



US00D418992S

# United States Patent [19]

Natuzzi et al.

[11] Patent Number: **Des. 418,992**

[45] Date of Patent: **\*\* Jan. 18, 2000**

[54] SEAT

[75] Inventors: **Pasquale Natuzzi; Domenico Abbruzzese**, both of Bari, Italy

[73] Assignee: **Industrie Natuzzi, SPA**, Bari, Italy

[\*\*] Term: **14 Years**

[21] Appl. No.: **29/102,204**

[22] Filed: **Mar. 19, 1999**

[51] **LOC (7) Cl.** ..... **06-01**

[52] **U.S. Cl.** ..... **D6/381; D6/334**

[58] **Field of Search** ..... **D6/334, 335, 336, D6/364, 371, 373, 381, 500, 501, 502; 297/232, 445.1**

## [56] References Cited

### U.S. PATENT DOCUMENTS

D. 90,917	10/1933	Lane	.....	D6/381
D. 349,414	8/1994	Friedman	.....	D6/381
D. 358,505	5/1995	Natuzzi et al.	.....	D6/381
D. 373,484	9/1996	Natuzzi et al.	.....	D6/381
D. 373,485	9/1996	Natuzzi et al.	.....	D6/381
D. 386,623	11/1997	Natuzzi et al.	.....	D6/381
D. 388,631	1/1998	Natuzzi et al.	.....	D6/381
D. 388,971	1/1998	Natuzzi et al.	.....	D6/381
D. 393,759	4/1998	Natuzzi et al.	.....	D6/381
D. 399,360	10/1998	Natuzzi et al.	.....	D6/381
D. 406,953	3/1999	Riboldi	.....	D6/381
D. 407,574	4/1999	Natuzzi et al.	.....	D6/381
D. 410,344	6/1999	Lewis et al.	.....	D6/381

### OTHER PUBLICATIONS

Natuzzi Model 161, at least as early as 1987, at International Home Furnishings Market in High Point, North Carolina.  
 Natuzzi Model 175, at least as early as 1987, at International Home Furnishings Market in High Point, North Carolina.  
 Natuzzi Model 197, Oct. 1987, at International Home Furnishings Market in High Point, North Carolina.  
 Natuzzi Model 464, Oct. 1988, at International Home Furnishings Market in High Point, North Carolina.  
 Natuzzi Model 499, Apr. 1989, at International Home Furnishings Market in High Point, North Carolina.

Natuzzi Model 616/617, Oct. 1988, at International Home Furnishings Market in High Point, North Carolina.  
 Natuzzi Model 667, Oct. 1991, at International Home Furnishings Market in High Point, North Carolina.  
 Natuzzi Model 764, Apr. 1990, at International Home Furnishing Market in High Point, North Carolina.  
 Natuzzi Model 769, Oct. 1990, at International Home Furnishings Market in High Point, North Carolina.  
 Natuzzi Model 782, at least as early as Apr. 1992, at International Home Furnishings Market in High Point, North Carolina.

(List continued on next page.)

*Primary Examiner*—Gary D. Watson

*Attorney, Agent, or Firm*—Alston & Bird LLP

## [57] CLAIM

The ornamental design for a seat, as shown and described.

### DESCRIPTION

FIG. 1 is a front perspective view of a seat showing a first embodiment of our new design in the form of a sofa;  
 FIG. 2 is a front elevational view thereof;  
 FIG. 3 is a top plan view thereof;  
 FIG. 4 is a right side elevational view, the left side being a mirror image thereof;  
 FIG. 5 is a rear perspective view thereof;  
 FIG. 6 is a front perspective view of a seat showing a second embodiment of our new design in the form of a sofa;  
 FIG. 7 is a front elevational view thereof;  
 FIG. 8 is a top plan view thereof;  
 FIG. 9 is a rear perspective view thereof;  
 FIG. 10 is a front elevational view of a seat showing our new design in the form of a loveseat; and,  
 FIG. 11 is a front elevational view of a seat showing our new design in the form of a chair.  
 The broken lines shown herein are for illustrative purposes only and form no part of the claimed design.  
 The rear views of FIGS. 10 and 11 are like FIG. 9, the difference being a matter of length.  
 The end views of FIGS. 6, 10 and 11 are like FIG. 4.  
 FIGS. 1, 5, 6 and 9 are shown on an enlarged scale with respect to the other views.

**1 Claim, 6 Drawing Sheets**



OTHER PUBLICATIONS

Natuzzi Model 845, at least as early as Apr. 1992, at International Home Furnishings Market in High Point, North Carolina.

Natuzzi Model 894, Apr. 1992, at International Home Furnishings Market in High Point, North Carolina.

Natuzzi Model 1068, Sep. 1993, at International Home Furnishings Market in High Point, North Carolina.

Natuzzi Model 1081, Sep. 1993, at International Home Furnishings Market in High Point, North Carolina.

Natuzzi Model 1090, Sep. 1993, at International Home Furnishings Market in High Point, North Carolina.

Natuzzi Model 1093, Sep. 1993, at International Home Furnishings Market in High Point, North Carolina.

Natuzzi Model 1117, Jan. 1994, at International Home Furnishings Market in High Point, North Carolina.

Natuzzi Model 1136, Apr. 1994, at International Home Furnishings Market in High Point, North Carolina.

Natuzzi Model 1140, Apr. 1994, at International Home Furnishings Market in High Point, North Carolina.

Natuzzi Model 1190, Apr. 1994, at International Home Furnishing Market in High Point, North Carolina.

Natuzzi Model 1264, Mar. 1995, at International Home Furnishings Market in High Point, North Carolina.

Natuzzi Model 1257, Mar. 1995, at International Home Furnishings Market in High Point, North Carolina.

Natuzzi Model 1276, Mar. 1995, at International Home Furnishings Market in High Point, North Carolina.

Natuzzi Model 1395, Mar. 1996, at International Home Furnishings Market in High Point, North Carolina.

Natuzzi Model 1433, Mar. 1996, at International Home Furnishings Market in High Point, North Carolina.

Natuzzi Model 1502, Sep. 1996, at International Home Furnishings Market in High Point, North Carolina.

Natuzzi Model 1589, Apr. 1997, at International Home Furnishings Market in High Point, North Carolina.

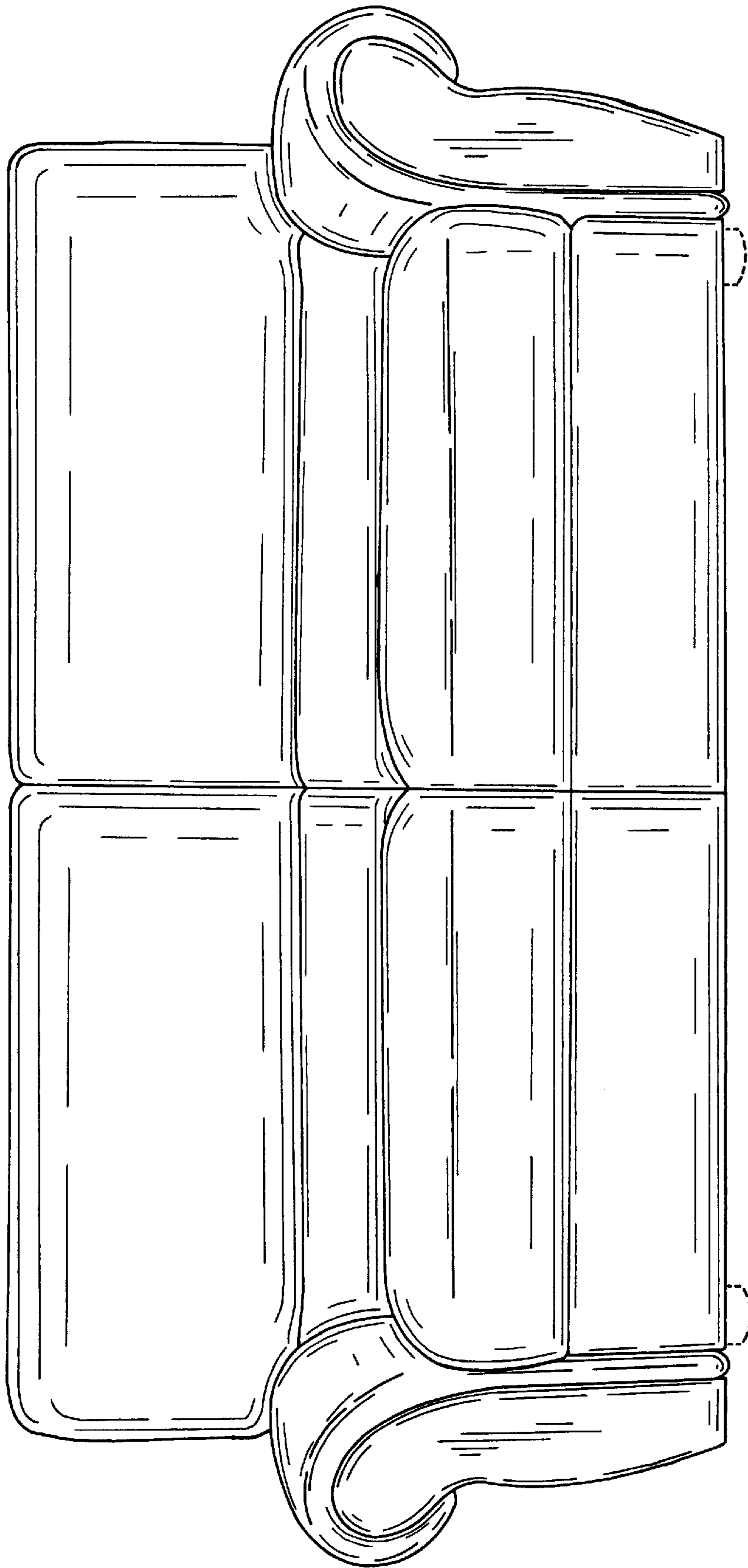


FIG. 1.





FIG. 2.

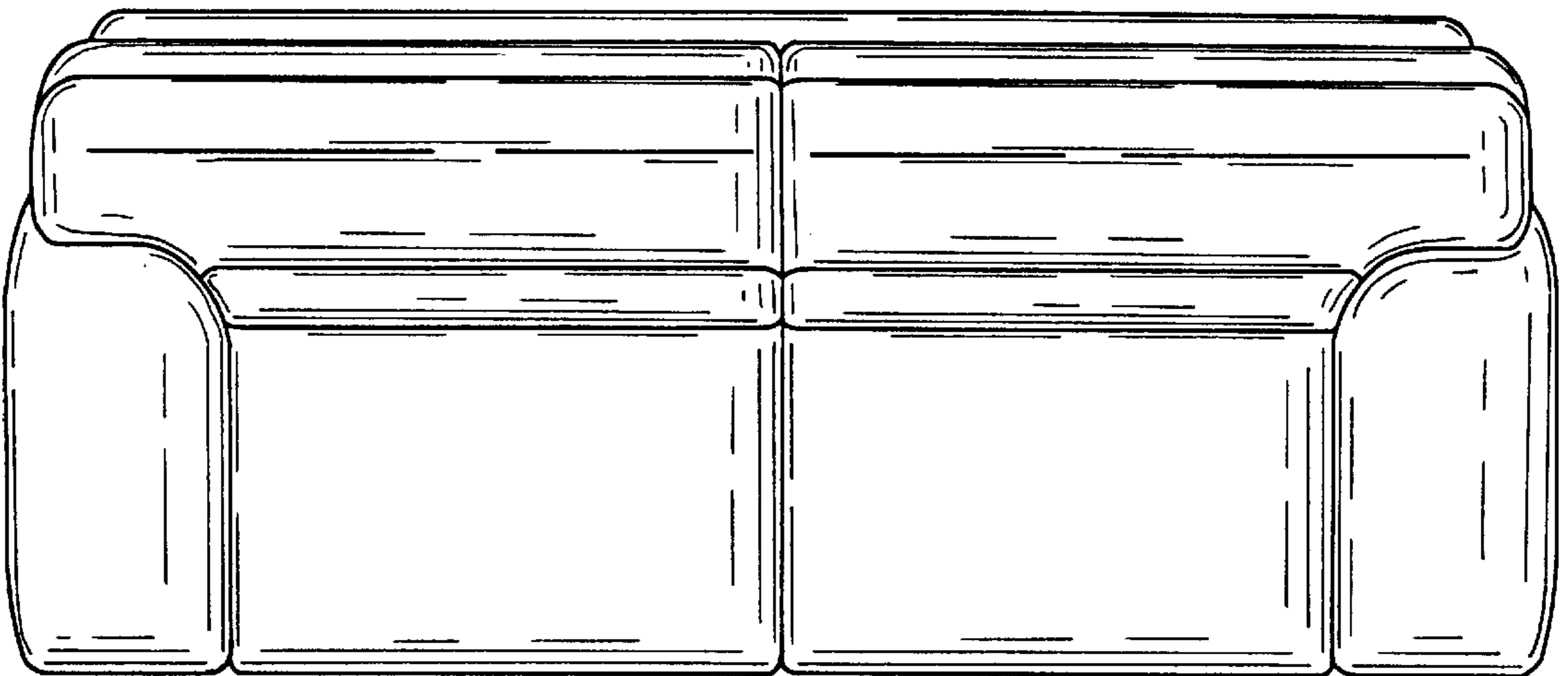


FIG. 3.

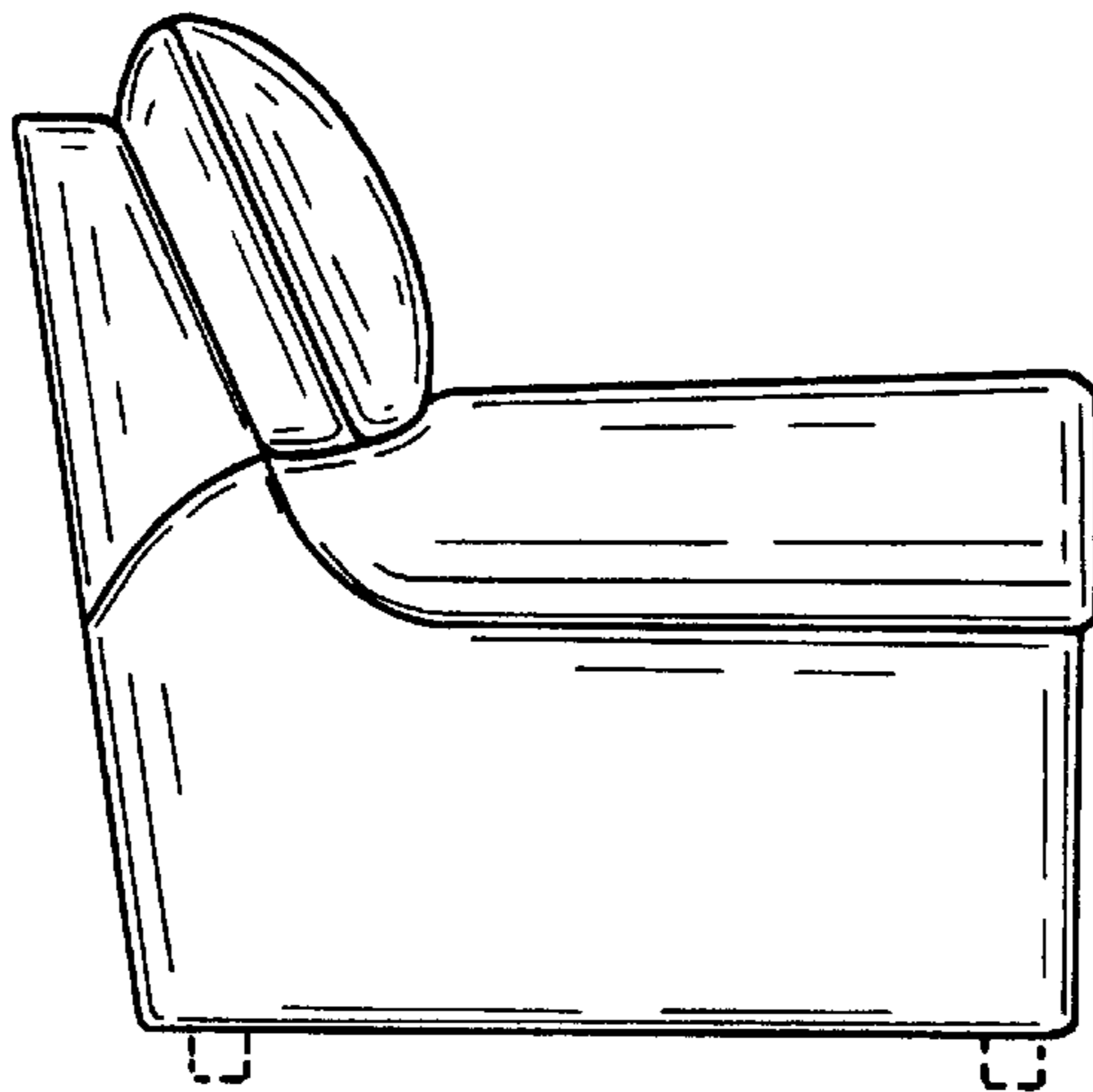


FIG. 4.

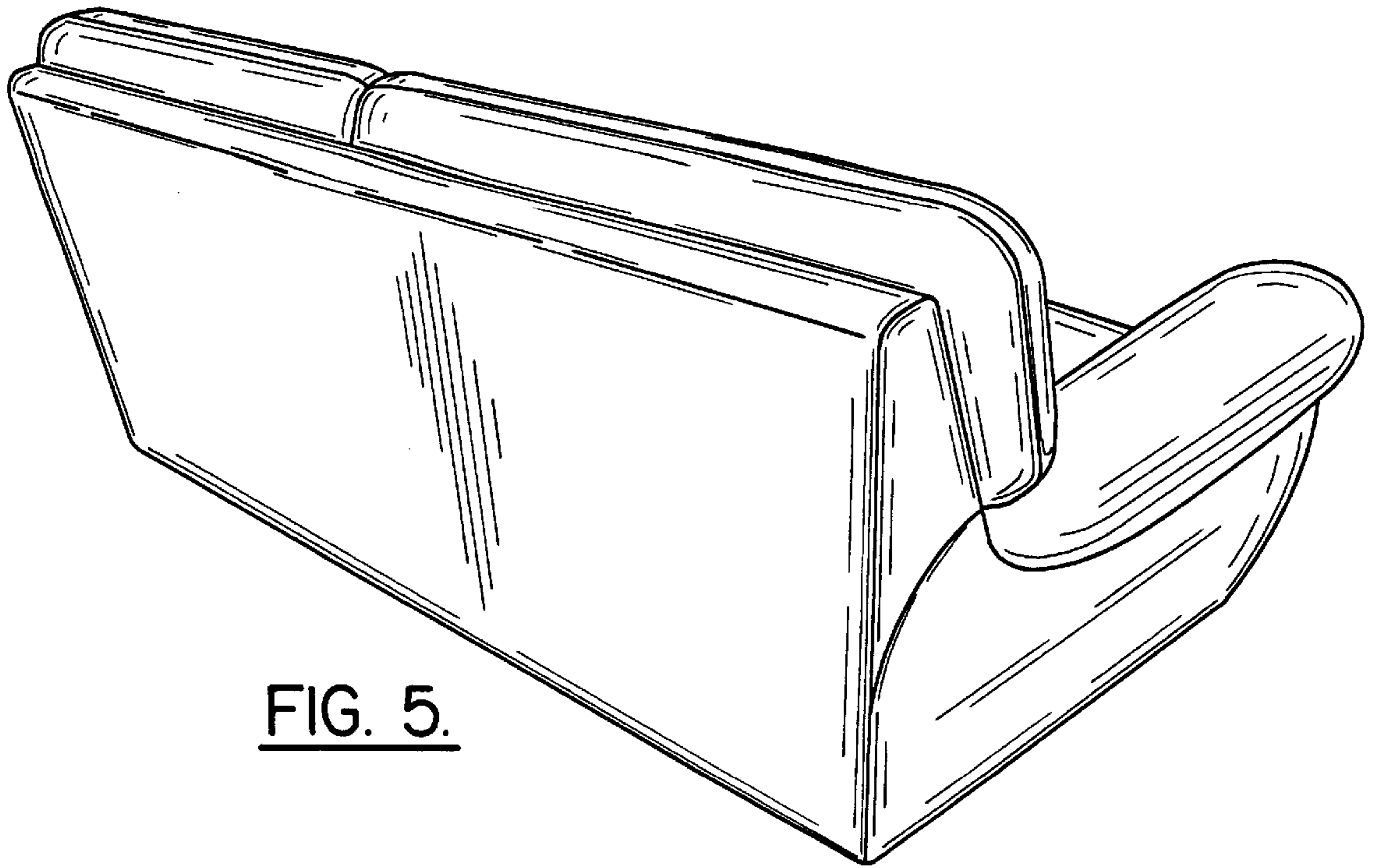


FIG. 5.

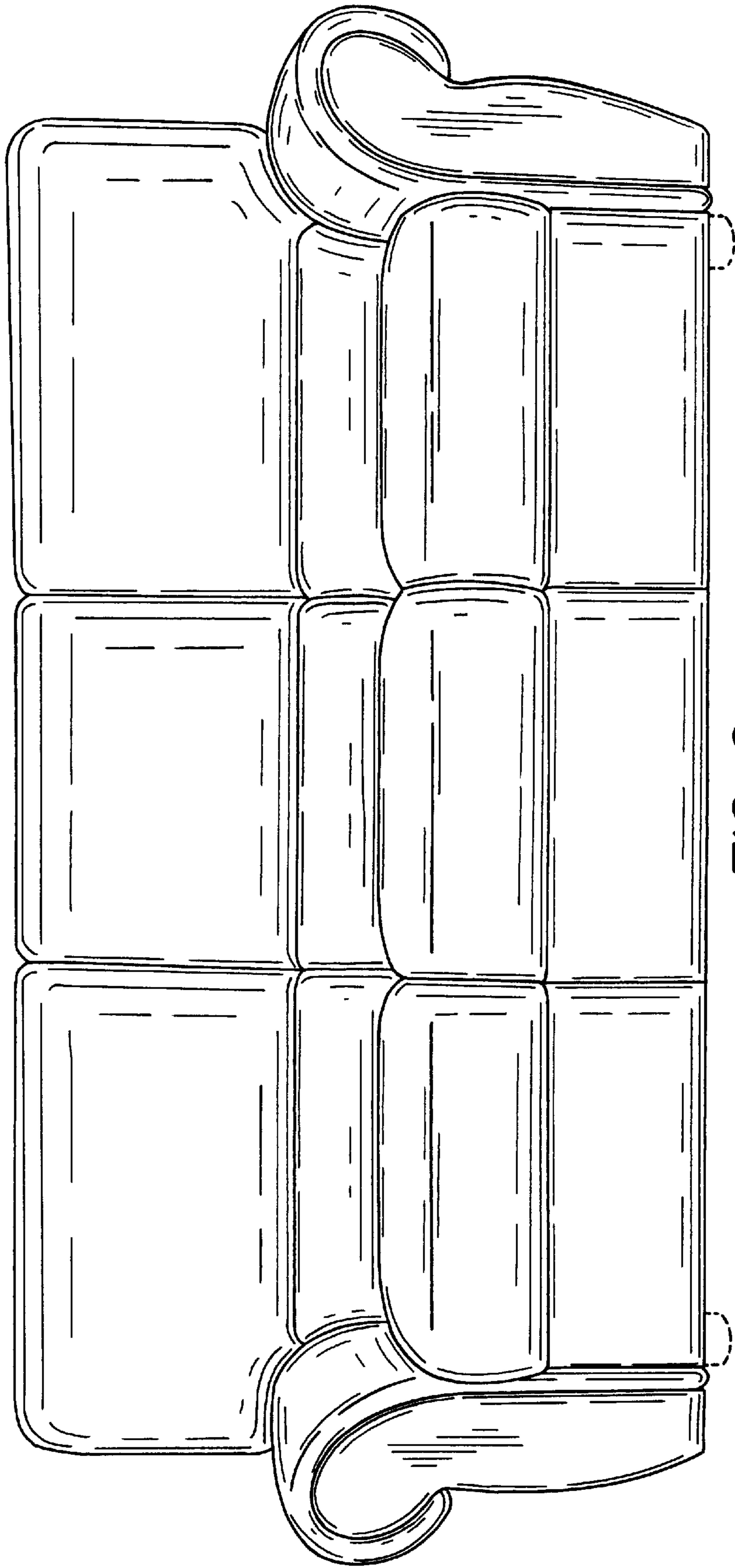


FIG. 6.

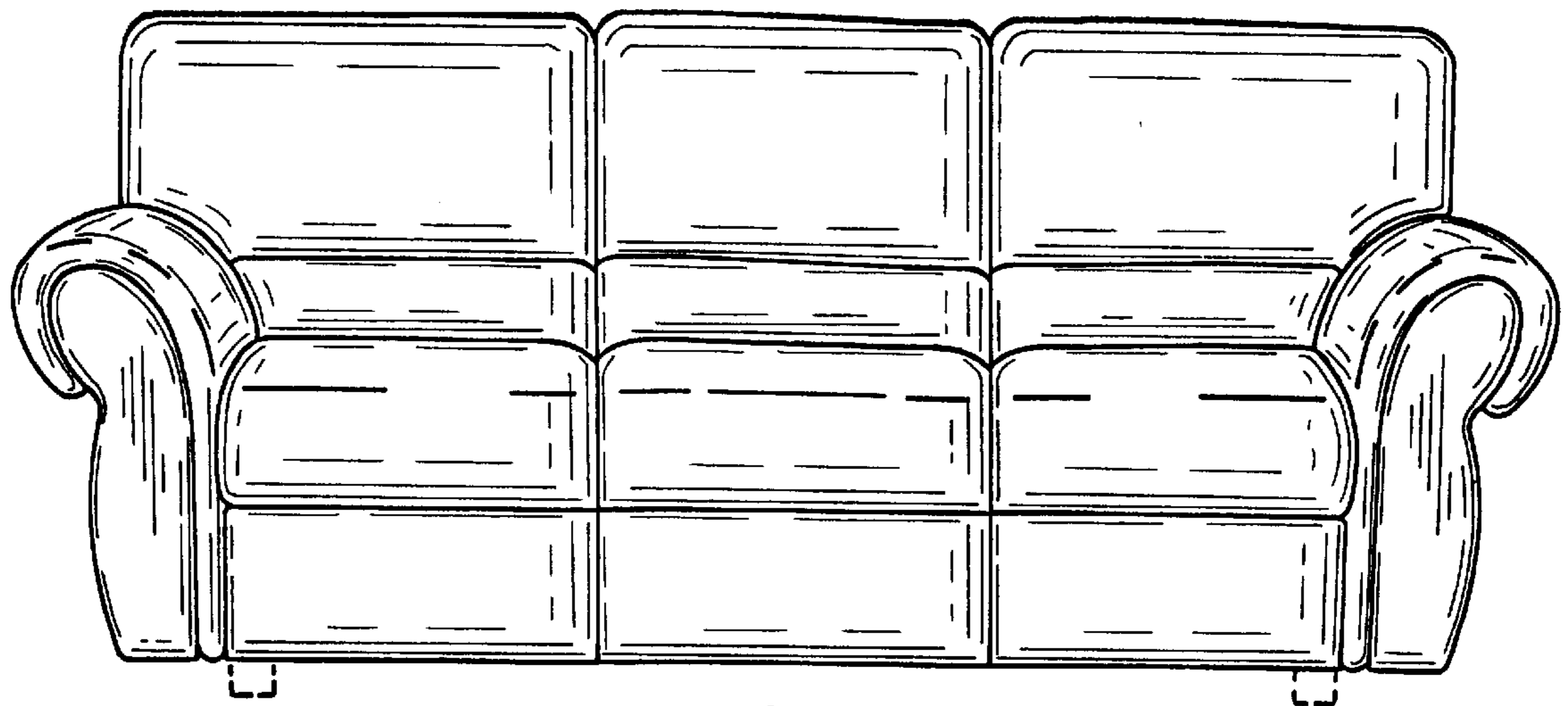


FIG. 7.

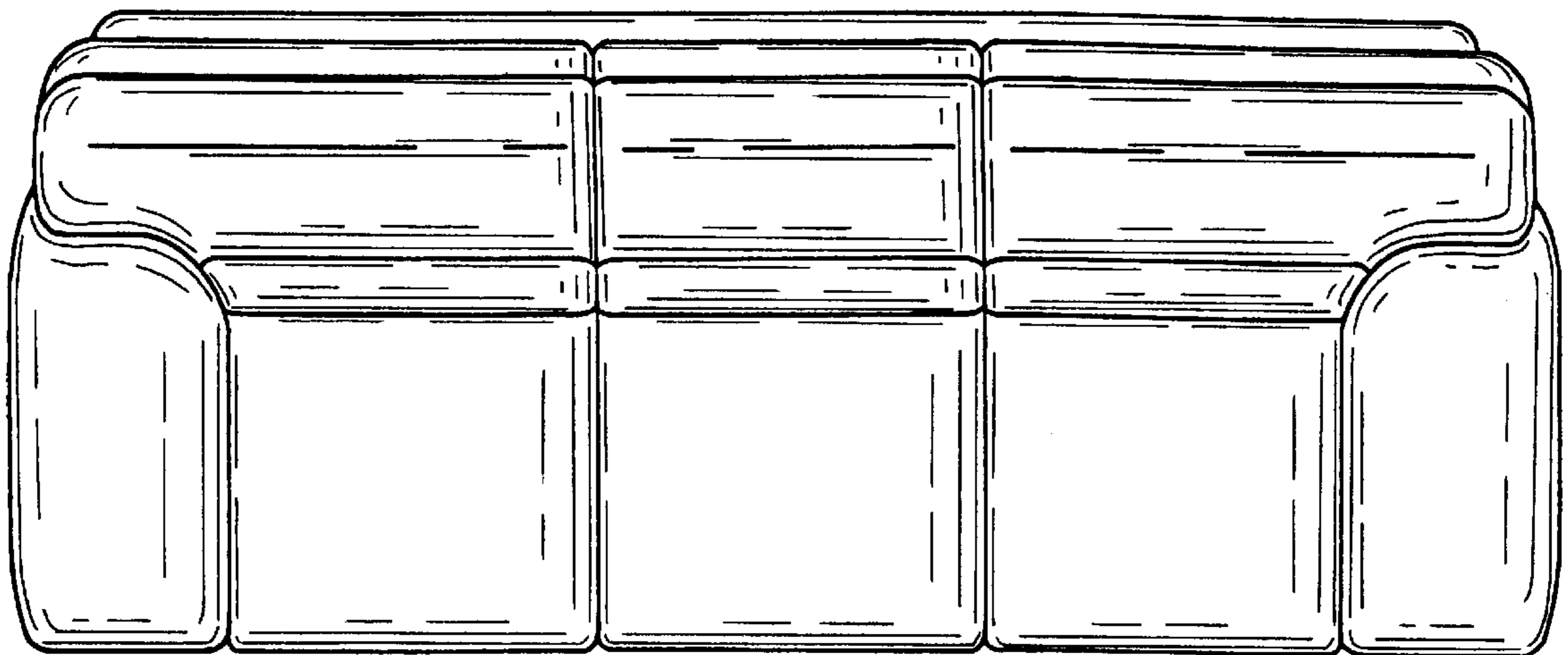


FIG. 8.

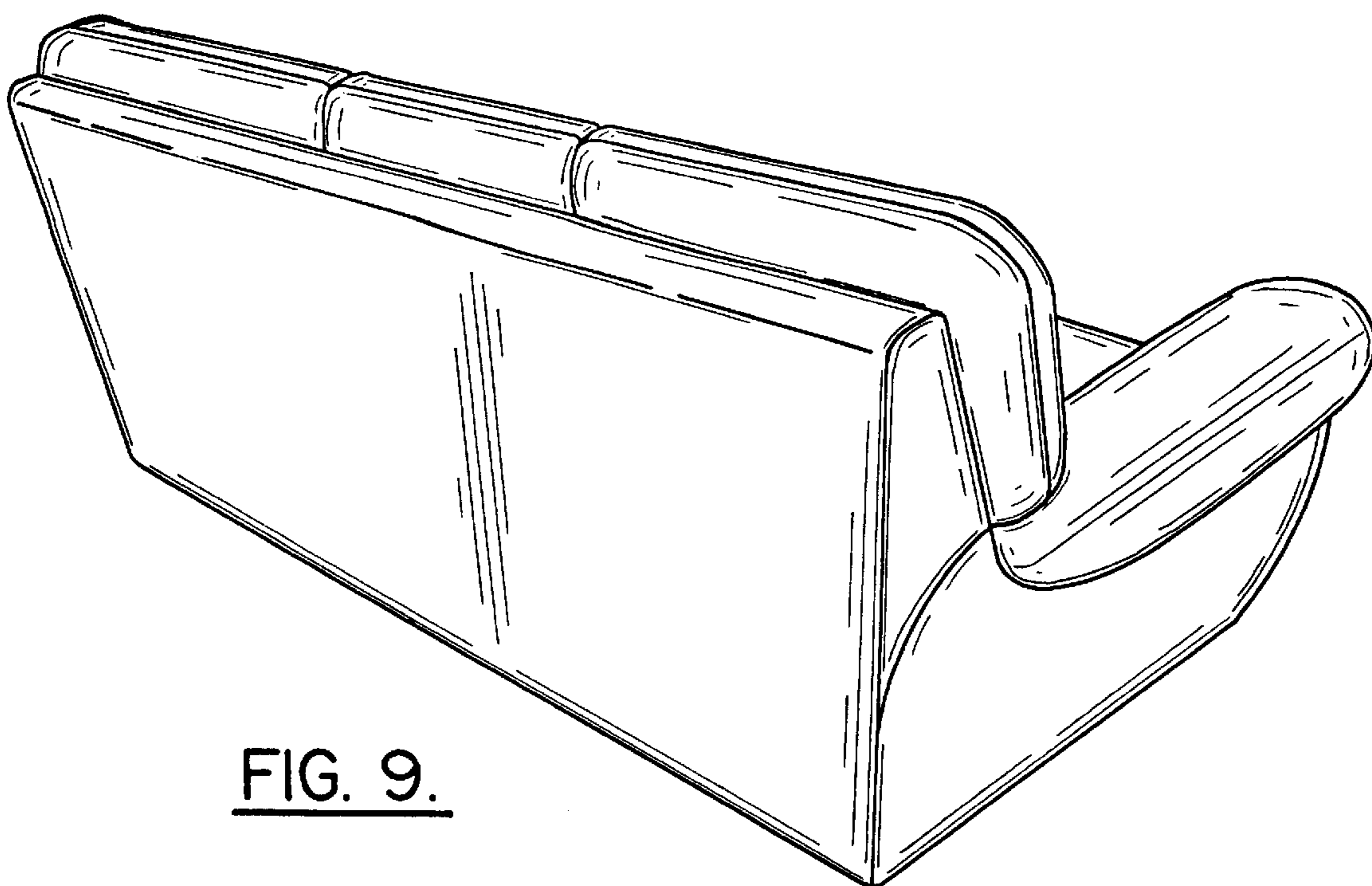


FIG. 9.

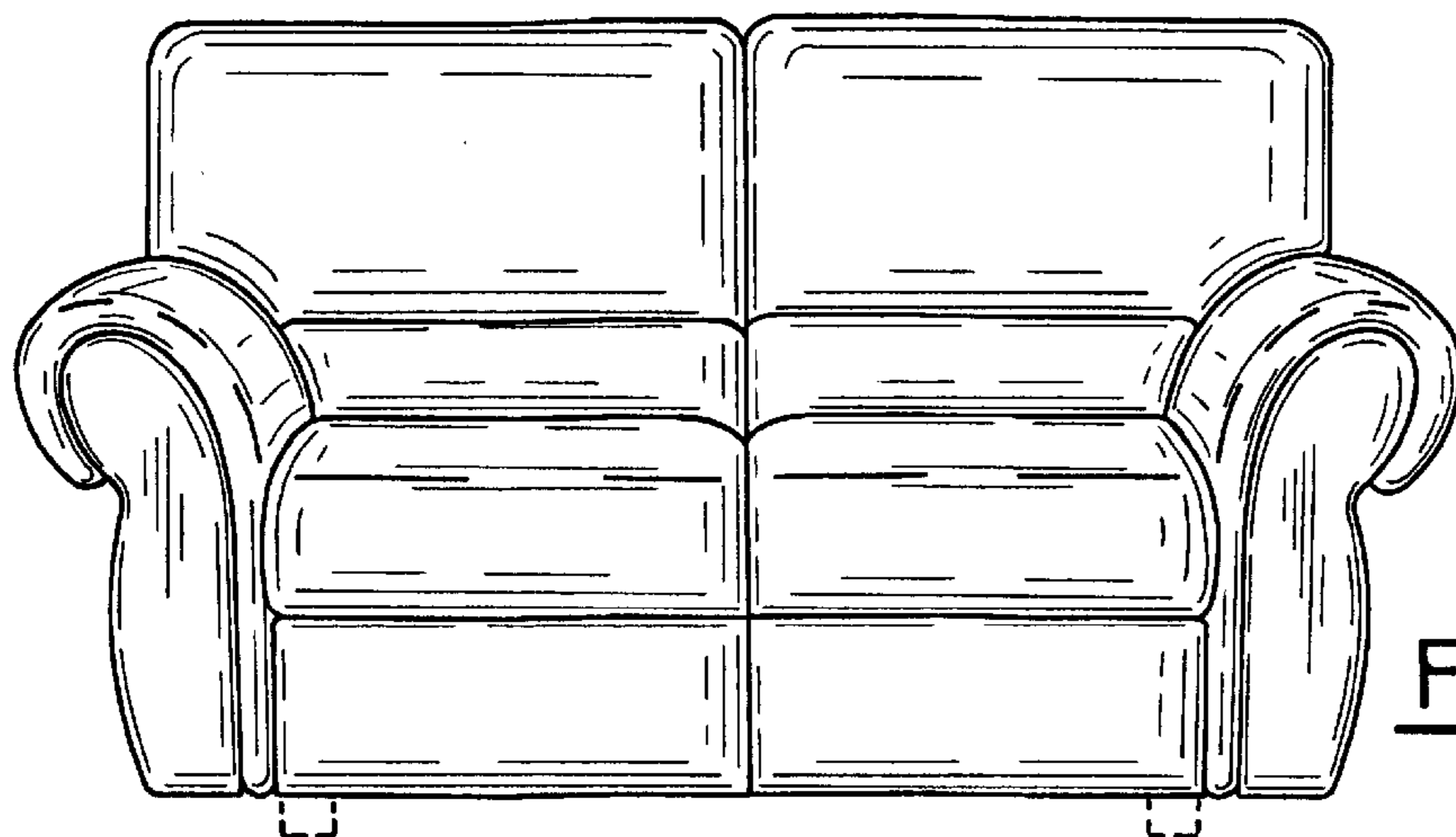


FIG. 10.

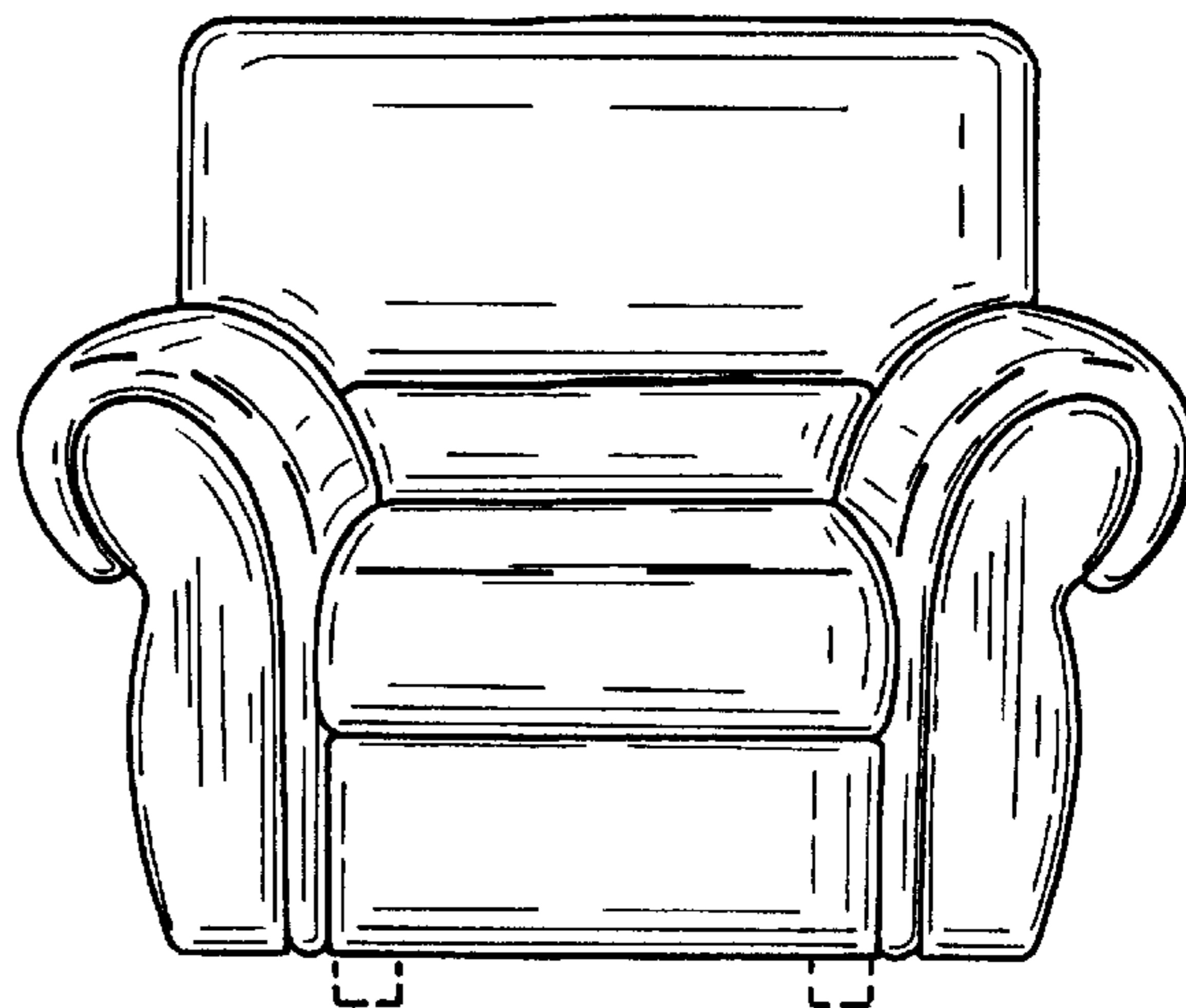


FIG. 11.