



US00D418988S

United States Patent [19] Shilling et al.

[11] **Patent Number: Des. 418,988**
[45] **Date of Patent: ** *Jan. 18, 2000**

[54] **DESIGN FOR A TABLE**

[75] Inventors: **Jerry L. Shilling**, Syracuse; **Michael R. Shilling**, Pierceton; **David A. Reichard**, Warsaw, all of Ind.

[73] Assignee: **Wabash Valley Manufacturing, Inc.**, Silver Lake, Ind.

[*] Notice: This patent is subject to a terminal disclaimer.

[**] Term: **14 Years**

[21] Appl. No.: **29/092,714**

[22] Filed: **Aug. 25, 1998**

[51] **LOC (7) Cl. 06-01**

[52] **U.S. Cl. D6/337**

[58] **Field of Search D6/334, 337, 369, D6/370, 500, 501, 502; 297/157.1, 158.3**

[56] **References Cited**

U.S. PATENT DOCUMENTS

D. 165,710	1/1952	Currier et al. .	
D. 182,822	5/1958	Kempner, Jr.	D6/337
D. 190,744	6/1961	Guice	297/158.3
D. 209,758	1/1968	Blink	D6/337
D. 222,806	1/1972	Wise .	
D. 228,162	8/1973	Fink .	
D. 231,963	7/1974	May .	
D. 277,442	2/1985	Crowell .	
D. 327,778	7/1992	Crawford	D6/337
D. 327,779	7/1992	Jensen et al.	D6/337
D. 357,590	4/1995	Noll	D6/337
D. 360,536	7/1995	Pelletier	D6/337
2,917,108	12/1959	Moritz	297/158.3
3,758,152	9/1973	Lake .	
3,847,424	11/1974	Nielsen .	
3,910,631	10/1975	Inaba .	
4,023,859	5/1977	Hagenson .	
4,522,443	6/1985	Van Blankenburg .	
5,452,936	9/1995	Koehring .	

OTHER PUBLICATIONS

1998 "Plastisol" Coated Furniture Catalog, Wabash Valley Mfg., Inc.

Vinyl Coated Steel Recreational Furniture 1998 Catalog, Diversified Metal Fabricators, Inc.

Superior Line Outdoor/Indoor Furniture 1996 Catalog, Fusion Coatings, Inc.

Specializing in Vinyl Coated Steel Recreational Furniture Catalog, Diversified Metal Fabricators, Inc., 12th Edition, Jan., 1996.

Recreation Catalog, Ken Coat, Inc., Dec. 1, 1995.

Primary Examiner—Doris V. Coles

Assistant Examiner—Mimosa De

Attorney, Agent, or Firm—Bose McKinney & Evans

[57] **CLAIM**

The ornamental design for a table, as shown and described.

DESCRIPTION

FIG. 1 is a perspective view of a table, showing our new design;

FIG. 2 is a top view thereof showing the table;

FIG. 3 is a front view thereof;

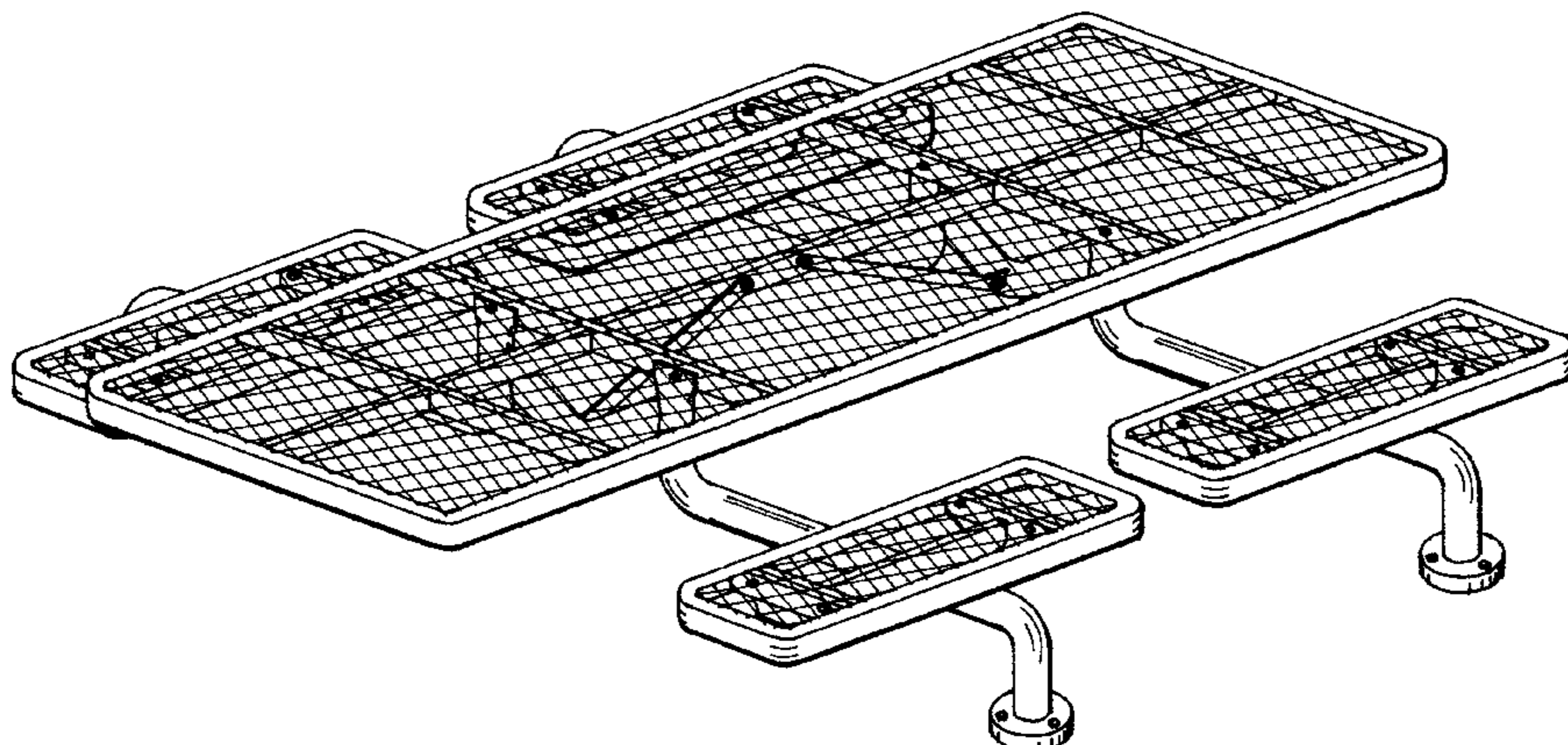
FIG. 4 is a right side elevational view thereof;

FIG. 5 is a bottom view thereof;

FIG. 6 is a rear elevational view thereof; and,

FIG. 7 is a left side elevational view thereof.

1 Claim, 4 Drawing Sheets



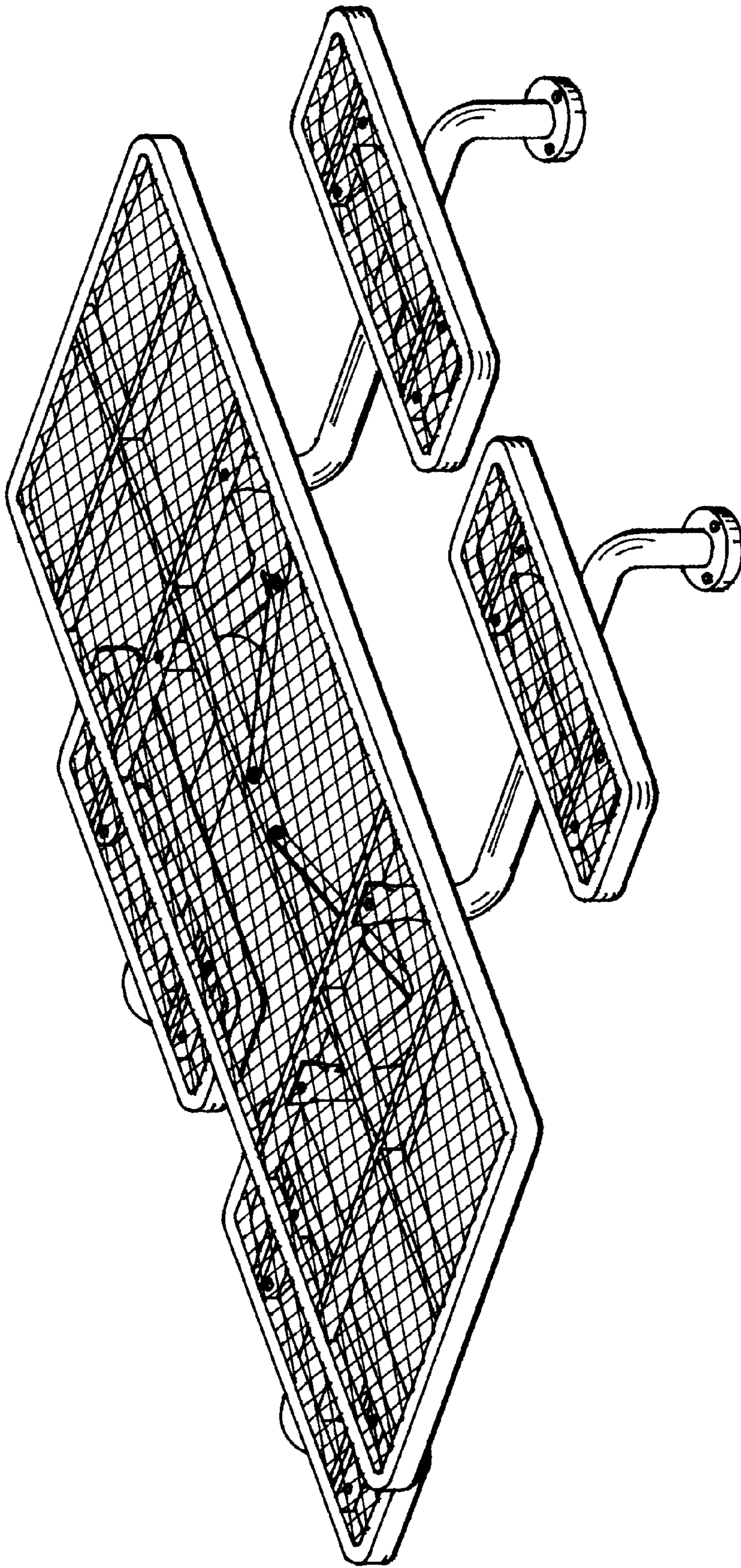


FIG. 1

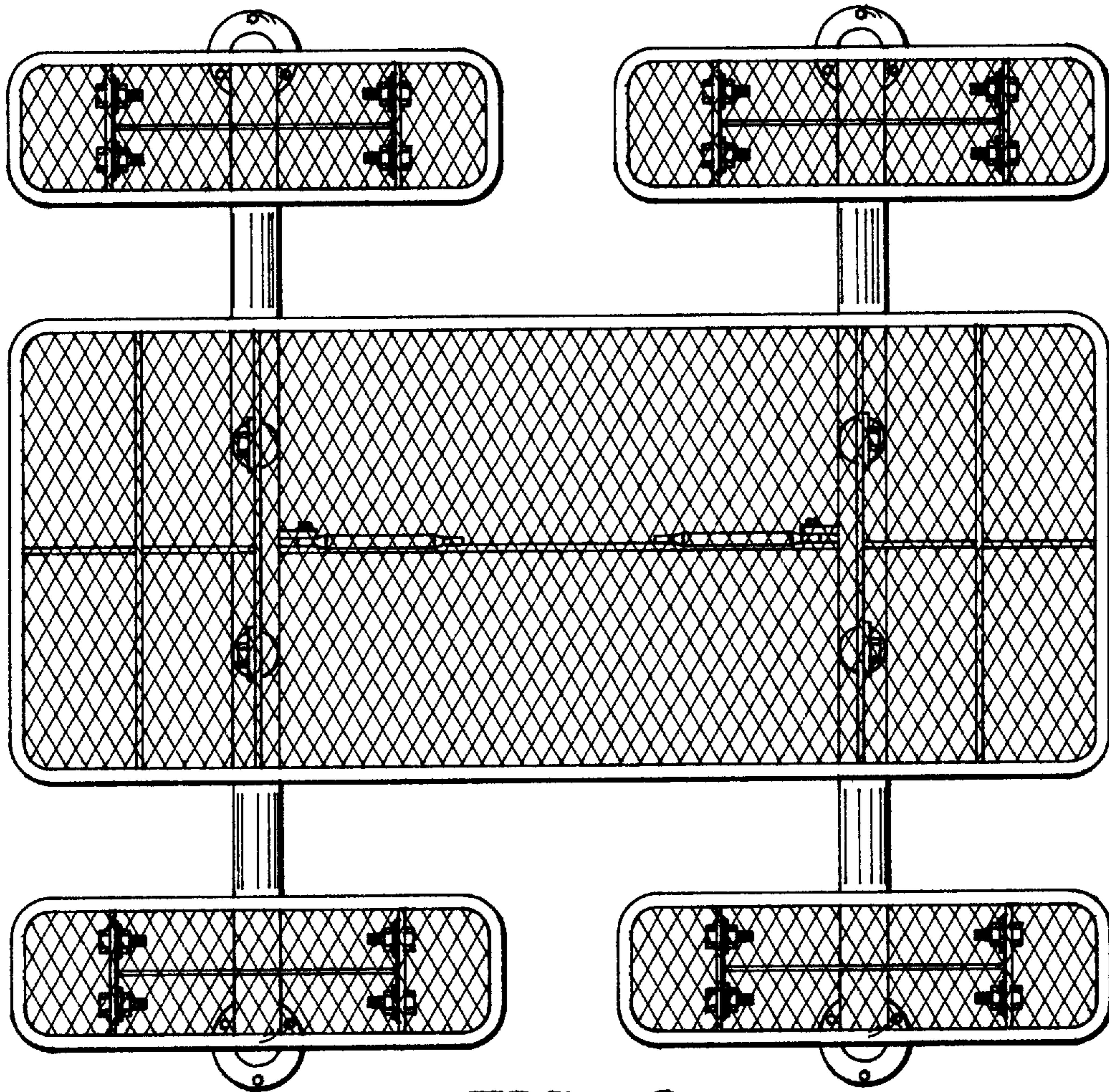


FIG. 2

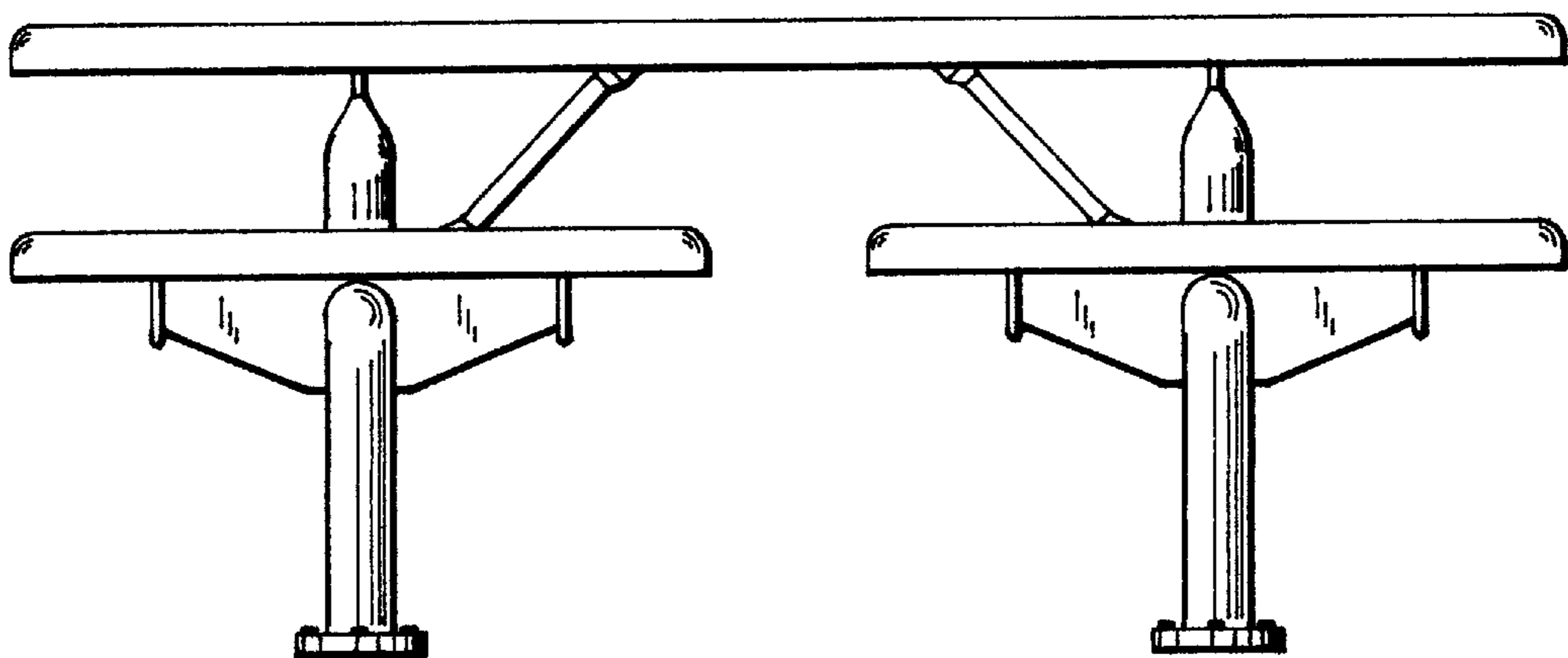


FIG. 3

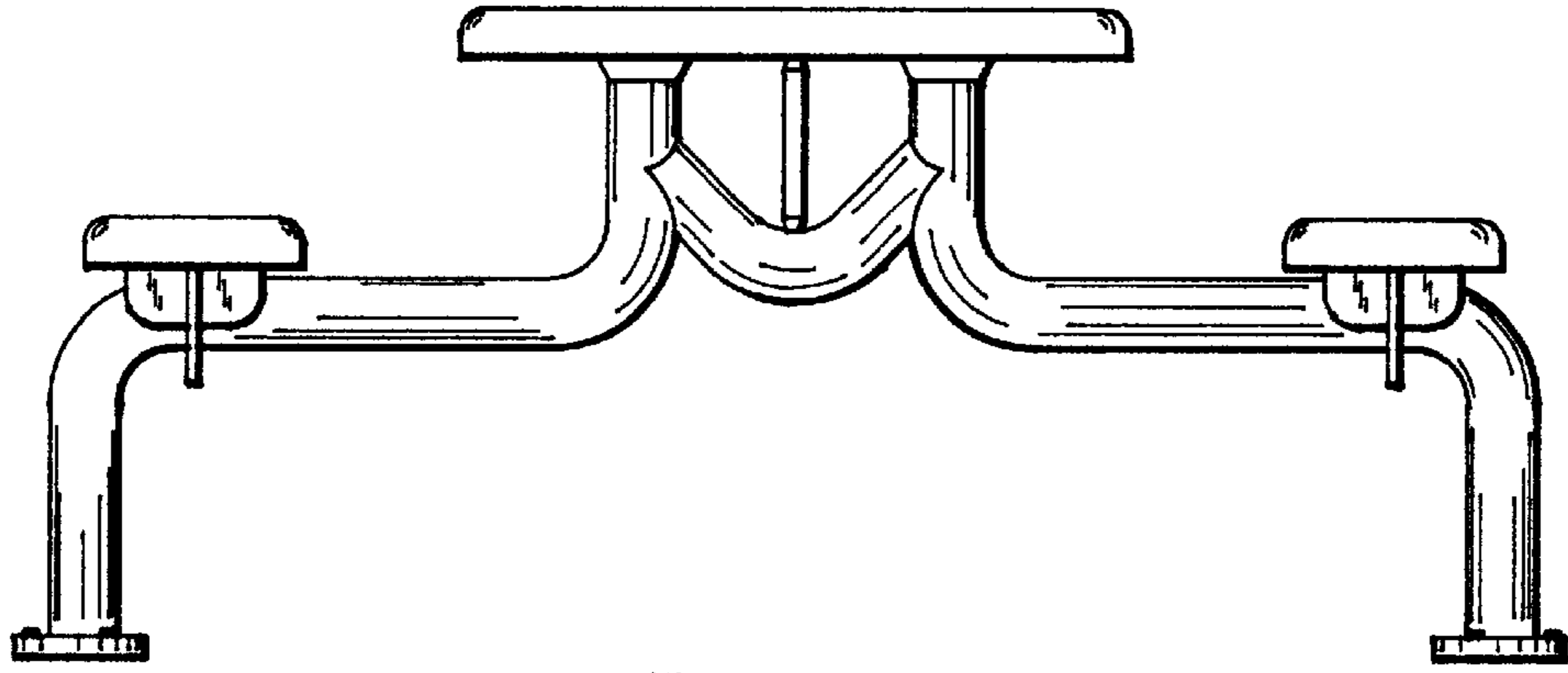


FIG. 4

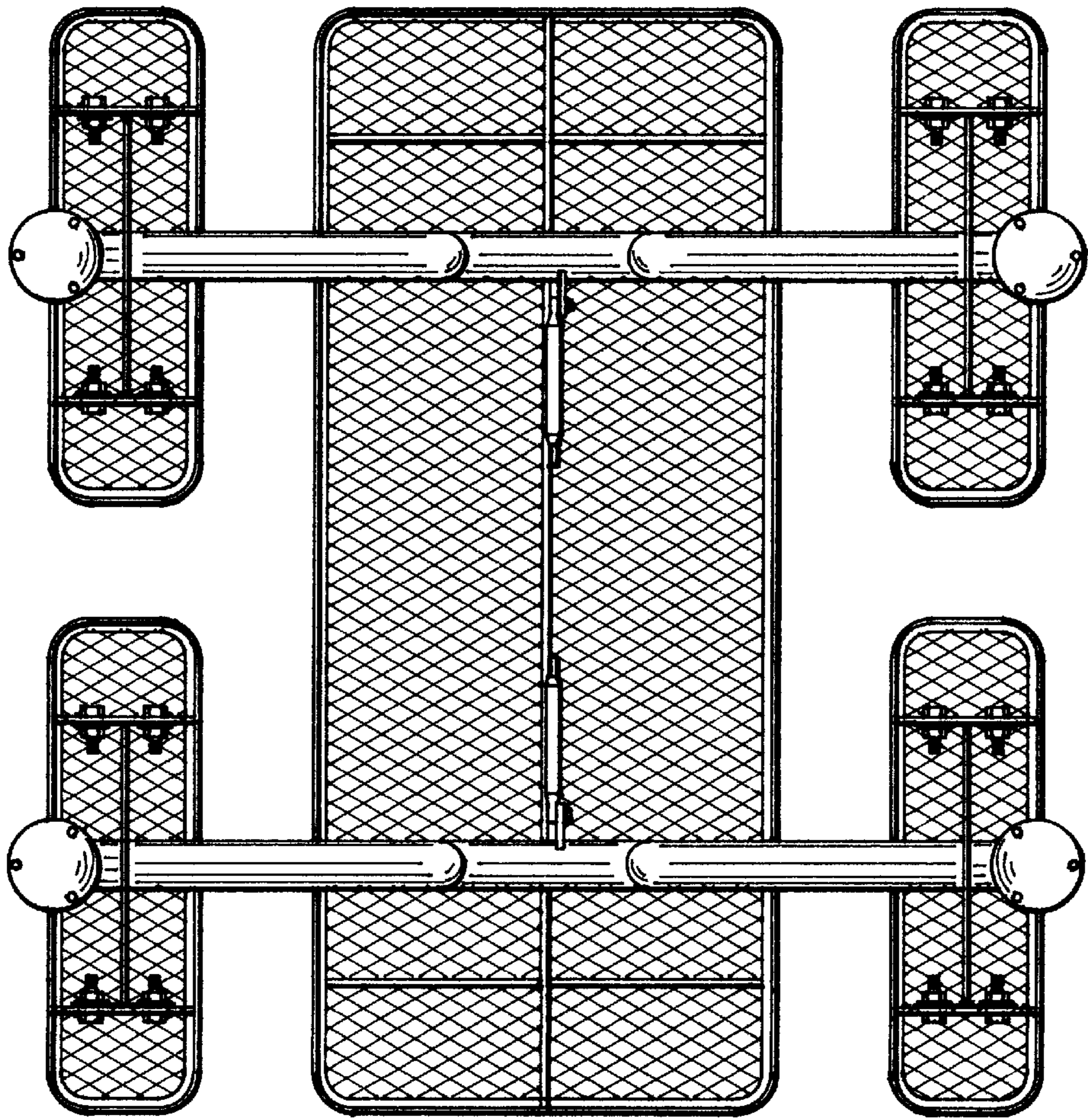


FIG. 5

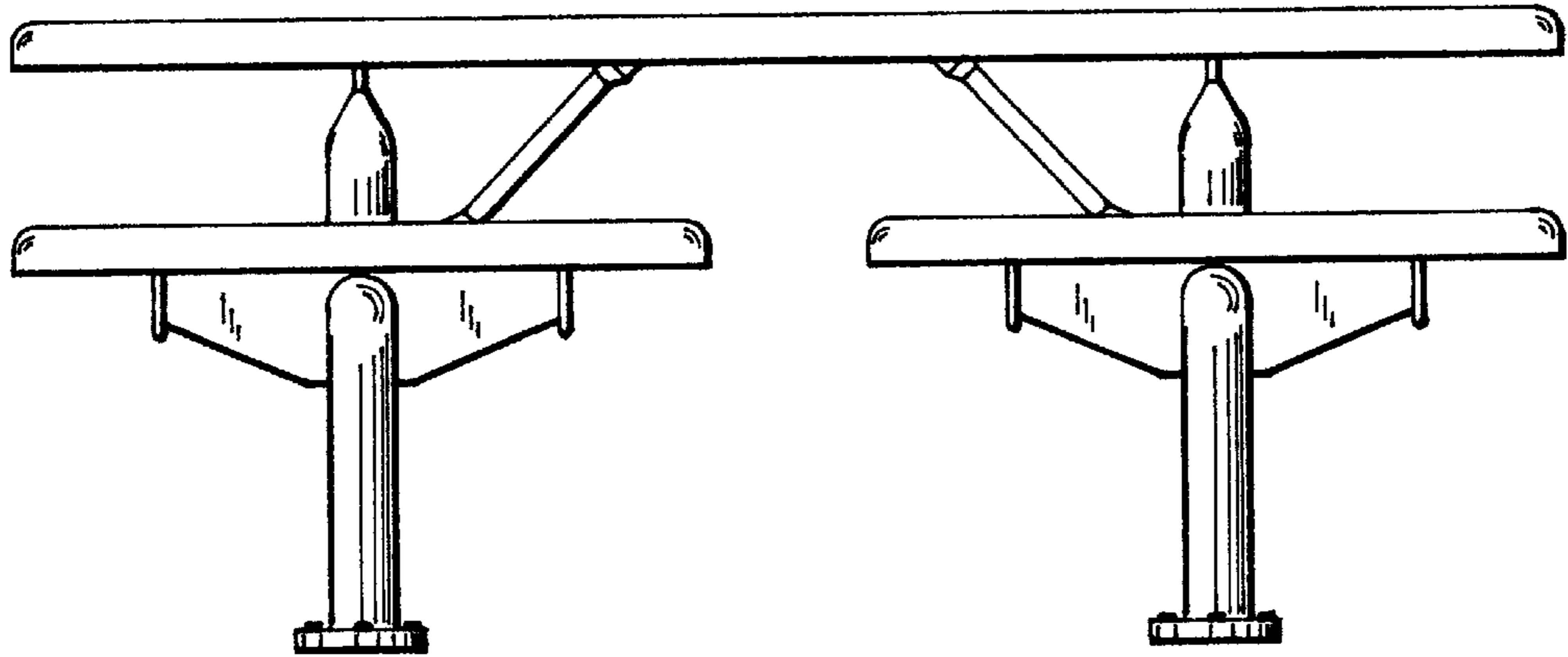


FIG. 6

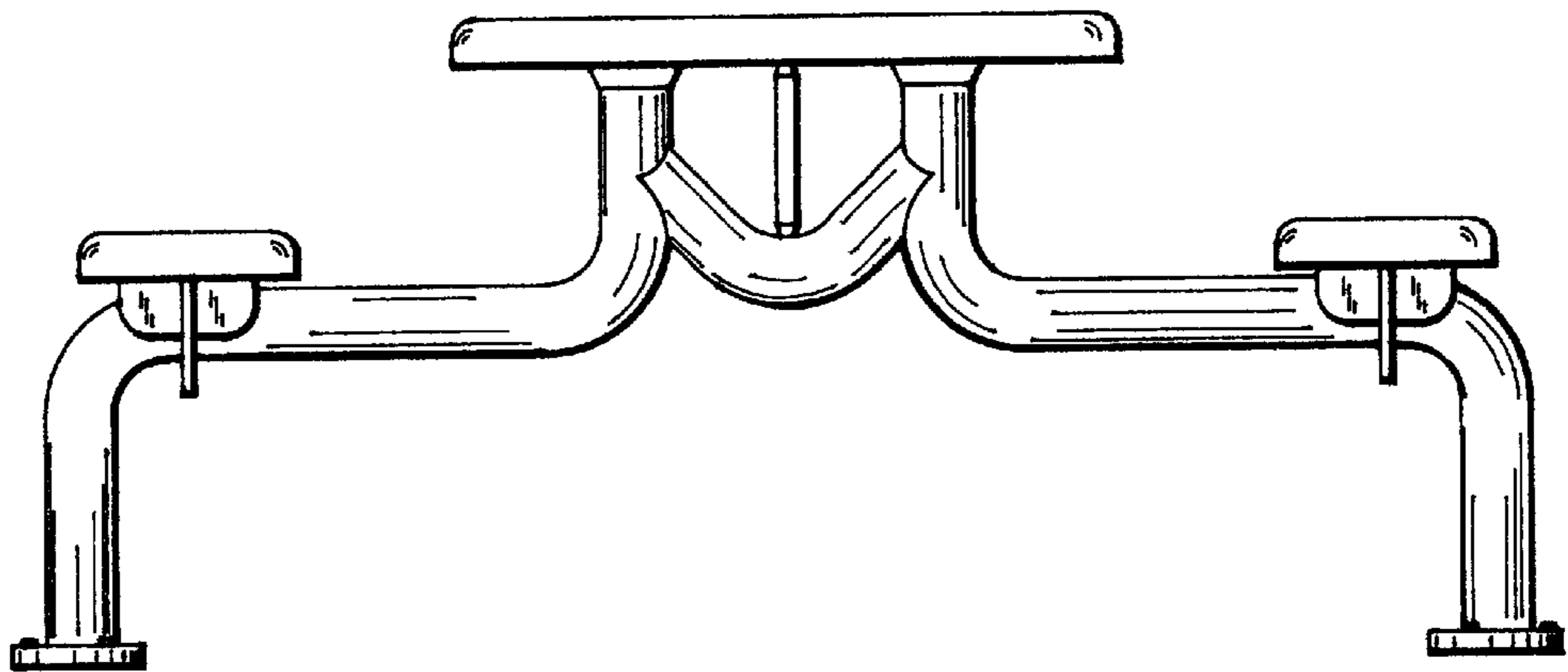


FIG. 7