



US00D418984S

United States Patent [19] Koconis

[11] Patent Number: **Des. 418,984**

[45] Date of Patent: **** Jan. 18, 2000**

[54] **PICTURE FRAME**

[76] Inventor: **James Christopher Koconis**, 342 E. Ward St., Milwaukee, Wis. 53207

[**] Term: **14 Years**

[21] Appl. No.: **29/093,698**

[22] Filed: **Sep. 17, 1998**

[51] **LOC (7) Cl.** **06-07**

[52] **U.S. Cl.** **D6/314; D6/300**

[58] **Field of Search** D6/300-303, 310-312, D6/314; 40/626, 661, 700, 711, 718, 722, 745, 765, 771, 772, 775, 780, 790, 798, 799, 800, 737, 773, 781; D20/40

[56] **References Cited**

U.S. PATENT DOCUMENTS

D. 224,877	10/1972	Fendrick	D6/300
329,925	11/1885	Markinsky	.	
D. 365,535	12/1995	Muckler	D11/132
D. 389,323	1/1998	Buchert et al.	D6/314
2,998,126	8/1961	Jenkins	D6/302
3,384,987	5/1968	Prechtl	40/152.1
3,916,549	11/1975	Storch et al.	40/152.1
4,211,022	7/1980	Angelakos	40/152.1
4,310,976	1/1982	Wilten	40/737
4,583,639	4/1986	Fedick et al.	206/325

4,776,462	10/1988	Kosugi et al.	206/334
4,879,682	11/1989	Galloway	40/152.1
4,991,328	2/1991	Rousseau et al.	40/155
5,020,251	6/1991	Cheng	40/152.1
5,353,934	10/1994	Yamauchi	206/454
5,447,233	9/1995	Smith	206/453
5,586,401	12/1996	Sheehan et al.	40/737
5,678,691	10/1997	Amado-Aguilar et al.	206/451

Primary Examiner—Janice E. Seeger
Attorney, Agent, or Firm—Ostrager Chong Flaherty & Onofrio, P.C.

[57] **CLAIM**

The ornamental design for a picture frame, as shown and described.

DESCRIPTION

FIG. 1 is a front, top, and left side perspective view of the picture frame of the invention, shown hanging on a wall with picture disposed therein; FIG. 2 is a right side elevational view thereof; FIG. 3 is a bottom plan view thereof; and, FIG. 4 is a rear plan view thereof. The broken lines showing a wall and picture in FIG. 1, hanger and hook in FIG. 2, and hanger in FIGS. 3 and 4 are for illustrative purposes only and form no part of the claimed design.

1 Claim, 2 Drawing Sheets

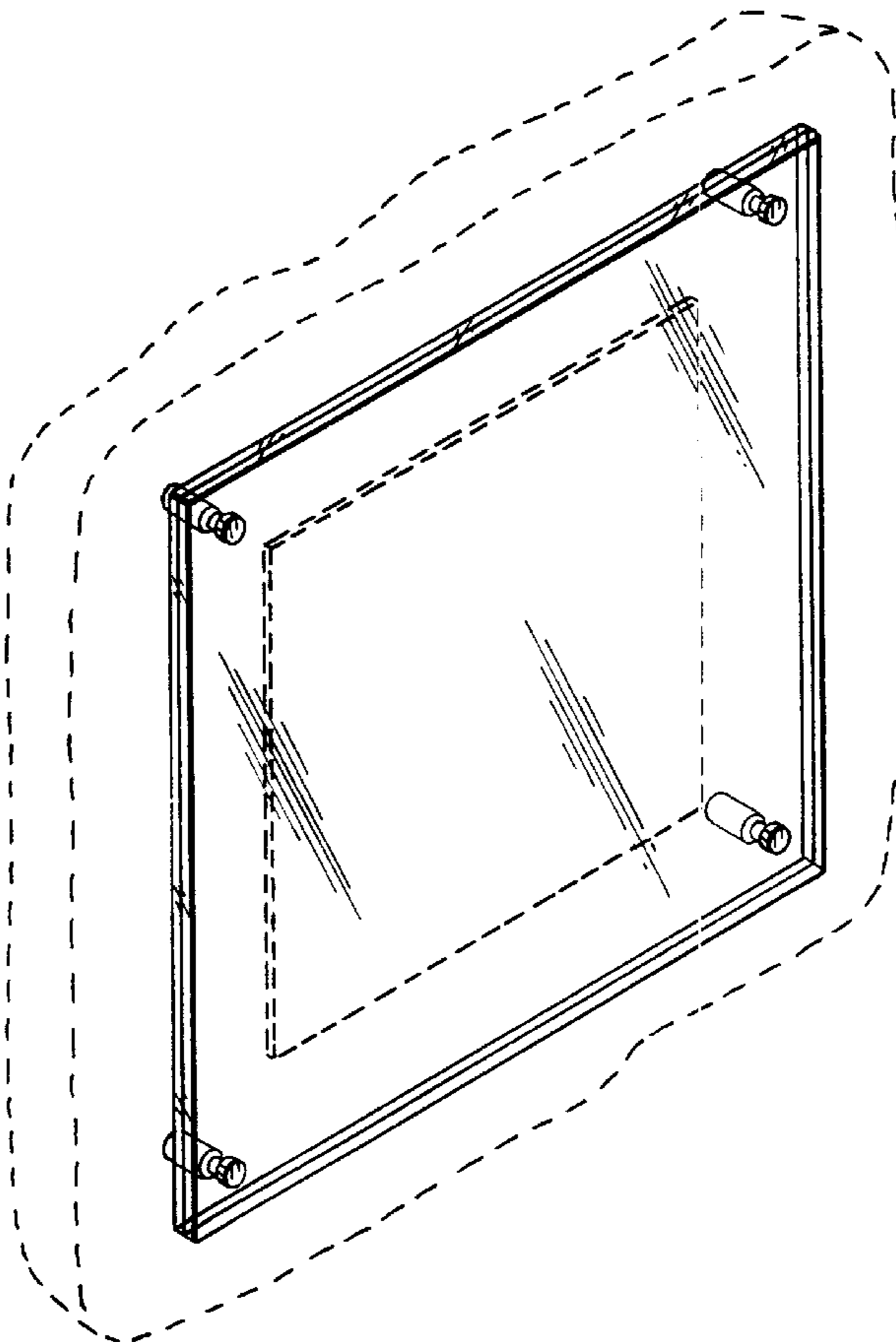


FIG. 1

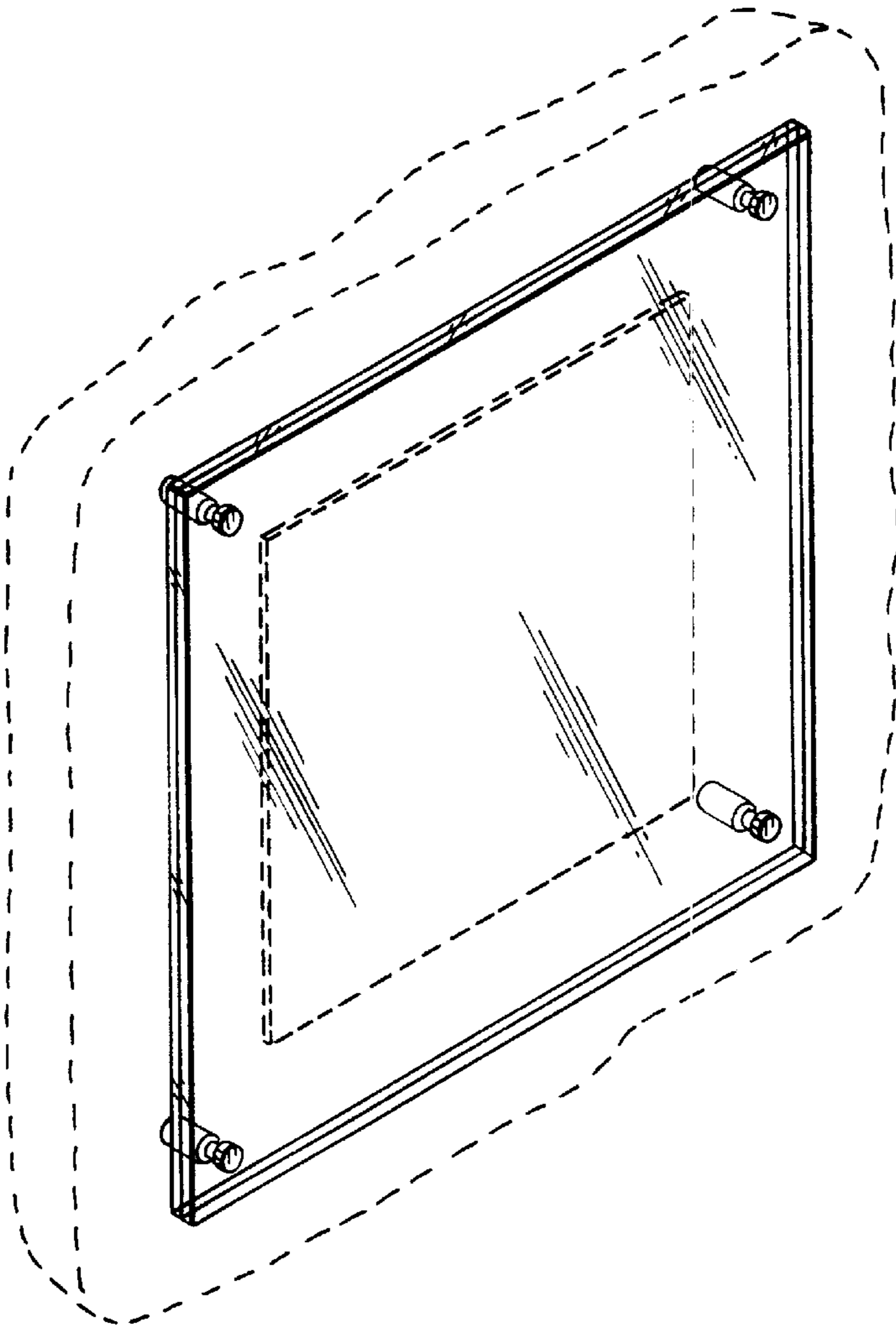


FIG. 2

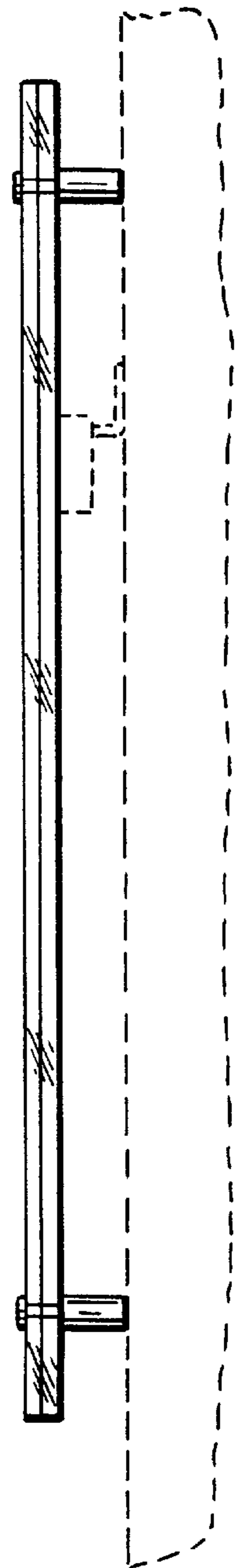


FIG. 3

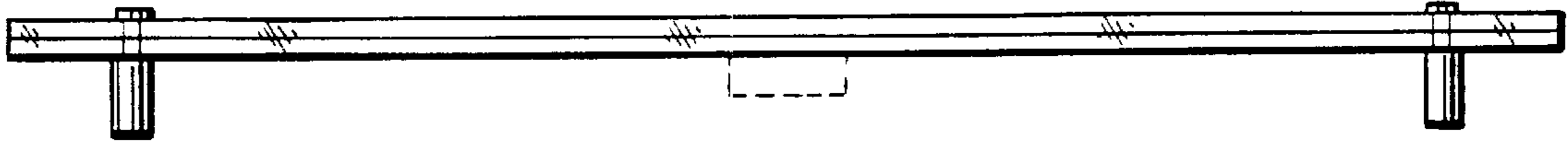
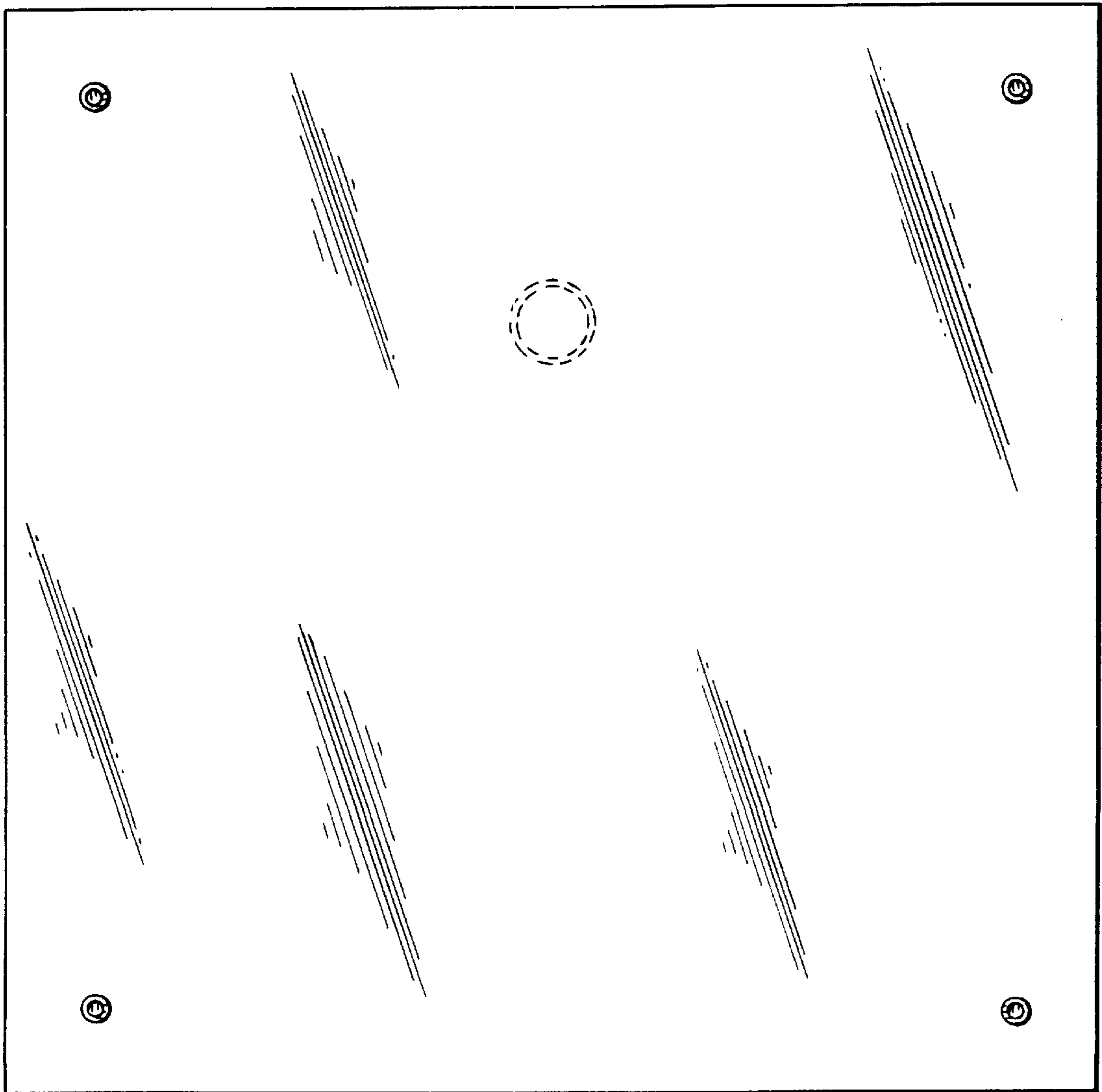


FIG. 4



UNITED STATES PATENT AND TRADEMARK OFFICE
CERTIFICATE OF CORRECTION


PATENT NO. : Des. 418,984
DATED : January 18, 2000
INVENTOR(S): James Christopher Koconis

It is certified that error appears in the above-identified patent and that said Letters Patent are hereby corrected as shown below:

Title page Col. 2, line 2: Replace "4,879,682" with
-- 4,879,824 --.

Page 1, Col. 2, line 23: Replace "hanger and hook
in FIG. 2" with -- wall, hanger and hook in FIG. 2 --.

Signed and Sealed this
Tenth Day of April, 2001



NICHOLAS P. GODICI

Attest:

Attesting Officer

Acting Director of the United States Patent and Trademark Office