



US00D418977S

**United States Patent** [19]  
**Streich**

[11] **Patent Number: Des. 418,977**  
[45] **Date of Patent: \*\* Jan. 18, 2000**

[54] **TOOL CONTAINER**

[75] Inventor: **John P. Streich**, Towson, Md.

[73] Assignee: **Black & Decker Inc.**, Newark, Del.

[\*\*] Term: **14 Years**

[21] Appl. No.: **29/092,266**

[22] Filed: **Aug. 14, 1998**

[51] **LOC (7) Cl.** ..... **03-01**

[52] **U.S. Cl.** ..... **D3/273; D3/905; D3/294**

[58] **Field of Search** ..... **D3/273, 282, 294, D3/905; D9/420, 423, 424; 206/349, 372, 373, 315.1; 190/110, 111, 112, 113**

[56] **References Cited**

**U.S. PATENT DOCUMENTS**

D. 178,627	9/1956	Baratelli .	
D. 221,317	7/1971	Muller .	
D. 229,366	11/1973	Yonce .	
D. 264,396	5/1982	Harvey et al. ....	D3/294
D. 269,648	7/1983	Wilcox et al. .	
D. 287,906	1/1987	Tsuji et al. ....	D3/294
D. 291,946	9/1987	Dottori et al. .	
D. 311,644	10/1990	Chapin .....	D3/905
D. 314,669	2/1991	Kunimune .	
D. 328,189	7/1992	Hillinger .....	D3/282
D. 329,331	9/1992	Hobson .	
337,888	3/1886	Swan .	
D. 343,063	1/1994	Chen .....	D3/905
D. 343,120	1/1994	Lapsker et al. ....	D9/423
D. 345,650	4/1994	Boyd .....	D3/905
D. 347,114	5/1994	Tengvall .....	D3/905
D. 358,257	5/1995	Sidabras et al. ....	D3/282
D. 374,988	10/1996	Hillinger .....	D3/294
D. 379,715	6/1997	Yemini .....	D3/282
D. 382,115	8/1997	Chang .....	D3/282
D. 382,709	8/1997	Cuneo .....	D3/282
D. 385,109	10/1997	Staheli .....	D3/294
D. 394,952	6/1998	Wei .....	D3/273
470,567	3/1892	Hitch .	
498,455	5/1893	Bartlett .	

1,927,110	9/1933	Bannister et al. .	
2,487,174	11/1949	Petre .	
2,508,951	5/1950	Kazimier .	
2,601,101	6/1952	Derham .	
2,792,934	5/1957	Rocchetti .	
2,880,857	4/1959	Parsons et al. .	
3,018,876	1/1962	Huot .	
3,276,847	10/1966	Duff et al. .	
3,367,483	2/1968	Studen .	
3,370,697	2/1968	Levey et al. .	
3,426,890	2/1969	Bayer .	
3,583,556	6/1971	Wagner .	
3,904,034	9/1975	Saunders .	
4,048,051	9/1977	Gretz .	
4,340,140	7/1982	Wilcox et al. .	
4,489,830	12/1984	Charlebois et al. .	
4,576,307	3/1986	Frydenberg .	
4,615,464	10/1986	Byrns .	
5,031,768	7/1991	Fischer .....	206/370
5,056,661	10/1991	Balzano .....	206/372
5,133,455	7/1992	Chow .....	206/374

(List continued on next page.)

*Primary Examiner*—Philip S. Hyder  
*Attorney, Agent, or Firm*—Harness, Dickey & Pierce, P.L.C.

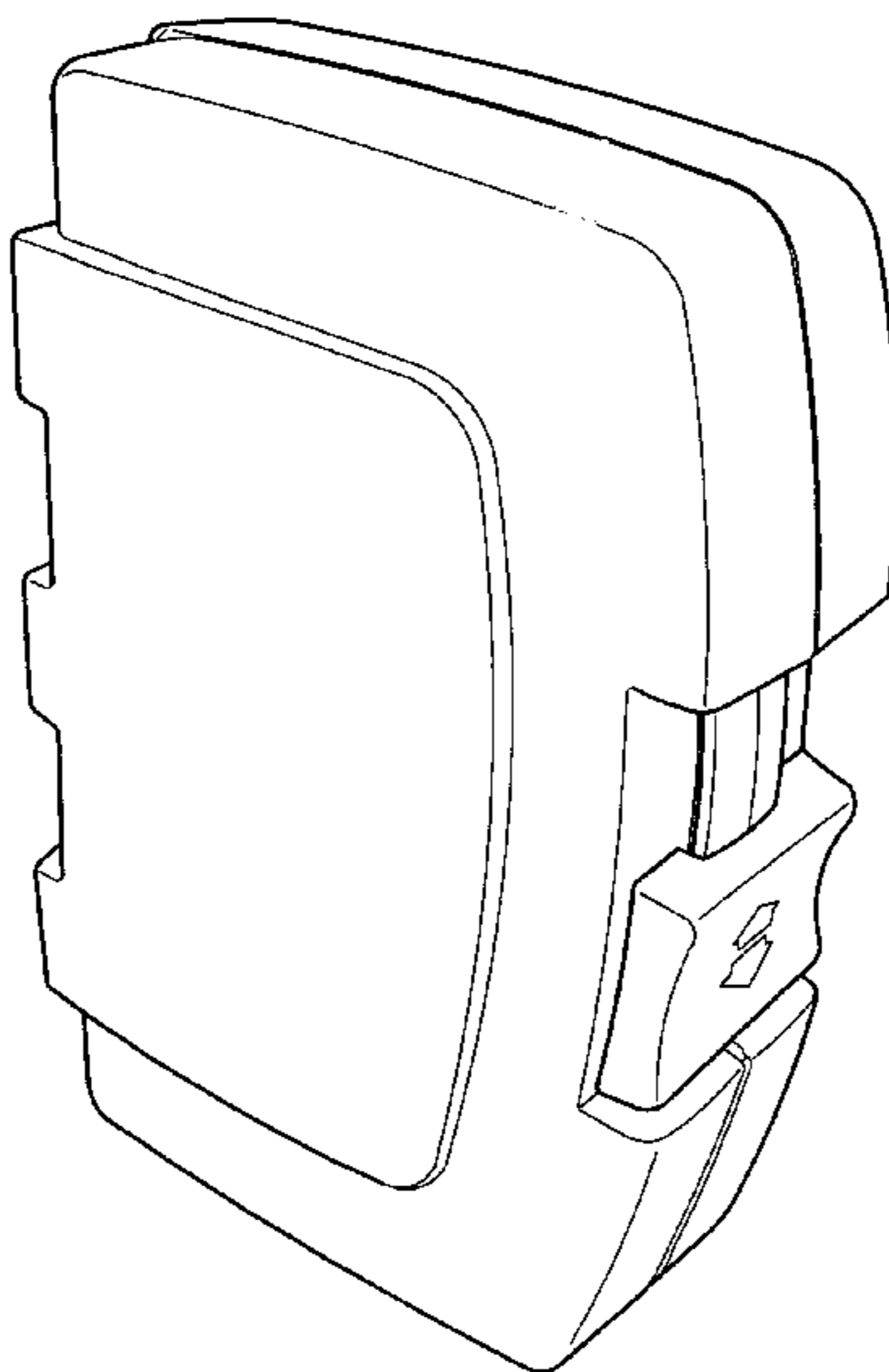
[57] **CLAIM**

The ornamental design for a tool container, as shown and described.

**DESCRIPTION**

FIG. 1 is a front perspective view of a container in accordance with the present invention.  
FIG. 2 is a rear perspective view of a container in accordance with the present invention;  
FIG. 3 is a front elevation view of FIG. 1;  
FIG. 4 is a rear elevation view of FIG. 1;  
FIG. 5 is a left elevation side view of FIG. 1;  
FIG. 6 is a right elevation side view of FIG. 1;  
FIG. 7 is a bottom plan view of FIG. 1; and,  
FIG. 8 is a top plan view of FIG. 1.

**1 Claim, 4 Drawing Sheets**



## U.S. PATENT DOCUMENTS

5,156,271	10/1992	Toner .		5,520,285	5/1996	Mursch et al. .	
5,217,115	6/1993	Purkapile .....	206/373	5,524,915	6/1996	Liu .....	206/372
5,222,619	6/1993	Gregory .		5,526,929	6/1996	Wei .....	206/378
5,248,030	9/1993	Tarozzi .		5,535,881	7/1996	Krivec .....	206/376
5,248,033	9/1993	Kos et al. .		5,551,795	9/1996	Engibarov .	
5,320,223	6/1994	Allen .....	206/372	5,553,710	9/1996	Takama .	
5,341,926	8/1994	Leben .....	206/307	5,560,572	10/1996	Osborn et al. .	
5,346,063	9/1994	Chow .....	206/376	5,562,208	10/1996	Hasler et al. ....	206/373
5,346,677	9/1994	Risk .		5,570,784	11/1996	Sidabras et al. ....	206/378
5,398,810	3/1995	Yao Wang .....	206/373	5,588,240	12/1996	Zilliox .	
5,409,560	4/1995	Hammer et al. ....	206/372	5,603,415	2/1997	Balnis, Jr. .	
5,429,235	7/1995	Chen .....	206/373	5,624,037	4/1997	Kozo .	
5,433,929	7/1995	Riihimaki et al. .		5,638,838	6/1997	Lombardi .	
5,469,961	11/1995	Chang .		5,638,964	6/1997	Ernst .	
5,484,057	1/1996	Tzu-Ching .....	206/374	5,641,066	6/1997	Mascaro .	
5,509,731	4/1996	Callahan et al. .		5,649,657	7/1997	Chuang .	
				5,651,941	7/1997	Stark et al. .	

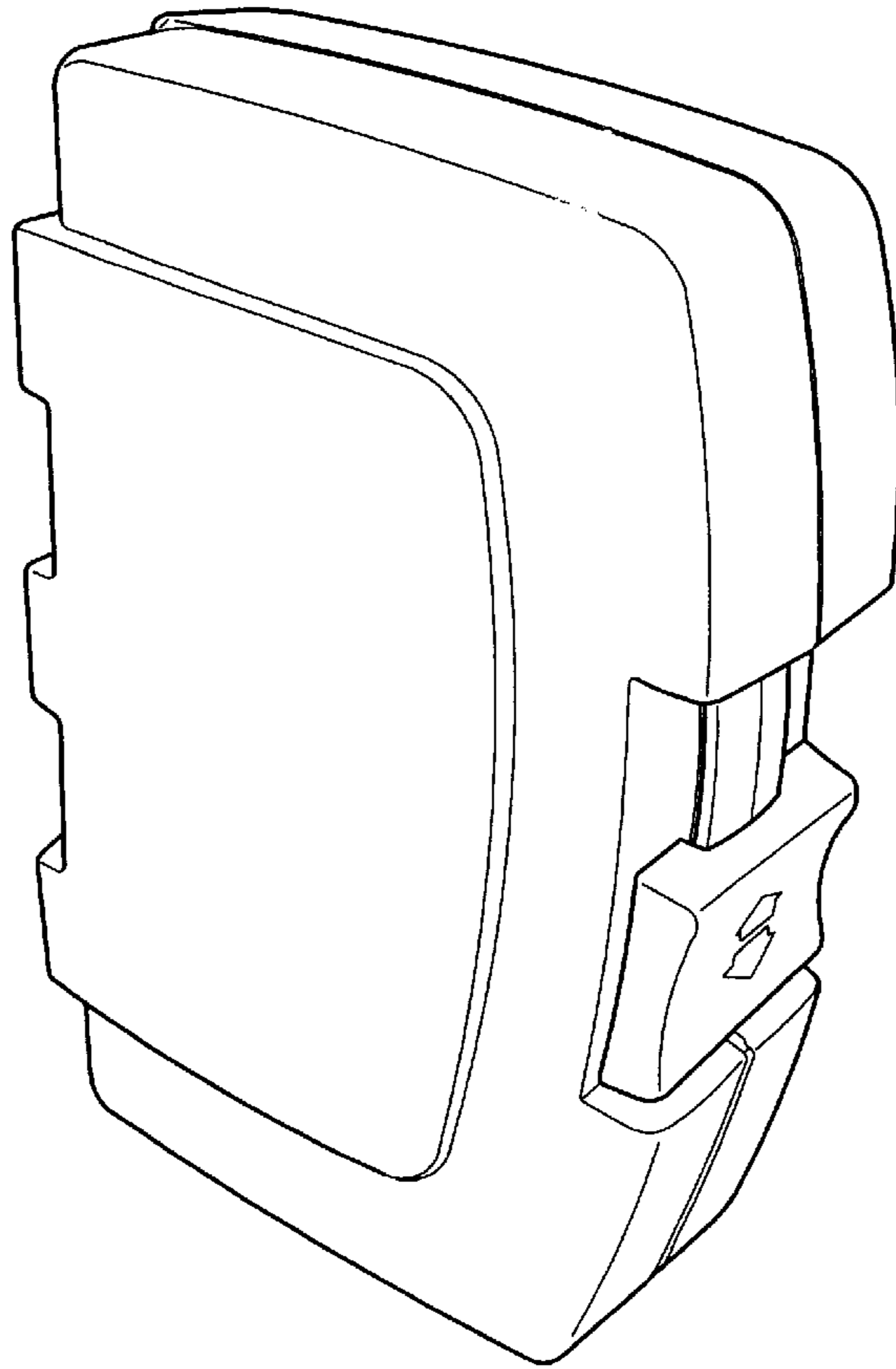


Fig-1

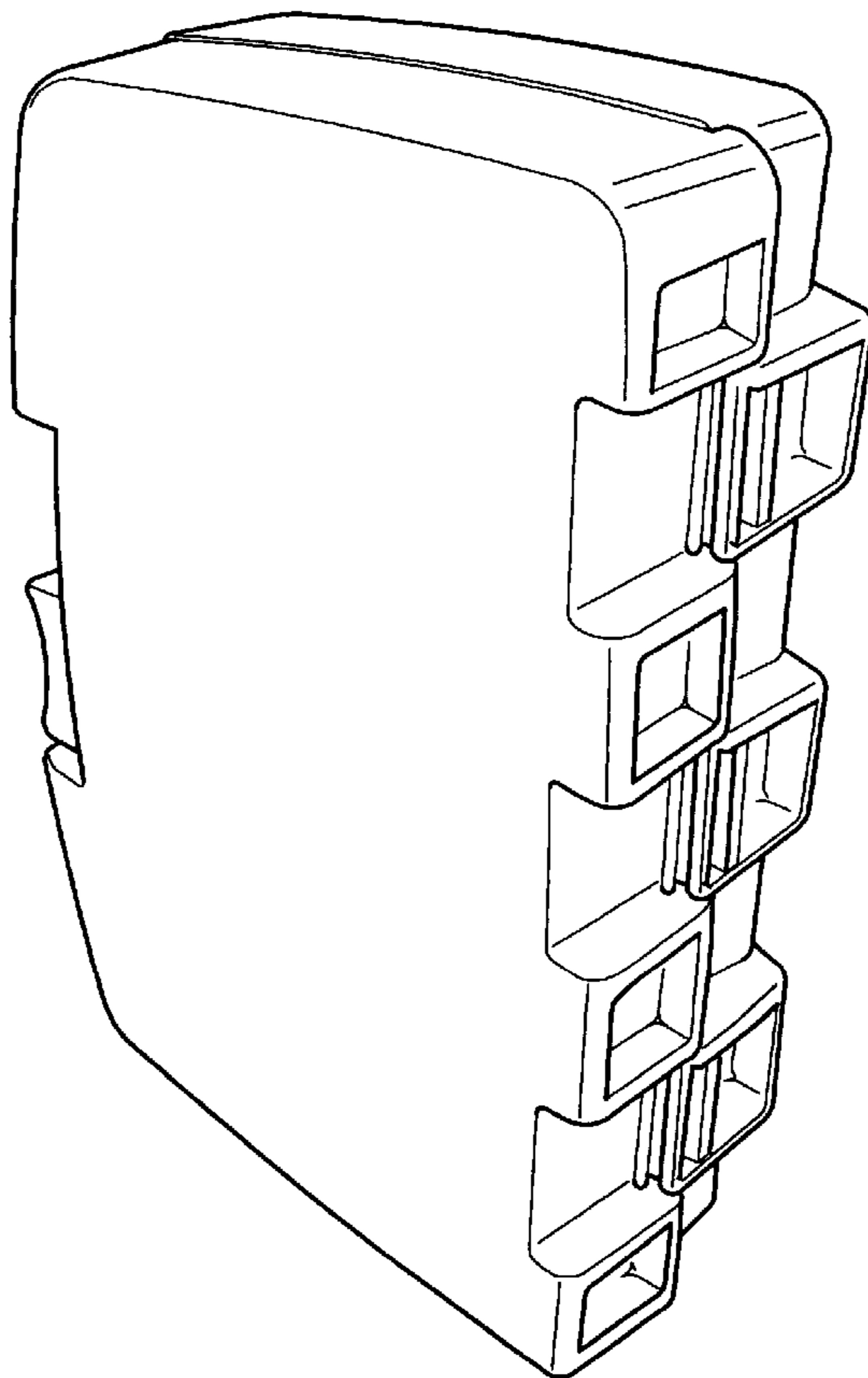


Fig-2

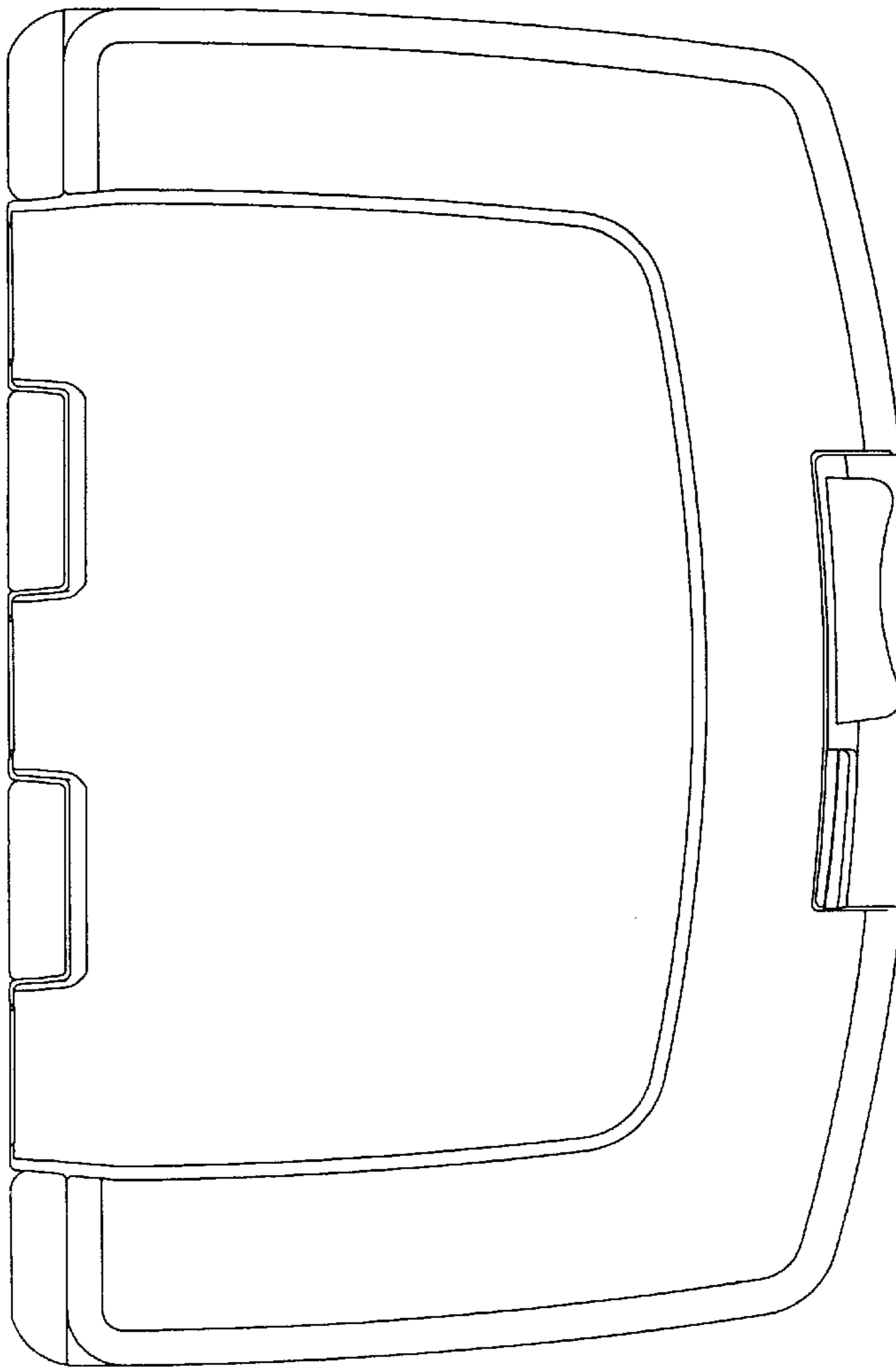


Fig-3

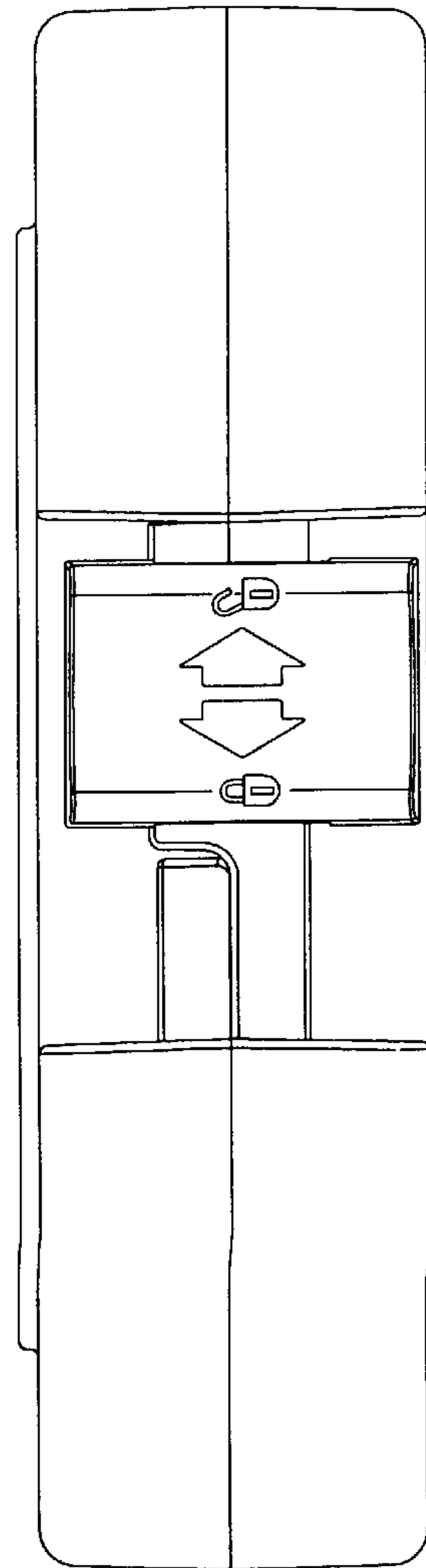


Fig-4

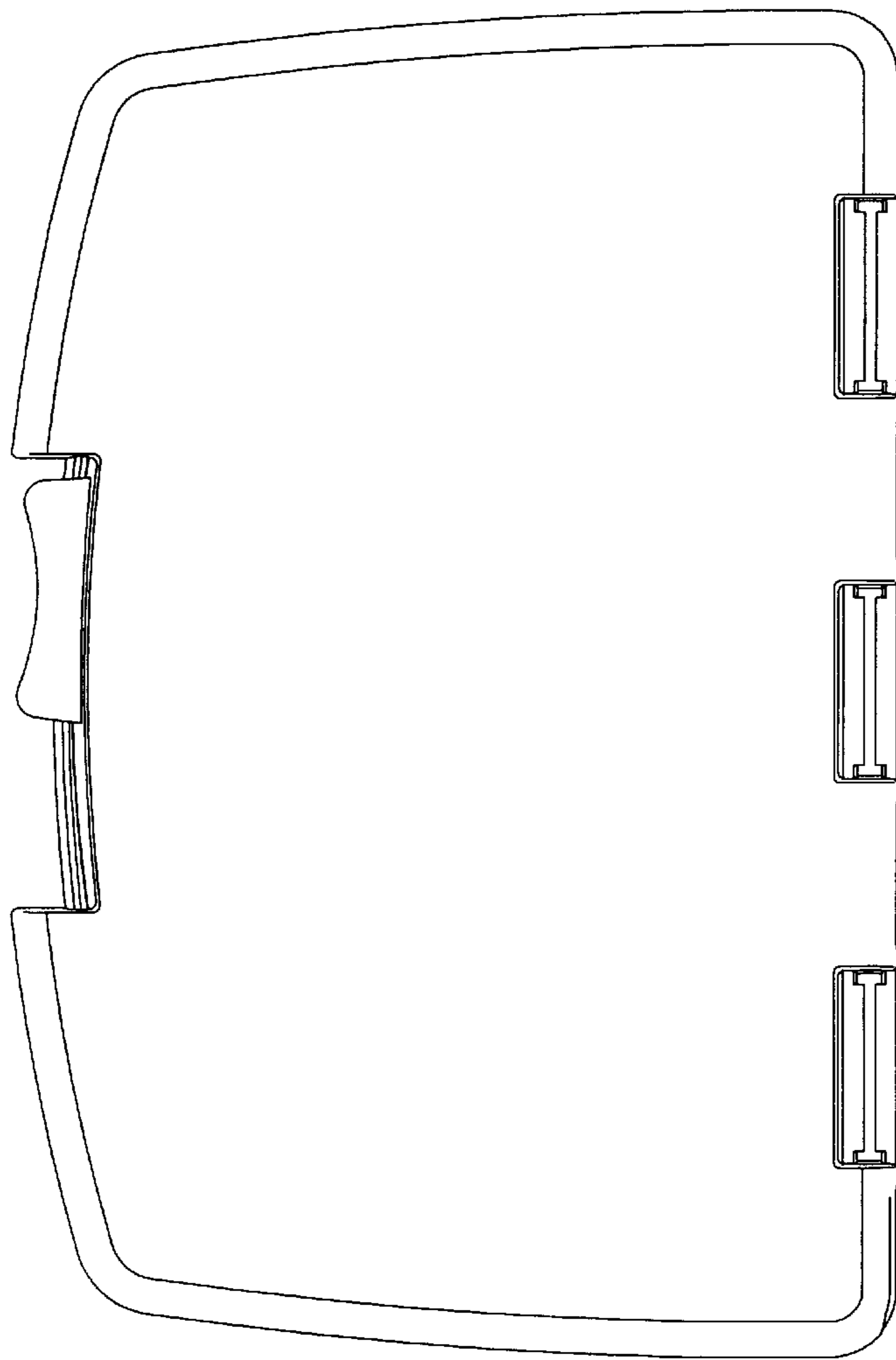


Fig-5

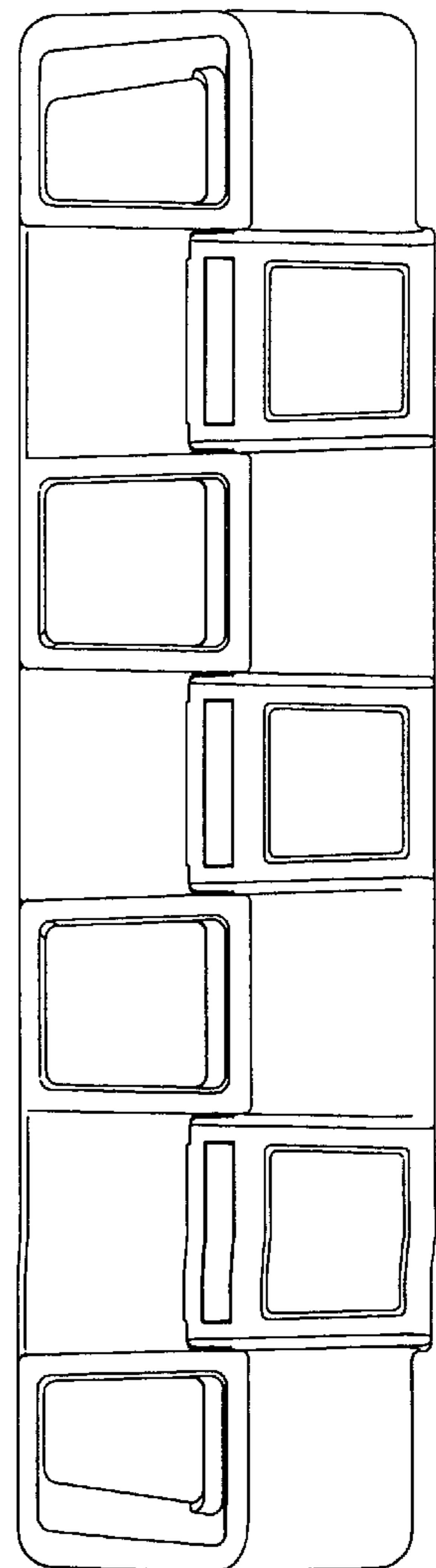


Fig-6

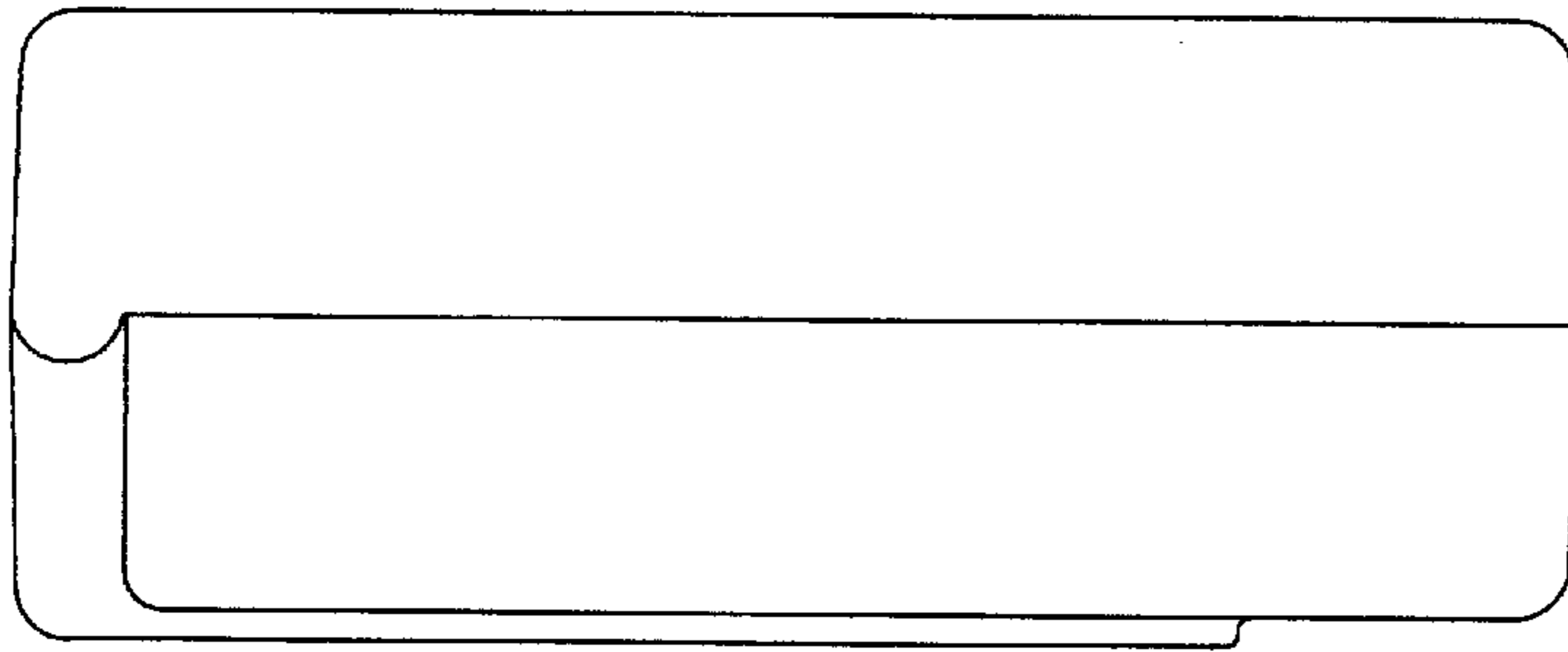


Fig-7

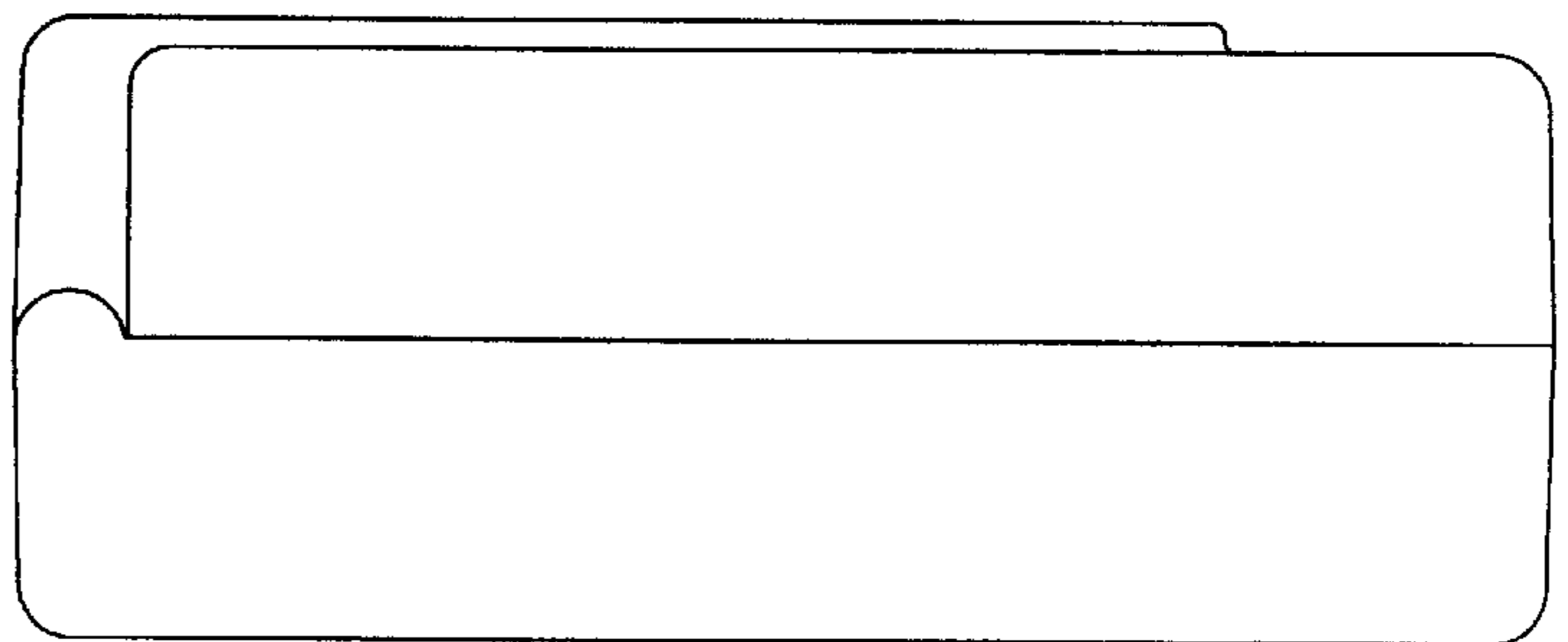


Fig-8

UNITED STATES PATENT AND TRADEMARK OFFICE  
**CERTIFICATE OF CORRECTION**

PATENT NO. : Des. 418,977  
DATED : January 18, 2000  
INVENTOR(S) : John P. Streich

Page 1 of 6

It is certified that error appears in the above-identified patent and that said Letters Patent is hereby corrected as shown below:

Title page,

Delete the title page and insert the attached title page.

Drawings,

Delete Drawings sheets 1-4 and insert the attached Drawing sheets 1-4.

Signed and Sealed this

Seventeenth Day of December, 2002

A handwritten signature in black ink, appearing to read "James E. Rogan", with a horizontal line drawn underneath it.

JAMES E. ROGAN  
*Director of the United States Patent and Trademark Office*

**United States Patent** [19]  
**Streich**

[11] **Patent Number: Des. 418,977**  
[45] **Date of Patent: \*\* Jan. 18, 2000**

[54] **TOOL CONTAINER**

[75] **Inventor: John P. Streich, Towson, Md.**

[73] **Assignee: Black & Decker Inc., Newark, Del.**

[\*\*] **Term: 14 Years**

[21] **Appl. No.: 29/092,266**

[22] **Filed: Aug. 14, 1998**

[51] **LOC (7) Cl. .... 03-01**

[52] **U.S. Cl. .... D3/273; D3/905; D3/294**

[58] **Field of Search .... D3/273, 282, 294,  
D3/905; D9/420, 423, 424; 206/349, 372,  
373, 315.1; 190/110, 111, 112, 113**

[56] **References Cited**

**U.S. PATENT DOCUMENTS**

D. 178,627	9/1956	Baratelli .	
D. 221,317	7/1971	Muller .	
D. 229,366	11/1973	Yonce .	
D. 264,396	5/1982	Harvey et al. ....	D3/294
D. 269,648	7/1983	Wilcox et al. .	
D. 287,906	1/1987	Tsuji et al. ....	D3/294
D. 291,946	9/1987	Dottori et al. .	
D. 311,644	10/1990	Chapin ....	D3/905
D. 314,669	2/1991	Kunimune .	
D. 328,189	7/1992	Hillinger ....	D3/282
D. 329,331	9/1992	Hobson	
337,888	3/1886	Swan .	
D. 343,063	1/1994	Chen ....	D3/905
D. 343,120	1/1994	Lapsker et al. ....	D9/423
D. 345,650	4/1994	Boyd ....	D3/905
D. 347,114	5/1994	Tengvall ....	D3/905
D. 358,257	5/1995	Sidabras et al. ....	D3/282
D. 374,988	10/1996	Hillinger ....	D3/294
D. 379,715	6/1997	Yemini ....	D3/282
D. 382,115	8/1997	Chang ....	D3/282
D. 382,709	8/1997	Cunco ....	D3/282
D. 385,109	10/1997	Staheli ....	D3/294
D. 394,952	6/1998	Wei ....	D3/273
470,567	3/1892	Hitch .	
498,455	5/1893	Bartlett .	

1,927,110	9/1933	Bannister et al. .	
2,487,174	11/1949	Petre .	
2,508,951	5/1950	Kazimier .	
2,601,101	6/1952	Derham .	
2,792,934	5/1957	Rocchetti .	
2,880,857	4/1959	Parsons et al. .	
3,018,876	1/1962	Huot .	
3,276,847	10/1966	Duff et al. .	
3,367,483	2/1968	Studen .	
3,370,697	2/1968	Levey et al. .	
3,426,890	2/1969	Bayer .	
3,583,556	6/1971	Wagner .	
3,904,034	9/1975	Saunders .	
4,048,051	9/1977	Gretz .	
4,340,140	7/1982	Wilcox et al. .	
4,489,830	12/1984	Charlebois et al. .	
4,576,307	3/1986	Frydenberg .	
4,615,464	10/1986	Byms .	
5,031,768	7/1991	Fischer ....	206/370
5,056,661	10/1991	Balzano ....	206/372
5,133,455	7/1992	Chow ....	206/374

(List continued on next page.)

*Primary Examiner*—Philip S. Hyder  
*Attorney, Agent, or Firm*—Harness, Dickey & Pierce, P.L.C.

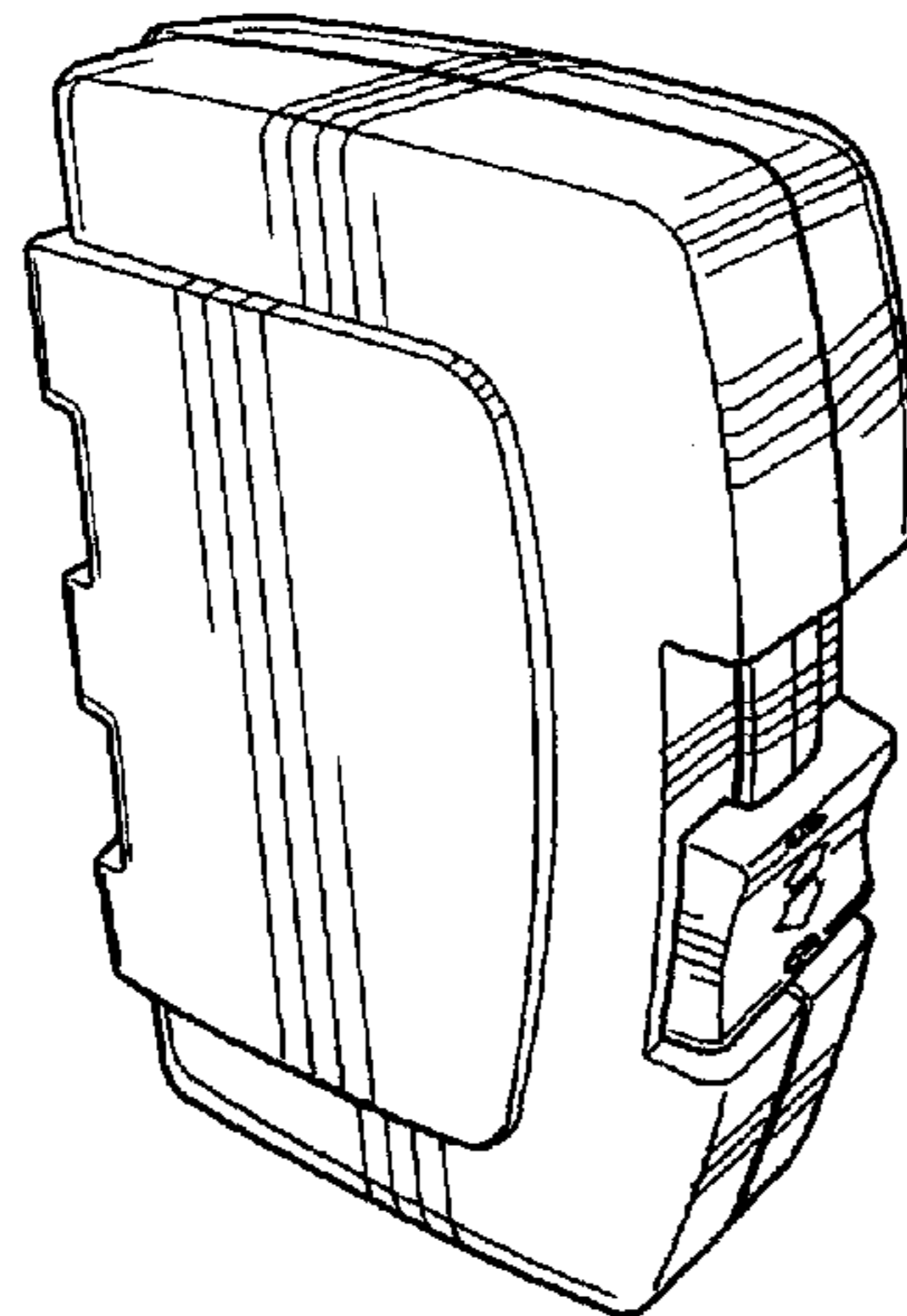
[57] **CLAIM**

The ornamental design for a tool container, as shown and described.

**DESCRIPTION**

FIG. 1 is a front perspective view of a container in accordance with the present invention.  
FIG. 2 is a rear perspective view of a container in accordance with the present invention;  
FIG. 3 is a front elevation view of FIG. 1;  
FIG. 4 is a rear elevation view of FIG. 1;  
FIG. 5 is a left elevation side view of FIG. 1;  
FIG. 6 is a right elevation side view of FIG. 1;  
FIG. 7 is a bottom plan view of FIG. 1; and,  
FIG. 8 is a top plan view of FIG. 1.

1 Claim, 4 Drawing Sheets





**U.S. Patent**

**Jan. 18, 2000**

**Sheet 1 of 4**

**Des 418,977**

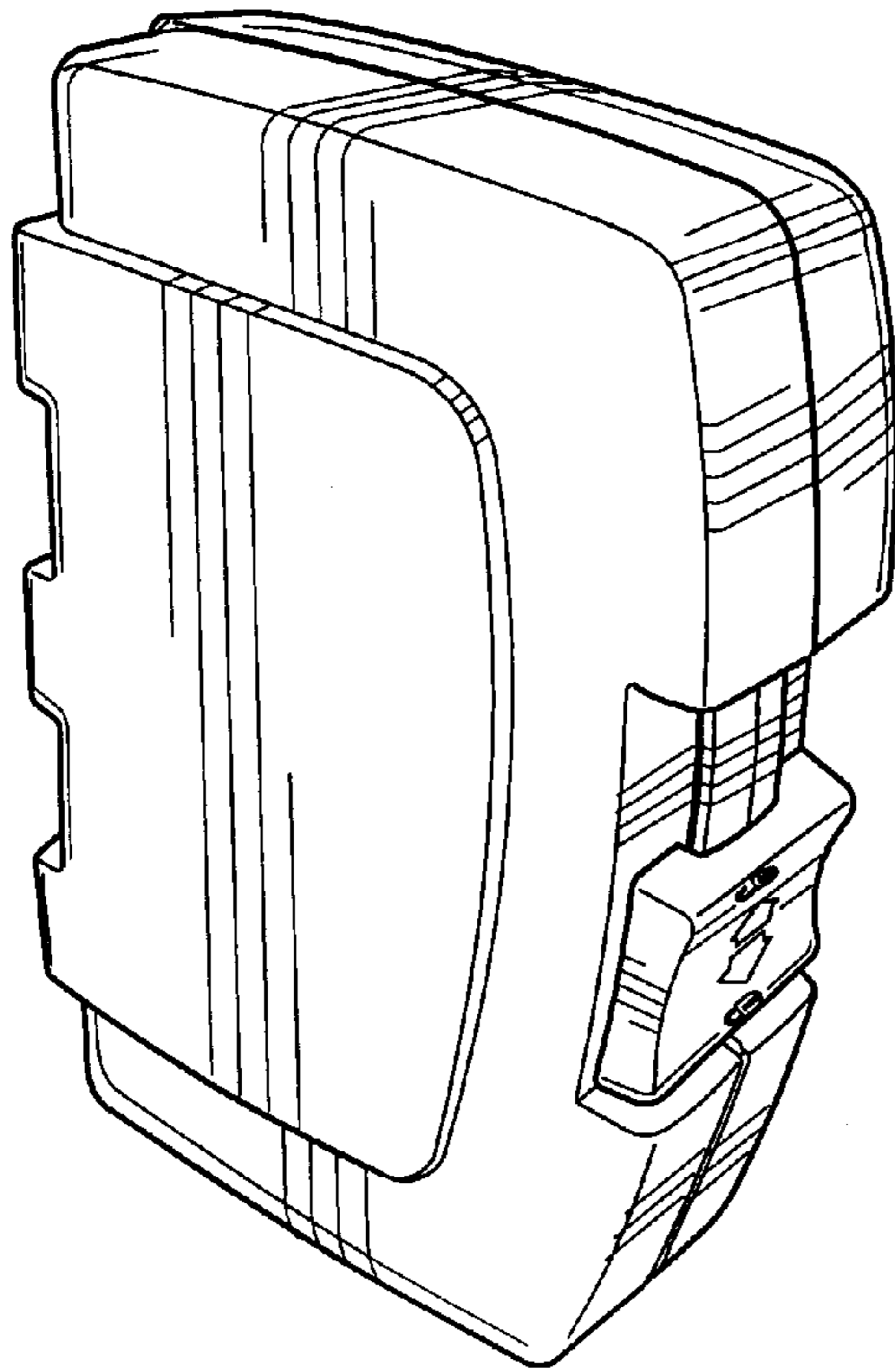


Fig-1

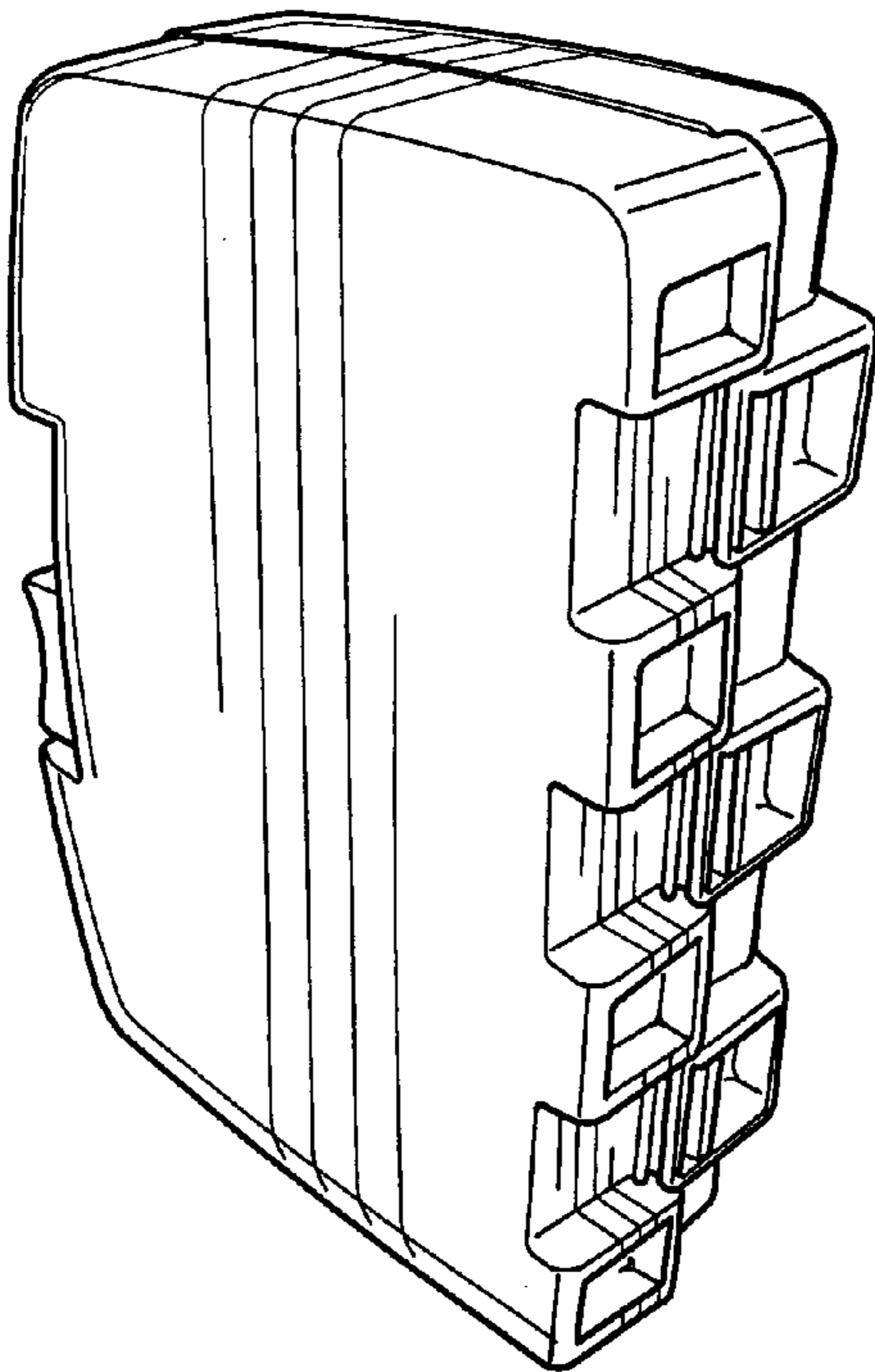


Fig-2

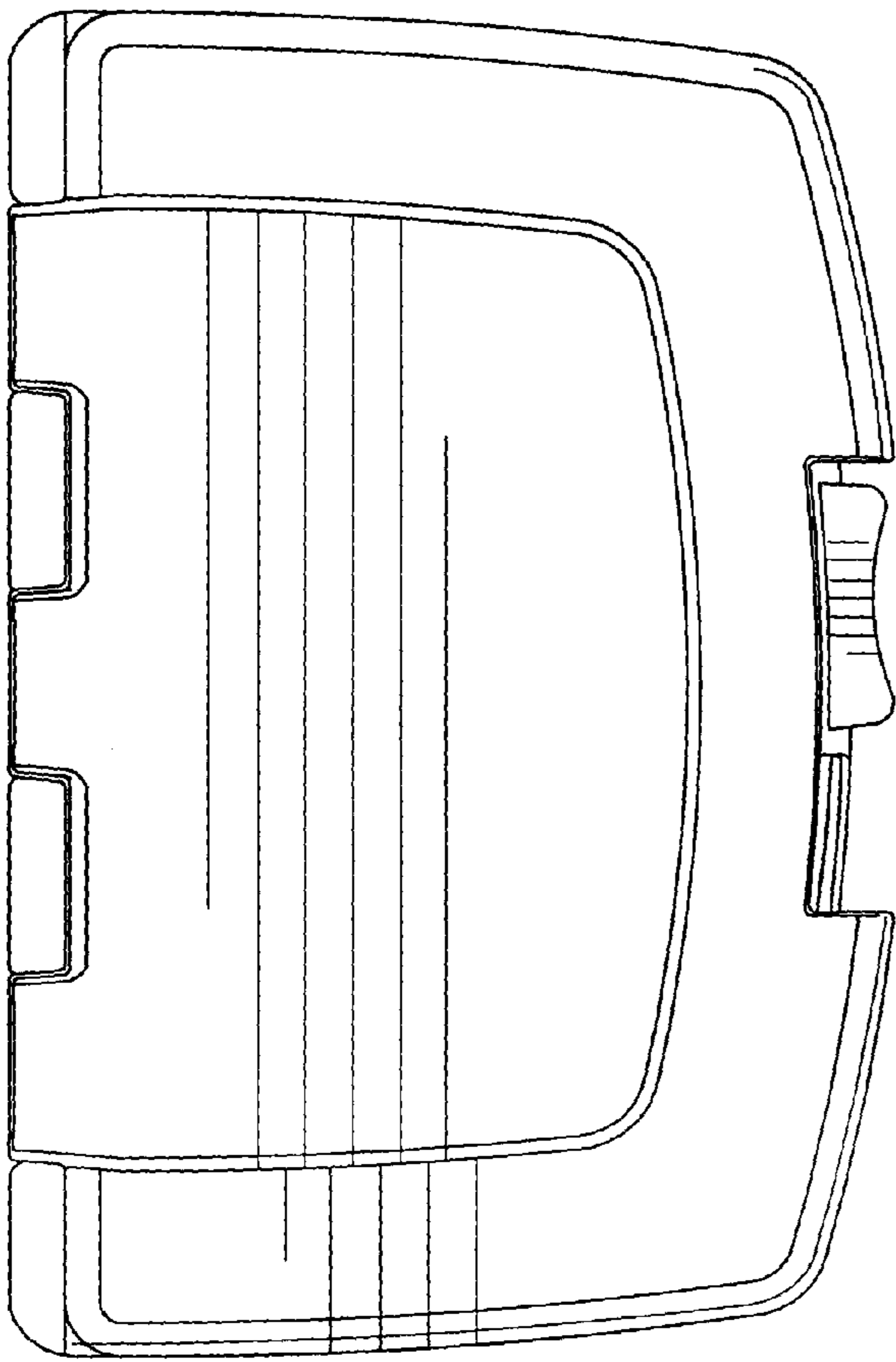


Fig-3

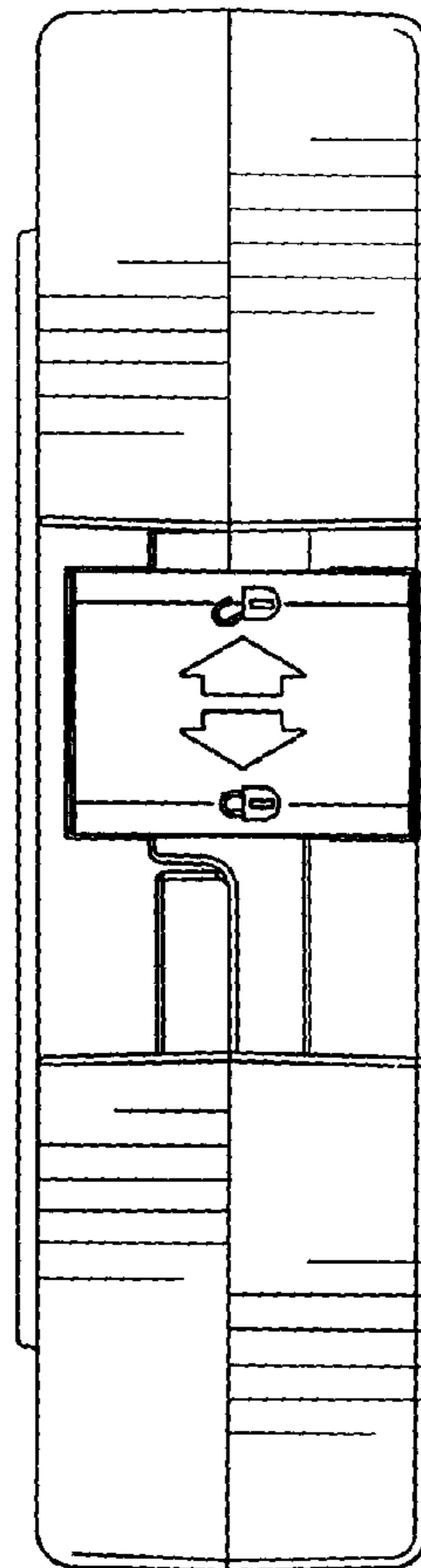


Fig-4

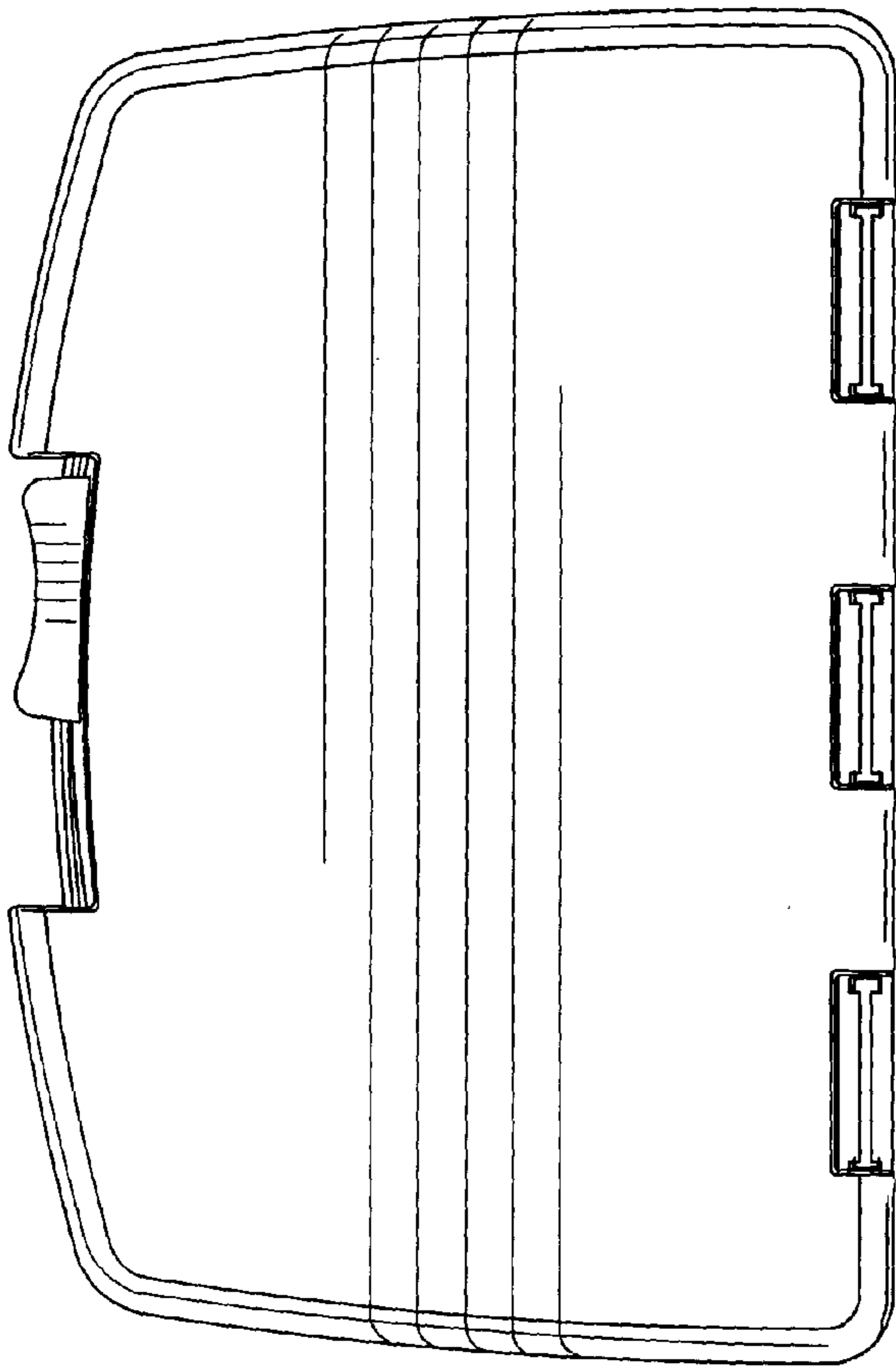


Fig-5

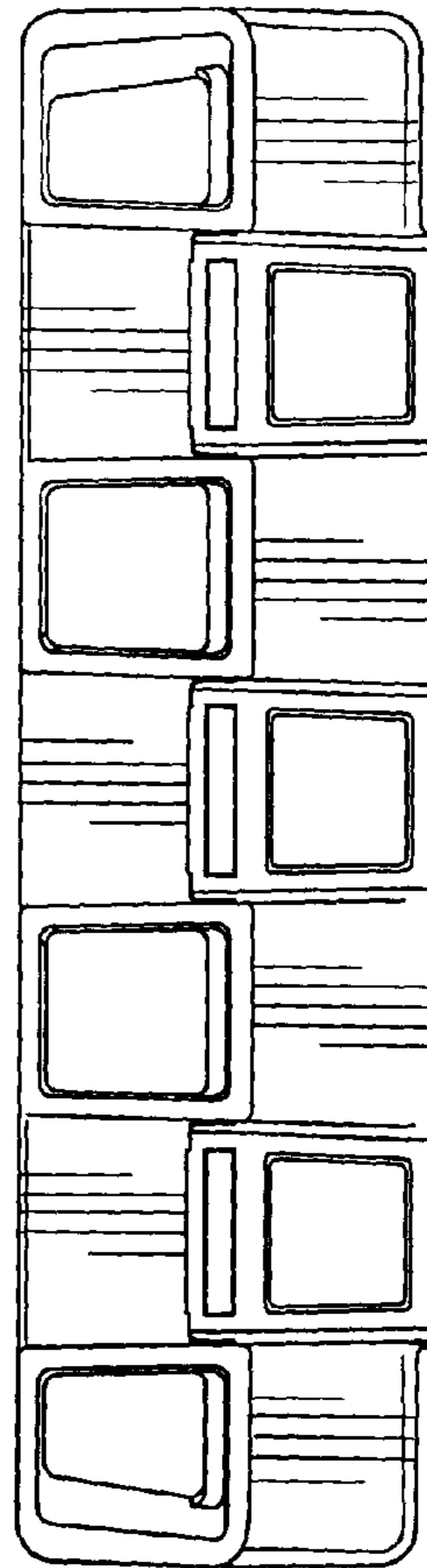


Fig-6

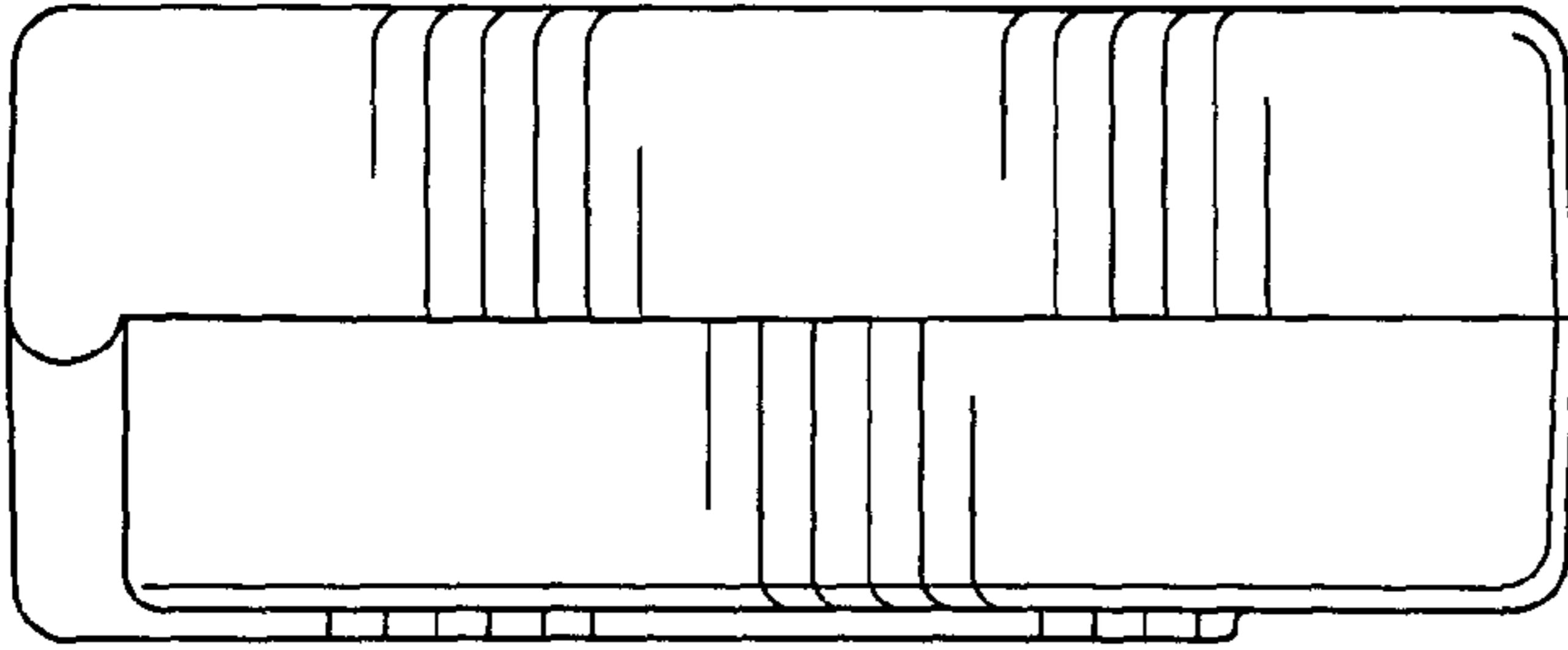


Fig-7

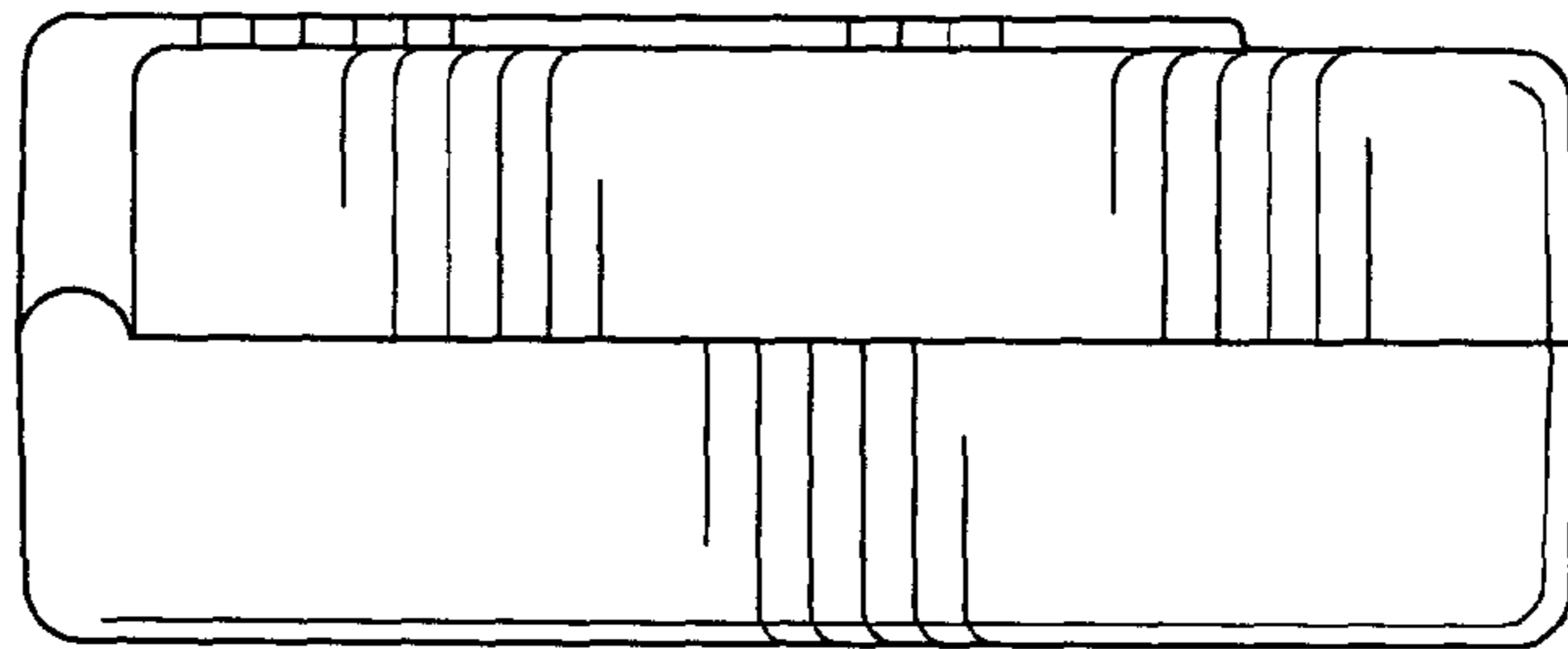


Fig-8