



US00D418976S

United States Patent [19] du Sartel

[11] **Patent Number: Des. 418,976**

[45] **Date of Patent: ** Jan. 18, 2000**

[54] **HANDBAG**

[75] Inventor: **Vincent du Sartel**, Paris, France

[73] Assignee: **Louis Vuitton Malletier, S.A.**, Paris, France

[**] Term: **14 Years**

[21] Appl. No.: **29/100,879**

[22] Filed: **Feb. 19, 1999**

[30] **Foreign Application Priority Data**

Aug. 21, 1998 [FR] France DM/044929

[51] **LOC (7) Cl.** **03-01**

[52] **U.S. Cl.** **D3/243; D3/232; D3/245; D3/246**

[58] **Field of Search** **D3/232, 233, 243, D3/245, 246; 150/108, 110, 118; 303/18**

[56] **References Cited**

U.S. PATENT DOCUMENTS

D. 163,726 6/1951 Wiggin 150/108

D. 246,680 12/1977 Sabol D3/243
D. 250,734 1/1979 Siegel D3/243
D. 332,006 12/1992 Ross D3/243
D. 365,444 12/1995 Pritchett D3/232 X

Primary Examiner—Stella Reid
Assistant Examiner—Monica A. Weingart
Attorney, Agent, or Firm—Finnegan, Henderson, Farabow, Garrett & Dunner, L.L.P.

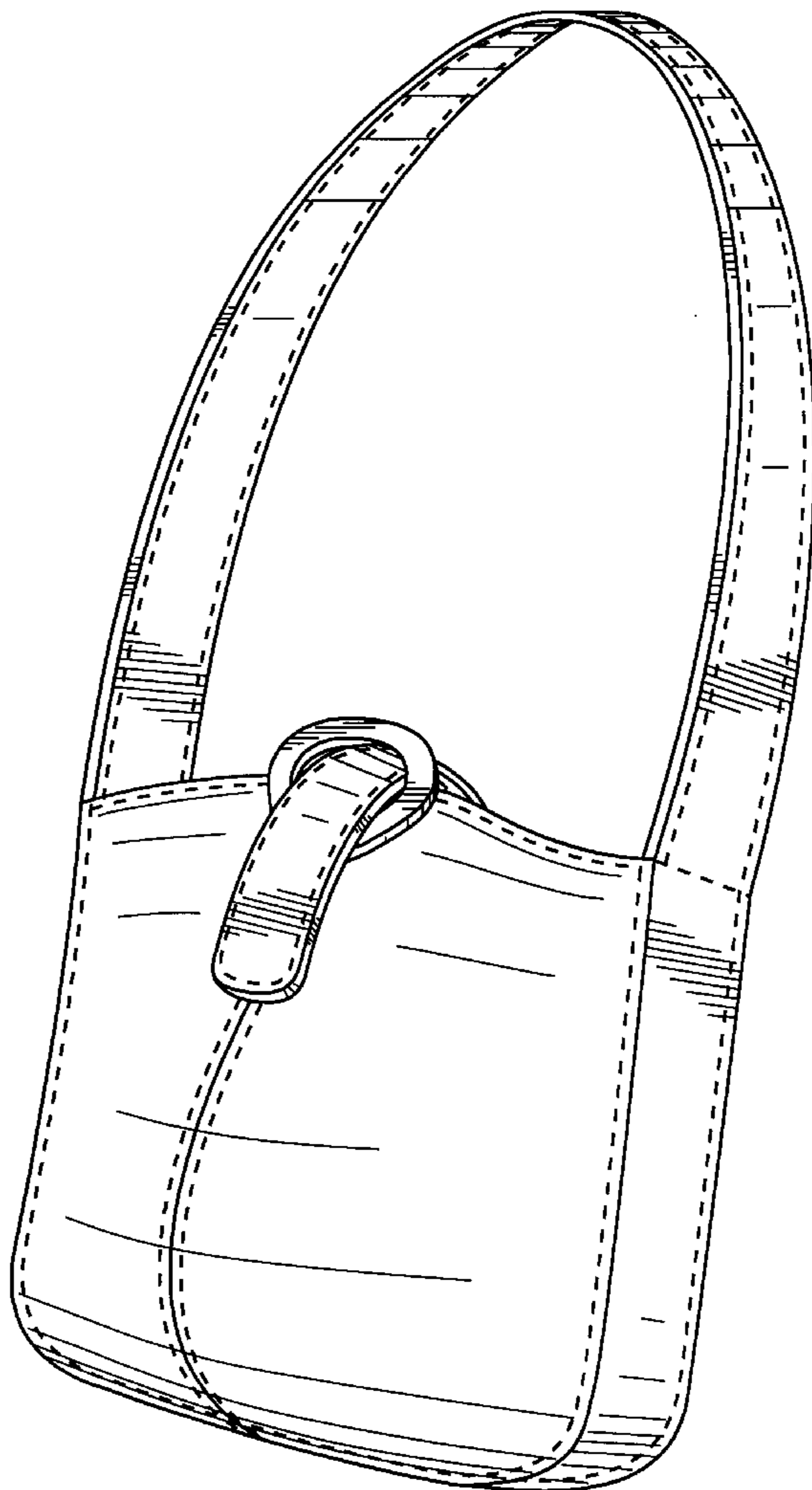
[57] **CLAIM**

The ornamental design for a handbag, as shown and described.

DESCRIPTION

FIG. 1 is a left side perspective view of the new design; FIG. 2 is the front view of the design of FIG. 1; FIG. 3 is the top view; FIG. 4 is the rear view thereof; FIG. 5 is the bottom view; and, FIG. 6 is an end view thereof, with the opposite end view being a mirror image thereof.

1 Claim, 4 Drawing Sheets



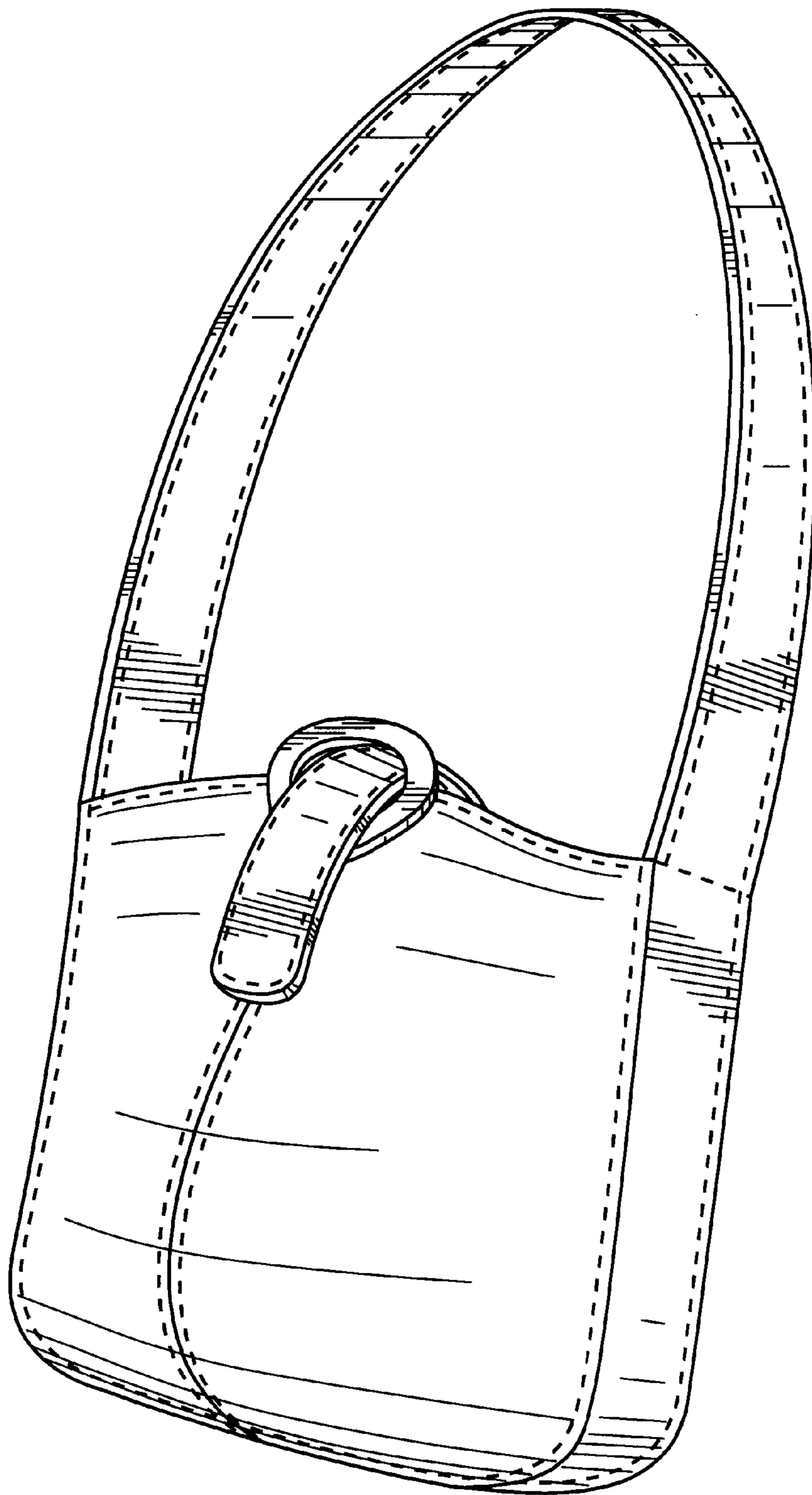


FIG. 1

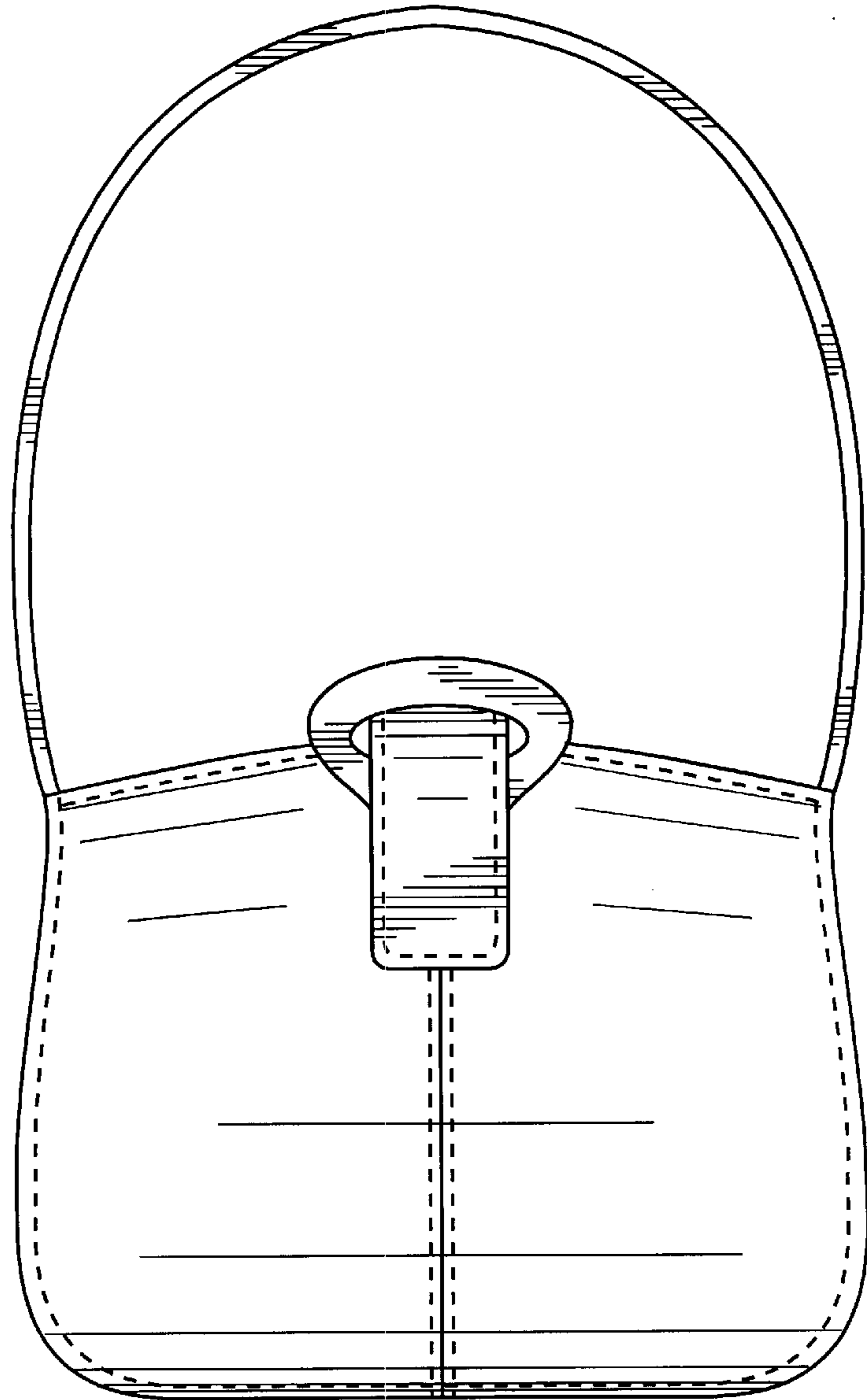


FIG. 2

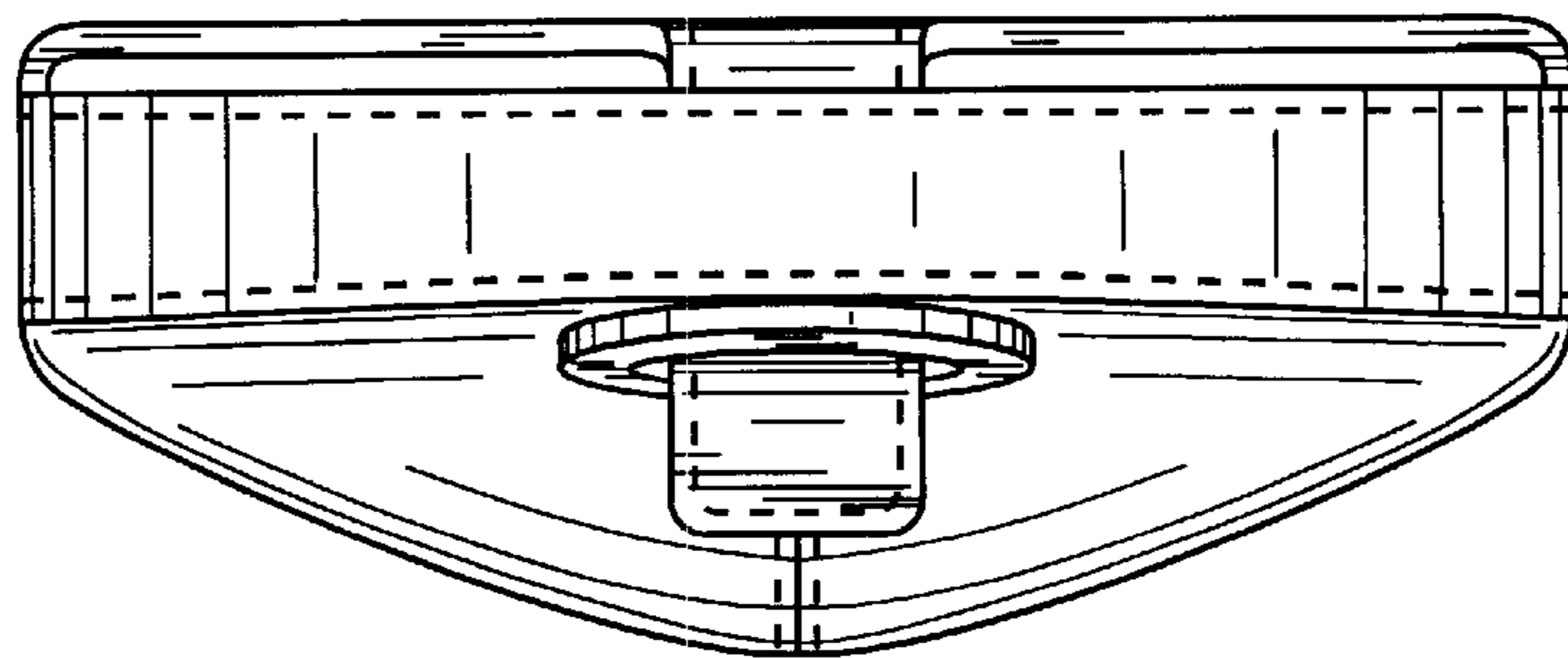


FIG. 3

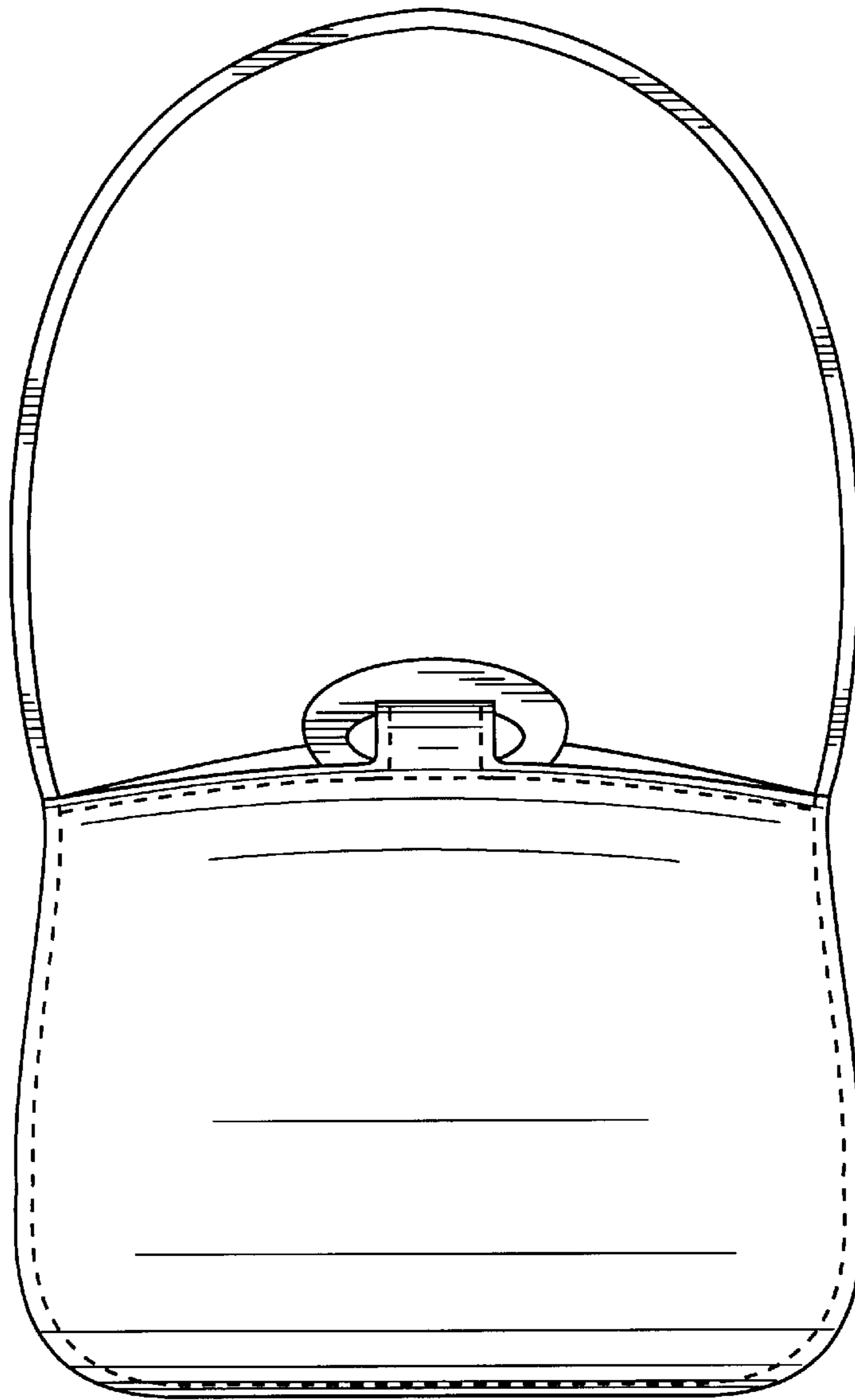


FIG. 4

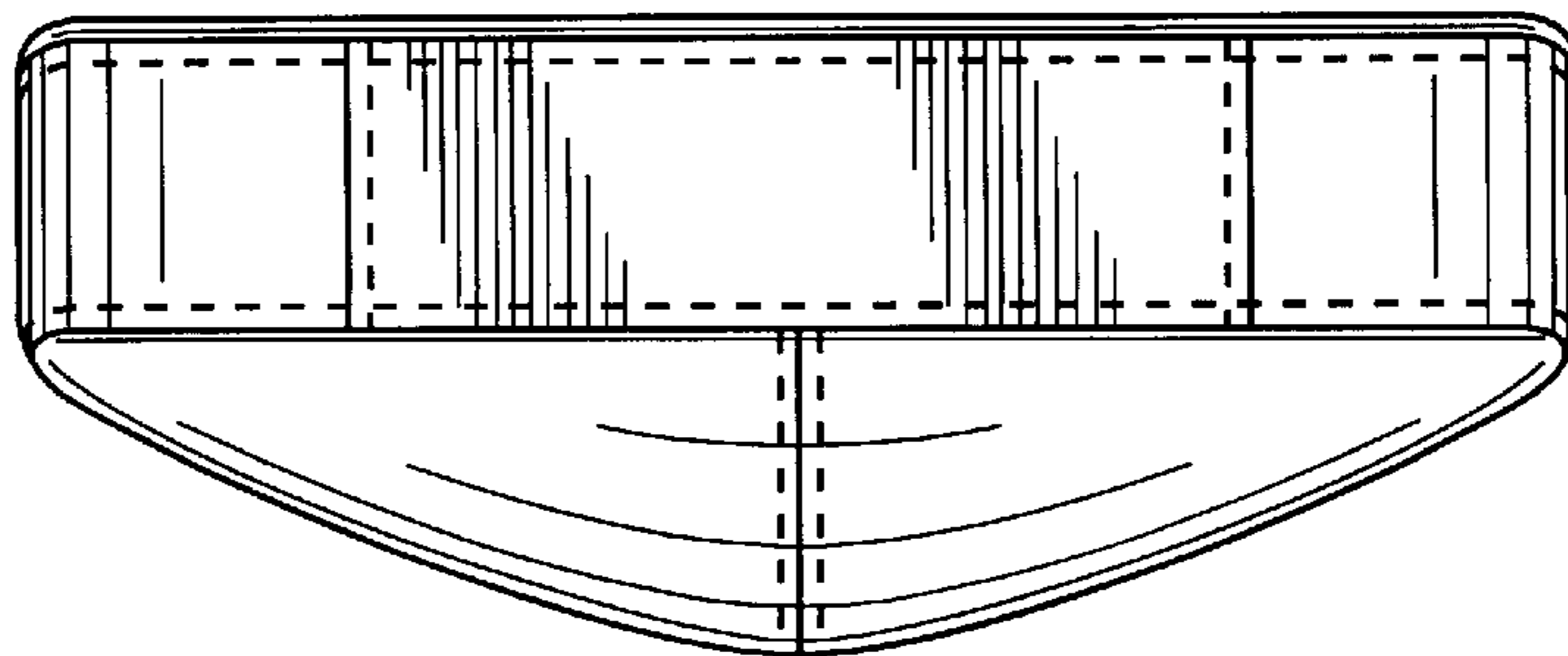


FIG. 5

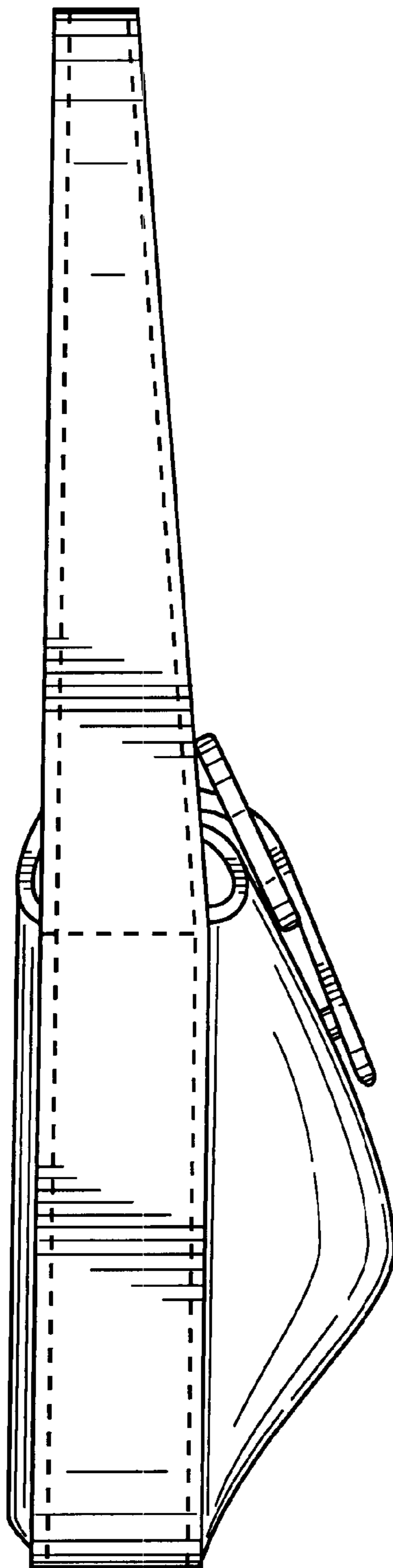


FIG. 6