



US00D418975S

# United States Patent [19]

Nastasi

[11] **Patent Number: Des. 418,975**

[45] **Date of Patent: \*\* Jan. 18, 2000**

[54] **HANDBAG**

[76] Inventor: **Ancela Nastasi**, 666 Greenwich St., Suite 707, New York, N.Y. 10014

[\*\*] Term: **14 Years**

[21] Appl. No.: **29/101,617**

[22] Filed: **Mar. 8, 1999**

[51] **LOC (7) Cl. .... 03-01**

[52] **U.S. Cl. .... D3/238; D3/232; D3/234; D3/245**

[58] **Field of Search .... D3/232, 234, 238, D3/245; 150/107, 110, 127; 383/907, 18; D7/672, 675**

[56] **References Cited**

### U.S. PATENT DOCUMENTS

179,461	7/1876	Nolin .....	383/907
196,546	10/1877	Spence et al. ....	383/907
1,600,633	9/1926	Hildebrand .....	383/907
1,815,106	7/1931	Jostes .....	150/107
2,274,718	3/1942	Lyndes et al. ....	383/907
3,276,498	10/1966	Hudema .....	150/110

### FOREIGN PATENT DOCUMENTS

869 236 4/1971 Canada ..... D7/675

### OTHER PUBLICATIONS

*Kreamerware Cat.#10* ©1920, p. 42 Crescent #1 Cake Cutter, center of page.

*Primary Examiner*—Stella Reid

*Assistant Examiner*—Monica A. Weingart

*Attorney, Agent, or Firm*—Notaro & Michalos P.C.

[57] **CLAIM**

The ornamental design for a handbag, as shown and described.

### DESCRIPTION

FIG. 1 is a front elevational view of handbag showing my new design therefor;

FIG. 2 is a rear elevational view thereof;

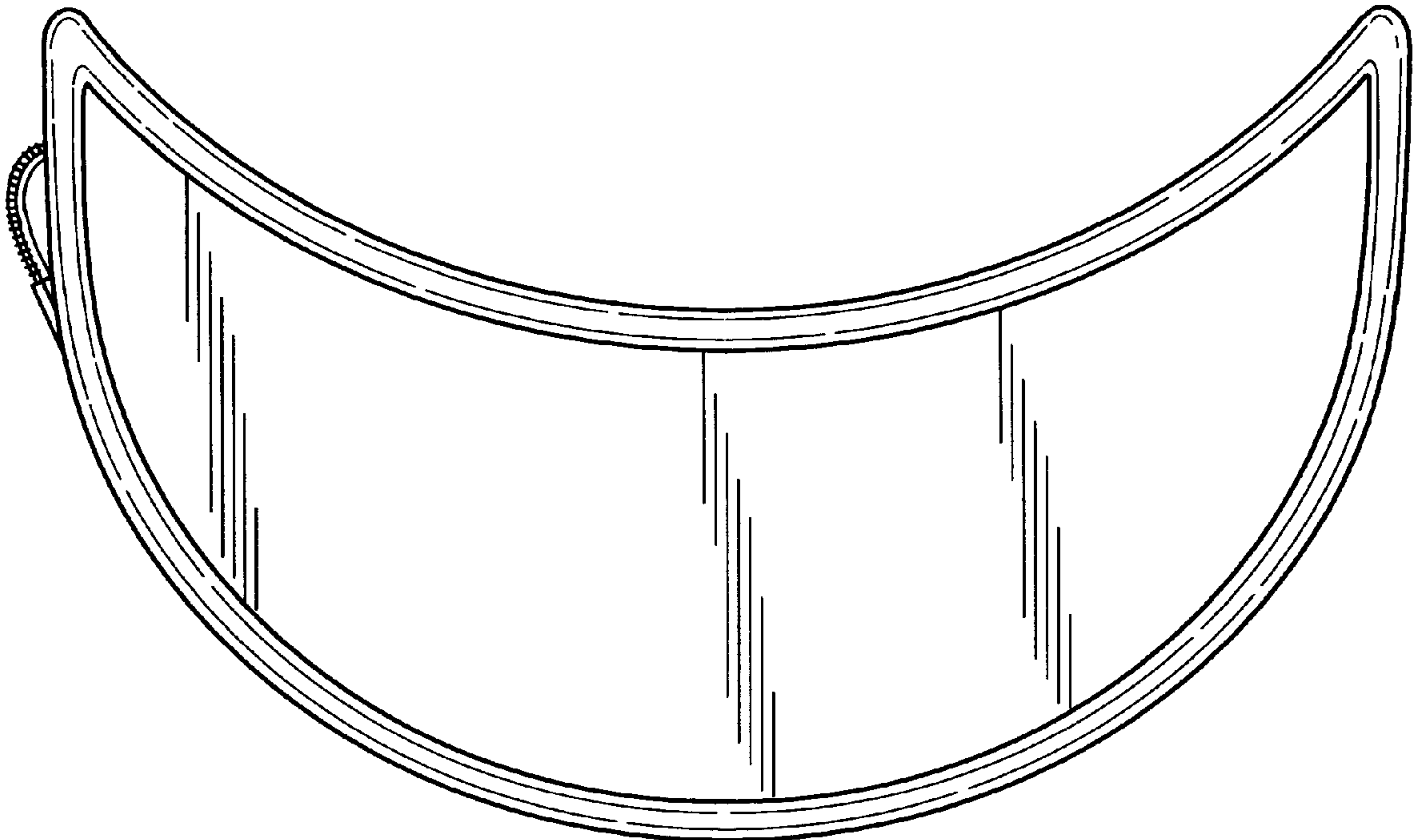
FIG. 3 is a top plan view thereof;

FIG. 4 is a bottom plan view thereof;

FIG. 5 is a right side elevational view thereof; and,

FIG. 6 is a left side elevational view thereof.

**1 Claim, 2 Drawing Sheets**



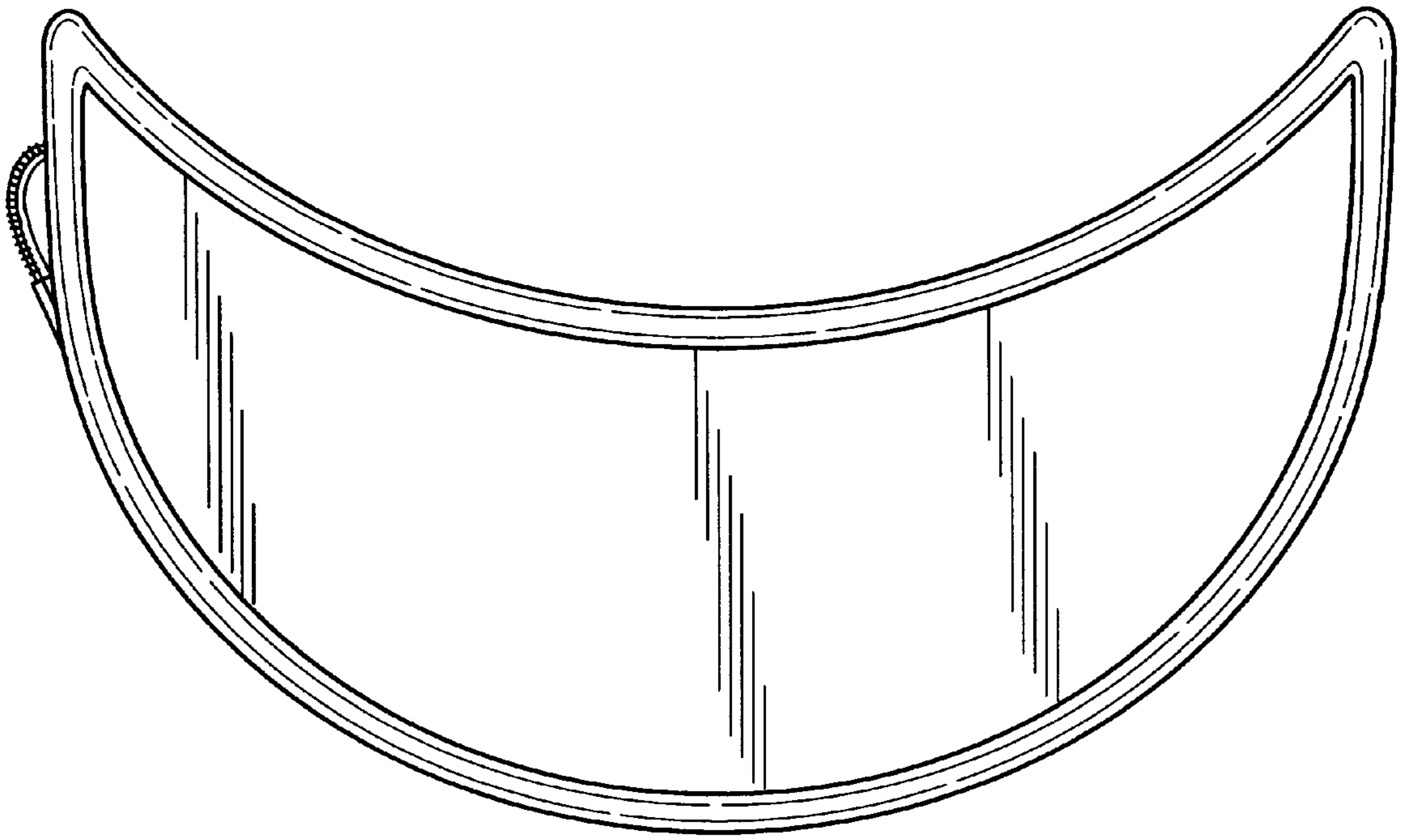


FIG. 1

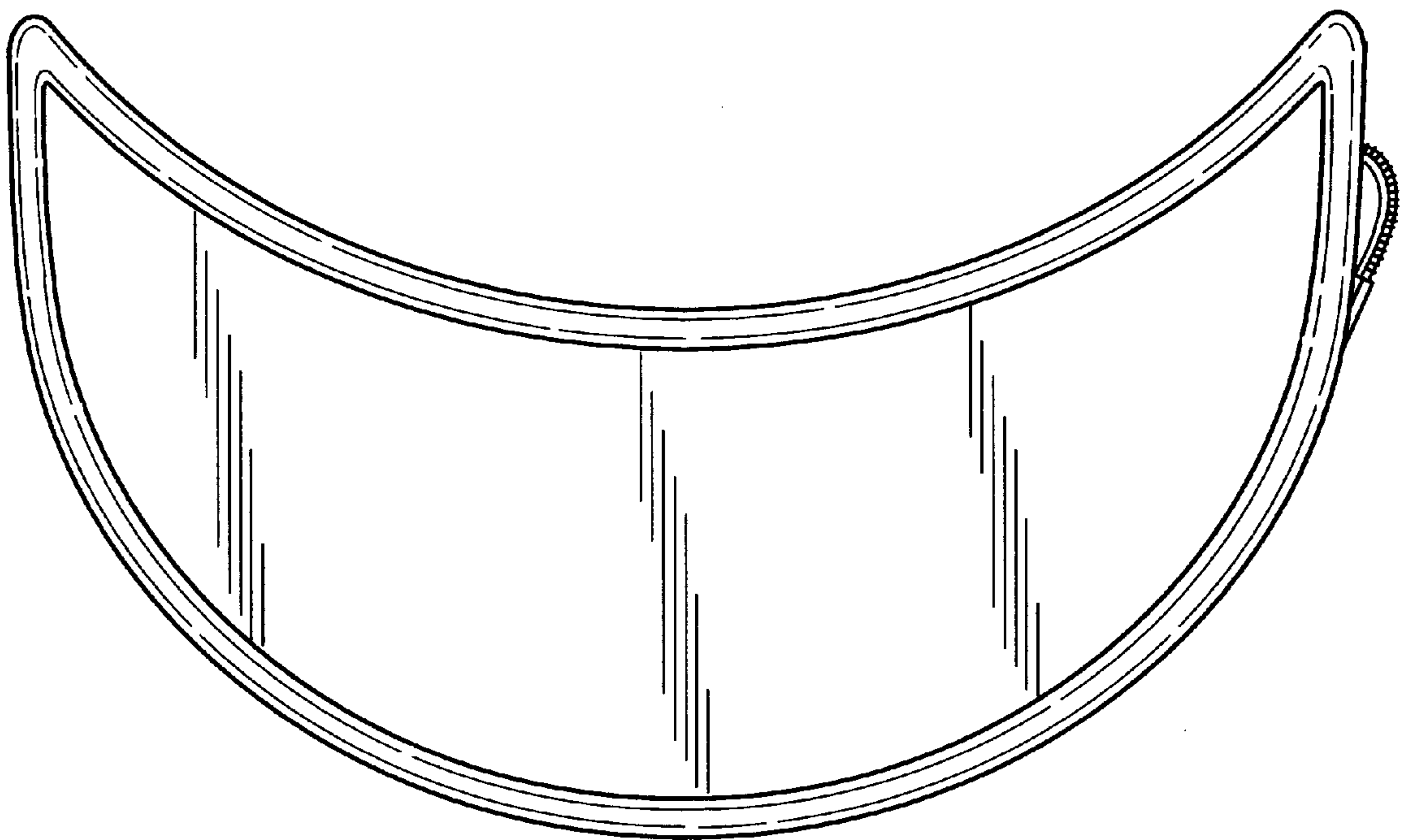


FIG. 2

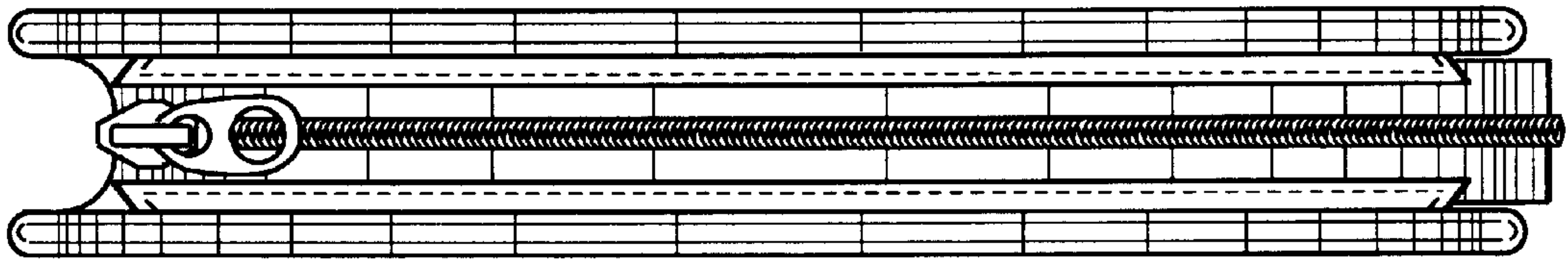


FIG. 3

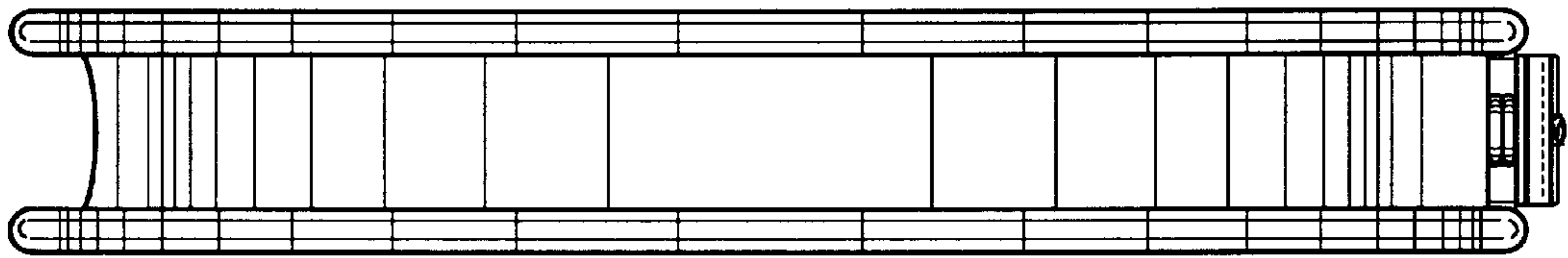


FIG. 4

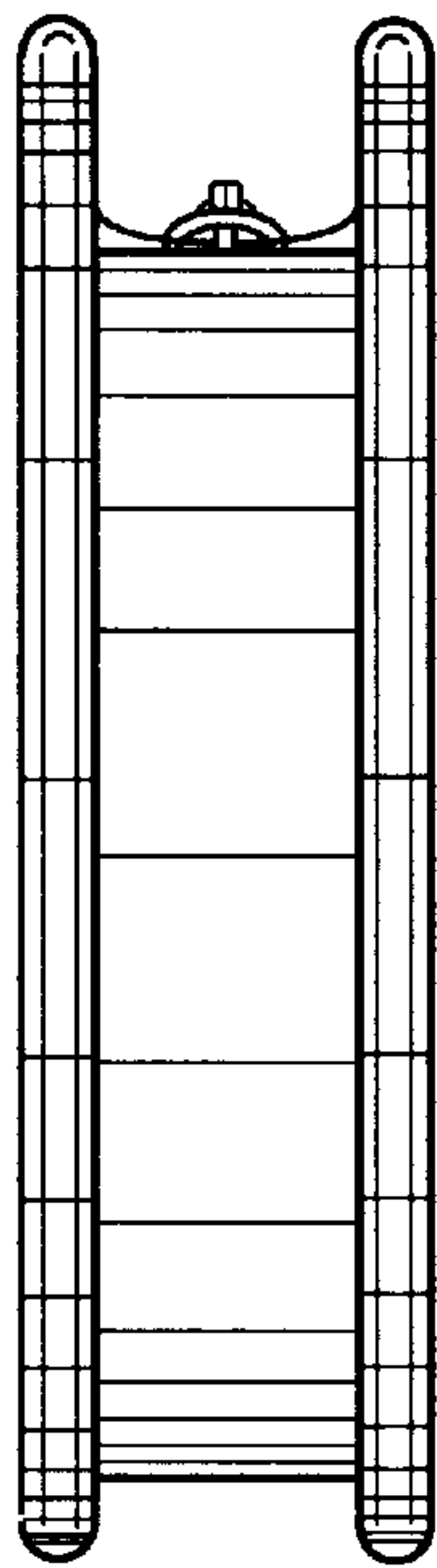


FIG. 5

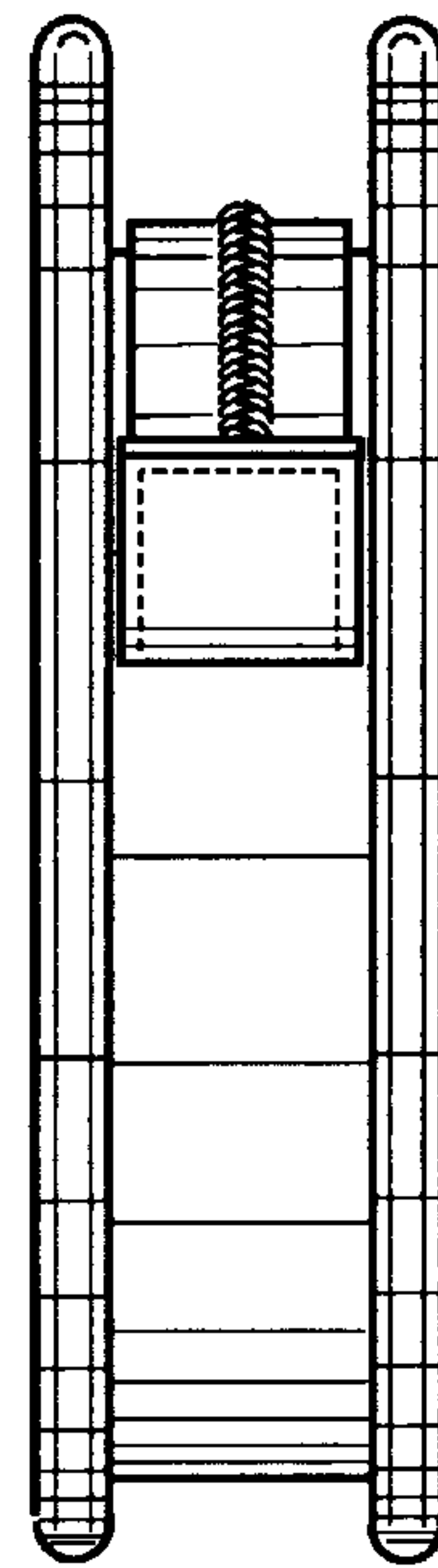


FIG. 6