



US00D418973S

United States Patent [19]

Epstein

[11] Patent Number: **Des. 418,973**

[45] Date of Patent: **** Jan. 18, 2000**

[54] **PAGER CARRIER**

[76] Inventor: **Judith Susana Epstein**, 2324 Elden Ave., Costa Mesa, Calif. 92627

[**] Term: **14 Years**

[21] Appl. No.: **29/098,143**

[22] Filed: **Dec. 23, 1998**

[51] **LOC (7) Cl.** **03-01**

[52] **U.S. Cl.** **D3/218**

[58] **Field of Search** D3/218, 215, 224, D3/226; D2/627, 631, 639; 224/236, 240, 901, 904, 682, 257

D. 407,623	4/1999	Romo et al.	D3/215
4,907,729	3/1990	Hess III	224/240
4,951,817	8/1990	Barletta et al.	206/305
4,957,231	9/1990	Kalisher	224/240
5,398,855	3/1995	Schaiewitz	224/257
5,598,926	2/1997	Vogt	206/457

Primary Examiner—Louis S. Zarfaz
Assistant Examiner—Catherine R. Oliver
Attorney, Agent, or Firm—Goldstein & Comino

[57] CLAIM

The ornamental design for a pager carrier, as shown and described.

DESCRIPTION

FIG. 1 is a perspective view of a pager carrier showing my new design;
FIG. 2 is a front perspective view thereof;
FIG. 3 is a rear elevational view thereof.
FIG. 4 is a right side elevational view thereof.
FIG. 5 is a left side elevational view thereof.
FIG. 6 is a top plan view of the pager carrier; and,
FIG. 7 is a bottom plan view thereof.

1 Claim, 5 Drawing Sheets

[56] References Cited

U.S. PATENT DOCUMENTS

D. 307,673	5/1990	Brown	D3/218
D. 308,910	7/1990	Chane	D2/627
D. 329,750	9/1992	Gilmore	D3/218
D. 351,060	10/1994	Randazzo	D3/218
D. 360,073	7/1995	Schrader et al.	D3/226
D. 370,771	6/1996	Randall	D2/627
D. 379,118	5/1997	Wilson	D3/218
D. 380,605	7/1997	Ramos et al.	D3/218

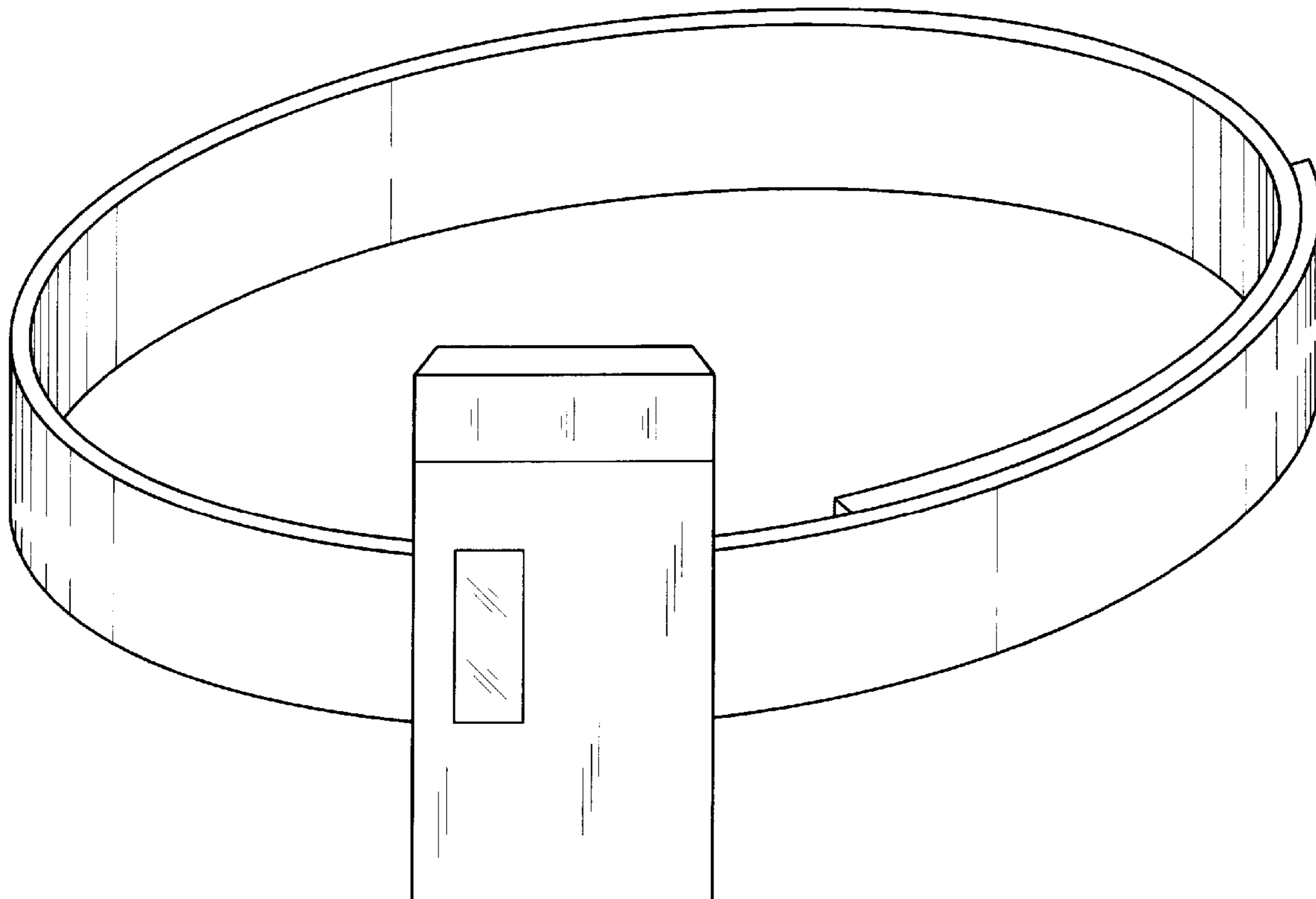


FIG. 1

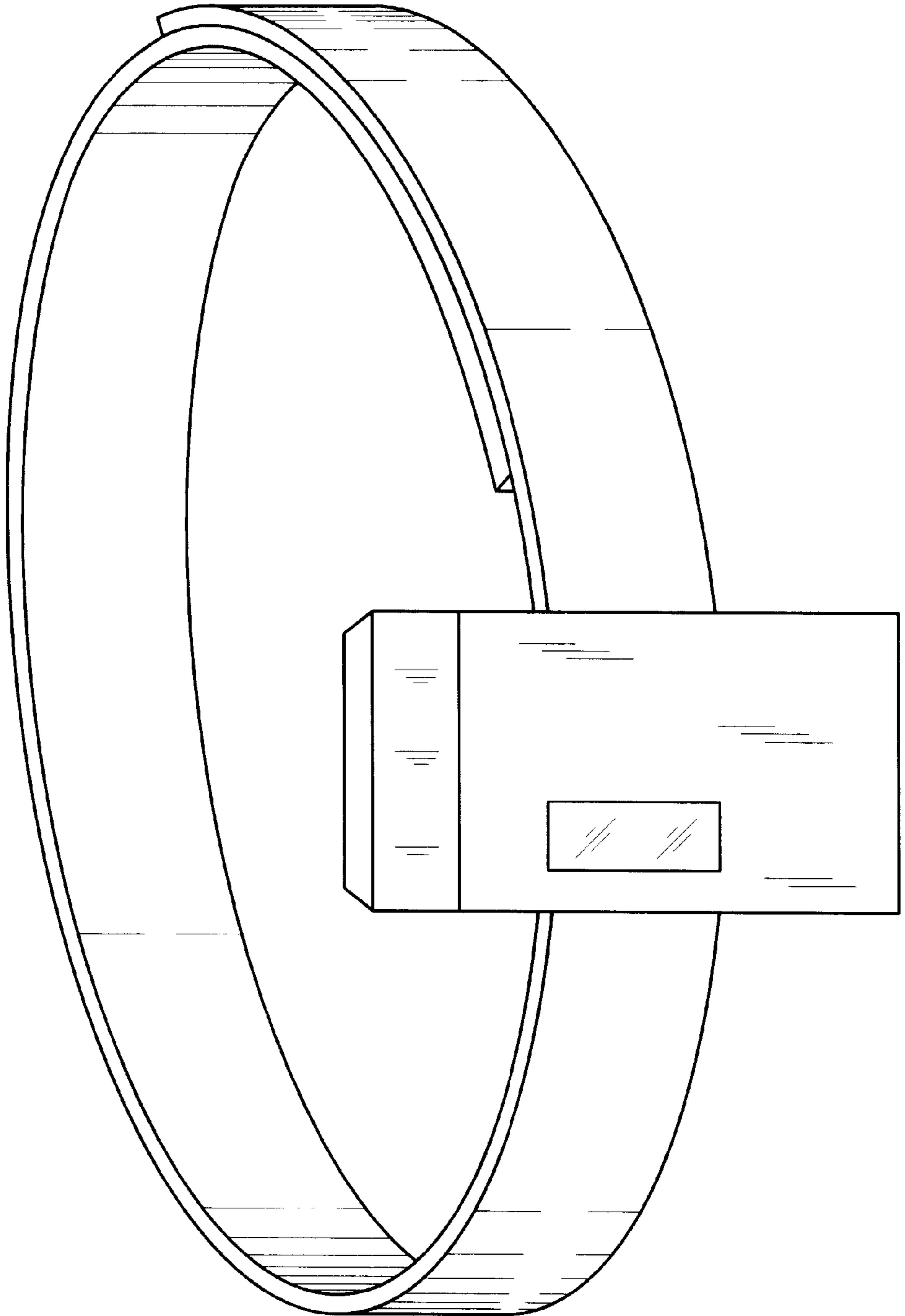


FIG. 2

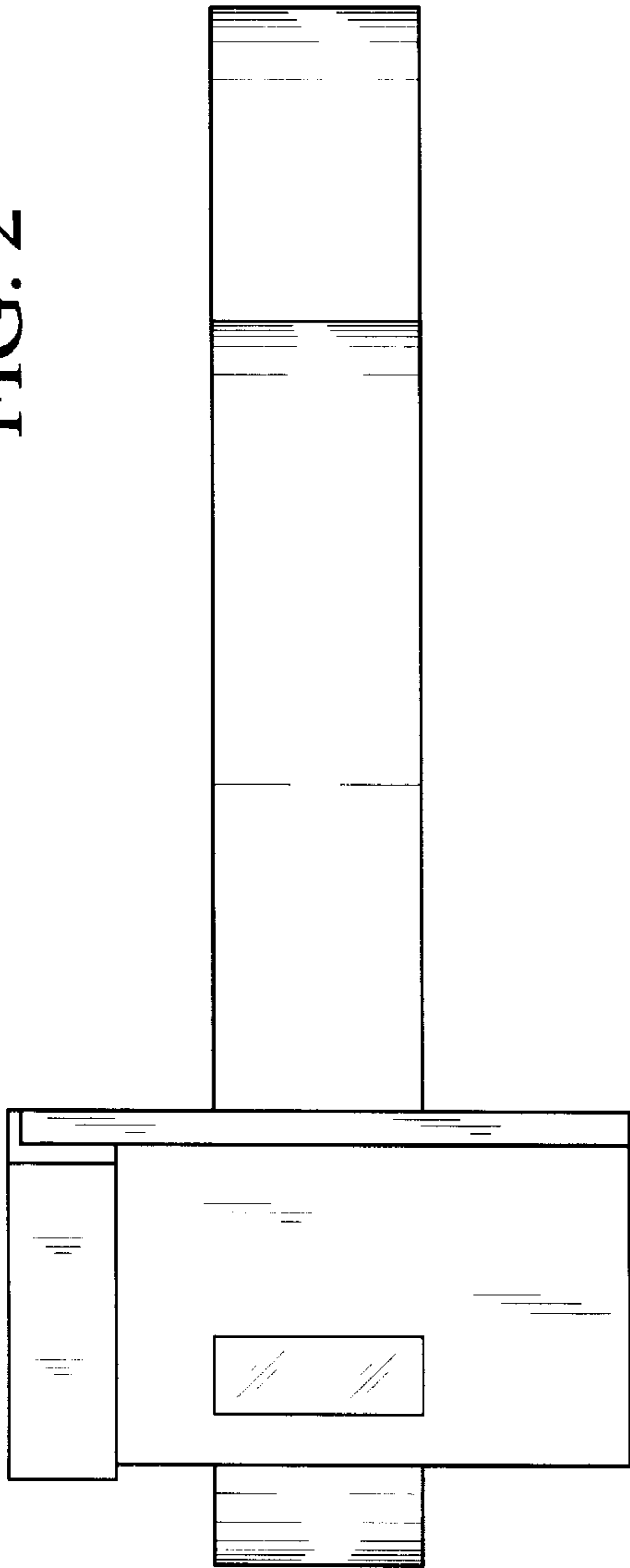


FIG. 3

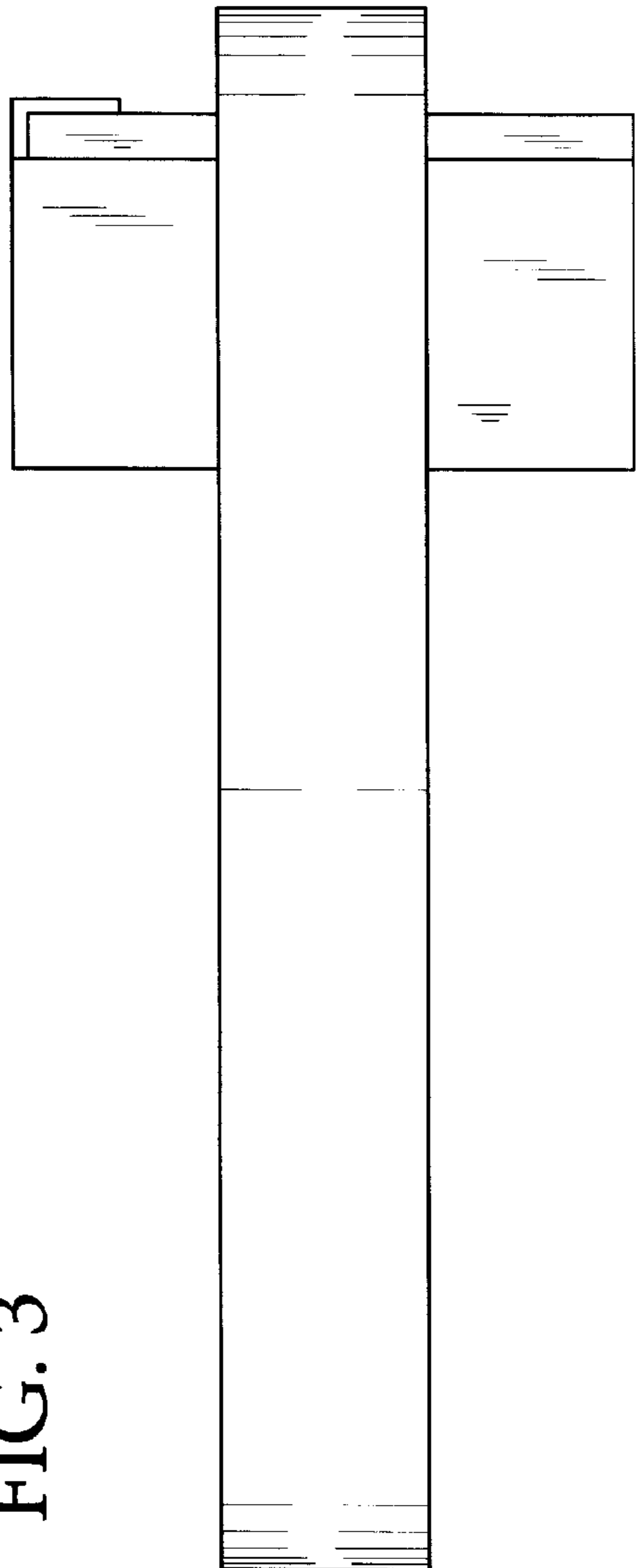


FIG. 4

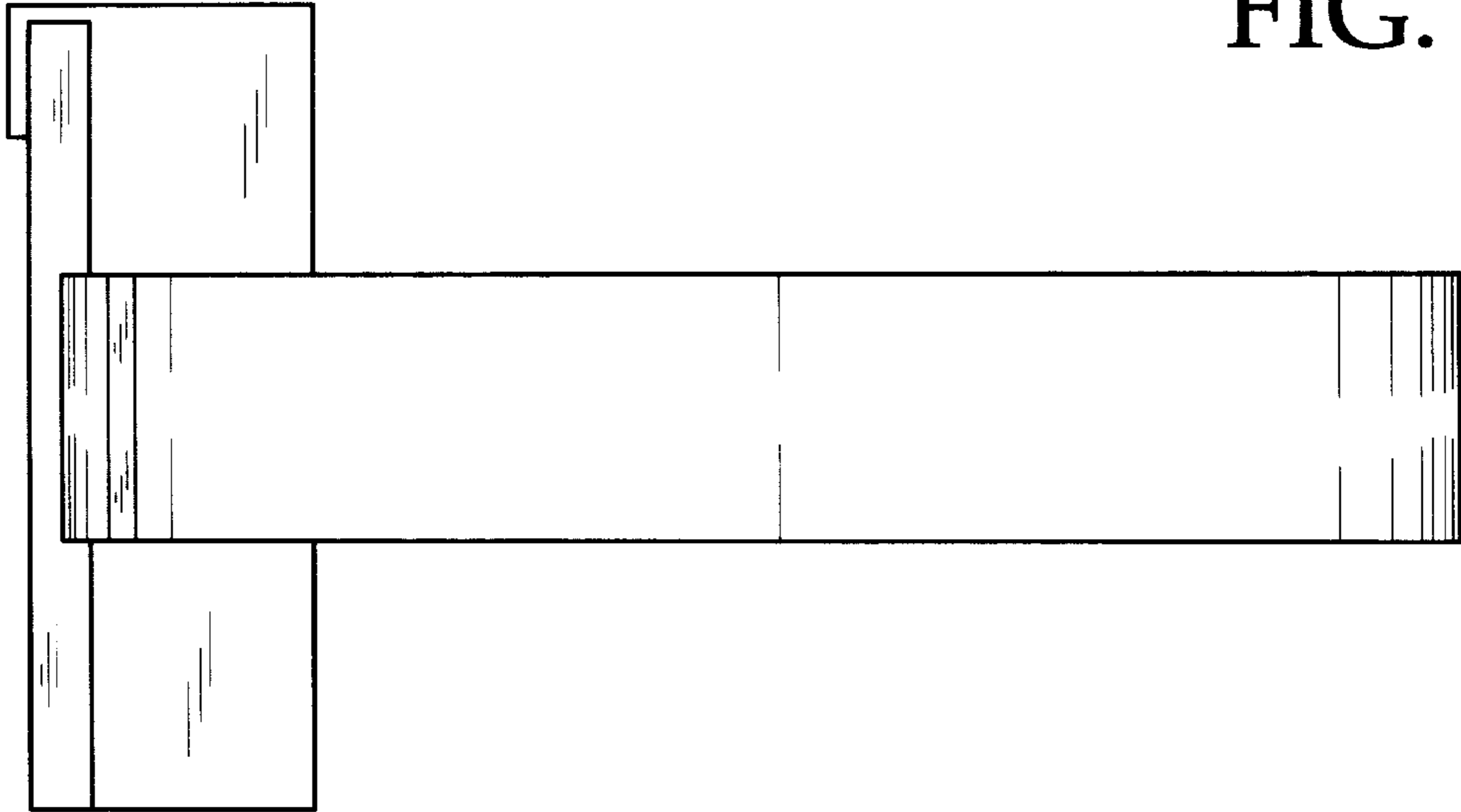


FIG. 5

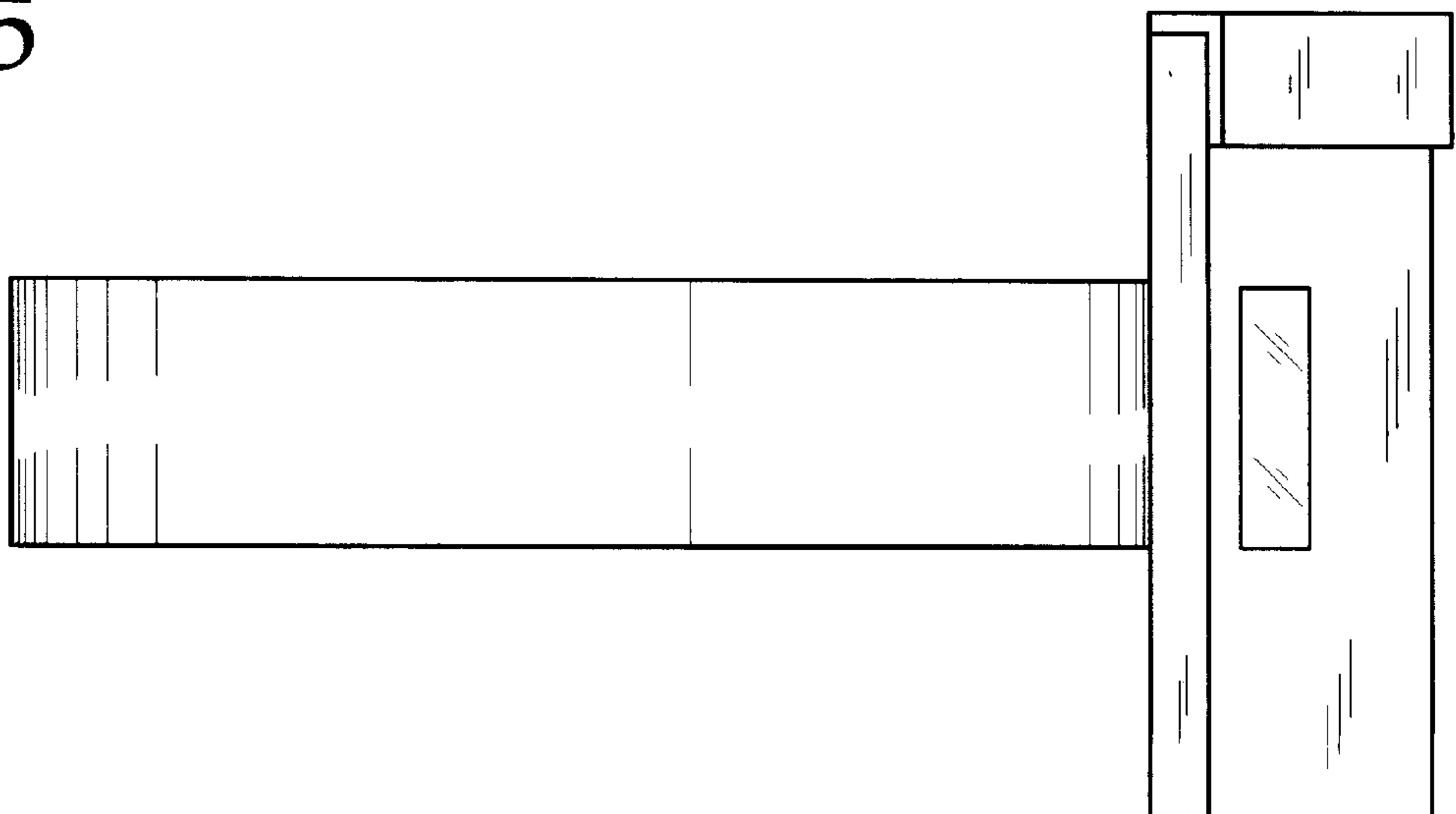


FIG. 6

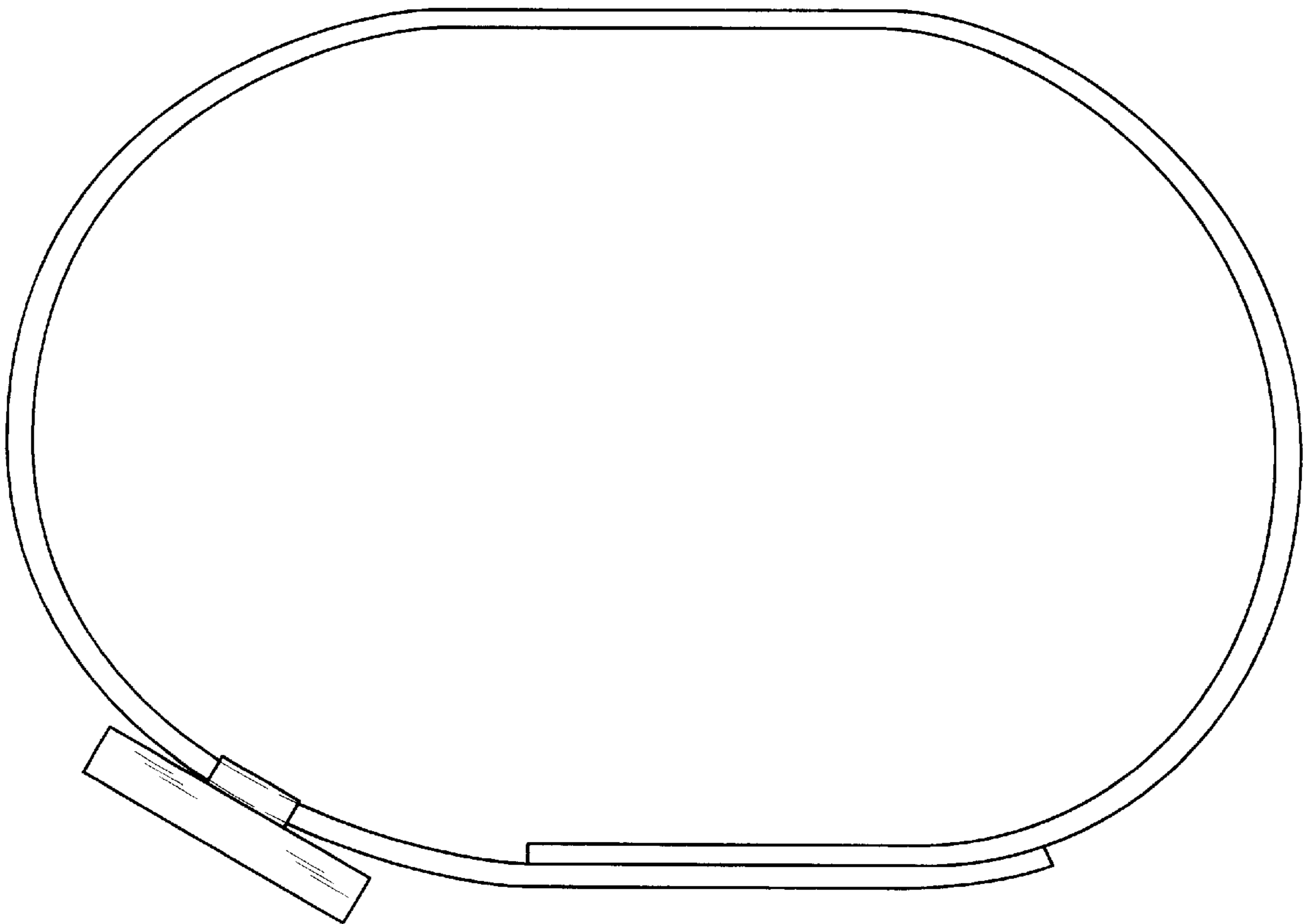


FIG. 7

