



US00D418962S

United States Patent [19] Timms

[11] **Patent Number: Des. 418,962**

[45] **Date of Patent: ** Jan. 11, 2000**

[54] **WASHING MACHINE BANK**

[76] Inventor: **Horace Timms**, 15755 Whipple St.,
Markham, Ill. 60426

[**] Term: **14 Years**

[21] Appl. No.: **29/103,291**

[22] Filed: **Apr. 12, 1999**

[51] **LOC (7) Cl.** **99-00**

[52] **U.S. Cl.** **D99/37**

[58] **Field of Search** D99/34, 35, 37;
D20/1; D32/5.6; 232/4 R, 7, 10; 446/8;
194/344

[56] **References Cited**

U.S. PATENT DOCUMENTS

- D. 350,005 8/1994 Cashor D99/37
- D. 355,066 1/1995 Roberts D99/37
- D. 360,500 7/1995 Millet et al. D32/54 R

- D. 374,954 10/1996 Katz et al. D32/6
- D. 390,333 2/1998 Cheung et al. D99/37

Primary Examiner—Paula A. Mortimer
Attorney, Agent, or Firm—Wood, Phillips, VanSanten, Clark
& Mortimer

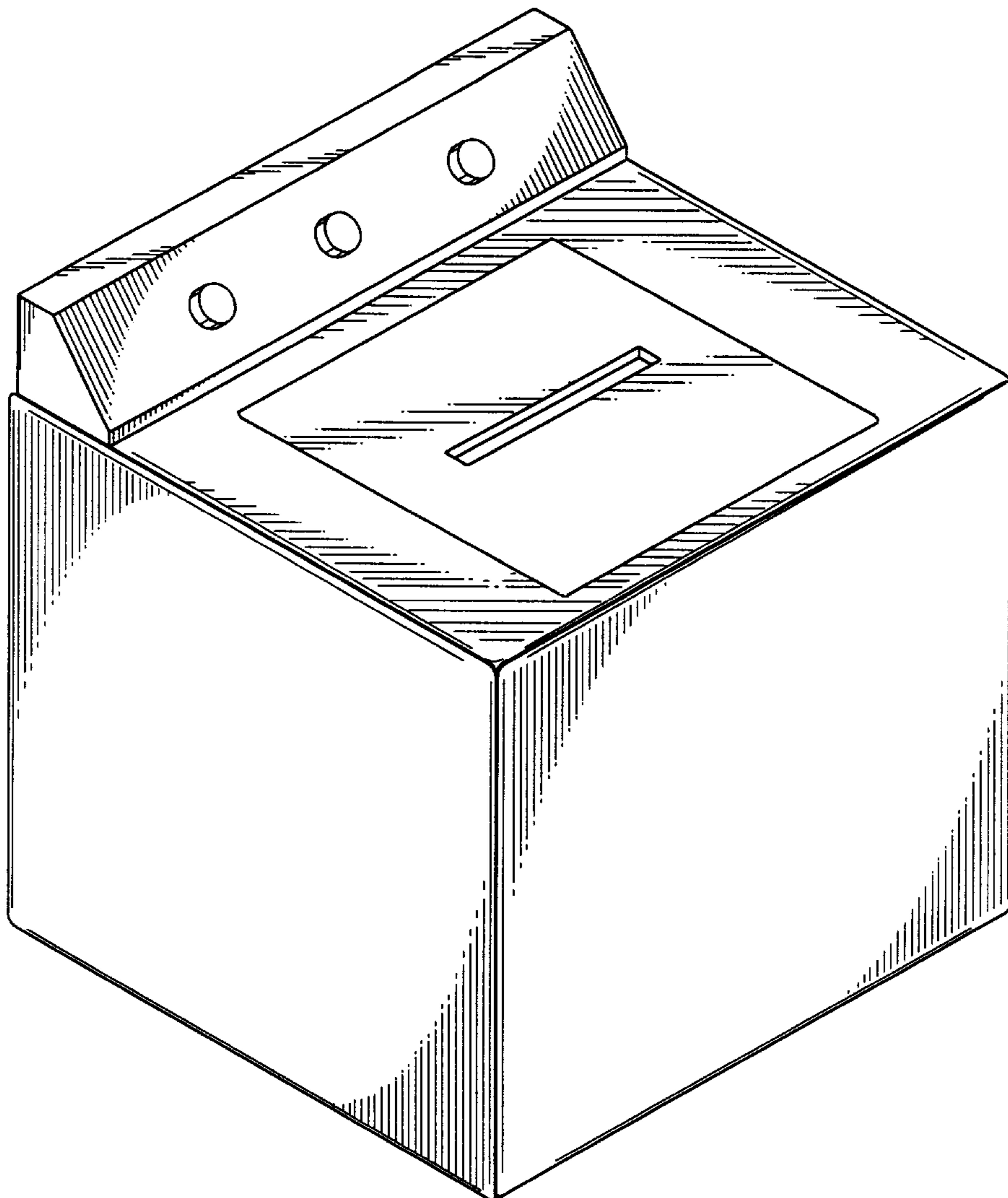
[57] **CLAIM**

The ornamental design of a washing machine bank, as shown and described.

DESCRIPTION

FIG. 1 is a perspective view of the washing machine bank design;
FIG. 2 is a front view of the washing machine bank;
FIG. 3 is a back view of the washing machine bank;
FIG. 4 is a left-side view of the washing machine bank;
FIG. 5 is a right-side view of the washing machine bank;
FIG. 6 is a top view of the washing machine bank; and,
FIG. 7 is a bottom view of the washing machine bank.

1 Claim, 4 Drawing Sheets



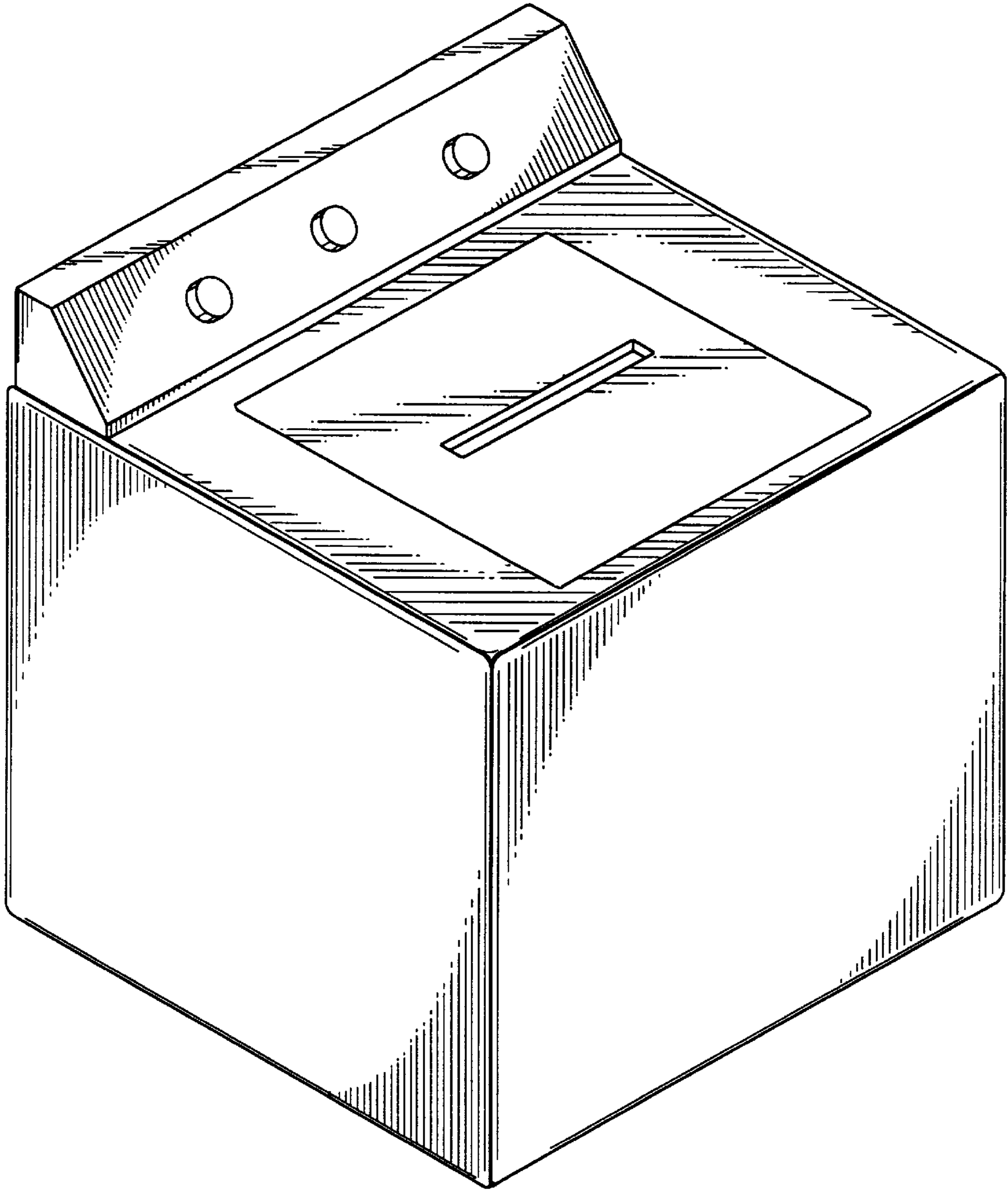


Fig. 1

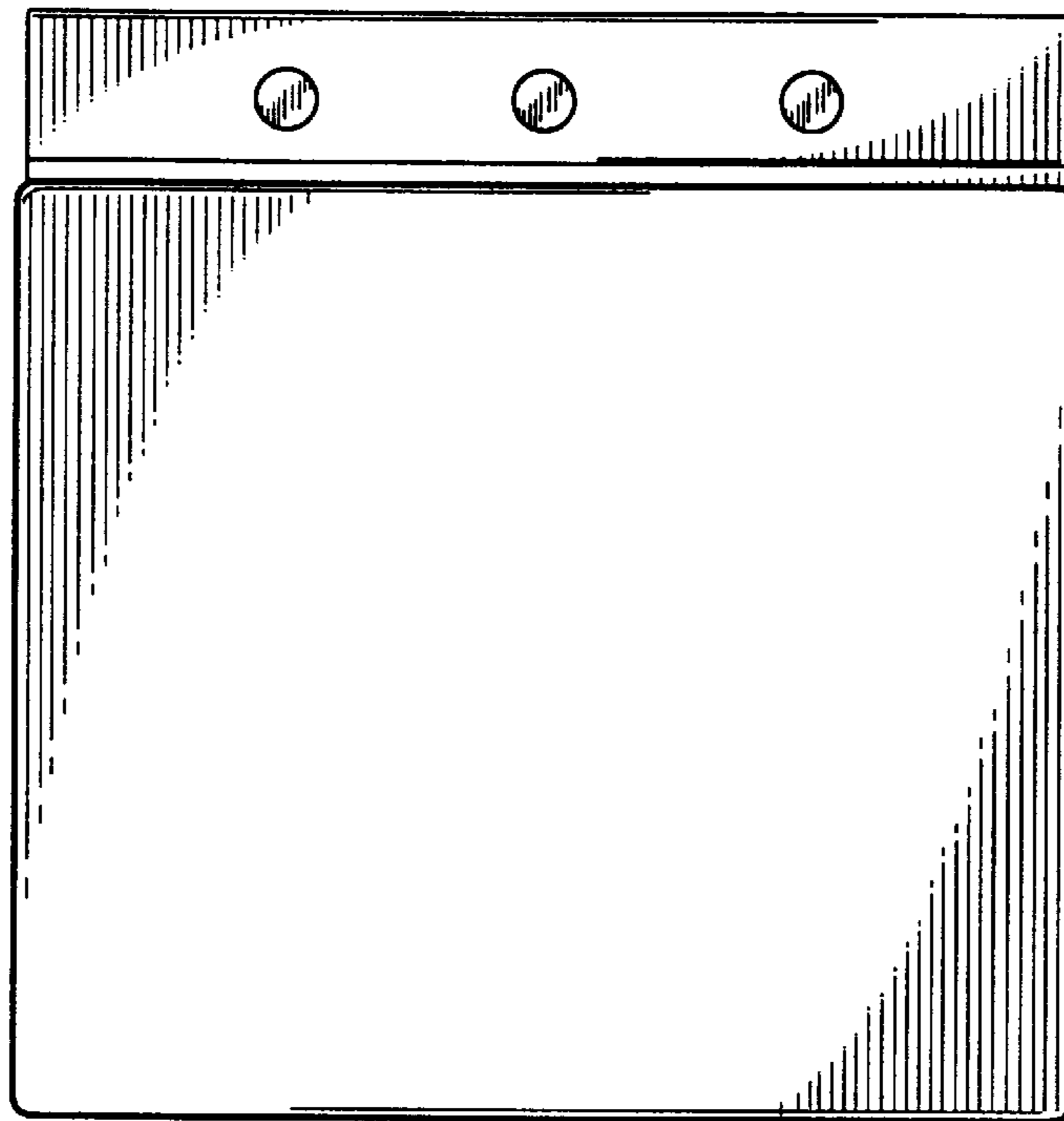


Fig. 2

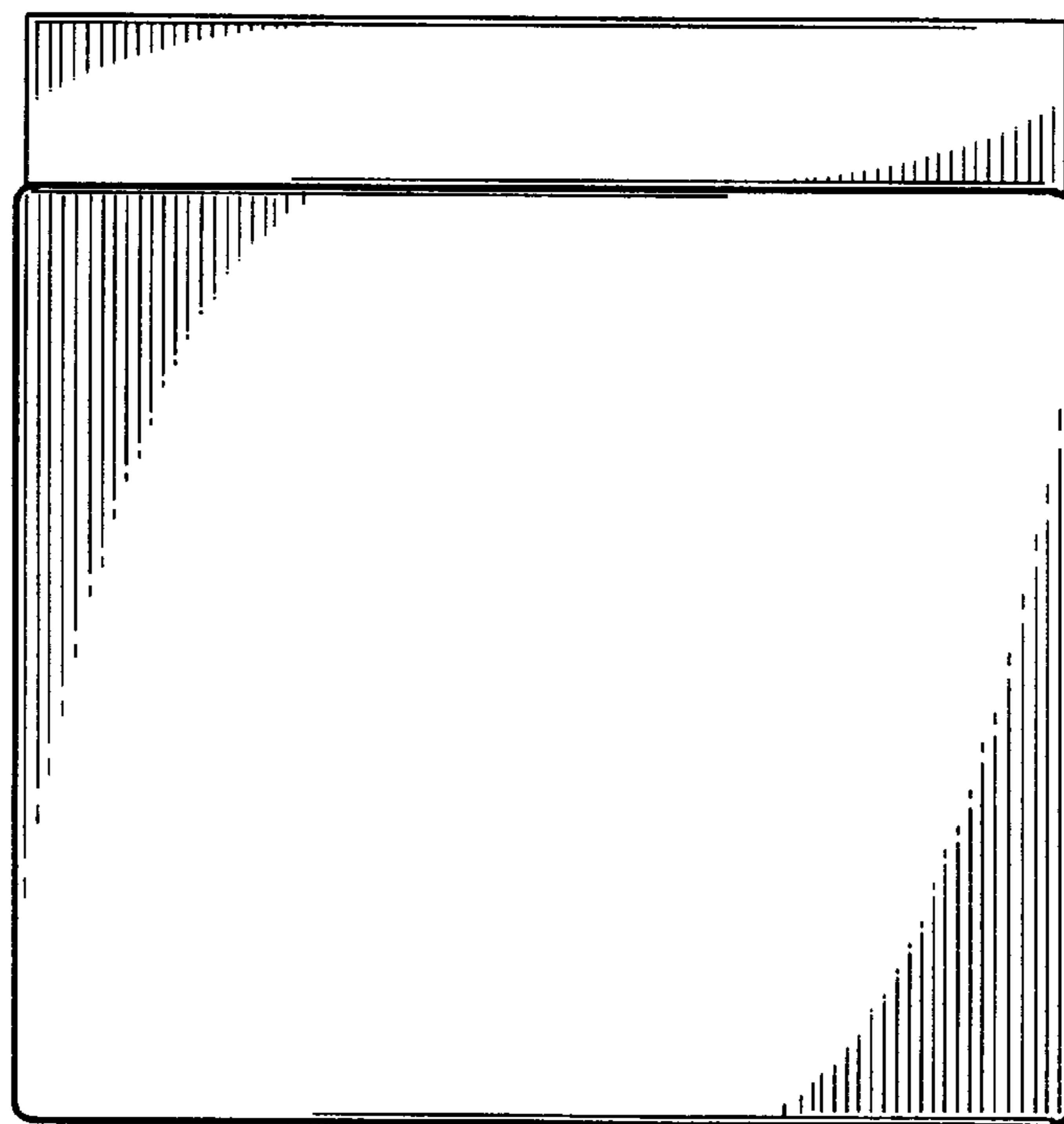


Fig. 3

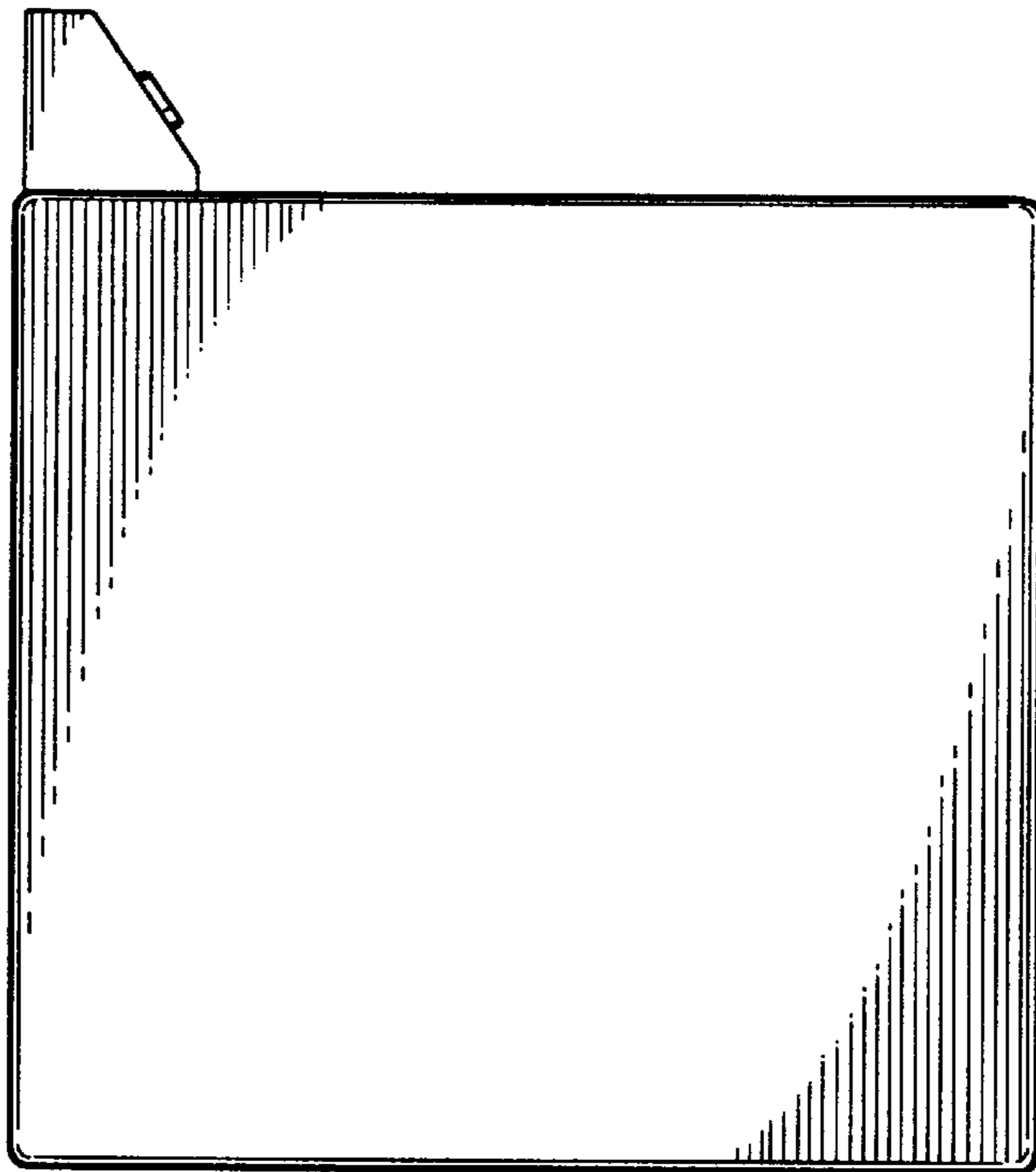


Fig. 4

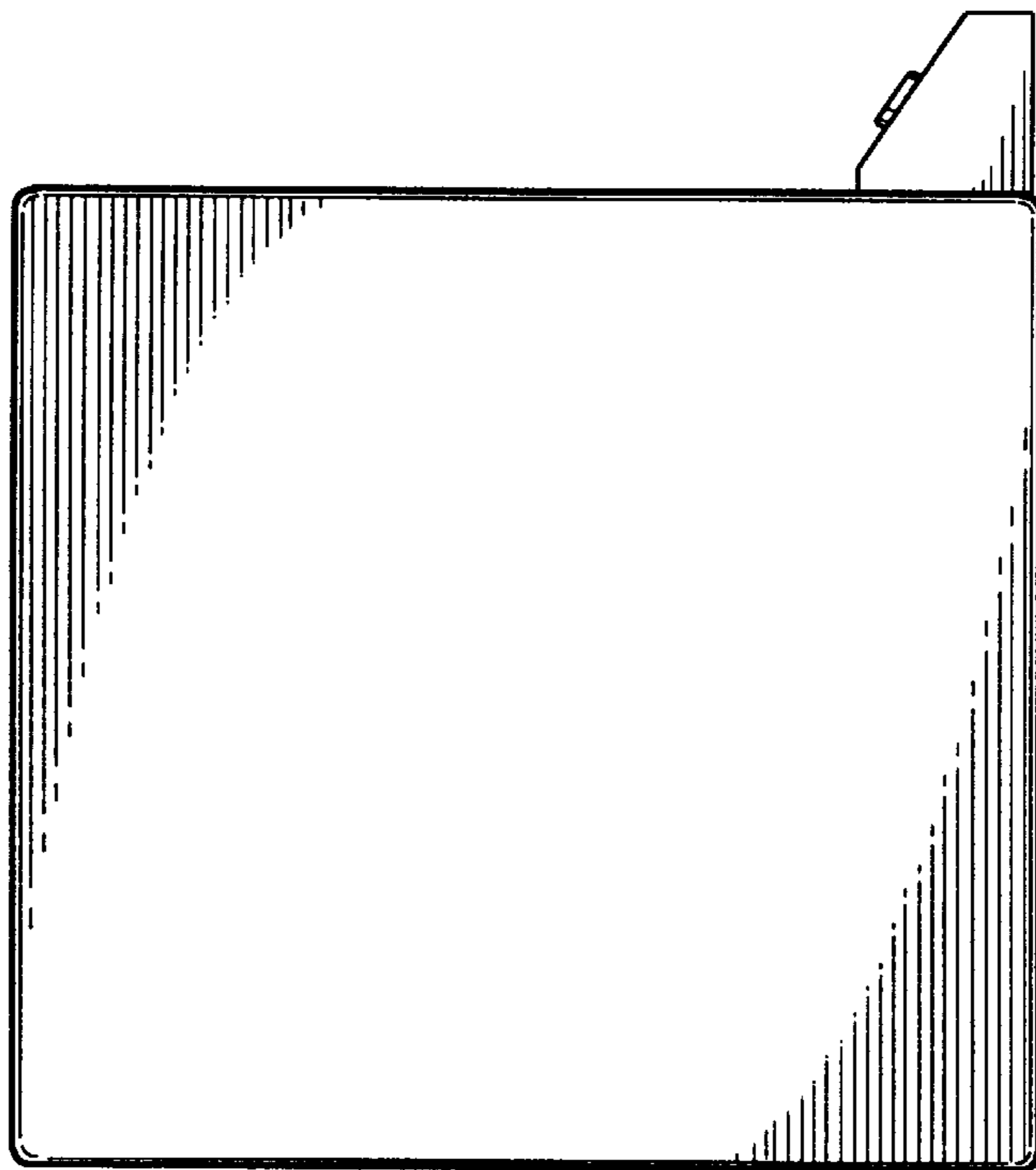


Fig. 5

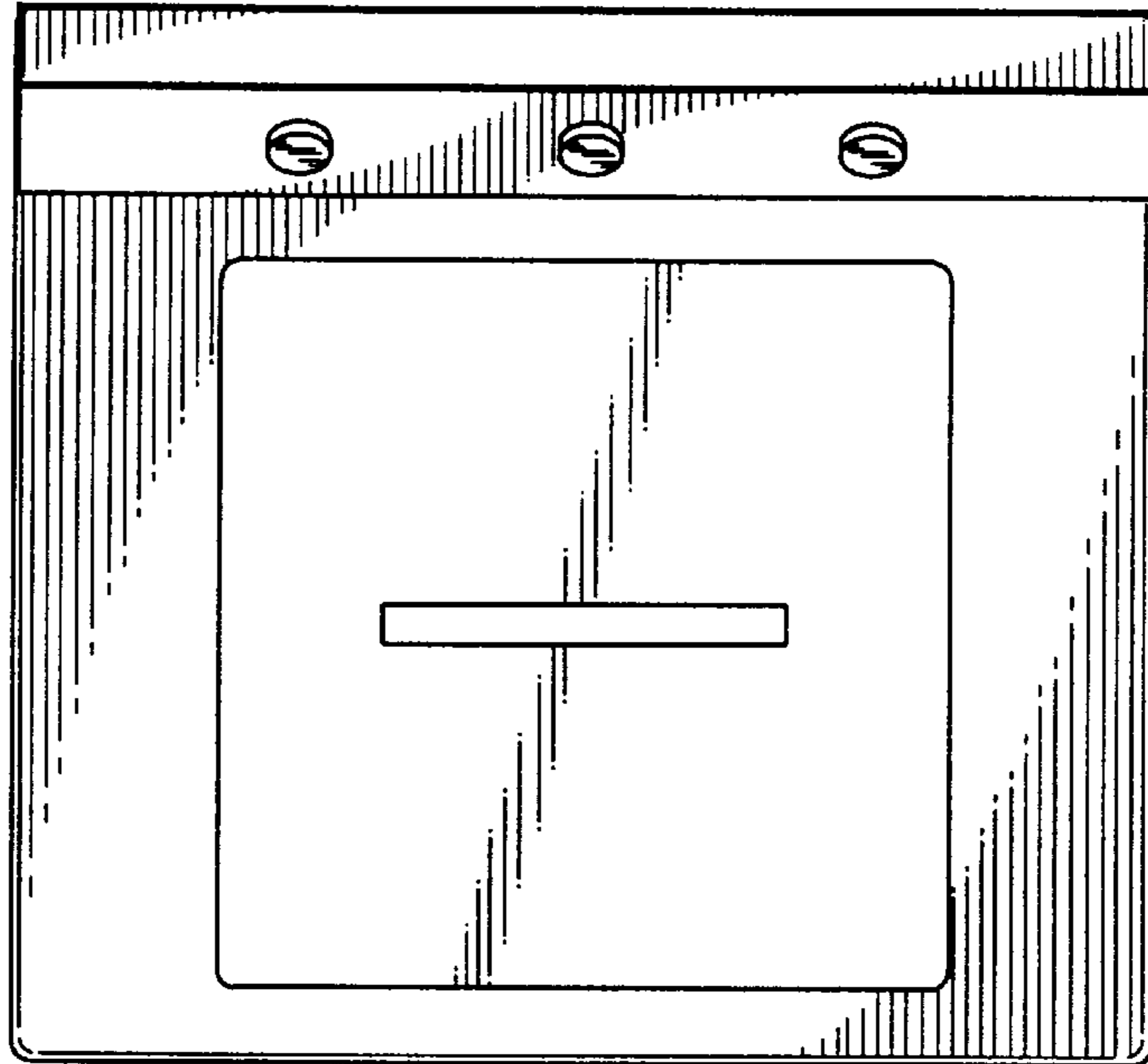


Fig. 6

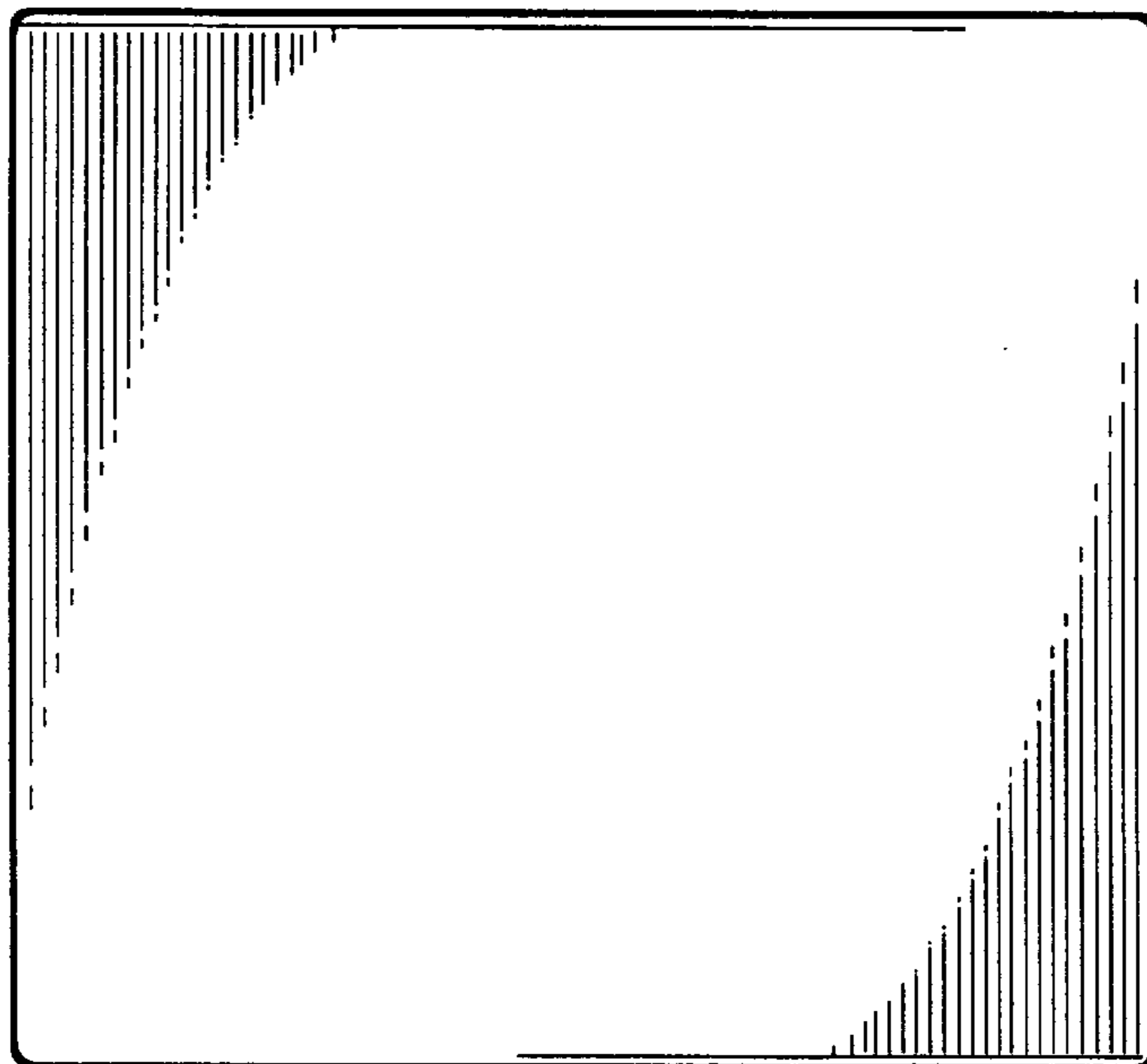


Fig. 7