



US00D418960S

# United States Patent [19]

Wiley

[11] Patent Number: **Des. 418,960**

[45] Date of Patent: **\*\* Jan. 11, 2000**

[54] **PET CASKET**

[76] Inventor: **B. Dale Wiley**, 9008 Forrest Lawn Dr., Brentwood, Tenn. 37027

[\*\*] Term: **14 Years**

[21] Appl. No.: **29/102,630**

[22] Filed: **Mar. 29, 1999**

[51] **LOC (7) Cl.** ..... **99-00**

[52] **U.S. Cl.** ..... **D99/1**

[58] **Field of Search** ..... D99/1, 2, 3, 4, D99/6; 27/1-8; D9/430, 431, 433; D30/108, 161, 199; 229/101, 120.1, 120.05, 120.08

[56] **References Cited**

**U.S. PATENT DOCUMENTS**

D. 292,839	11/1987	Brogdon	.....	D99/1
305,402	9/1884	Otto, Jr.	.....	27/6 X
D. 403,832	1/1999	Gerke	.....	D99/1
657,197	9/1900	Hills	.....	229/117.01
5,725,144	3/1998	Stone et al.	.....	229/101

*Primary Examiner*—Paula A. Mortimer  
*Attorney, Agent, or Firm*—Waddey & Patterson; I. C. Waddey, Jr.

[57] **CLAIM**

The ornamental design for a pet casket, as shown and described.

**DESCRIPTION**

FIG. 1 is a front perspective view showing the pet casket of applicant's invention;

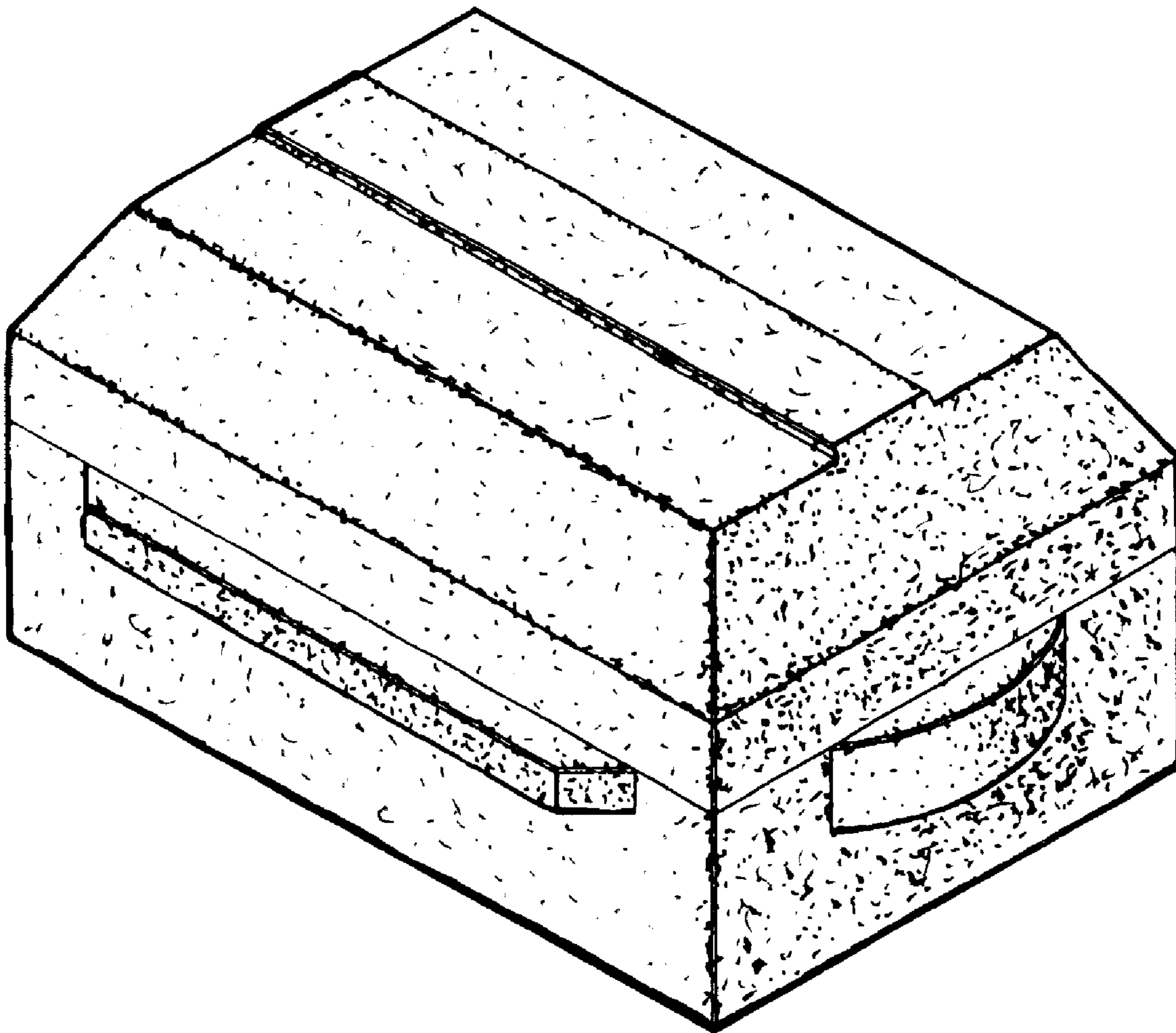
FIG. 2 is a top elevation of the pet casket of applicant's invention;

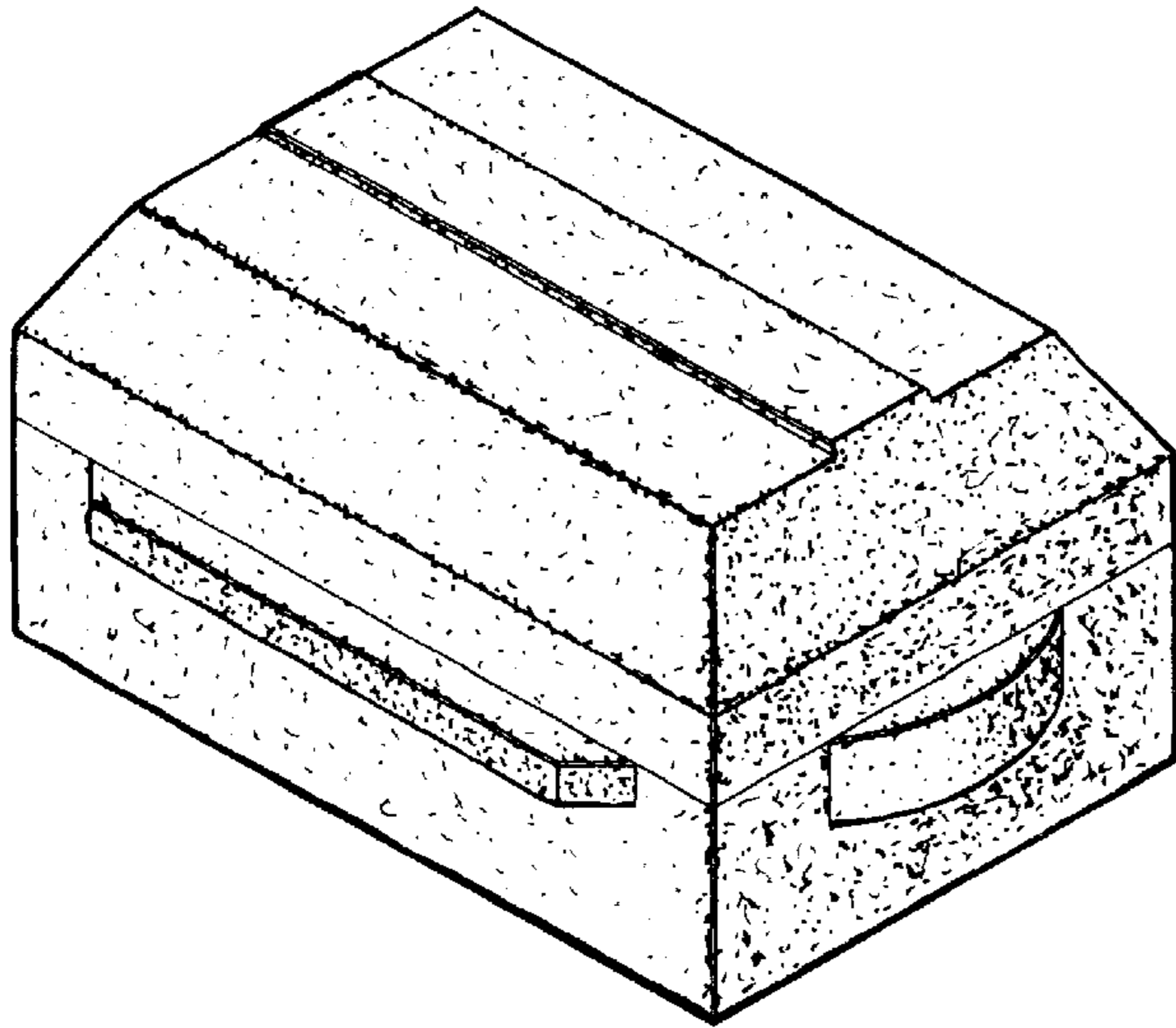
FIG. 3 is a left side elevation of the pet casket of applicant's invention, both sides being identical;

FIG. 4 is a bottom elevation of the pet casket of applicant's invention; and,

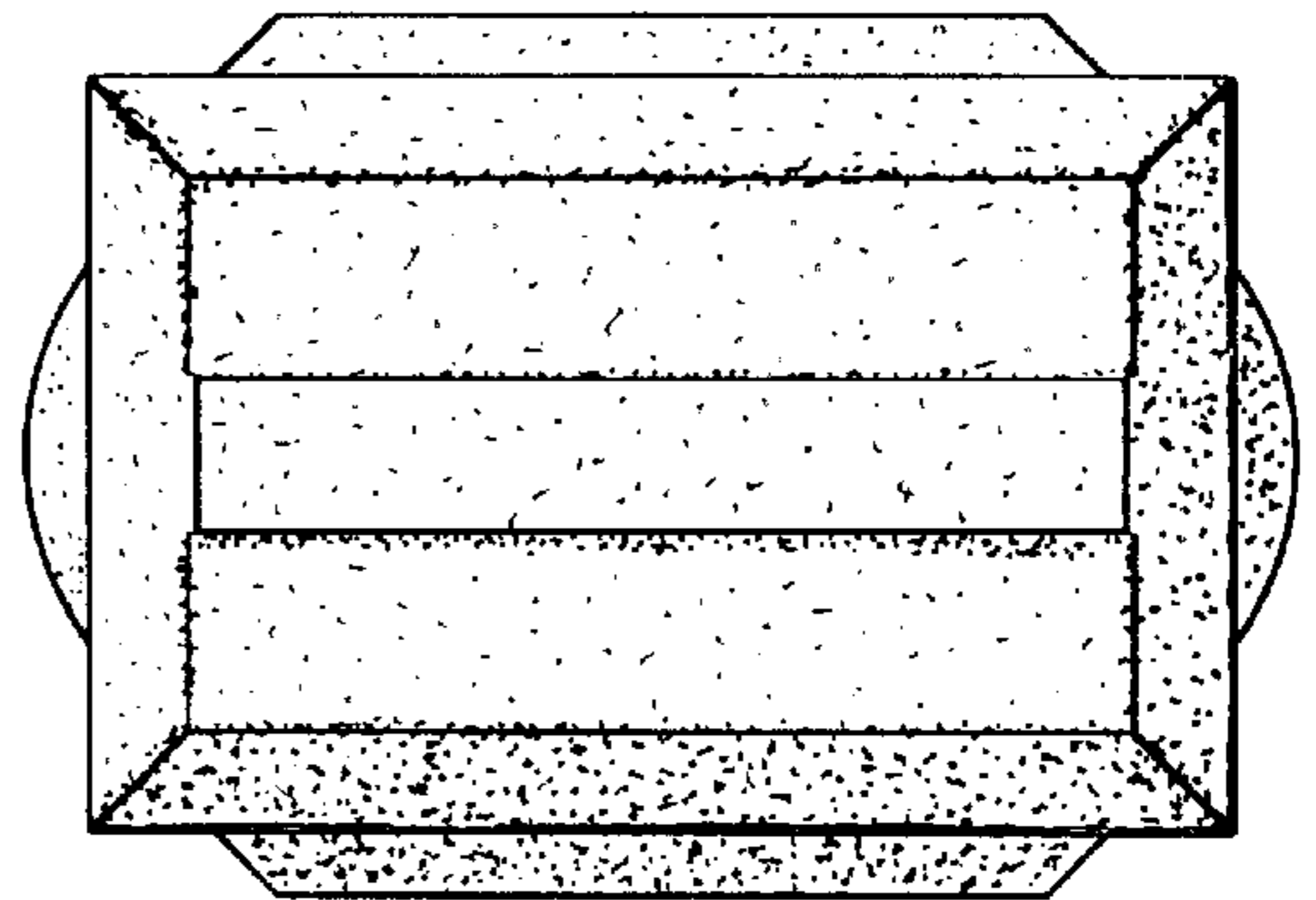
FIG. 5 is a front elevation of the pet casket of applicant's invention, both front and back sides of the case being identical.

**1 Claim, 1 Drawing Sheet**

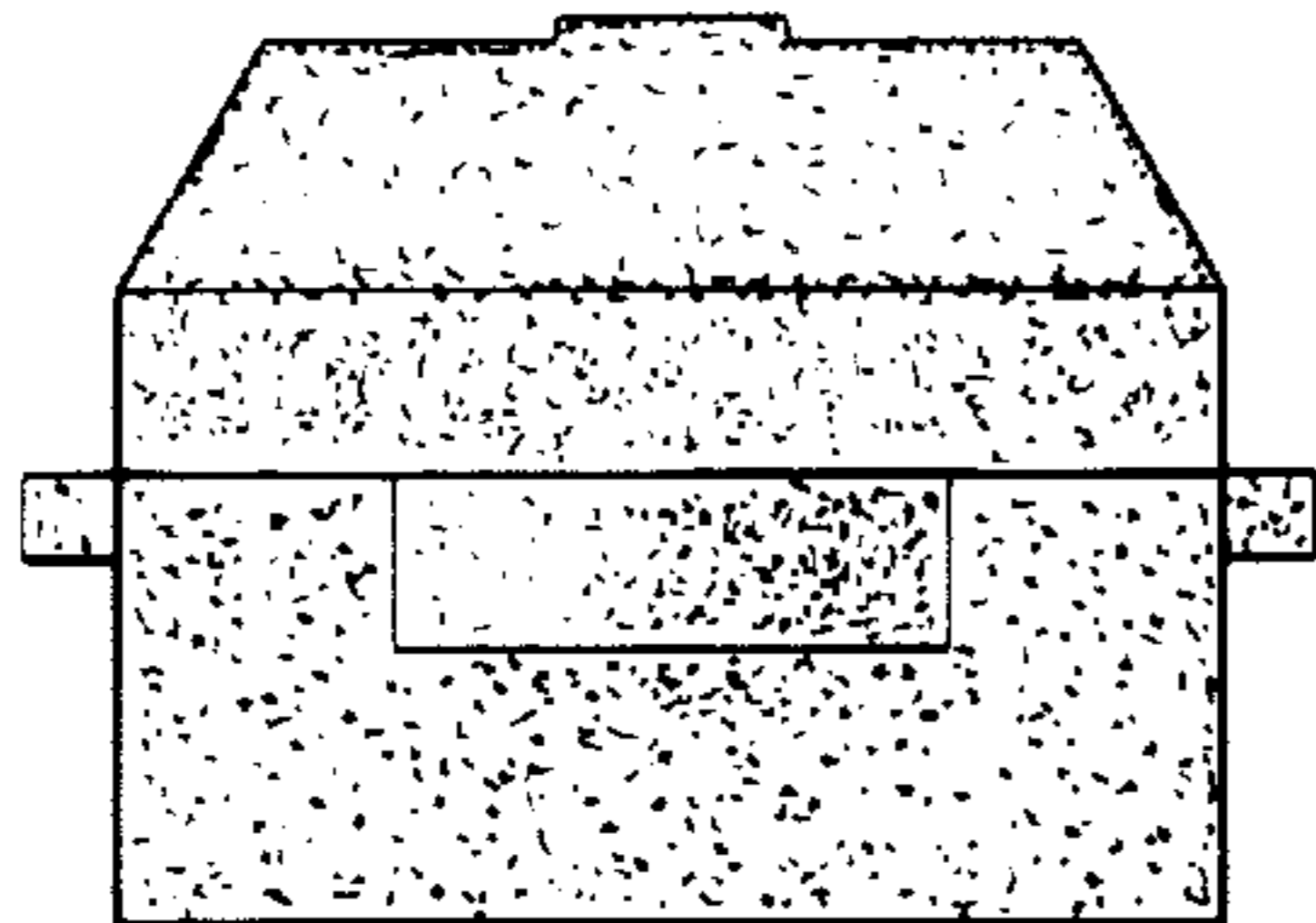




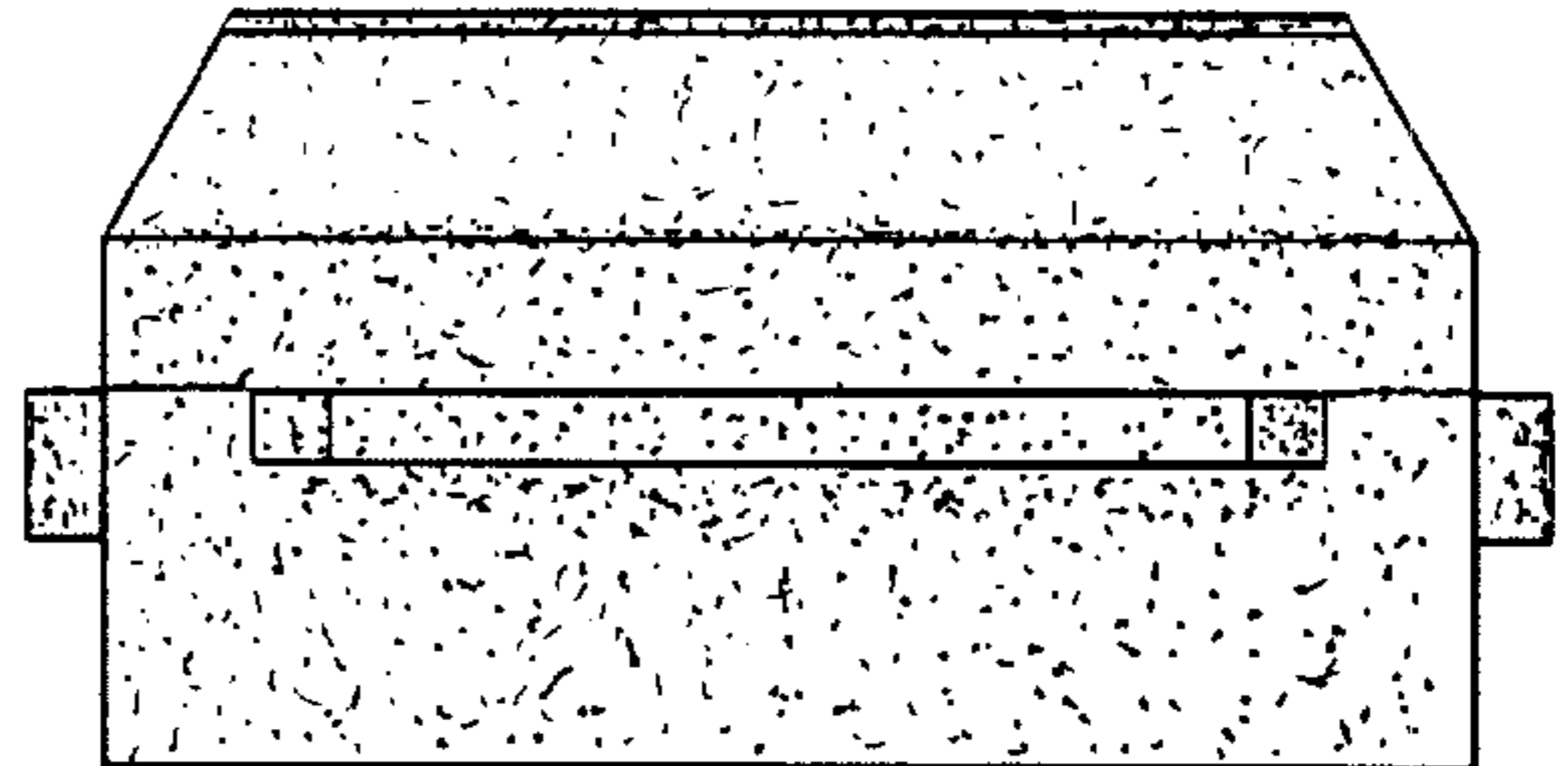
*FIG. 1*



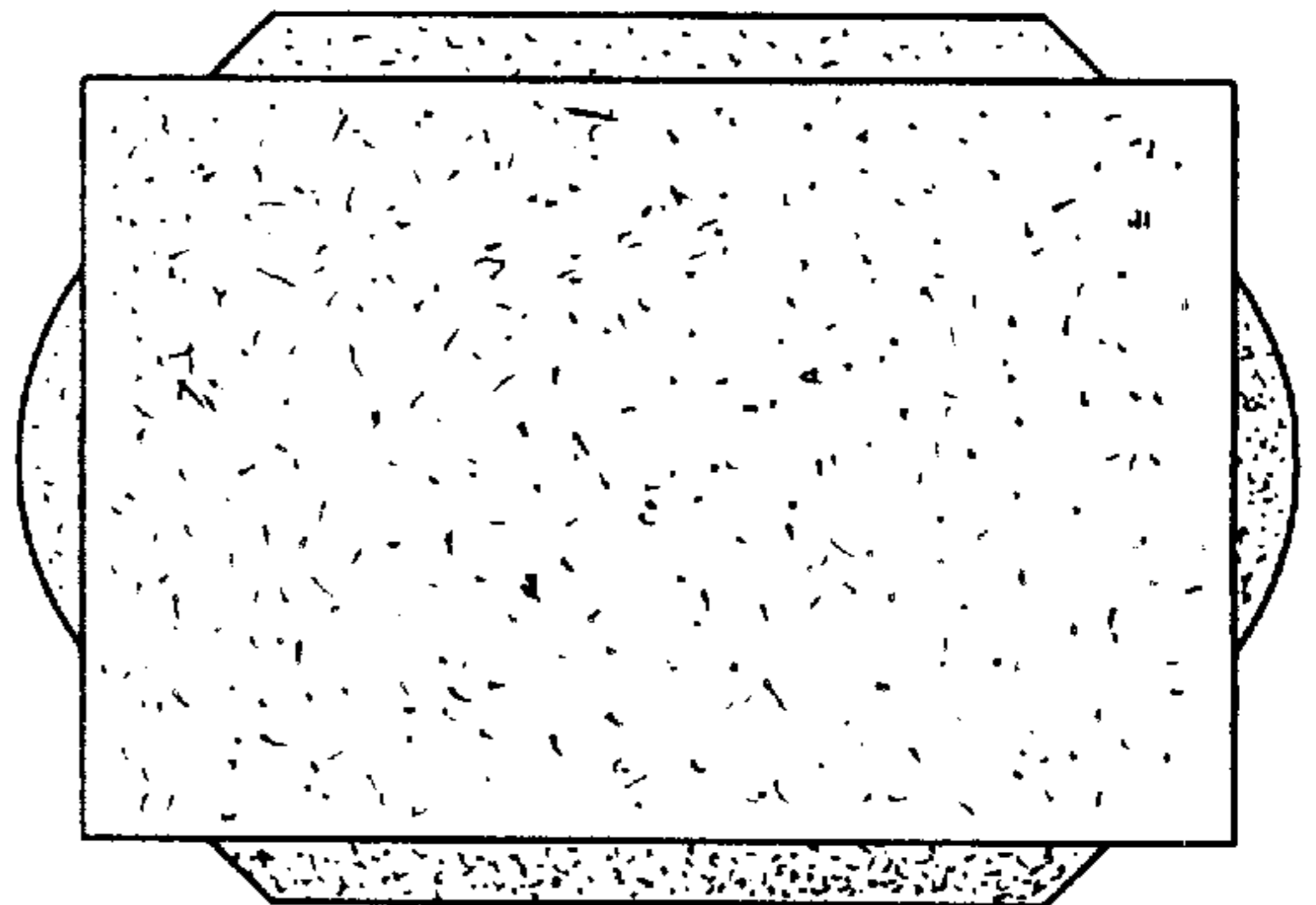
*FIG. 2*



*FIG. 5*



*FIG. 3*



*FIG. 4*