



US00D418953S

United States Patent [19]

Farone et al.

[11] Patent Number: **Des. 418,953**

[45] Date of Patent: **** Jan. 11, 2000**

[54] UPRIGHT VACUUM CLEANER

[75] Inventors: **Richard C. Farone**, Wickliffe; **Craig M. Saunders**, Rocky River; **Jeffrey M. Kalman**; **Paul D. Stephens**, both of Cleveland Heights; **Robert A. Salo**, Willoughby; **Charles J. Thur**, Broadview Heights; **Michael F. Wright**, Cuyahoga Falls, all of Ohio

[73] Assignee: **Royal Appliance Mfg. Co.**, Cleveland, Ohio

[**] Term: **14 Years**

[21] Appl. No.: **29/070,039**

[22] Filed: **Apr. 25, 1997**

Related U.S. Application Data

[63] Continuation-in-part of application No. 29/065,464, Jan. 22, 1997.

[51] LOC (7) Cl. **15-05**

[52] U.S. Cl. **D32/31; D32/32**

[58] Field of Search D32/21-22, 31-34; 15/320-321, 329, 335, 344, 346-347, 350-353, 412; 55/337, 342, 345, 429, 439, 472, 436, 459.1, DIG. 3

[56] References Cited

U.S. PATENT DOCUMENTS

- D. 325,658 4/1992 Brewin D32/22
- D. 335,556 5/1993 Kuriya D32/22
- D. 347,500 5/1994 Abe et al. D32/22

- D. 358,236 5/1995 Kopco et al. D32/22
- D. 358,913 5/1995 Sugiyama et al. D32/22
- D. 368,559 4/1996 Abe et al. D32/22
- D. 368,560 4/1996 Abe et al. D32/22
- D. 368,994 4/1996 Abe et al. D32/22
- D. 379,692 6/1997 Abe D32/22
- D. 387,517 12/1997 Abe et al. D32/22

Primary Examiner—Ruth McInroy
Attorney, Agent, or Firm—Fay, Sharpe, Beall, Fagan, Minnich & McKee

[57] CLAIM

The ornamental design for an upright vacuum cleaner, as shown and described.

DESCRIPTION

FIG. 1 is perspective view of a first embodiment of an upright vacuum cleaner, including a edge and corner cleaning attachment, showing our new design;

FIG. 2 is a front elevational view of the vacuum cleaner of FIG. 1;

FIG. 3 is a right side elevational view of the vacuum cleaner of FIG. 1;

FIG. 4 is a left side elevational view of the vacuum cleaner of FIG. 1;

FIG. 5 is a rear elevational view of the vacuum cleaner of FIG. 1;

FIG. 6 is a top plan view of the vacuum cleaner of FIG. 1; and,

FIG. 7 is a bottom plan view of the vacuum cleaner of FIG. 1.

The broken lines in FIGS. 1-7 are for illustrative purposes only and form no part of the claimed design.

1 Claim, 6 Drawing Sheets

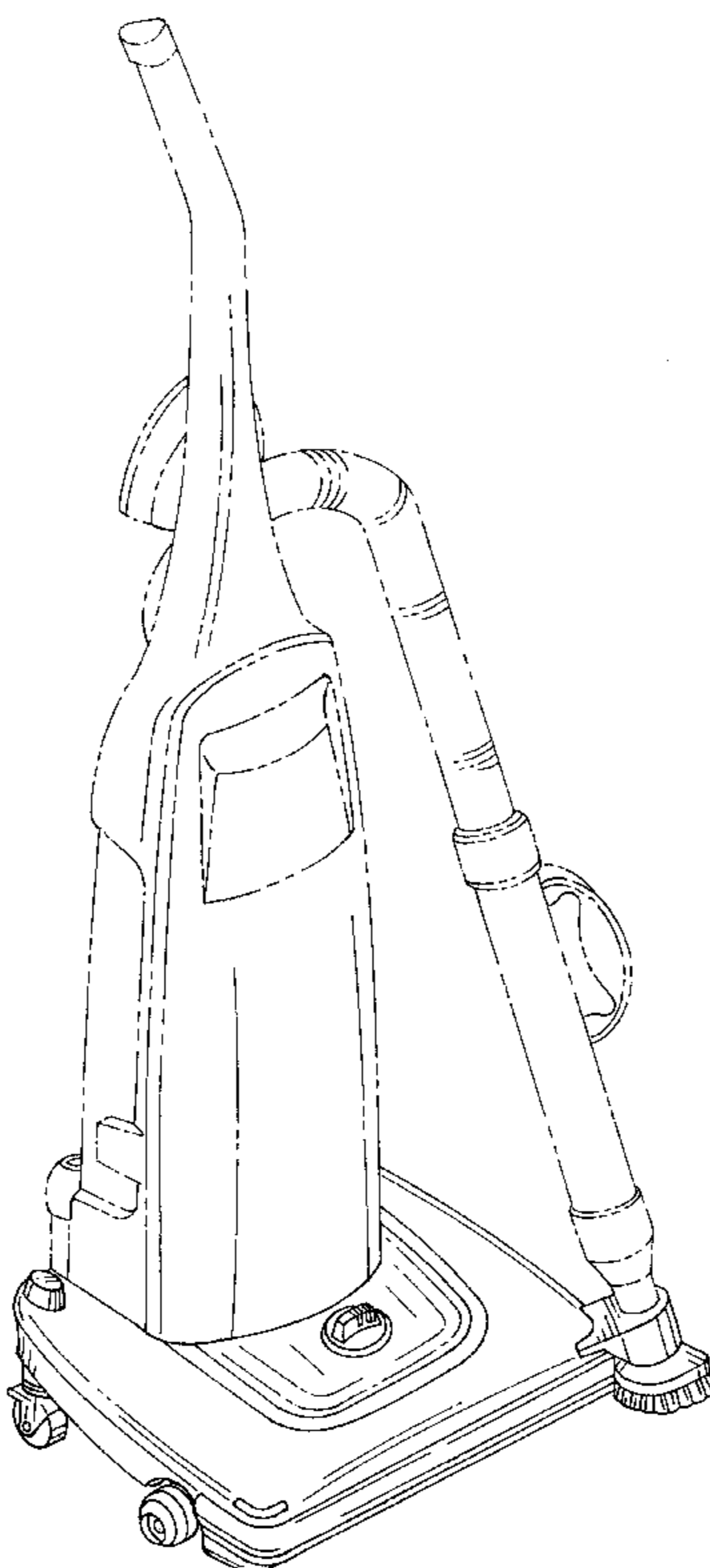


FIG. 1

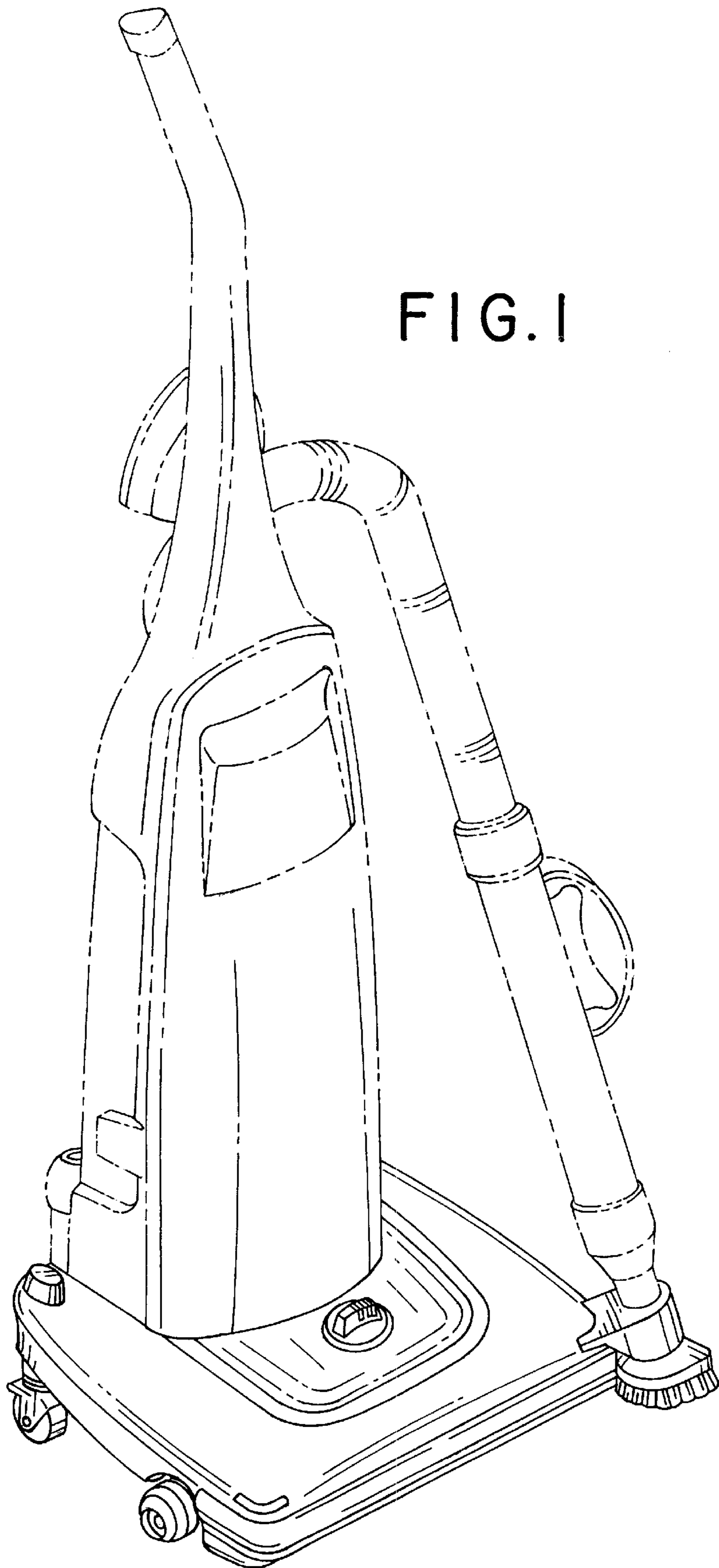
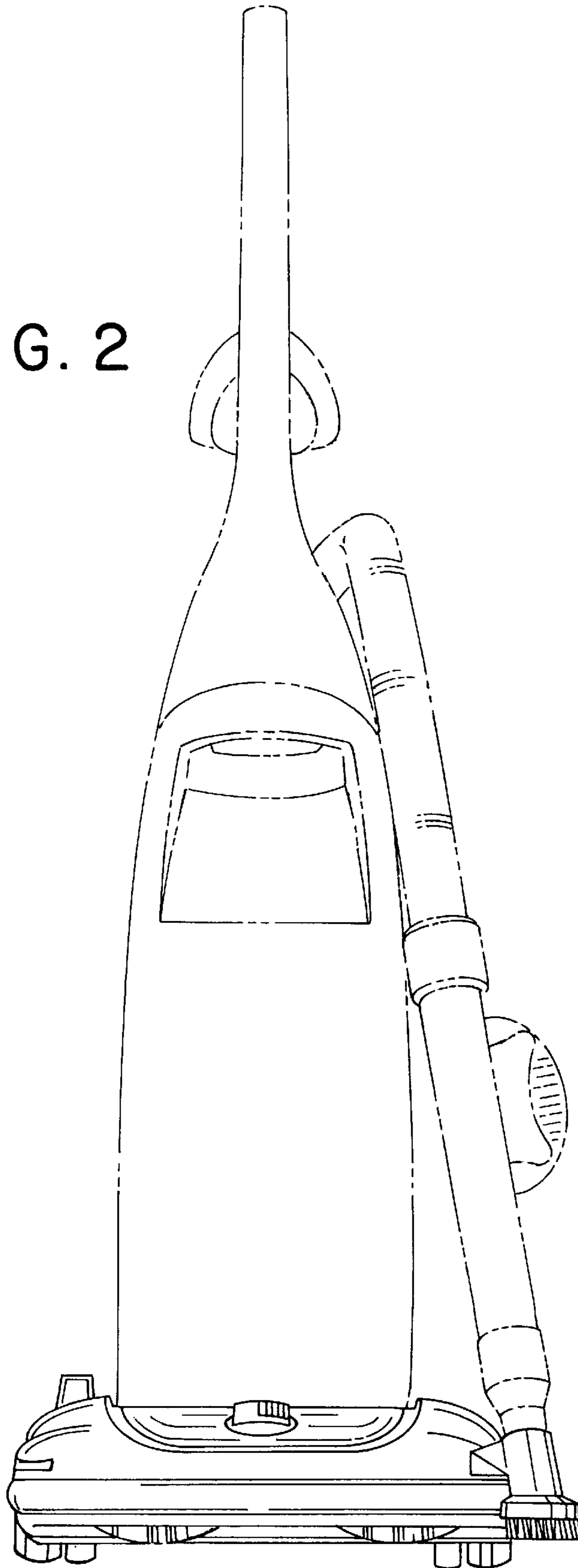


FIG. 2



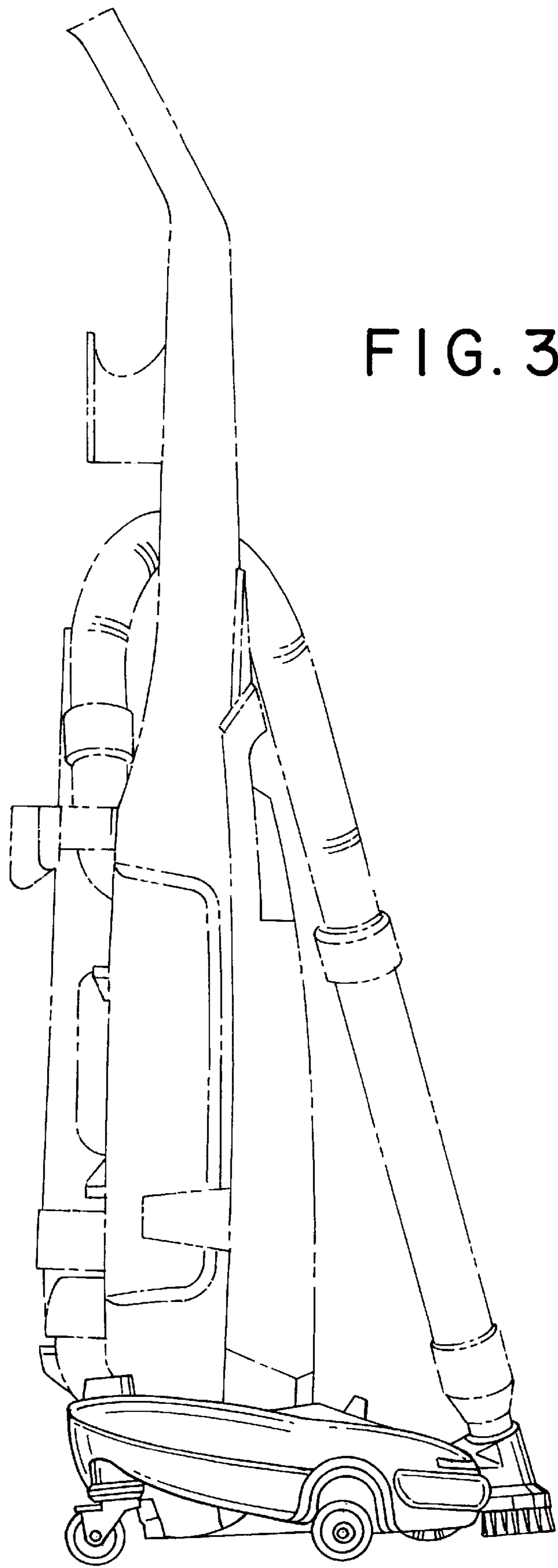


FIG. 3

FIG. 4

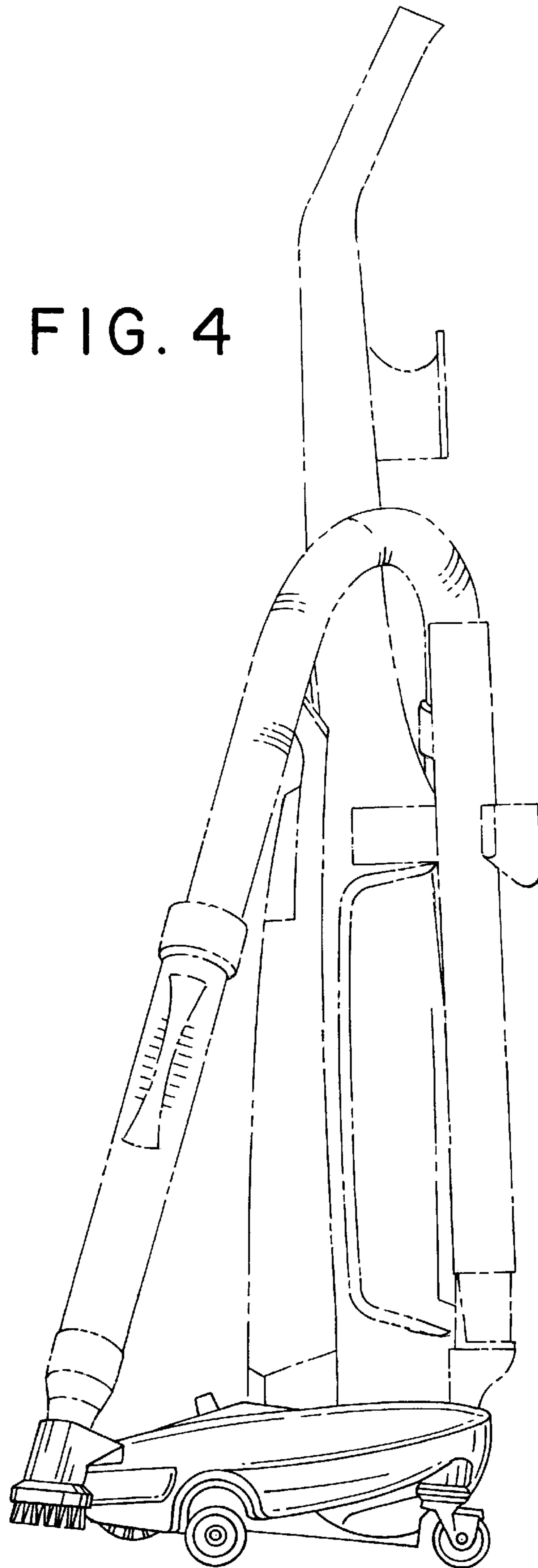
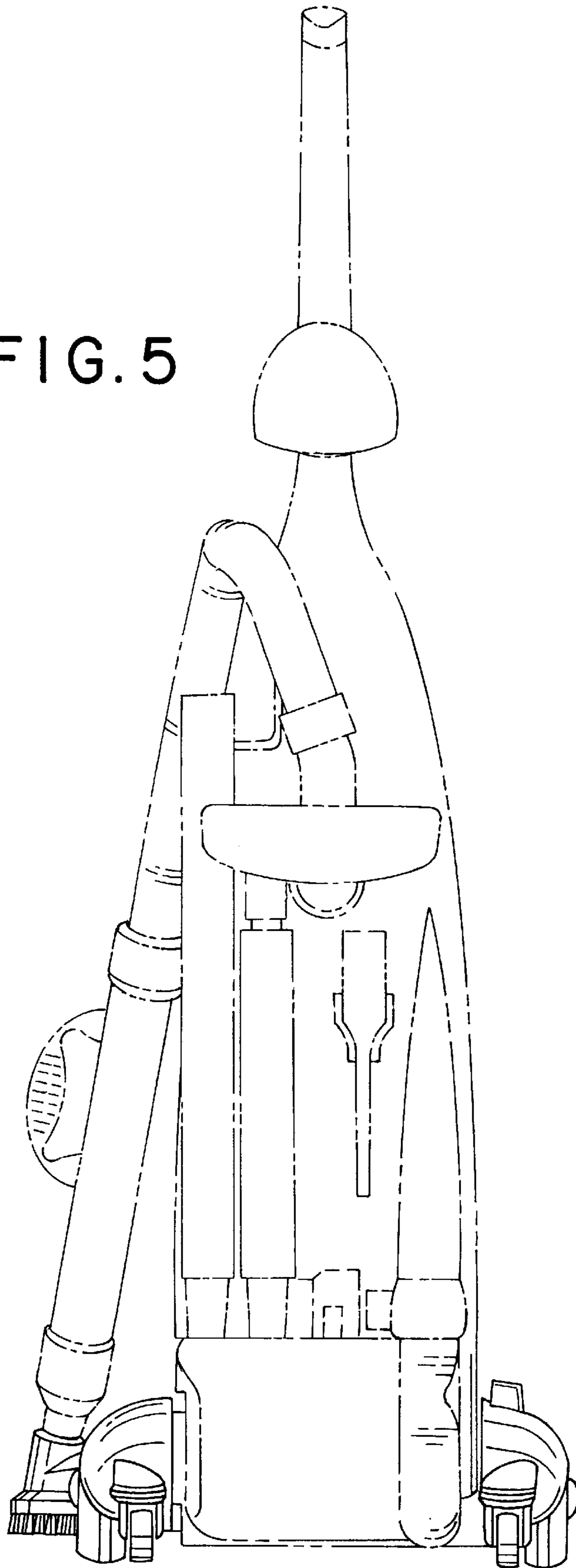


FIG. 5



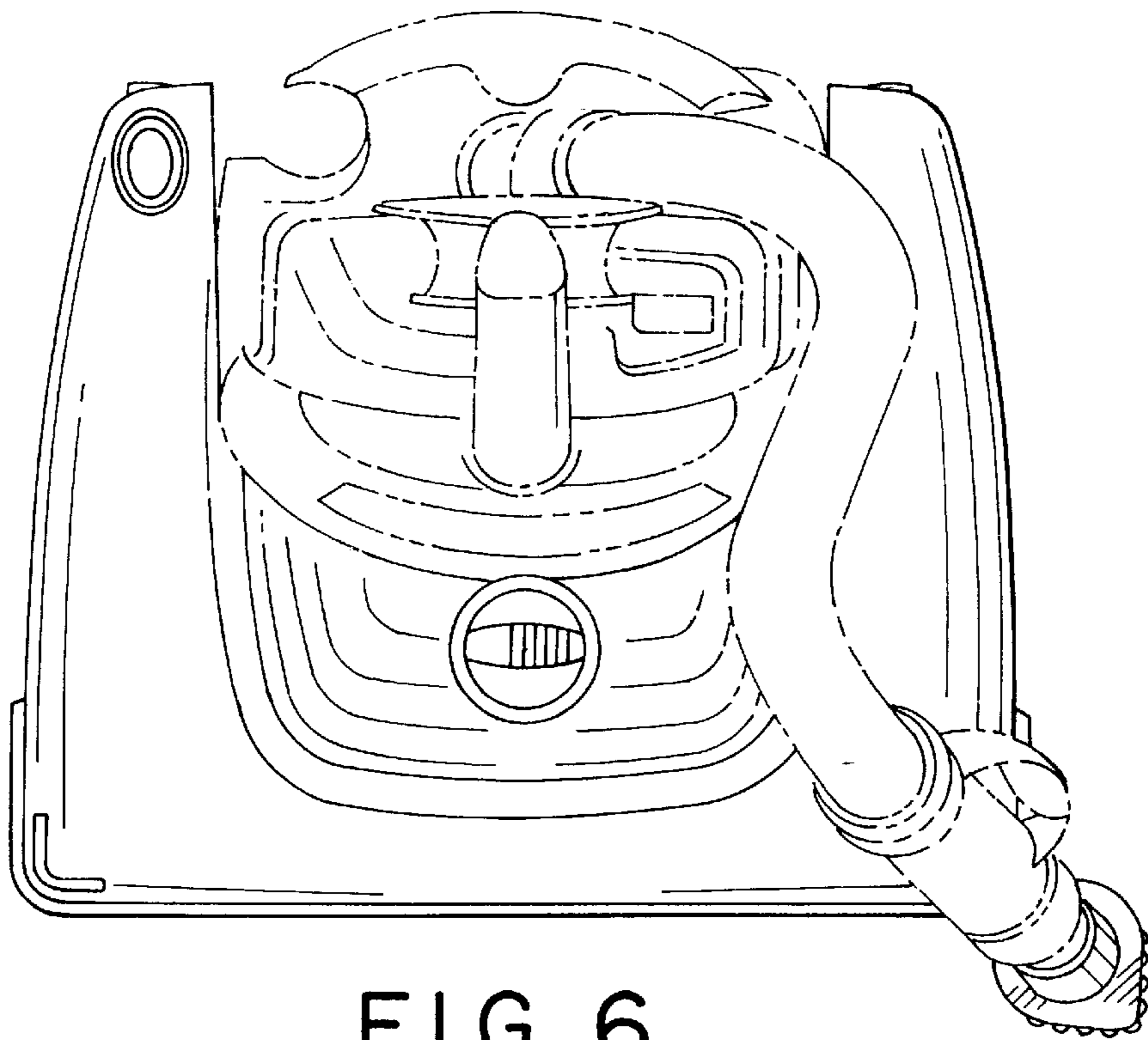


FIG. 6

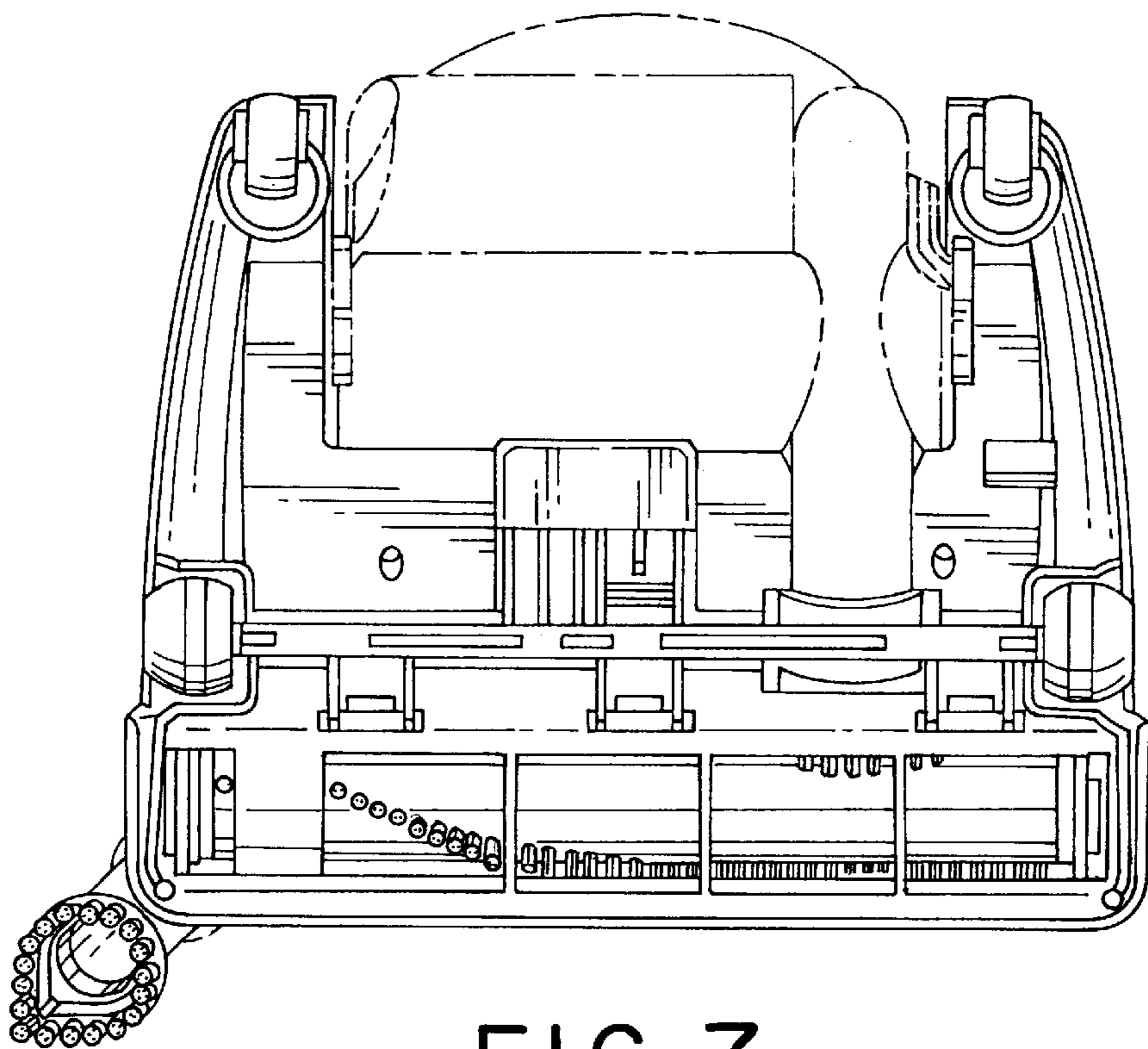


FIG. 7