



US00D418951S

United States Patent [19] Gustafsson

[11] **Patent Number: Des. 418,951**
[45] **Date of Patent: ** Jan. 11, 2000**

[54] **ASYMMETRIC TEAT CUP CLAW**

[75] Inventor: **Marie-Louise Gustafsson**, Stockholm, Sweden

[73] Assignee: **Alfa Laval Agri AB**, Tumba, Sweden

[**] Term: **14 Years**

[21] Appl. No.: **29/096,673**

[22] Filed: **Nov. 18, 1998**

[30] **Foreign Application Priority Data**

May 19, 1998 [SE] Sweden 981096

[51] **LOC (7) Cl.** **30-99**

[52] **U.S. Cl.** **D30/199**

[58] **Field of Search** D30/199; 119/14.54, 119/14.55, 14.14, 14.45, 14.05; 251/89

[56] **References Cited**

U.S. PATENT DOCUMENTS

D. 372,566	8/1996	Chowdhury	D30/199
D. 384,445	9/1997	Chowdhury	D30/199
D. 410,572	6/1999	Gustafsson	D30/199
2,429,983	11/1947	Bender et al.	119/14.54
2,775,225	12/1956	Brown et al.	119/14.54
3,014,455	12/1961	Olander	119/14.54
3,029,787	4/1962	Lamberson	119/14.54
3,094,099	6/1963	Bertao	119/14.54
3,150,637	9/1964	Fosnes	119/14.54
4,253,419	3/1981	Yang	119/14.54
4,314,526	2/1982	Nordenskjold	119/14.55
4,807,566	2/1989	Chowdhury	119/14.55
5,076,211	12/1991	Tonelli	119/14.55
5,080,041	1/1992	Steingraber	119/14.55
5,345,890	9/1994	Petersson et al.	119/14.54

FOREIGN PATENT DOCUMENTS

74799	10/1952	Denmark .
377482	7/1990	European Pat. Off. .
418260	1/1995	European Pat. Off. .
977930	4/1951	France .
1158460	6/1958	France .
104989	7/1942	Sweden .
133288	10/1951	Sweden .
449154	4/1987	Sweden .
WO9423562	10/1994	WIPO .
WO9727736	8/1997	WIPO .
WO9727737	8/1997	WIPO .
WO9804118	2/1998	WIPO .

OTHER PUBLICATIONS

Machine Milking and Lactation including coverage and pp.168 through 170, Dec. 1992.

Primary Examiner—Ruth McInroy
Assistant Examiner—Catherine R. Oliver
Attorney, Agent, or Firm—Hovey, Williams, Timmons & Collins

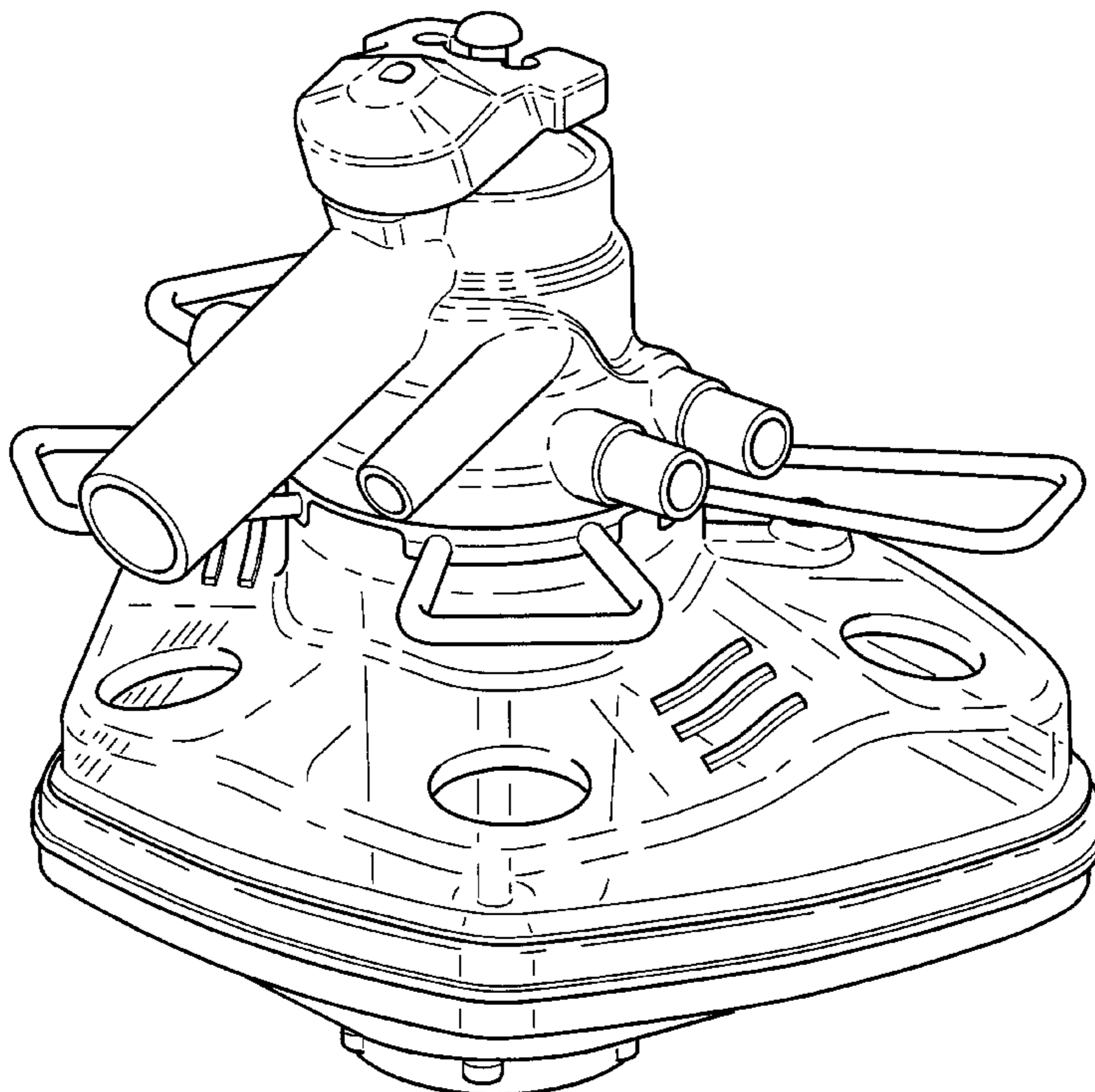
[57] **CLAIM**

The ornamental design for an asymmetric teat cup claw, as shown and described.

DESCRIPTION

FIG. 1 is a perspective view of an asymmetric teat cup claw of the present invention;
FIG. 2 is a top plan view thereof;
FIG. 3 is a bottom plan view thereof;
FIG. 4 is a rear elevational view thereof;
FIG. 5 is a front elevational view thereof;
FIG. 6 is a left side elevational view thereof; and,
FIG. 7 is a right side elevational view thereof.

1 Claim, 7 Drawing Sheets



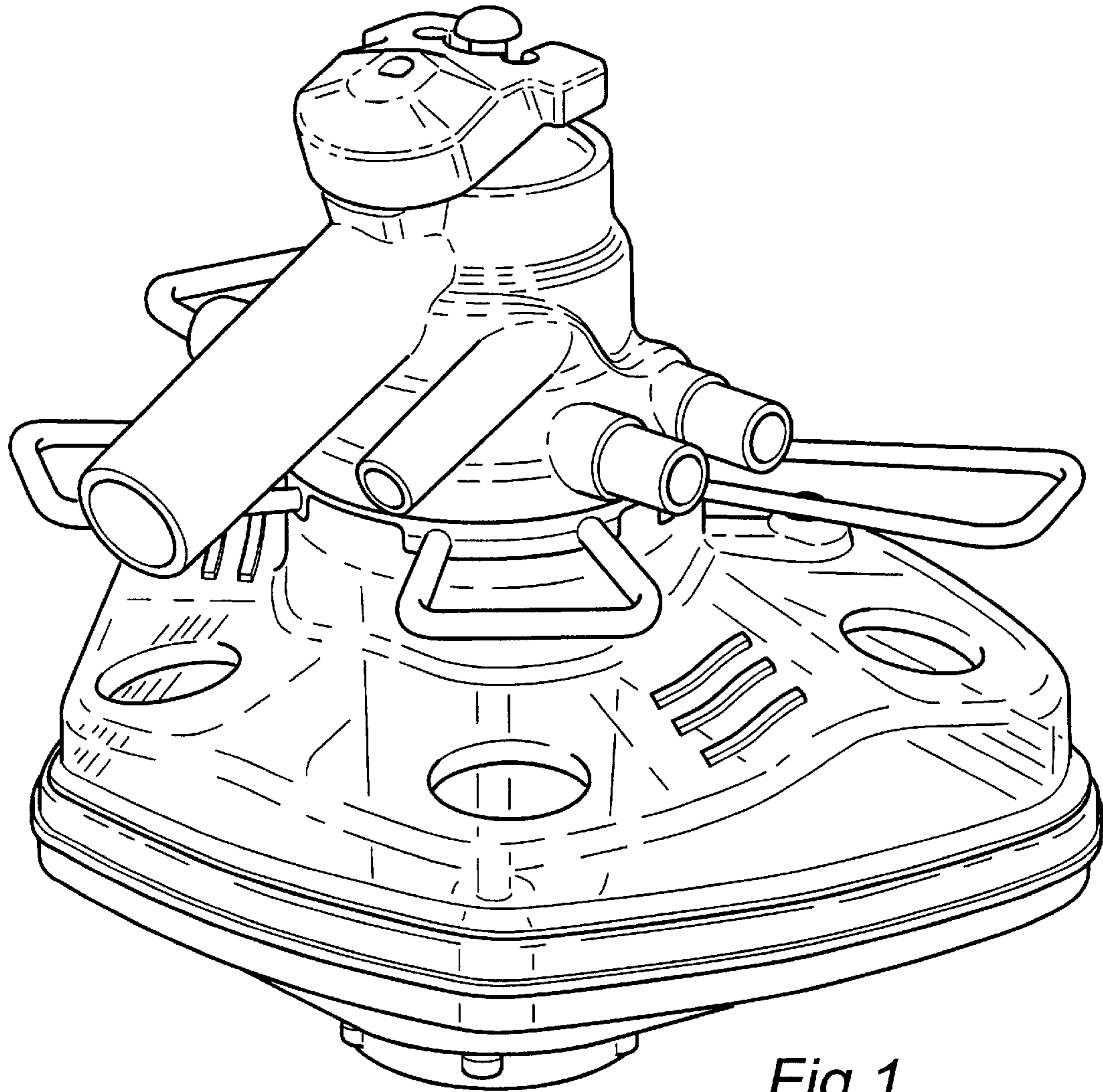


Fig. 1.

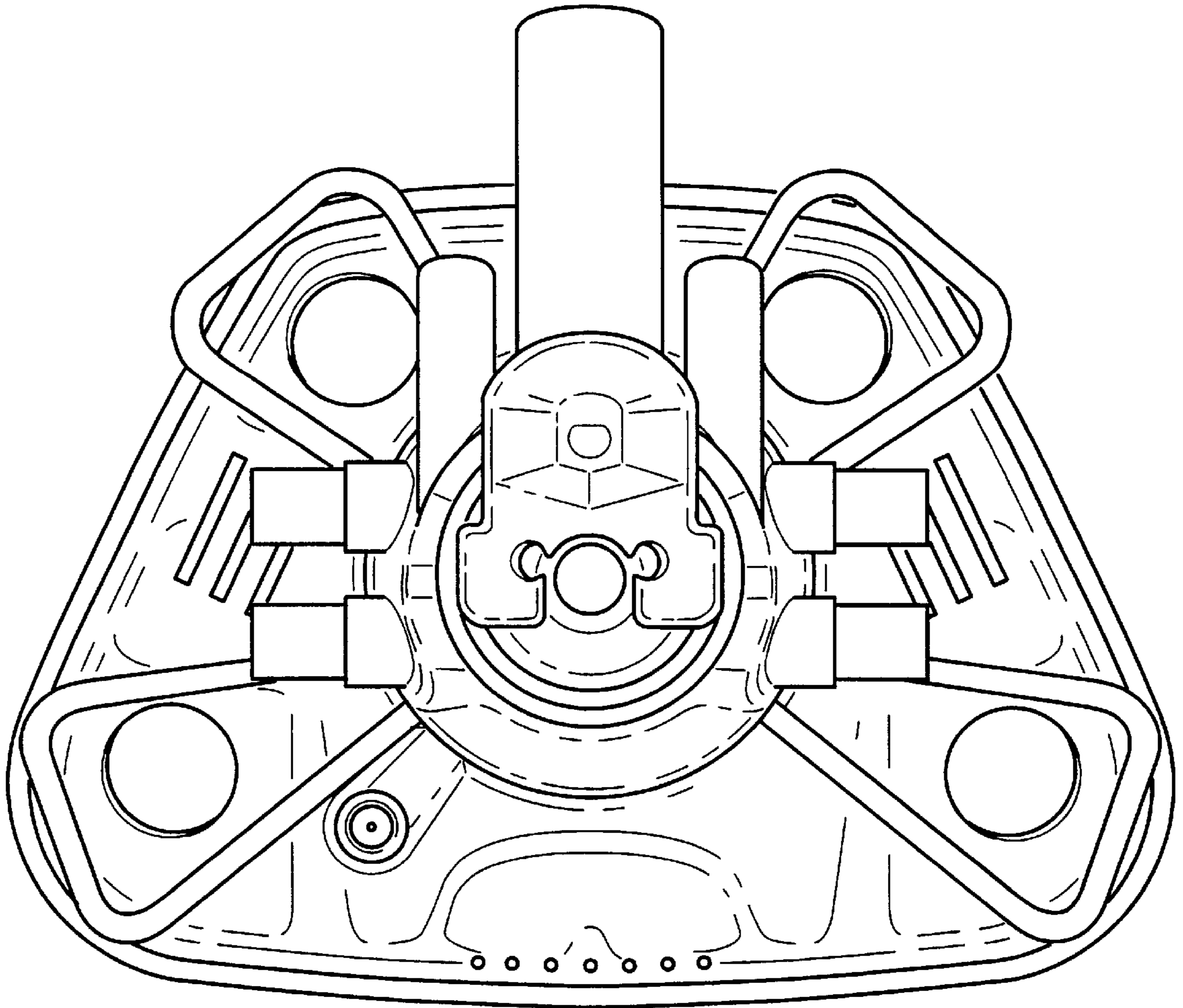


Fig. 2.

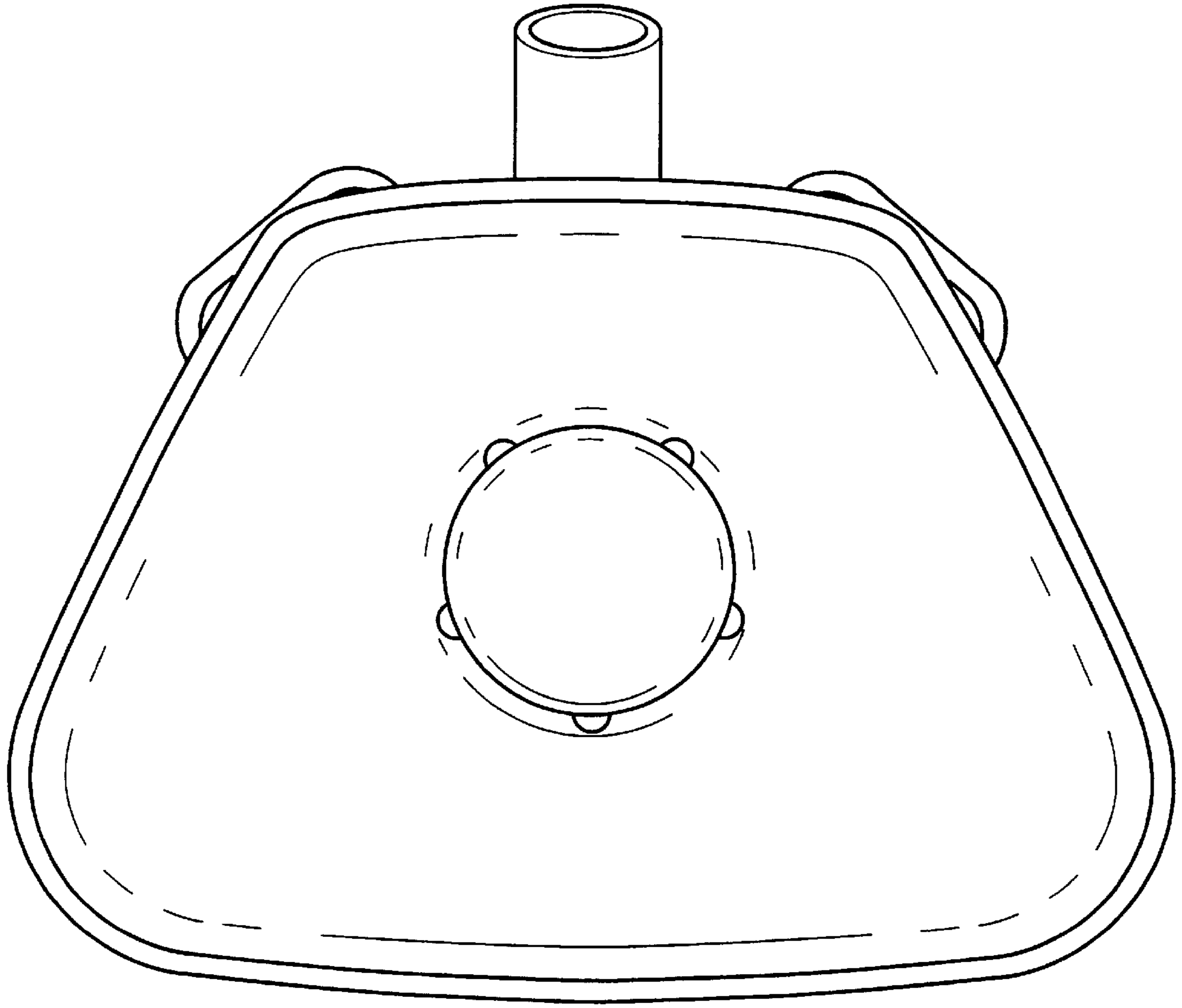


Fig. 3.

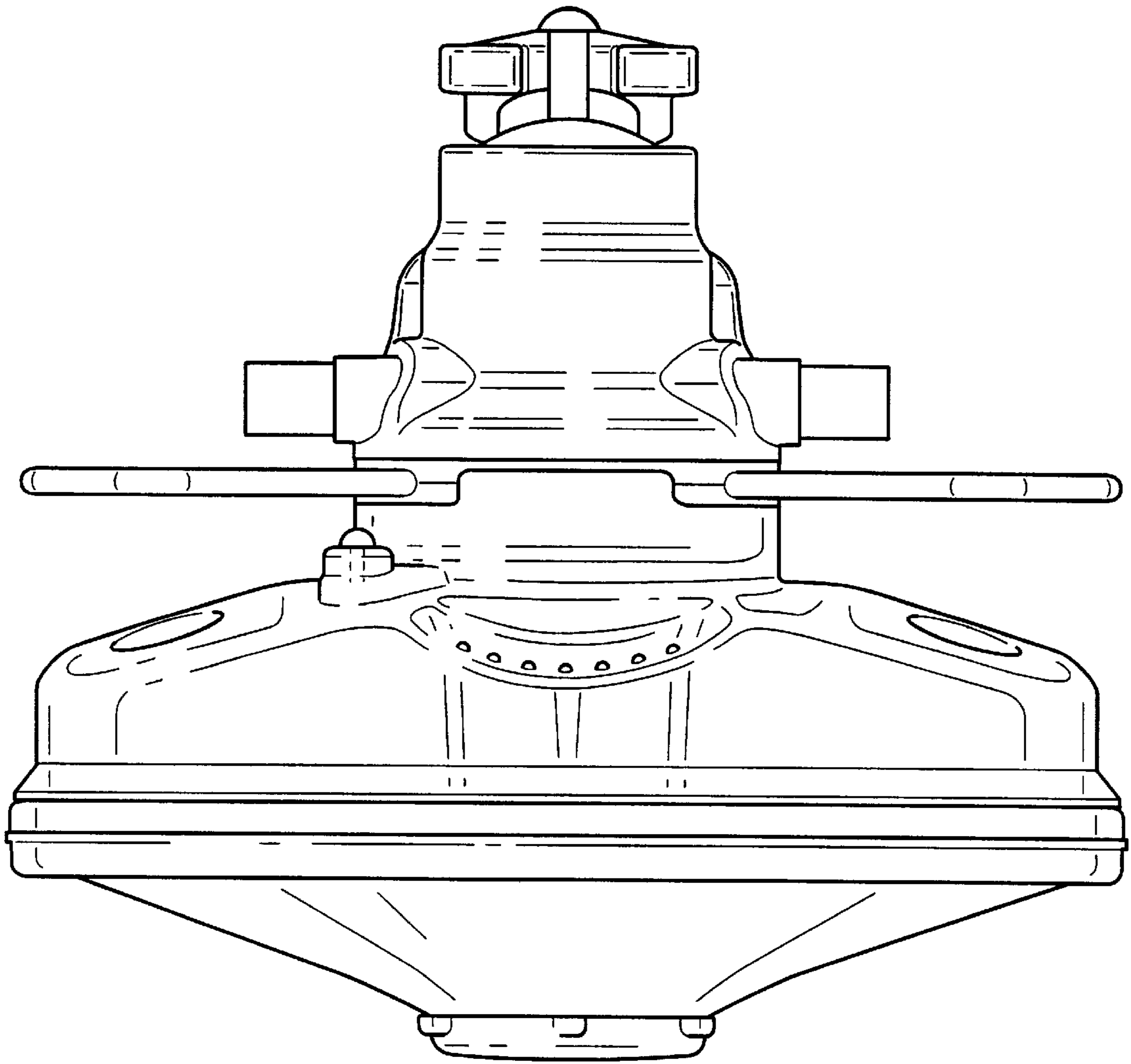


Fig. 4.

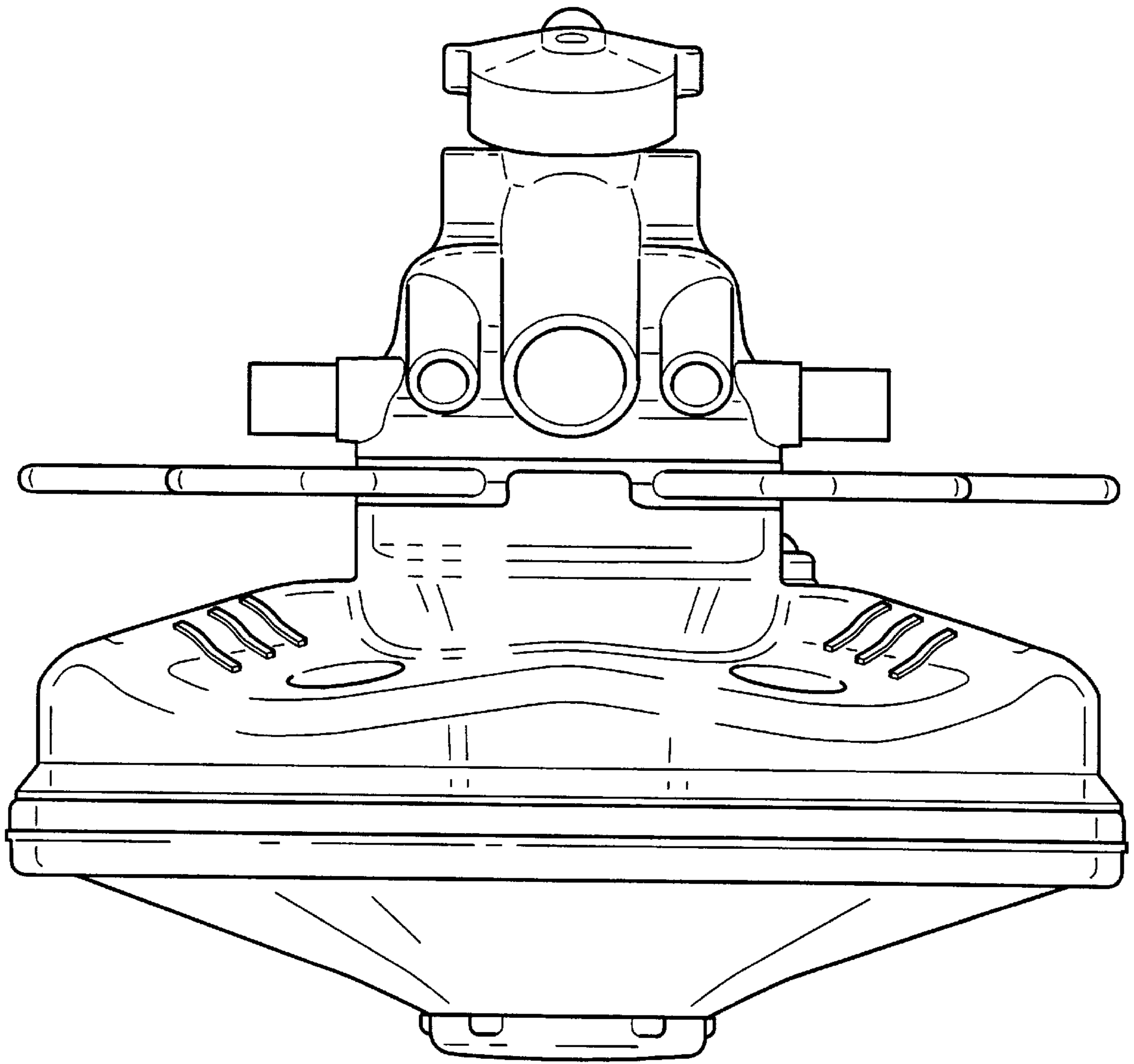


Fig. 5.

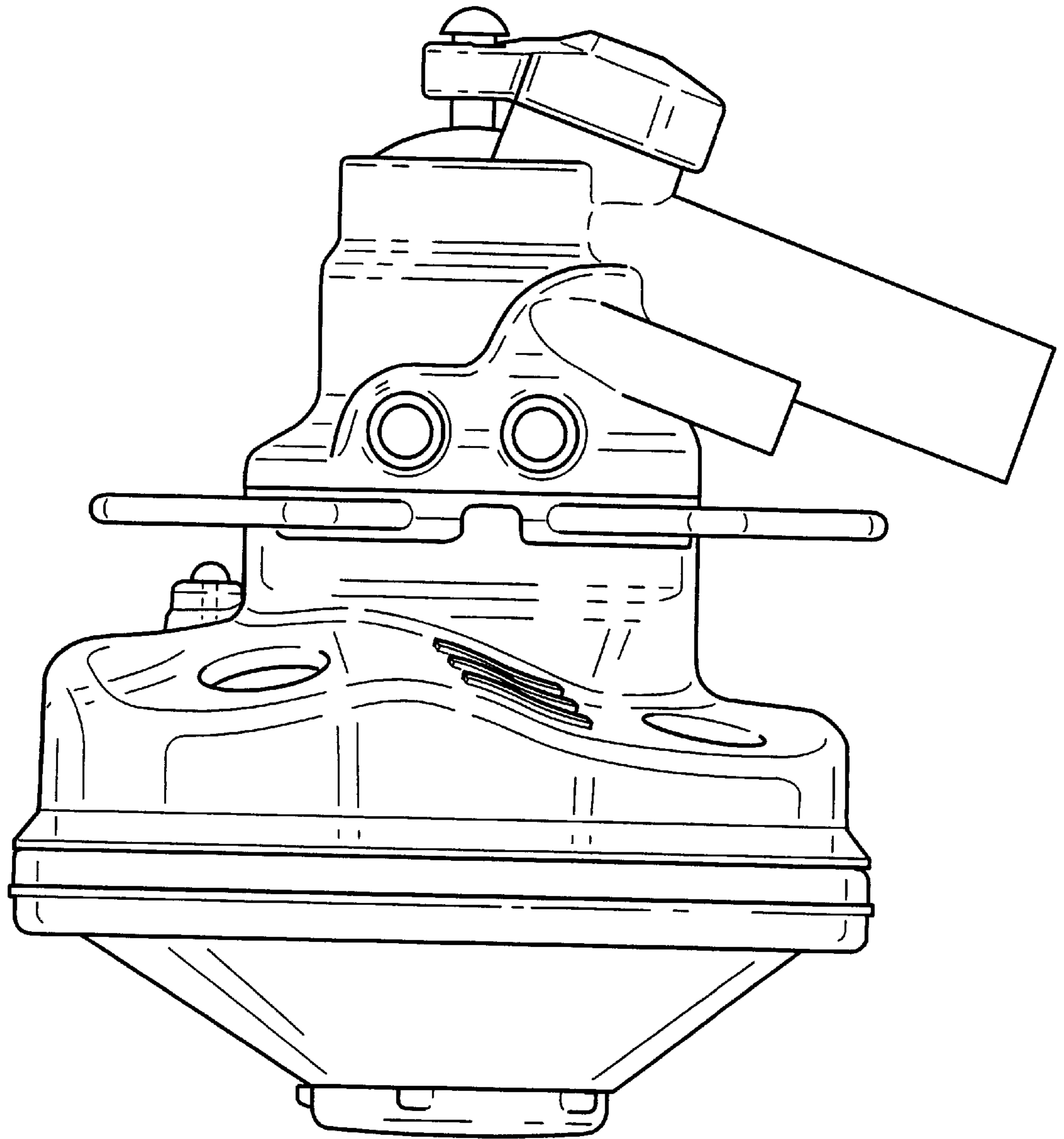


Fig. 6.

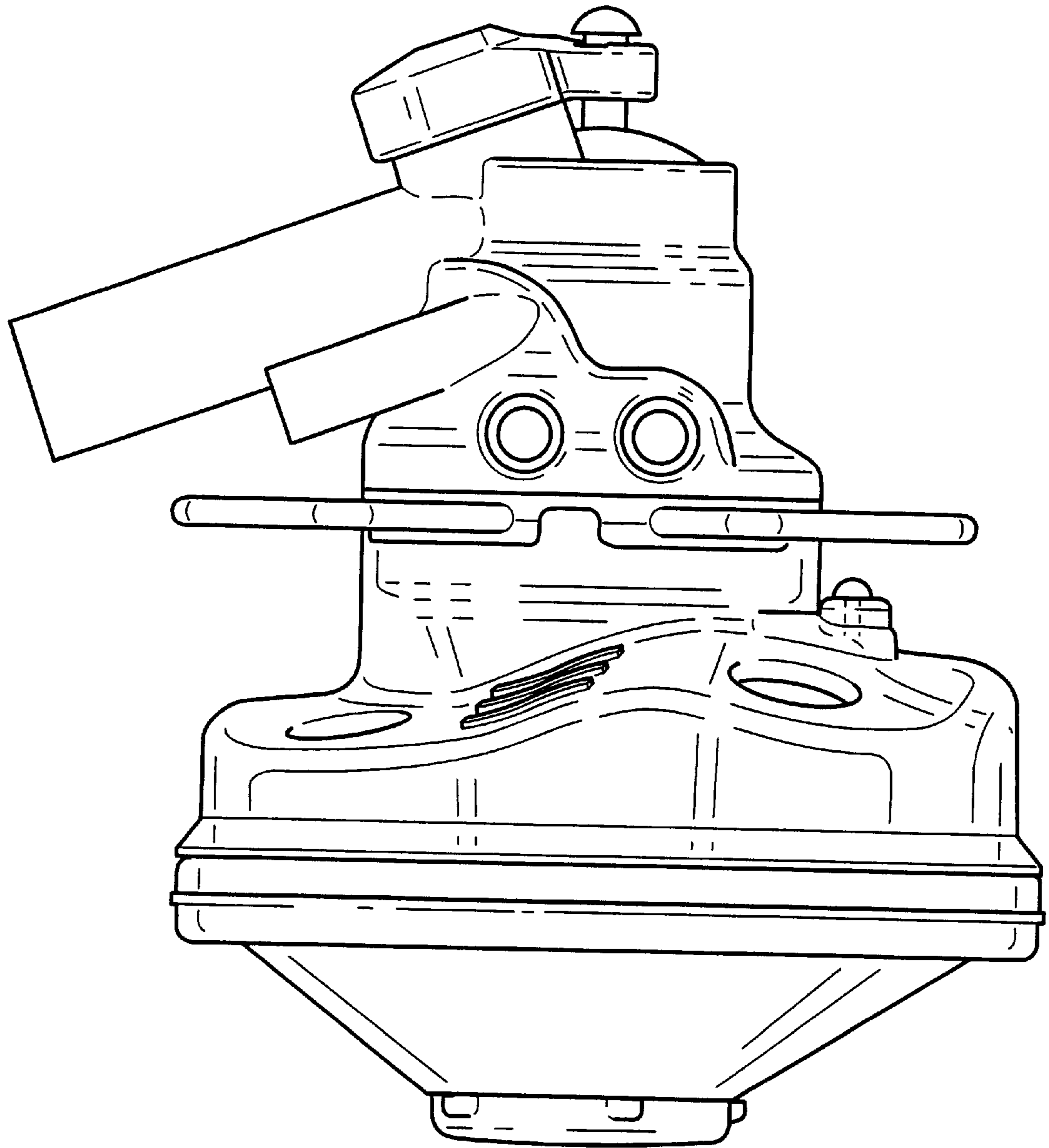


Fig. 7.