



US00D418950S

United States Patent [19] Dixon

[11] Patent Number: **Des. 418,950**
[45] Date of Patent: **** Jan. 11, 2000**

[54] **HORSESHOE**
[76] Inventor: **Mark B. Dixon**, 104 Agner Ave.,
Missoula, Mont. 59801
[**] Term: **14 Years**
[21] Appl. No.: **29/087,908**
[22] Filed: **May 12, 1998**
[51] **LOC (7) Cl.** **30-01**
[52] **U.S. Cl.** **D30/147**
[58] **Field of Search** D30/146-147;
168/1, 2, 18, 22, 27; 54/82; 119/850; 2/20,
158; 36/111, 132; 602/28

1,274,483 8/1918 Wiesenberg 168/118
1,375,096 4/1921 Hirschenfeld 168/22
1,386,613 8/1921 Frey 168/18
3,163,230 12/1964 Christensen .
3,506,072 4/1970 McFarland et al. .
4,444,269 4/1984 Laurent 168/1
4,744,422 5/1988 Dallmer 168/18

FOREIGN PATENT DOCUMENTS

340780 7/1904 France .
390108 9/1908 France .
2783 of 1876 United Kingdom .
8819 of 1900 United Kingdom .

Primary Examiner—Cathy Anne MacCormac
Attorney, Agent, or Firm—Shook, Hardy & Bacon L.L.P.

[56] References Cited U.S. PATENT DOCUMENTS

D. 22,955 12/1893 Ray D30/146
91,541 6/1869 Johnson 167/27
D. 154,085 6/1949 Warren D30/146
D. 285,499 9/1986 Nakanishi D30/149
289,177 11/1883 Thomas et al. 168/18
D. 359,597 6/1995 Dixon .
434,401 8/1890 Pruden 168/18
626,313 6/1899 Stuart 168/27
798,598 9/1905 Conn 168/18
830,403 9/1906 Barclay 168/22
1,054,463 2/1913 Kiso 54/82
1,057,957 4/1913 Gummersbach 168/18
1,120,059 12/1914 Johnson 168/22

[57] CLAIM

The ornamental design for a horseshoe, as shown and described.

DESCRIPTION

FIG. 1 is a perspective view of a horseshoe according to the present invention;
FIG. 2 is a right side elevational view thereof;
FIG. 3 is a front elevational view thereof;
FIG. 4 is a rear elevational view thereof;
FIG. 5 is a bottom plan view thereof; and,
FIG. 6 is a top plan view thereof.

1 Claim, 2 Drawing Sheets

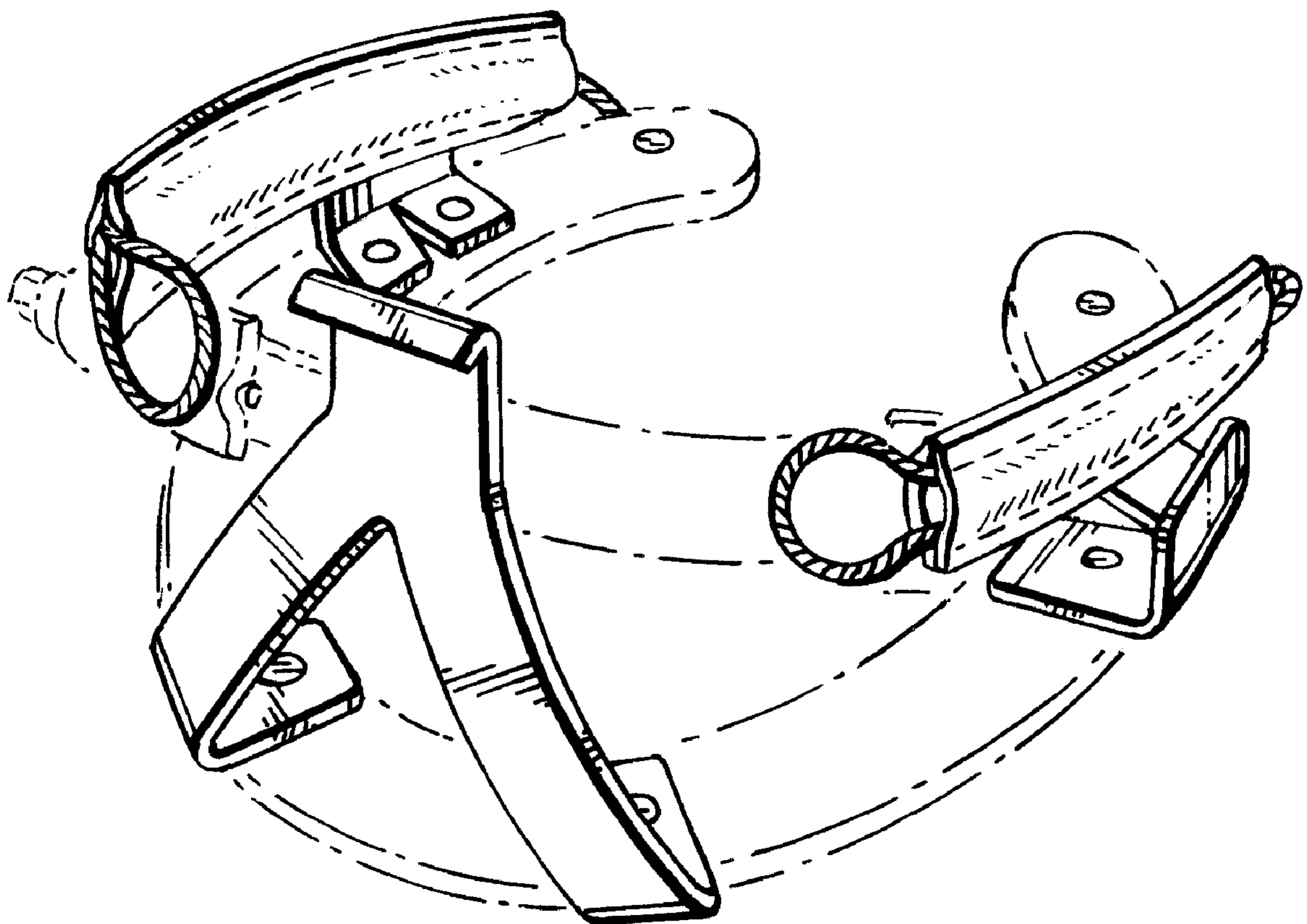


Fig. 1.

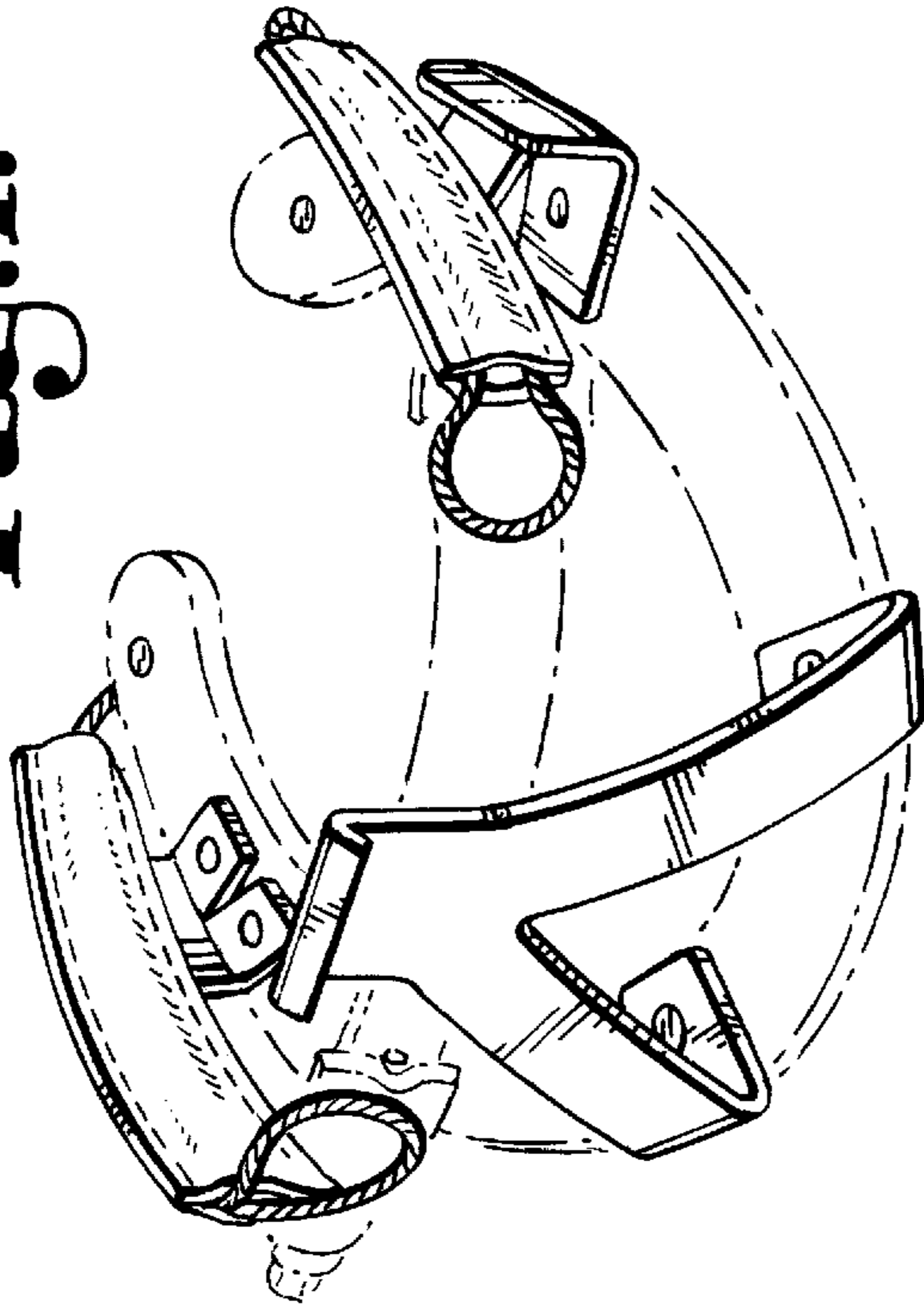


Fig. 2.

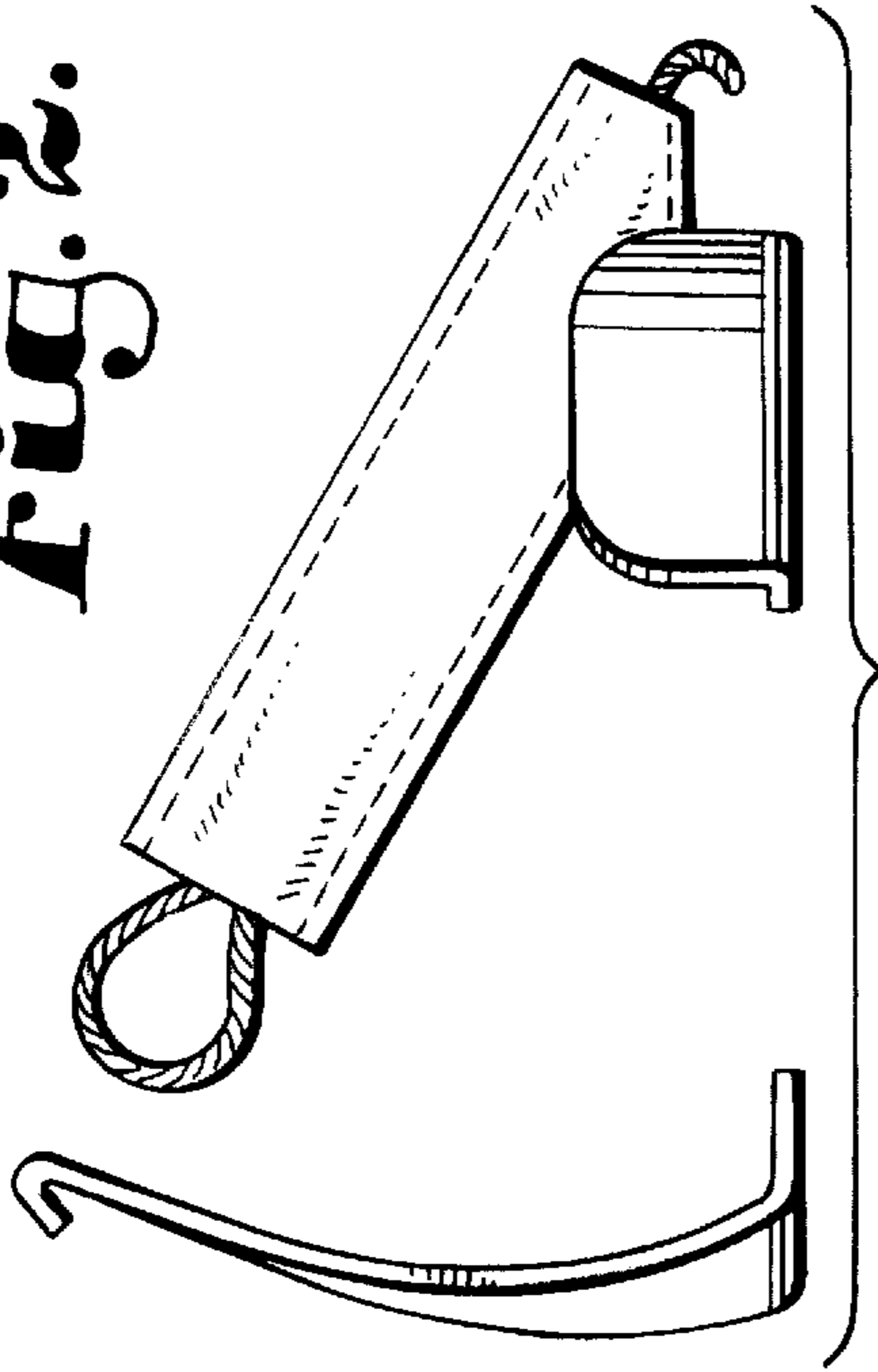


Fig. 3.

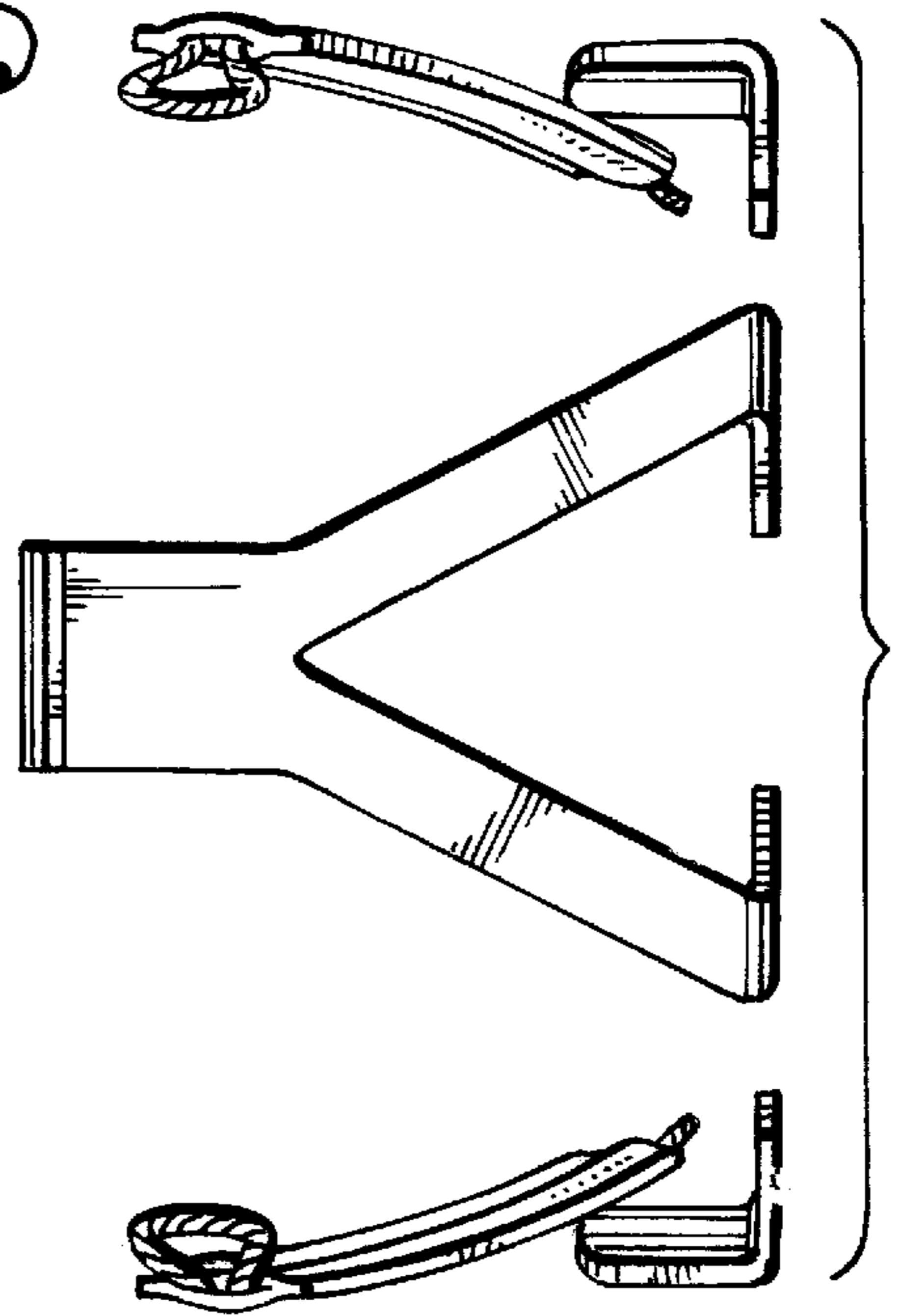


Fig. 4.

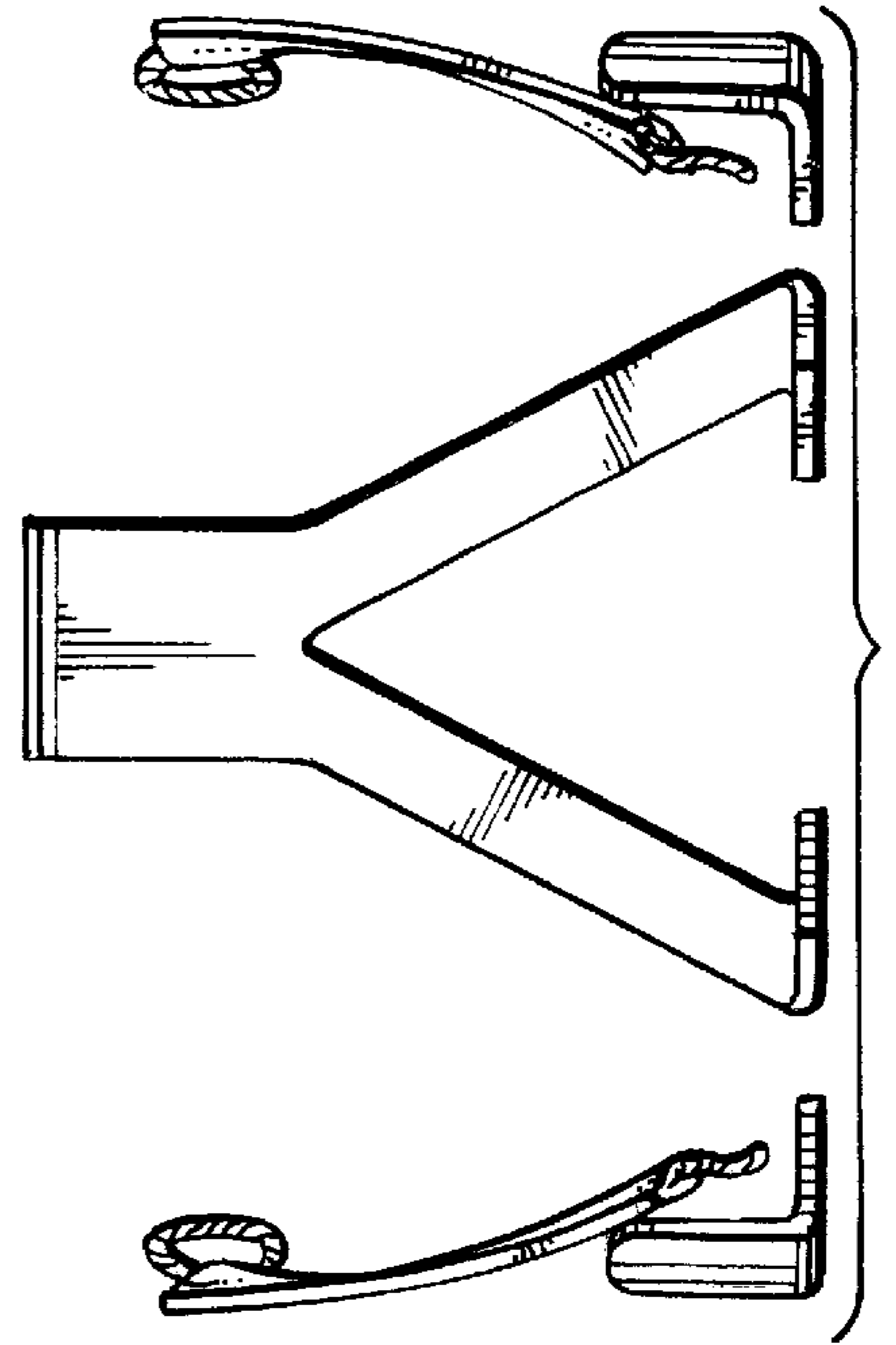


Fig. 5.

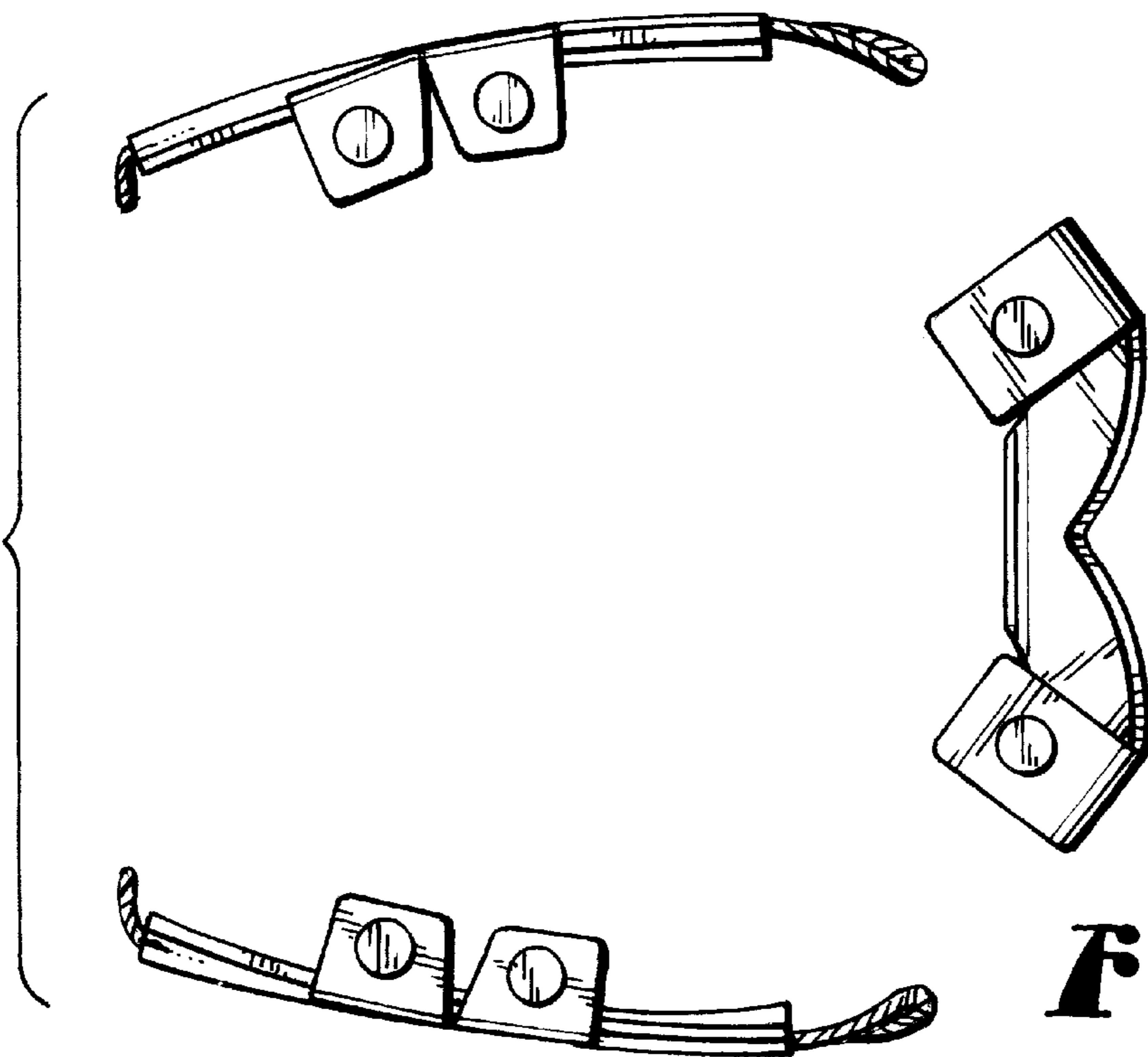
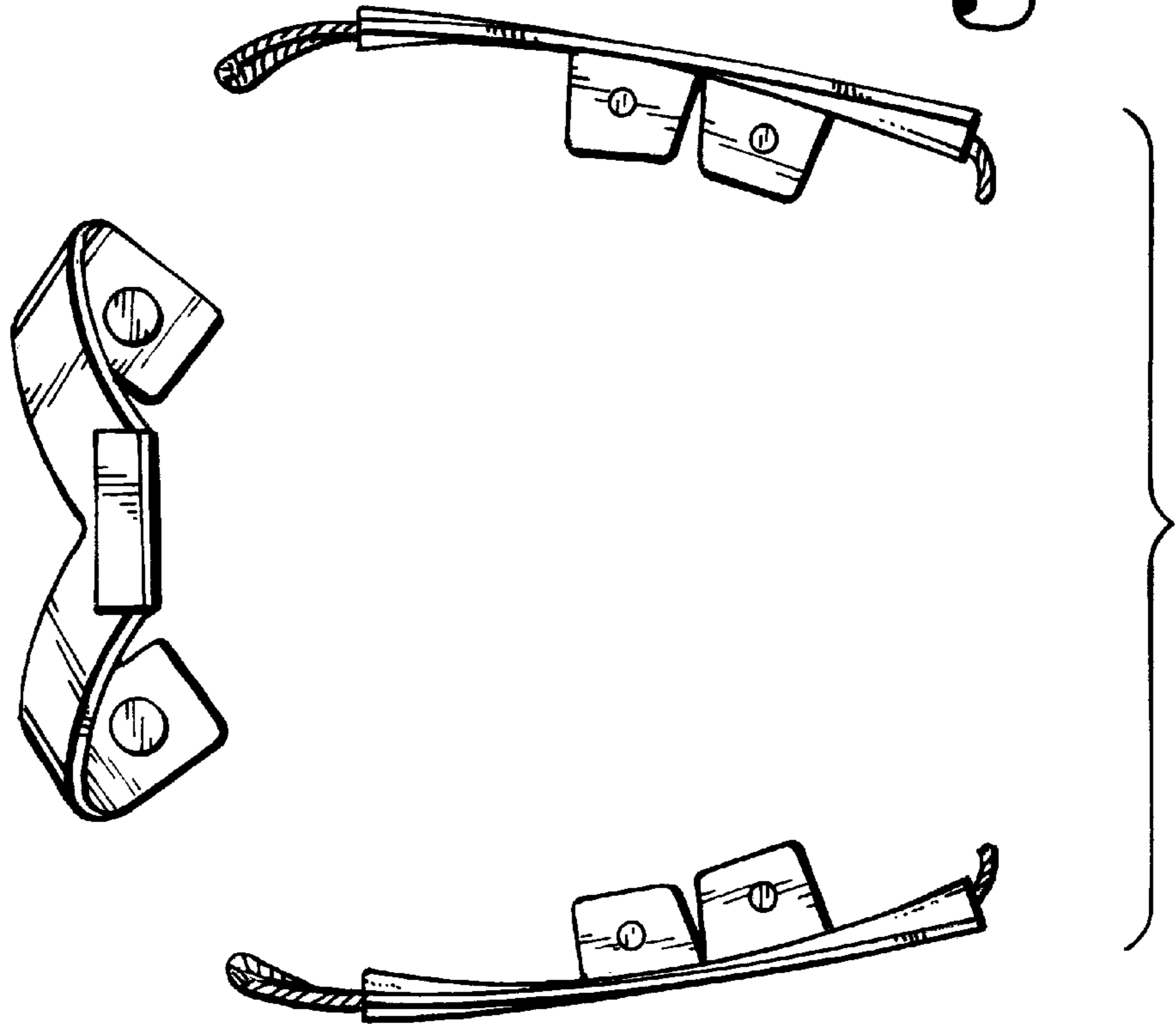


Fig. 6.