



US00D418947S

United States Patent [19] Greiner

[11] **Patent Number: Des. 418,947**
[45] **Date of Patent: ** Jan. 11, 2000**

[54] **MAKE-UP ORGANIZER**

[76] Inventor: **Lori Greiner**, 1301 N. Dearborn Pkwy.,
Suite 402, Chicago, Ill. 60610

[**] Term: **14 Years**

[21] Appl. No.: **29/091,341**

[22] Filed: **Jul. 28, 1998**

[51] **LOC (7) Cl. 28-03**

[52] **U.S. Cl. D28/73; D3/901; D6/525;
D19/77; D7/641**

[58] **Field of Search D28/9, 73-75,
D28/61; D3/205, 206, 304, 307-314, 901;
D6/449, 462, 466-468, 474-476, 512, 524-528,
534, 551; D7/501, 553.1, 553.6, 637, 641;
D19/75, 77, 85, 95; 132/313, 314; 206/214,
581, 349, 371-373, 558, 561; 211/60.1,
65, 69.1, 70, 70.1, 70.6, 70.7, 78; 220/500,
505**

[56] **References Cited**

U.S. PATENT DOCUMENTS

D. 160,688	10/1950	Brock .	
D. 170,669	10/1953	Wagner	D28/61
D. 172,113	5/1954	Smith .	
D. 178,168	7/1956	Buskirk .	
226,645	4/1880	Albaugh .	
D. 266,435	10/1982	Laughlin	D18/75
D. 279,950	8/1985	Wan	D7/640
D. 281,929	12/1985	Strobel et al. .	
D. 284,235	6/1986	Zinter-Chahin	D3/206
D. 329,766	9/1992	Ancona et al. .	
D. 356,829	3/1995	Russomano et al.	D19/77
D. 377,807	2/1997	Green et al.	D19/77
D. 377,951	2/1997	McDiarmid .	
D. 407,753	4/1999	Kwok .	
3,489,289	1/1970	Scott-Fenton .	
4,305,511	12/1981	Denholtz .	
4,453,326	6/1984	Hoffman et al. .	
4,534,474	8/1985	Ng .	
4,757,956	7/1988	McGuire .	
4,881,651	11/1989	Mimoun et al. .	

4,953,696	9/1990	Huang et al. .	
5,009,336	4/1991	Liaw .	
5,361,915	11/1994	Cohen et al.	211/70.7
5,379,885	1/1995	Chen .	
5,655,671	8/1997	Barry et al. .	
5,755,338	5/1998	vom Braucke et al. .	
5,775,518	7/1998	Connor .	

FOREIGN PATENT DOCUMENTS

272845	4/1951	Switzerland	211/129.1
--------	--------	-------------------	-----------

OTHER PUBLICATIONS

Hong Kong Enterprise Nov. 1982, p. 158—Revolving Car-
ousel.
Hong Kong Enterprise Oct. 1990, p. 544, second row—item
No. 90313.

Primary Examiner—Ted Shooman
Assistant Examiner—C Tuttle
Attorney, Agent, or Firm—Brinks Hofer Gilson & Lione

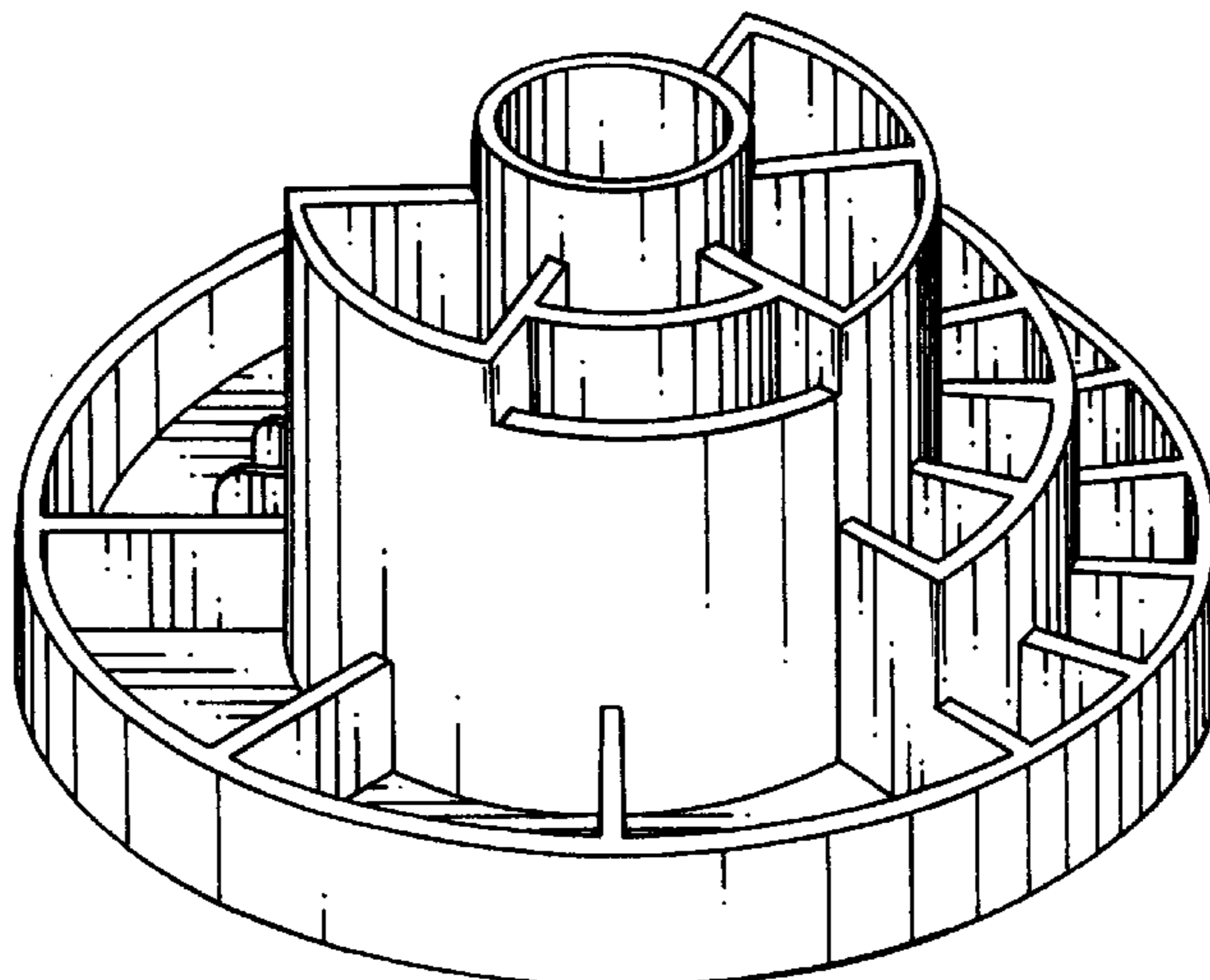
[57] **CLAIM**

The ornamental design for a make-up organizer, as shown
and described.

DESCRIPTION

FIG. 1 is a perspective view of a make-up organizer showing
my new design;
FIG. 2 is an exploded bottom perspective view thereof;
FIG. 3 is a top plan view shown on a reduced scale
FIG. 4 is a bottom plan view thereof;
FIG. 5 is a rear elevation view thereof;
FIG. 6 is a left side elevation view thereof;
FIG. 7 is a right side elevation view thereof;
FIG. 8 is a front elevation view thereof;
FIG. 9 is an enlarged scale cross sectional view taken along
line 9—9 of FIG. 3; and,
FIG. 10 is an exploded cross sectional view taken along line
10—10 of FIG. 3.
The broken lines showing the makeup items are for illus-
trative purposes only and forms no part of the claimed
design.

1 Claim, 3 Drawing Sheets



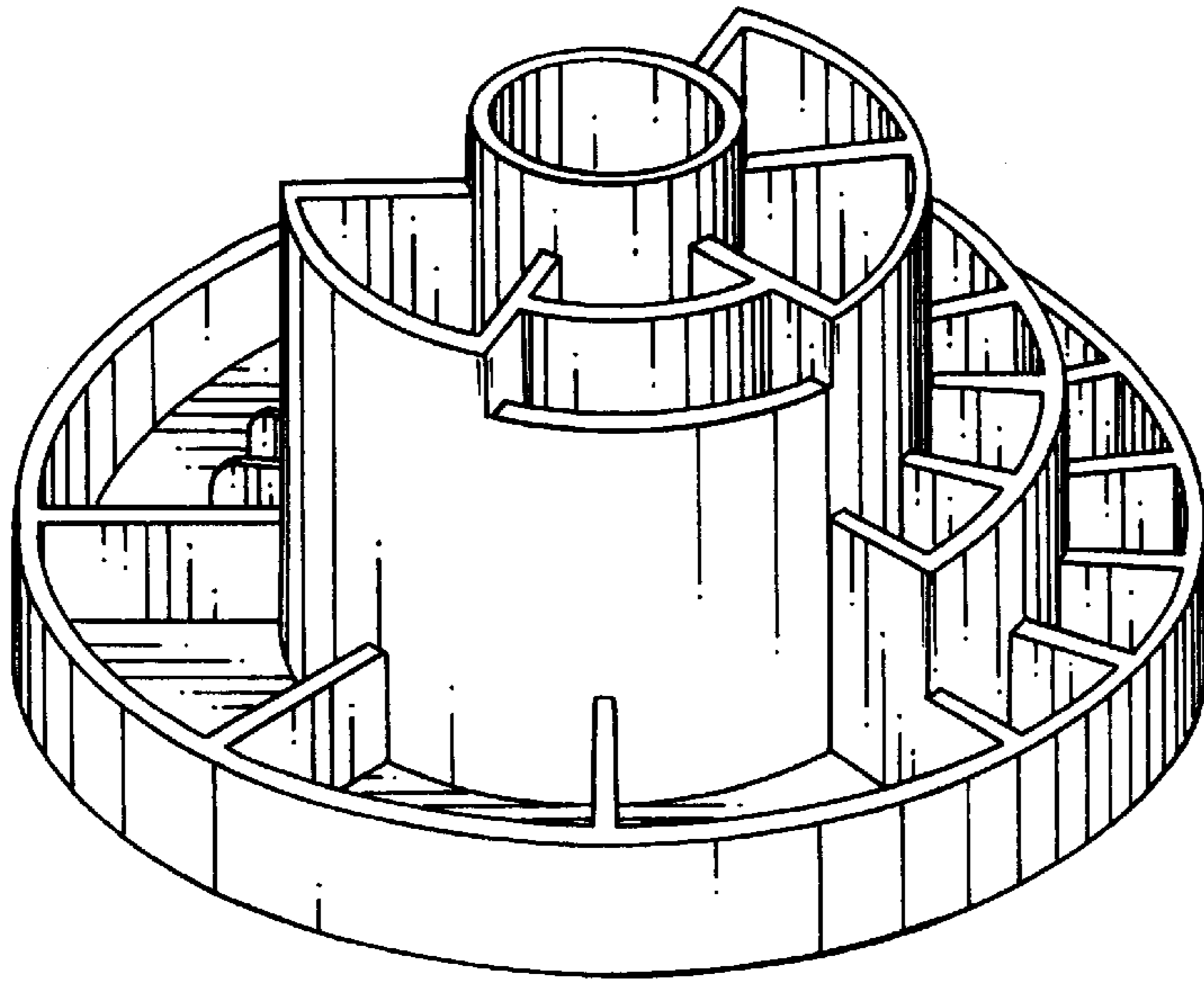
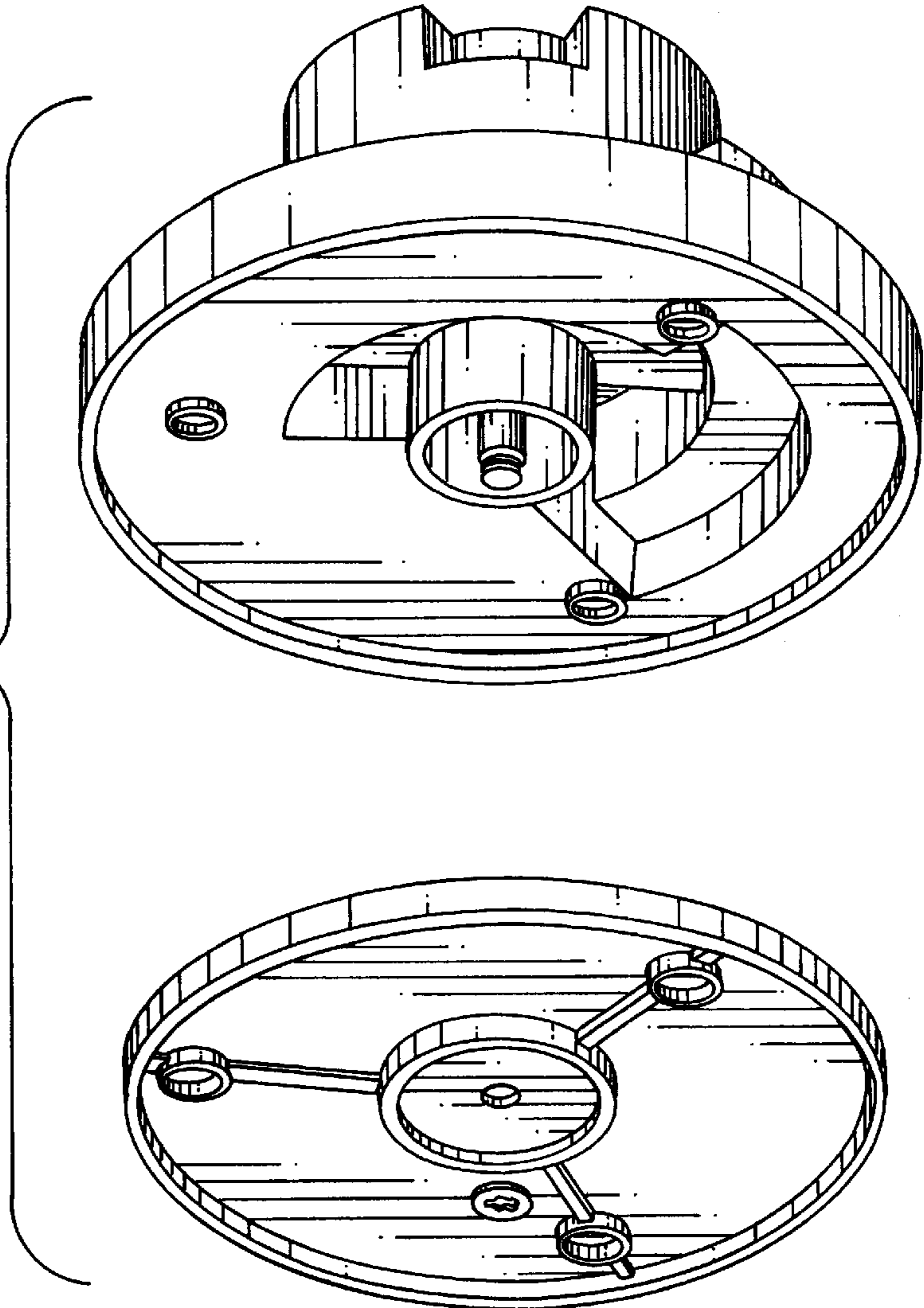


Fig. 1

Fig. 2



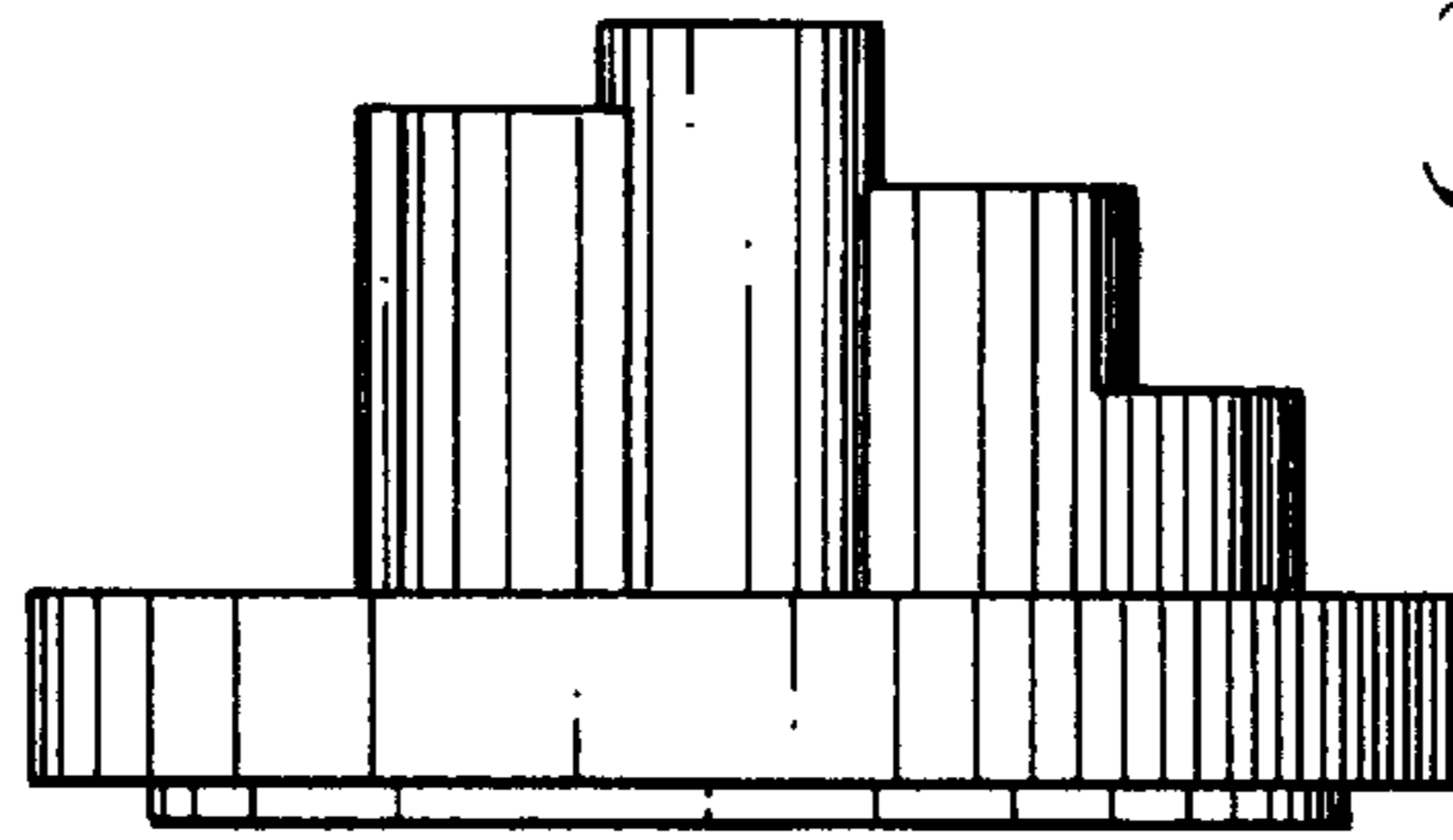


Fig. 5

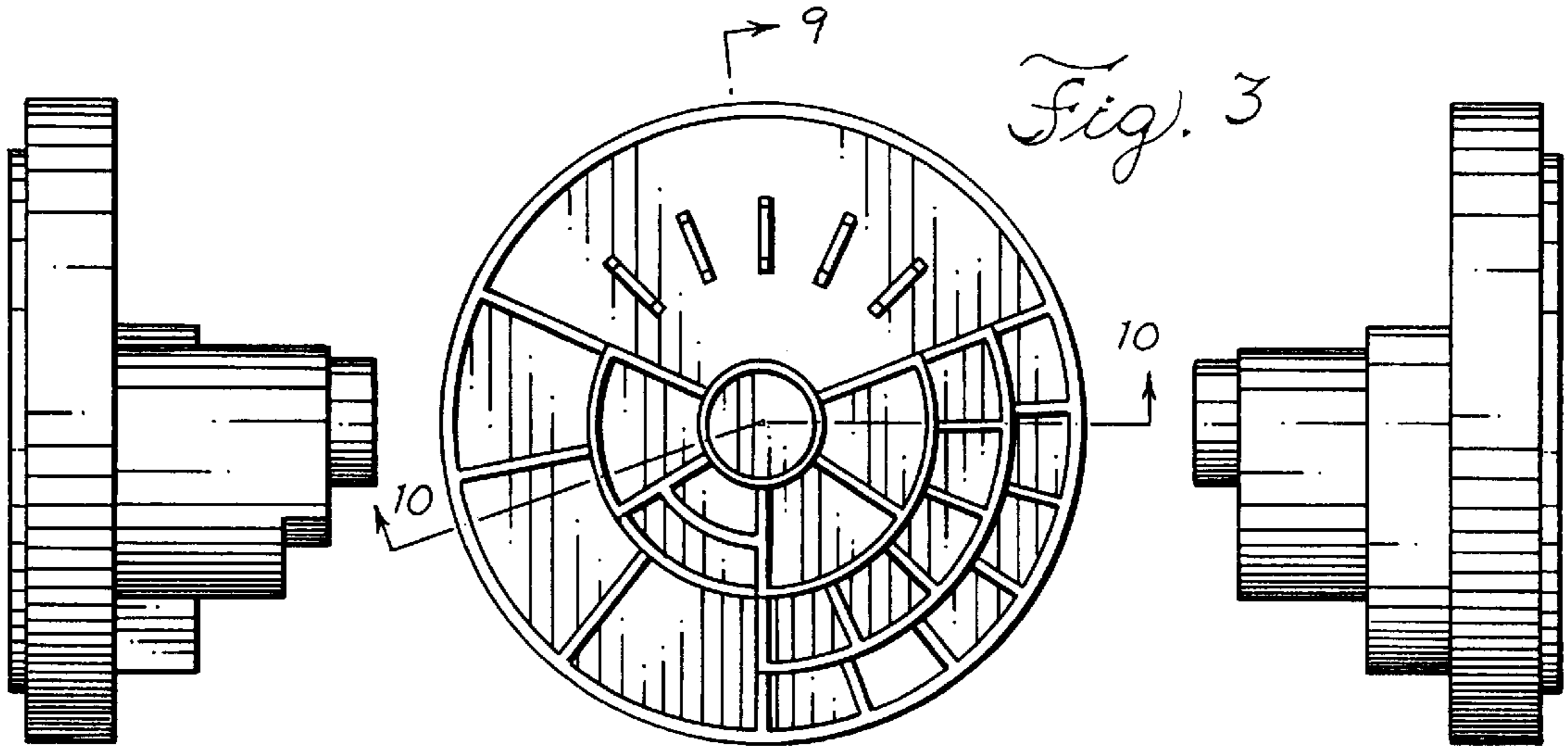


Fig. 3

Fig. 6

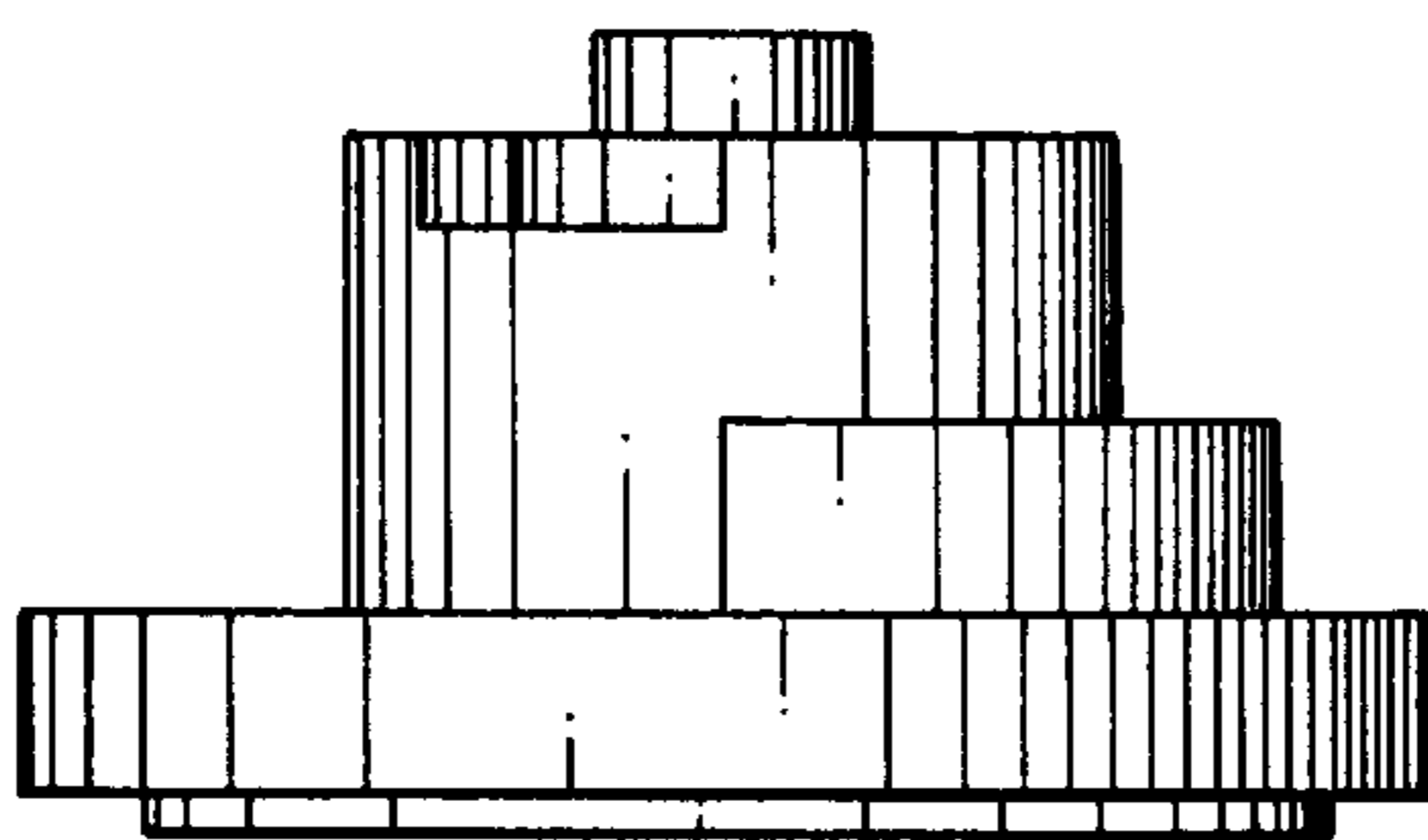


Fig. 7

Fig. 4

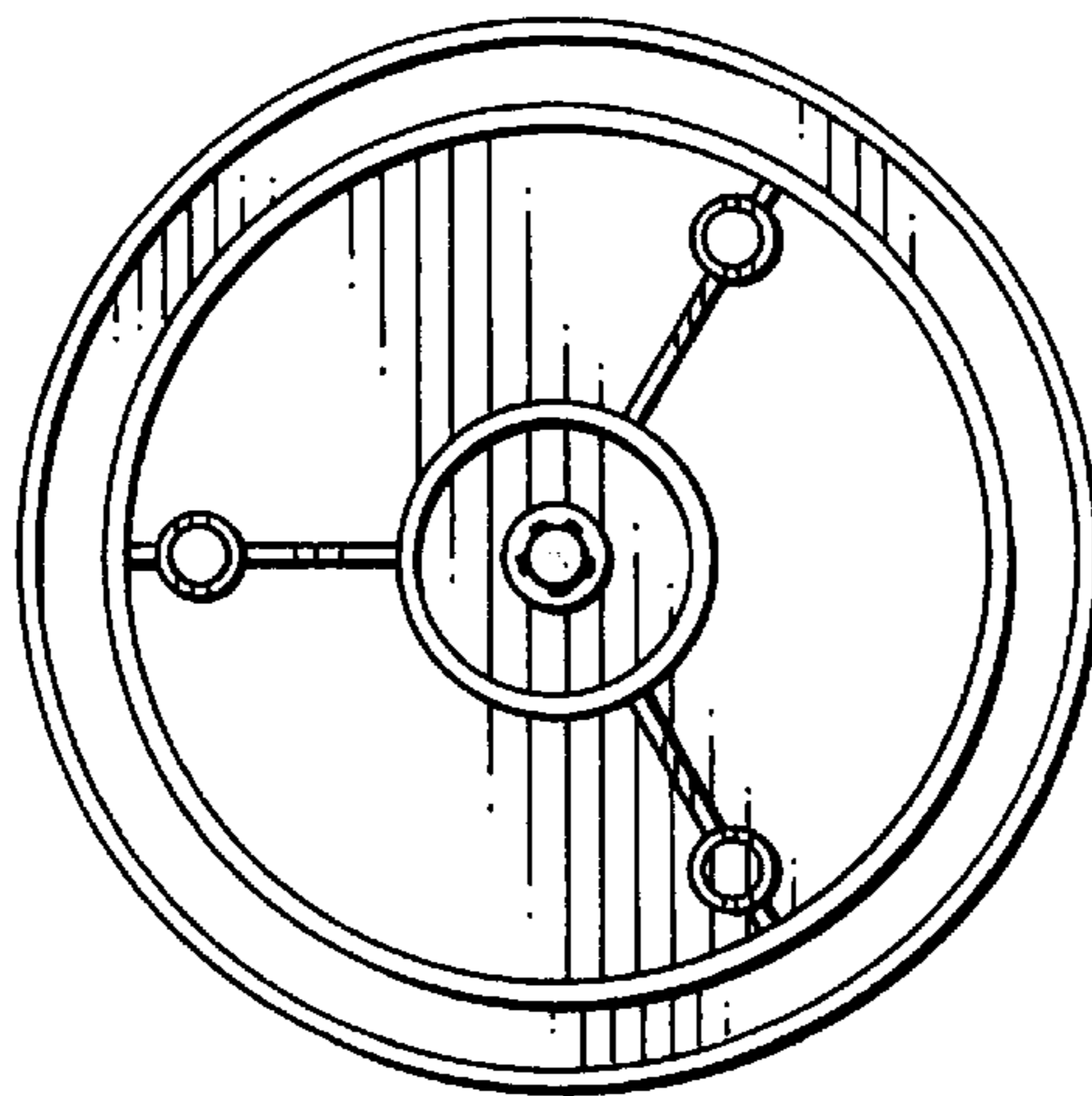


Fig. 8

