



US00D418940S

# United States Patent [19]

[11] **Patent Number: Des. 418,940**

**Luton et al.**

[45] **Date of Patent: \*\* Jan. 11, 2000**

[54] **PACK FOR SMOKING ARTICLES**

5,586,648	12/1996	Focke et al. ....	206/264
5,823,331	10/1998	Manservigi et al. ....	206/268
5,845,770	12/1998	James et al. ....	206/268

[75] Inventors: **Colin Dennis Luton**, Bristol; **Rodney George Taylor**, Woodhouse Eaves, both of United Kingdom

*Primary Examiner*—Susan J. Lucas  
*Assistant Examiner*—Jennifer Rivard  
*Attorney, Agent, or Firm*—Larson & Taylor

[73] Assignee: **Imperial Tobacco Limited**, Bristol, United Kingdom

[57] **CLAIM**

[\*\*] Term: **14 Years**

The ornamental design for a pack for smoking articles, as shown and described.

[21] Appl. No.: **29/095,477**

**DESCRIPTION**

[22] Filed: **Oct. 23, 1998**

[30] **Foreign Application Priority Data**

Apr. 28, 1998 [GB] United Kingdom ..... 2074246

[51] **LOC (7) Cl.** ..... **27-06**

[52] **U.S. Cl.** ..... **D27/189**

[58] **Field of Search** ..... D27/172, 173, D27/175, 178, 183, 185, 186, 187, 188, 189, 191, 192; 206/242, 259, 264, 265, 266, 668, 269, 271

FIG. 1 is a perspective view of the pack in closed position embodying the new design;  
FIG. 2 is a rear perspective view of the pack in closed position;  
FIG. 3 is a front perspective view of the pack in an open position;  
FIG. 4 is a rear perspective view of the pack in an open position;  
FIG. 5 is a top face of the pack;  
FIG. 6 is a left side face of the pack;  
FIG. 7 is a front face of the pack;  
FIG. 8 is a right side face of the pack;  
FIG. 9 is a back face of the pack; and,  
FIG. 10 is a bottom face of the pack.

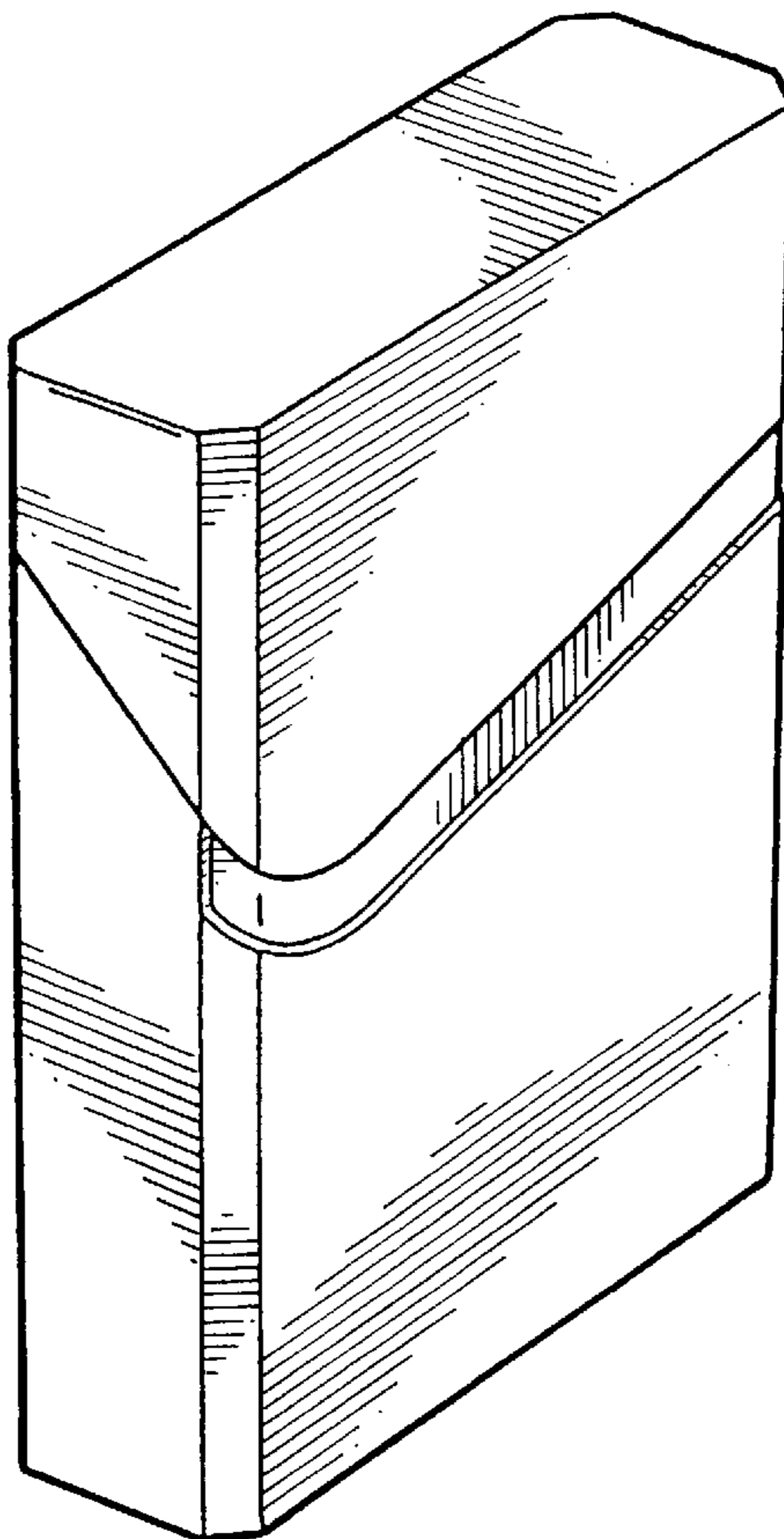
[56] **References Cited**

**U.S. PATENT DOCUMENTS**

D. 322,687	12/1991	Tschudin .....	D27/189
D. 356,183	3/1995	Conti .....	D27/186
D. 393,924	4/1998	Wright .....	D27/189
5,464,093	11/1995	Hogan .....	206/265
5,487,468	1/1996	Sheahan .....	204/242

In FIGS. 3 and 4, the portions of the pack that are hidden by the cover form no part of the claimed design.

**1 Claim, 5 Drawing Sheets**



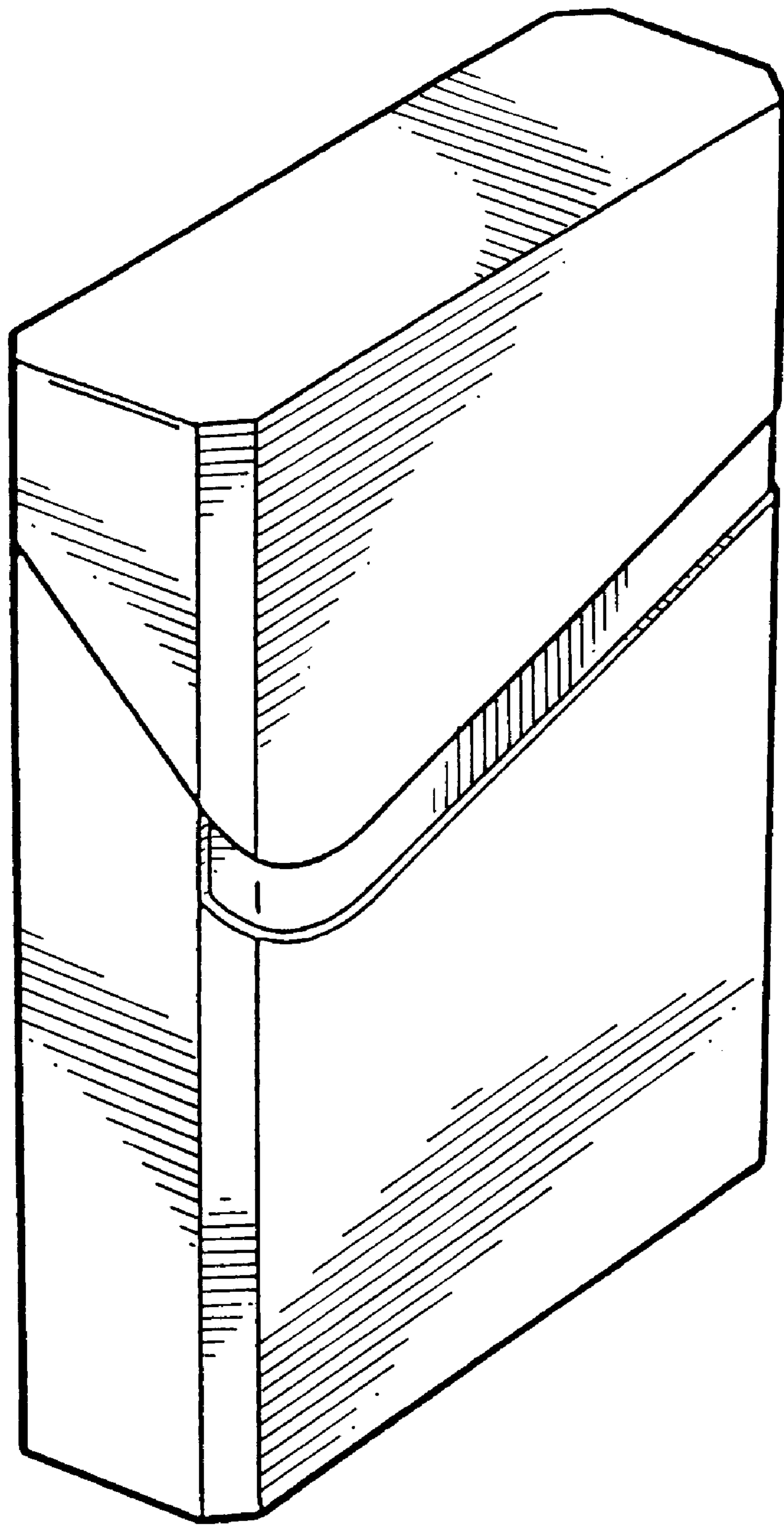


FIGURE 1

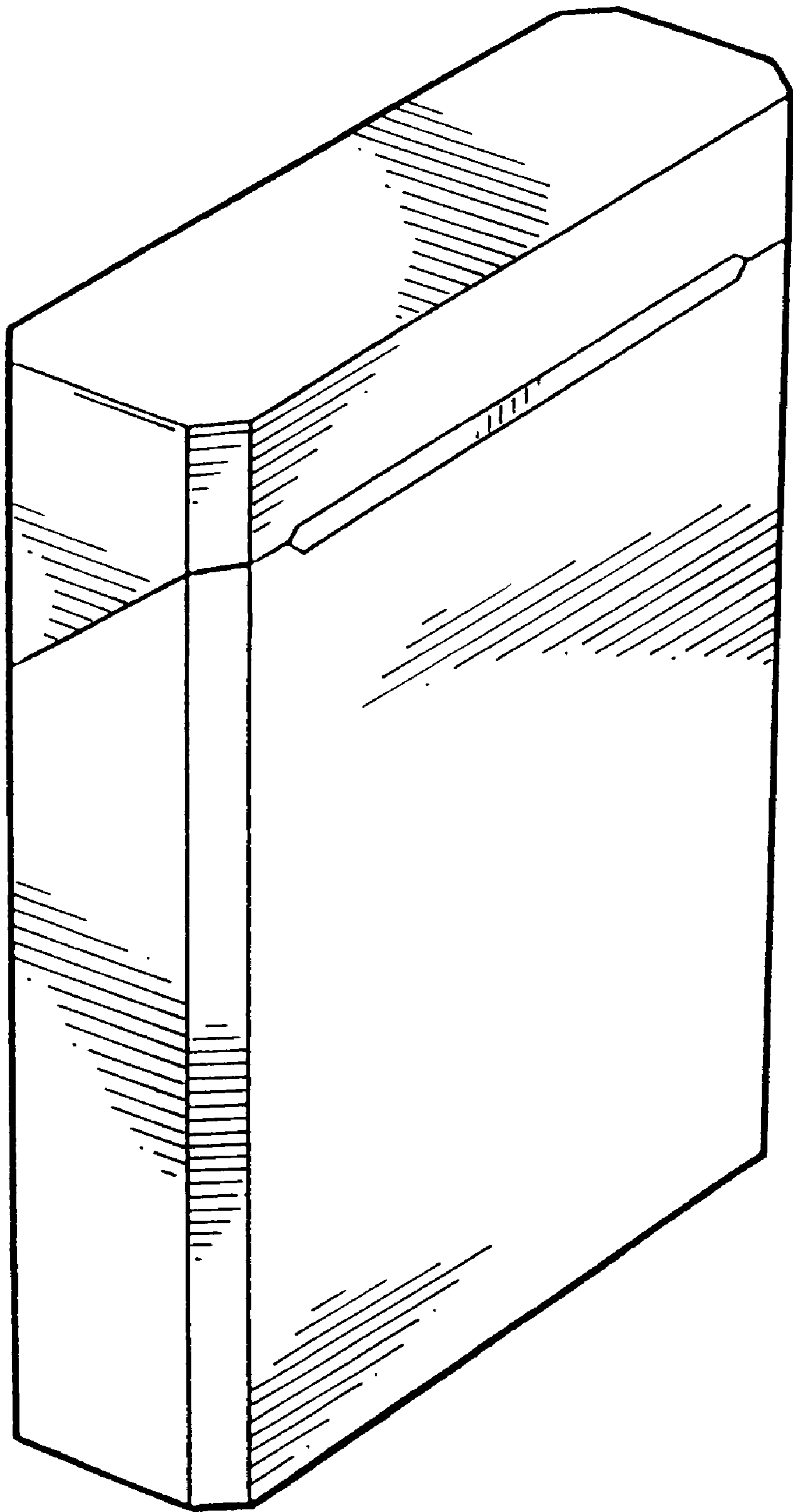


FIGURE 2

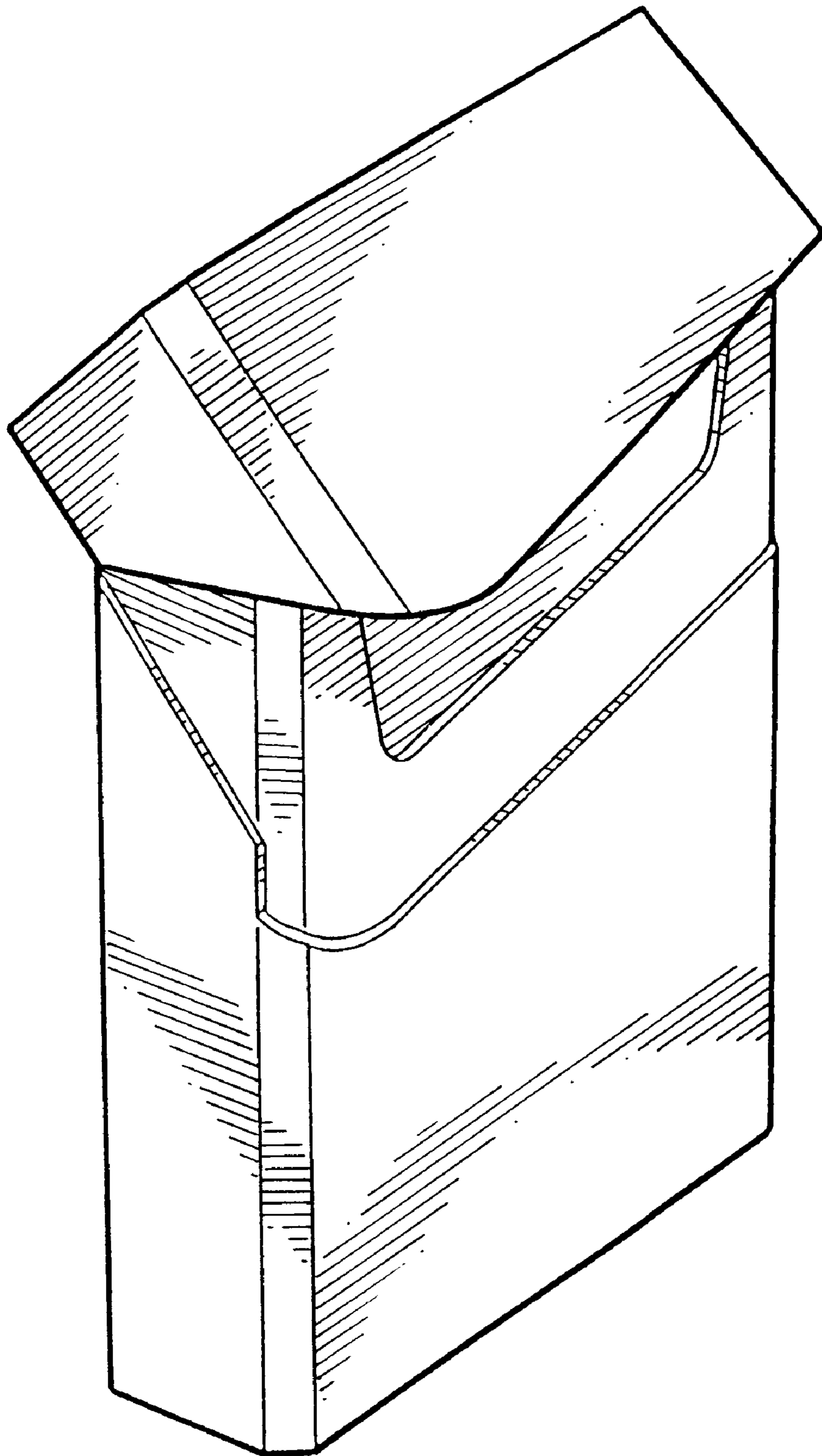


FIGURE 3



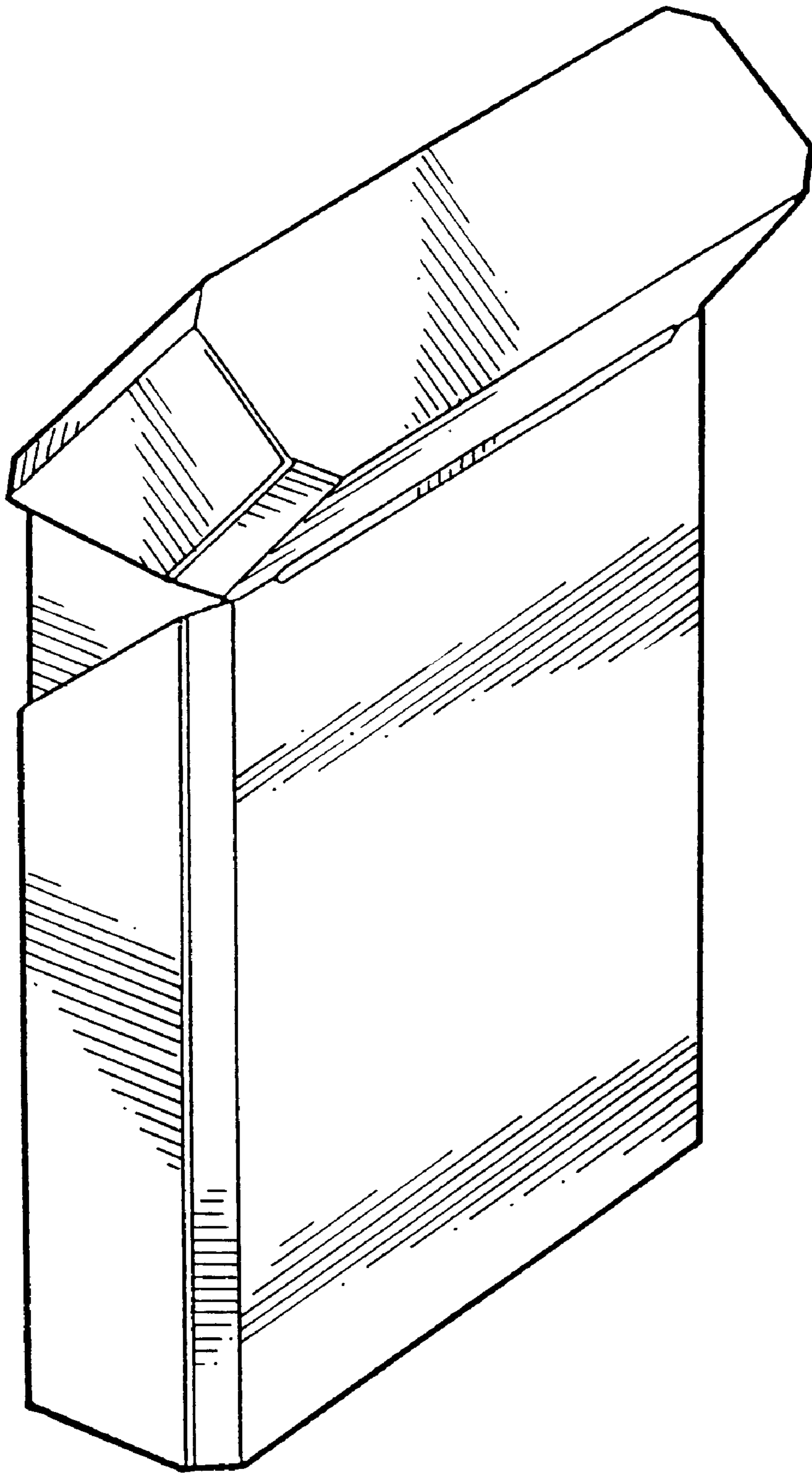


FIGURE 4

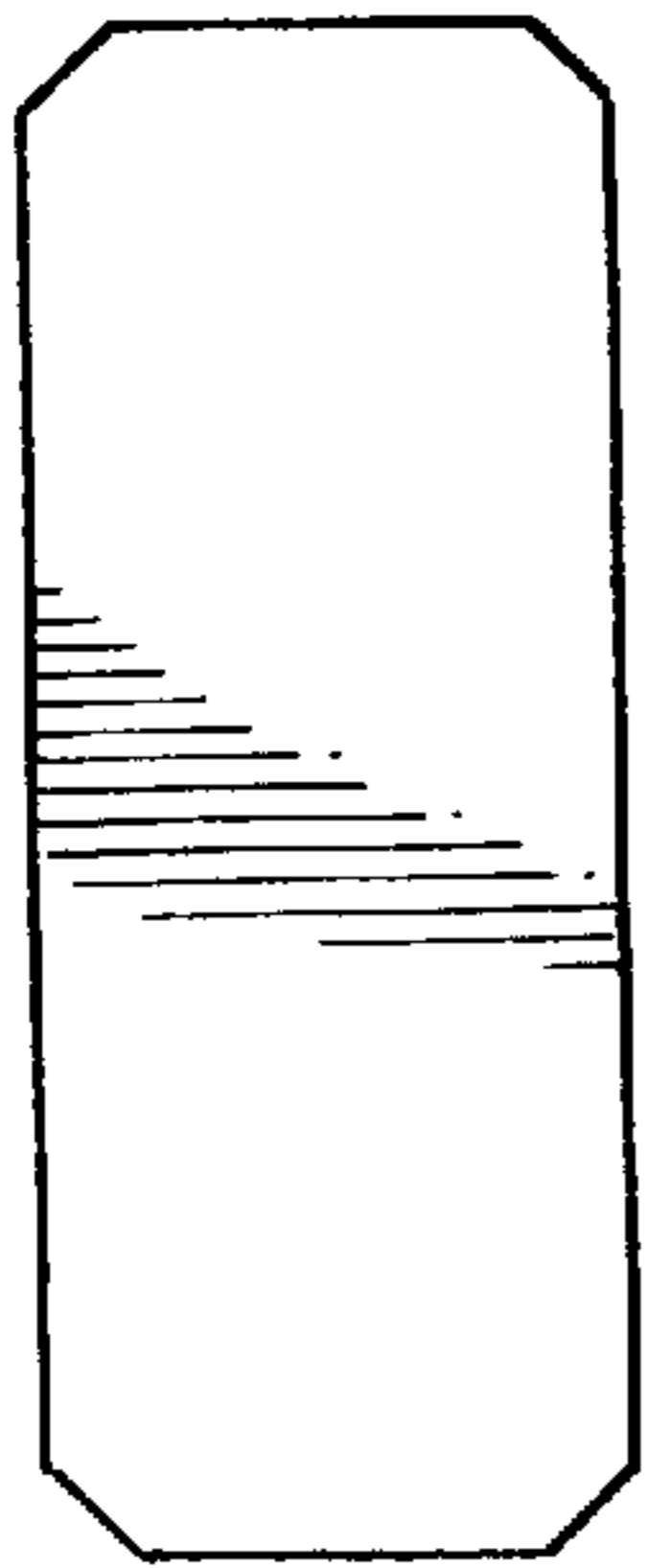


FIGURE 5

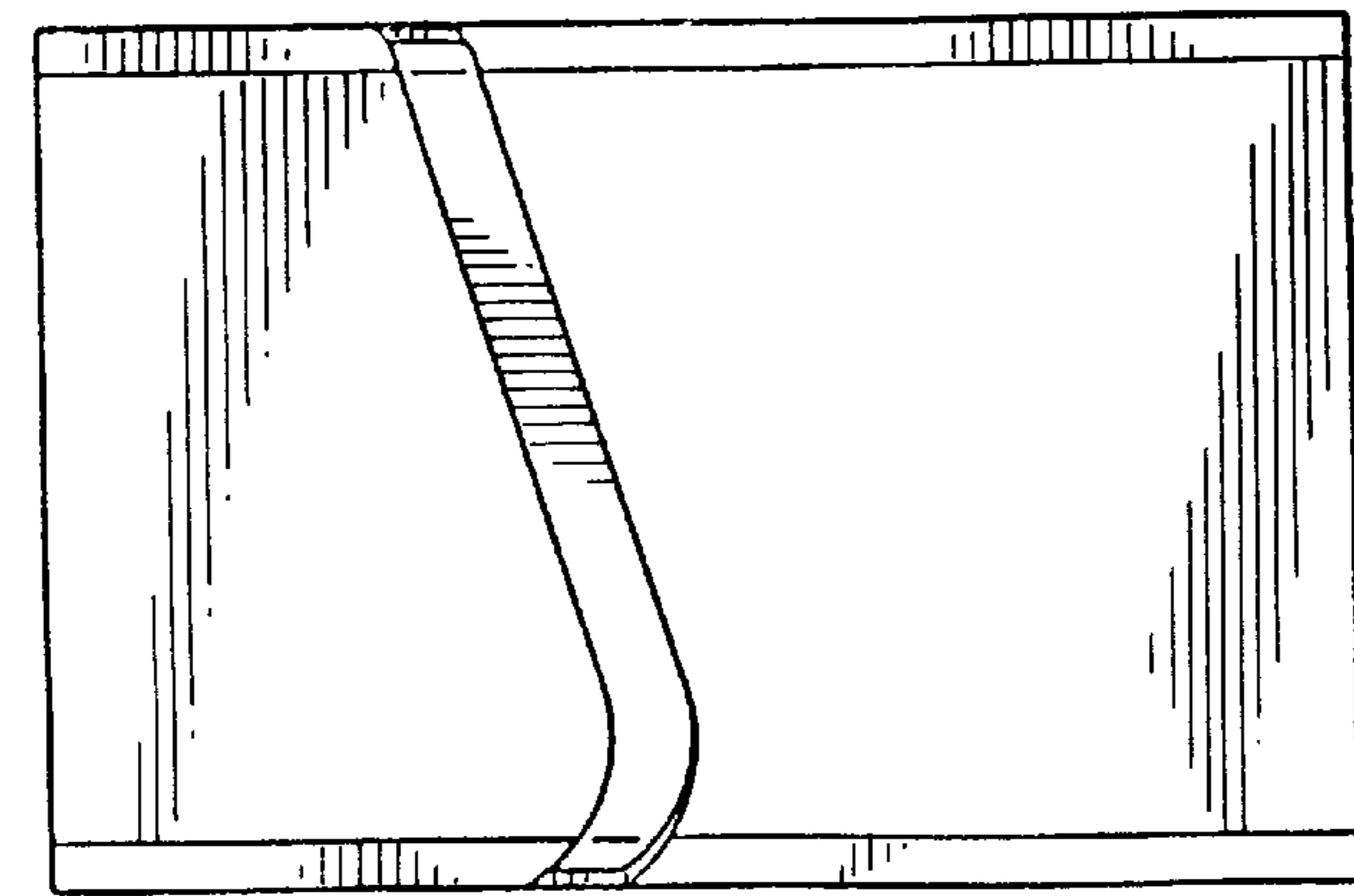


FIGURE 7

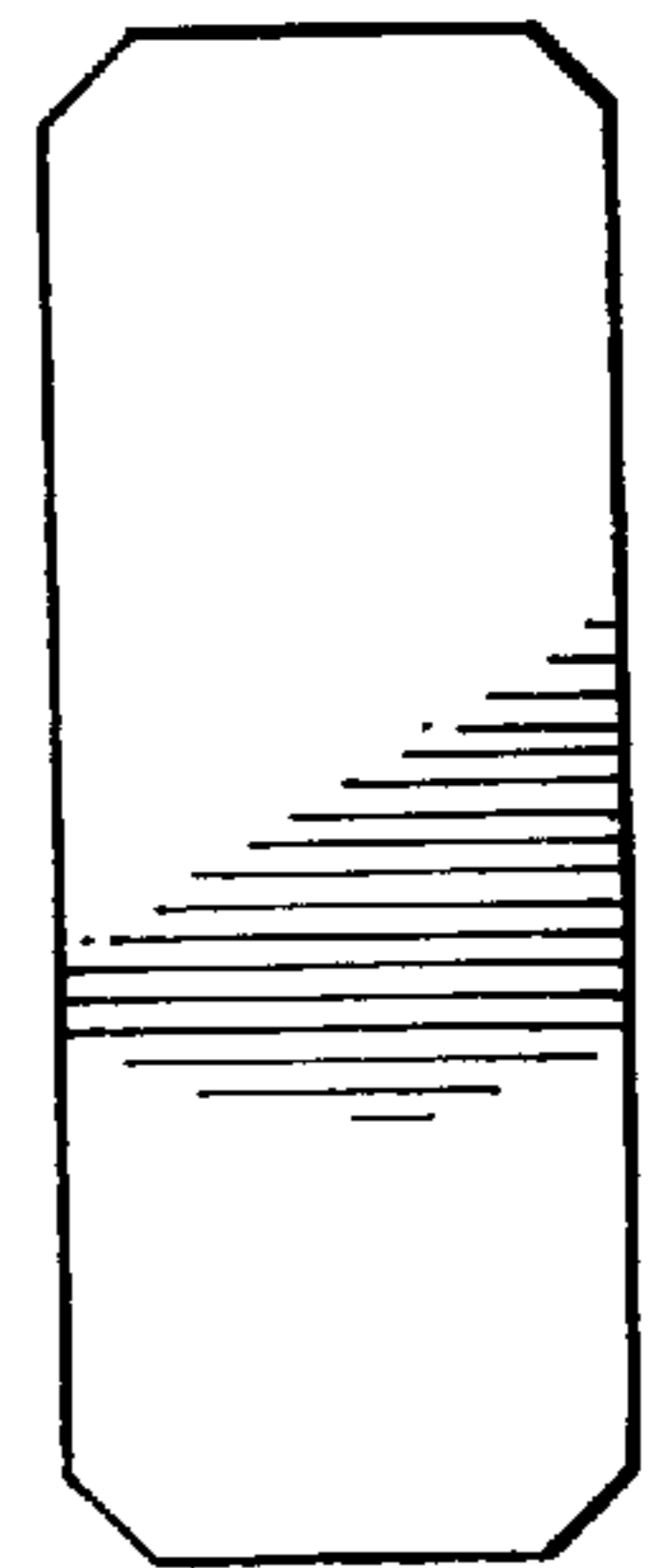


FIGURE 10

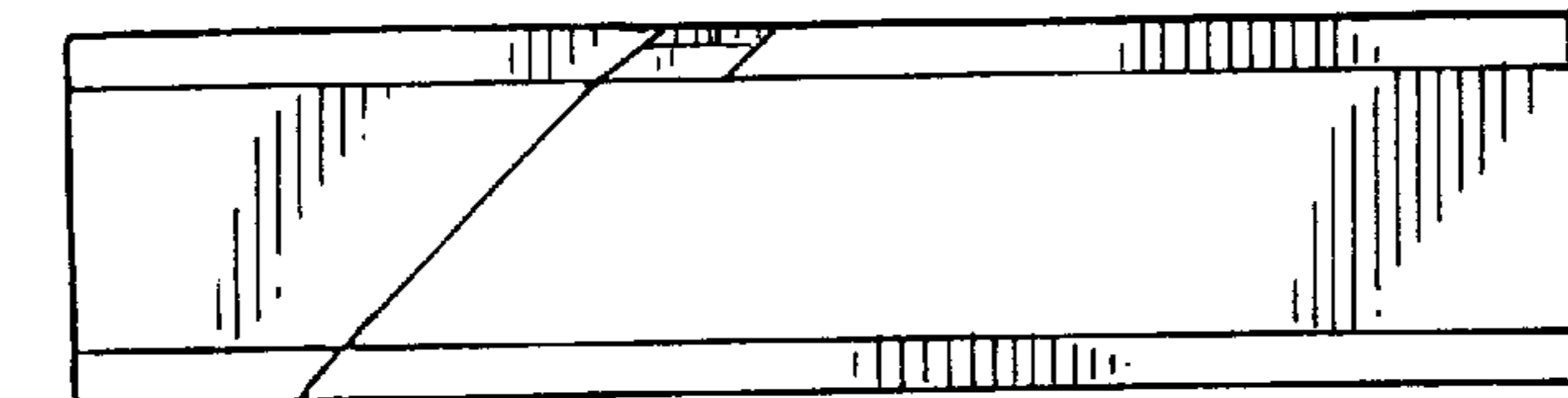


FIGURE 6

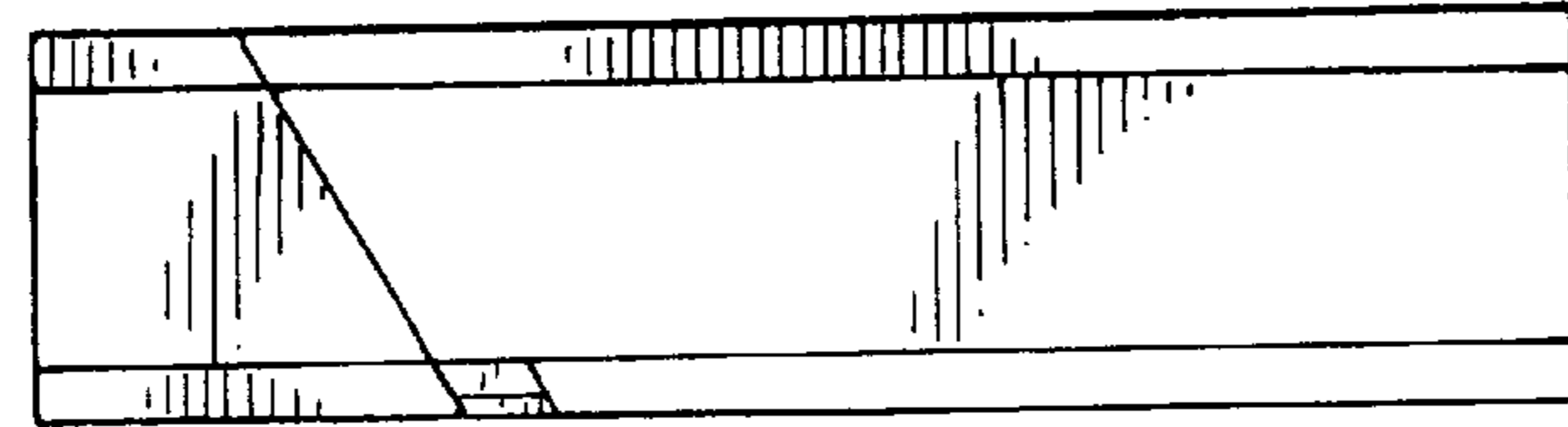


FIGURE 8

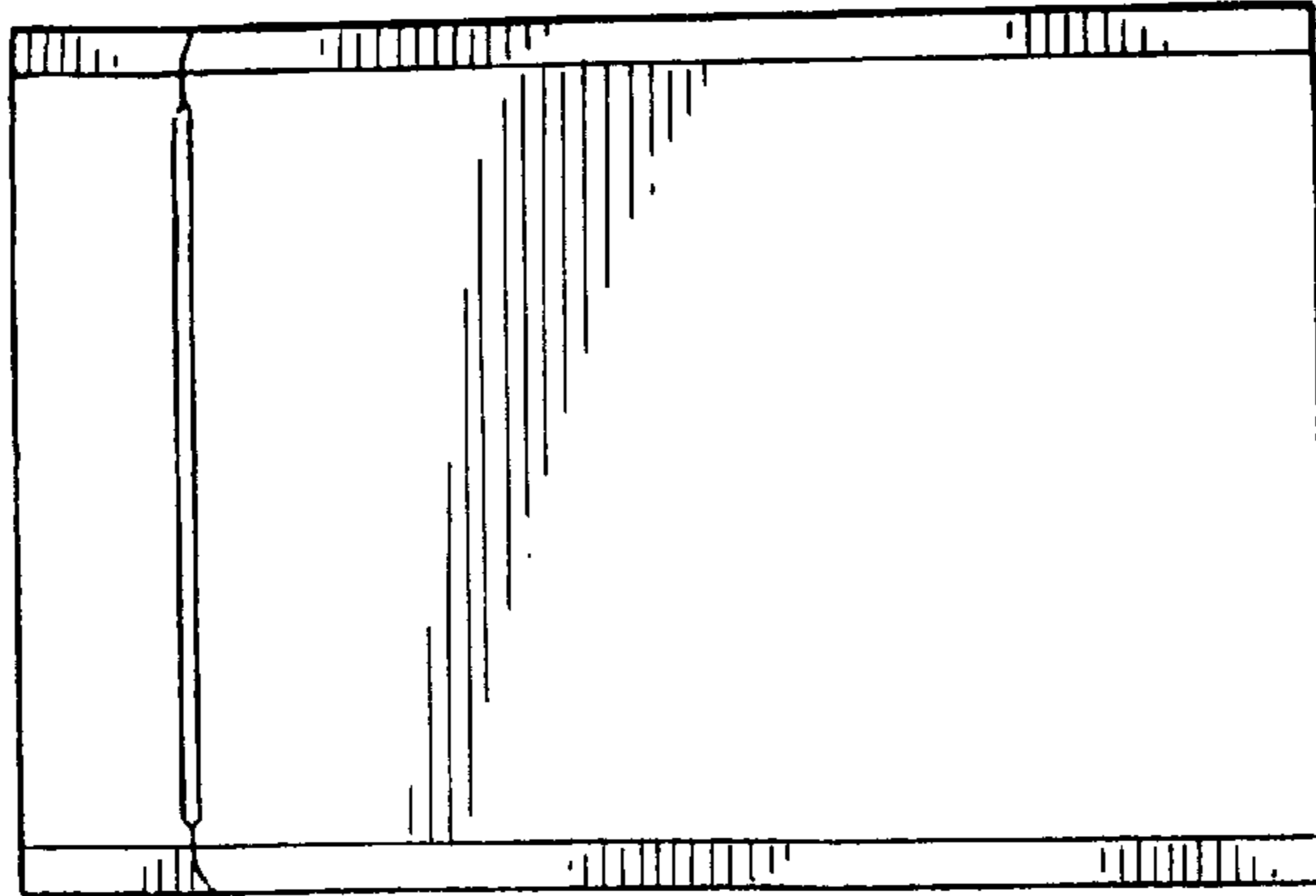


FIGURE 9