



US00D418937S

**United States Patent** [19]  
**Von Kluck**

[11] **Patent Number: Des. 418,937**  
[45] **Date of Patent: \*\* Jan. 11, 2000**

[54] **CHANDELIER**

[75] Inventor: **Kevin Von Kluck**, Hudson, Ohio

[73] Assignee: **The L. D. Kichler Co.**, Cleveland, Ohio

[\*\*] Term: **14 Years**

[21] Appl. No.: **29/094,648**

[22] Filed: **Oct. 7, 1998**

[51] **LOC (7) Cl.** ..... **26-05**

[52] **U.S. Cl.** ..... **D26/84**

[58] **Field of Search** ..... D26/72, 80-92;  
362/147, 432, 404, 405, 406, 407, 408

[56] **References Cited**

**U.S. PATENT DOCUMENTS**

D. 408,575 4/1999 Von Kluck ..... D26/81

**OTHER PUBLICATIONS**

Bright Lighting catalog, p. 7, chandelier #DL2106-02, Jan. 1995.

*Primary Examiner*—Susan J. Lucas

*Attorney, Agent, or Firm*—Watts, Hoffmann, Fisher & Heinke, Co., L.P.A.

[57] **CLAIM**

I claim the ornamental design for a chandelier, as shown and described.

**DESCRIPTION**

FIG. 1 is a perspective view of a chandelier showing my new design;

FIG. 2 is a front elevational view of the chandelier, the rear elevational view being a mirror image;

FIG. 3 is a left side elevational view of the chandelier;

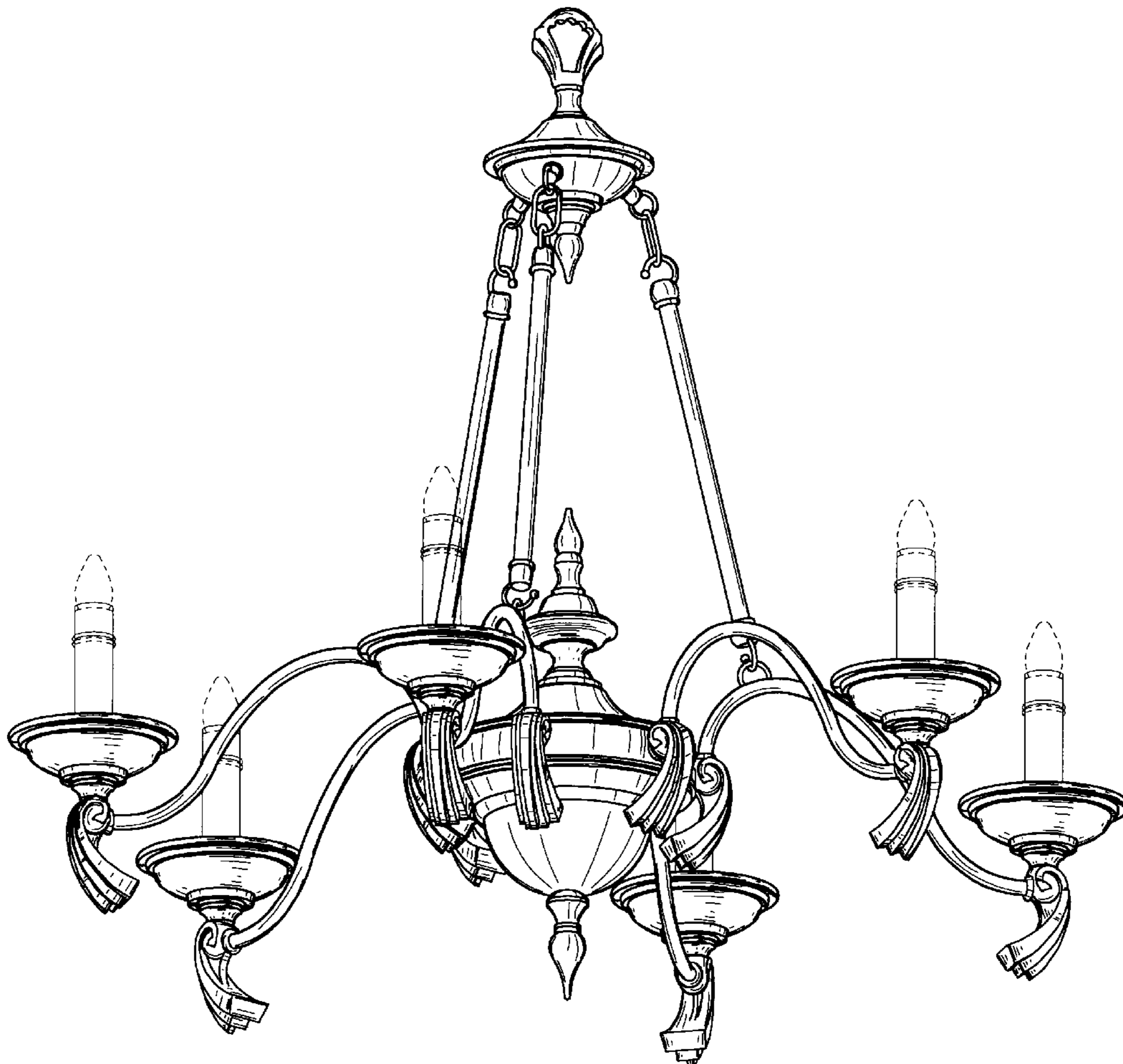
FIG. 4 is a right side elevational view of the chandelier;

FIG. 5 is a top plan view of the chandelier; and,

FIG. 6 is a bottom plan view of the chandelier.

The broken lines shown are for illustrative purposes only and form no part of the claimed design.

**1 Claim, 6 Drawing Sheets**



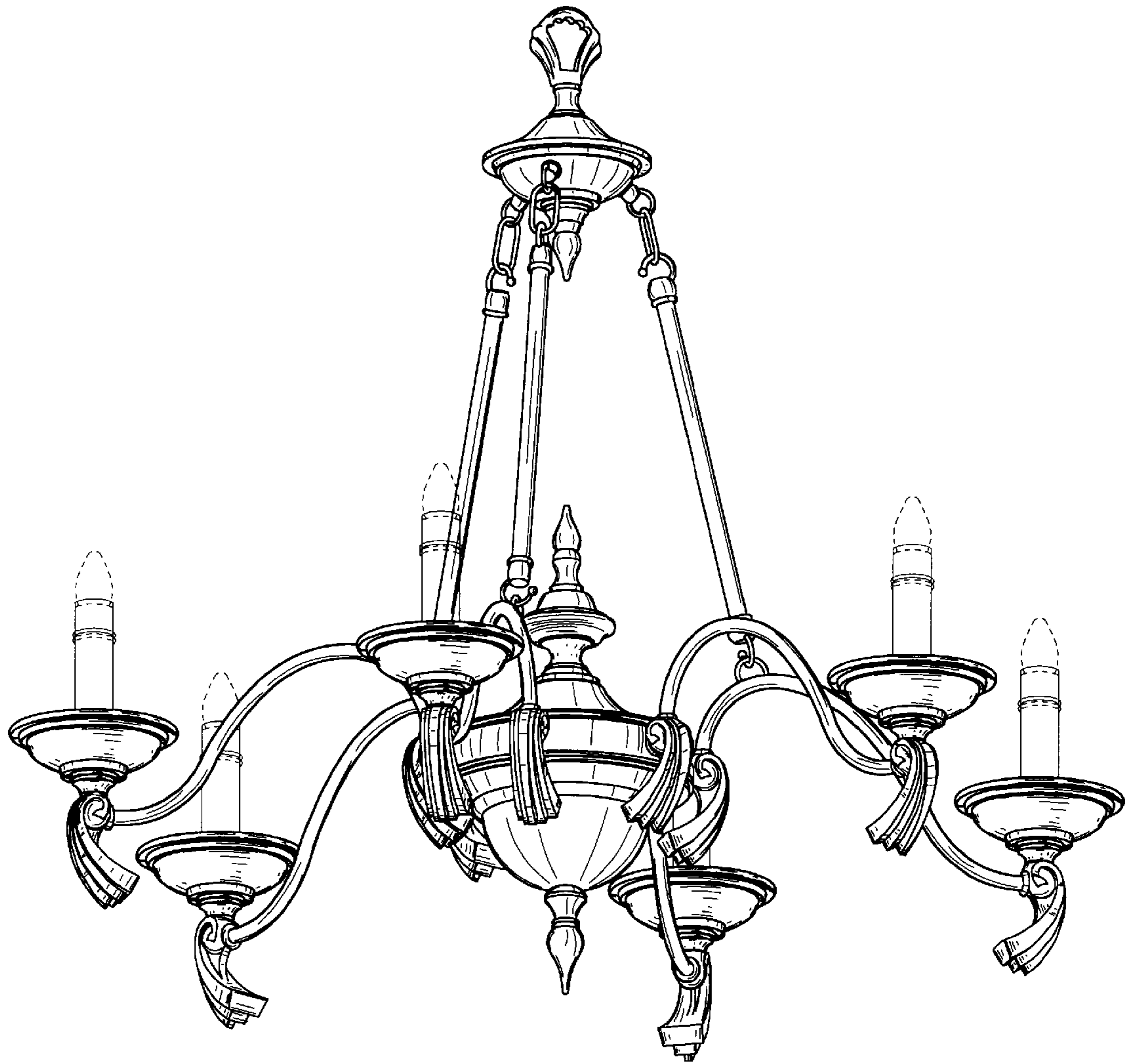


Fig.1

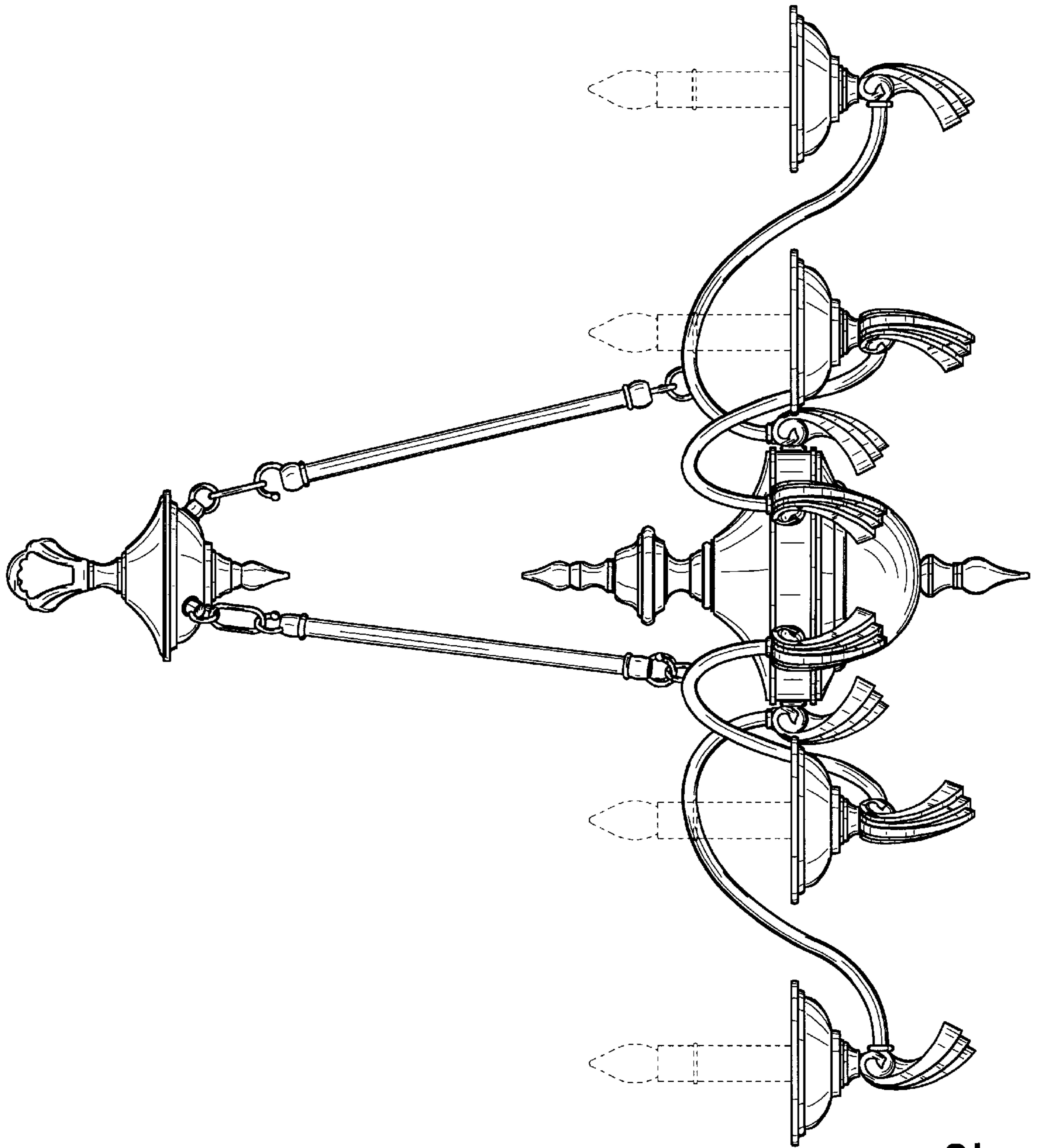


Fig.2

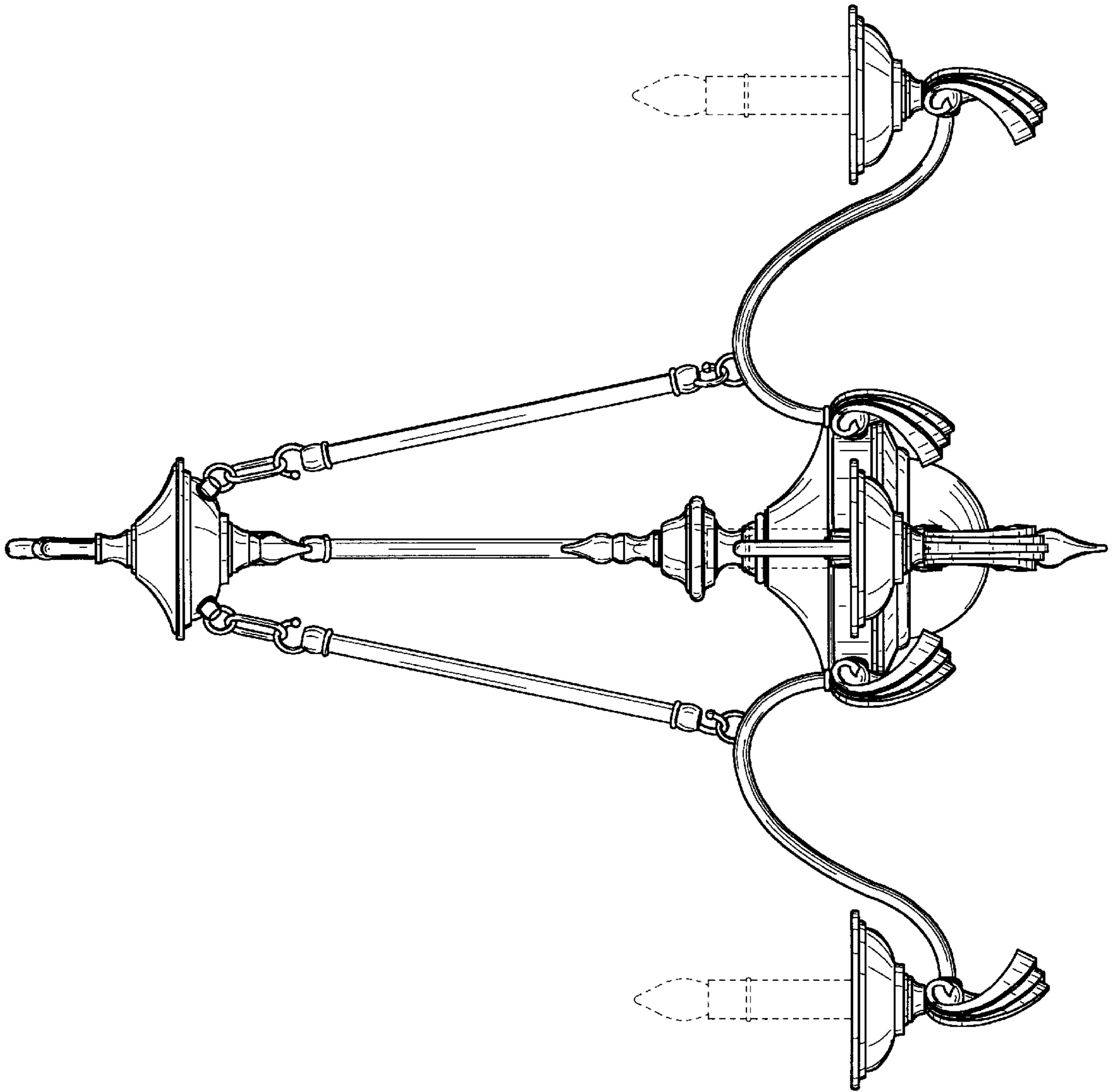


Fig.3

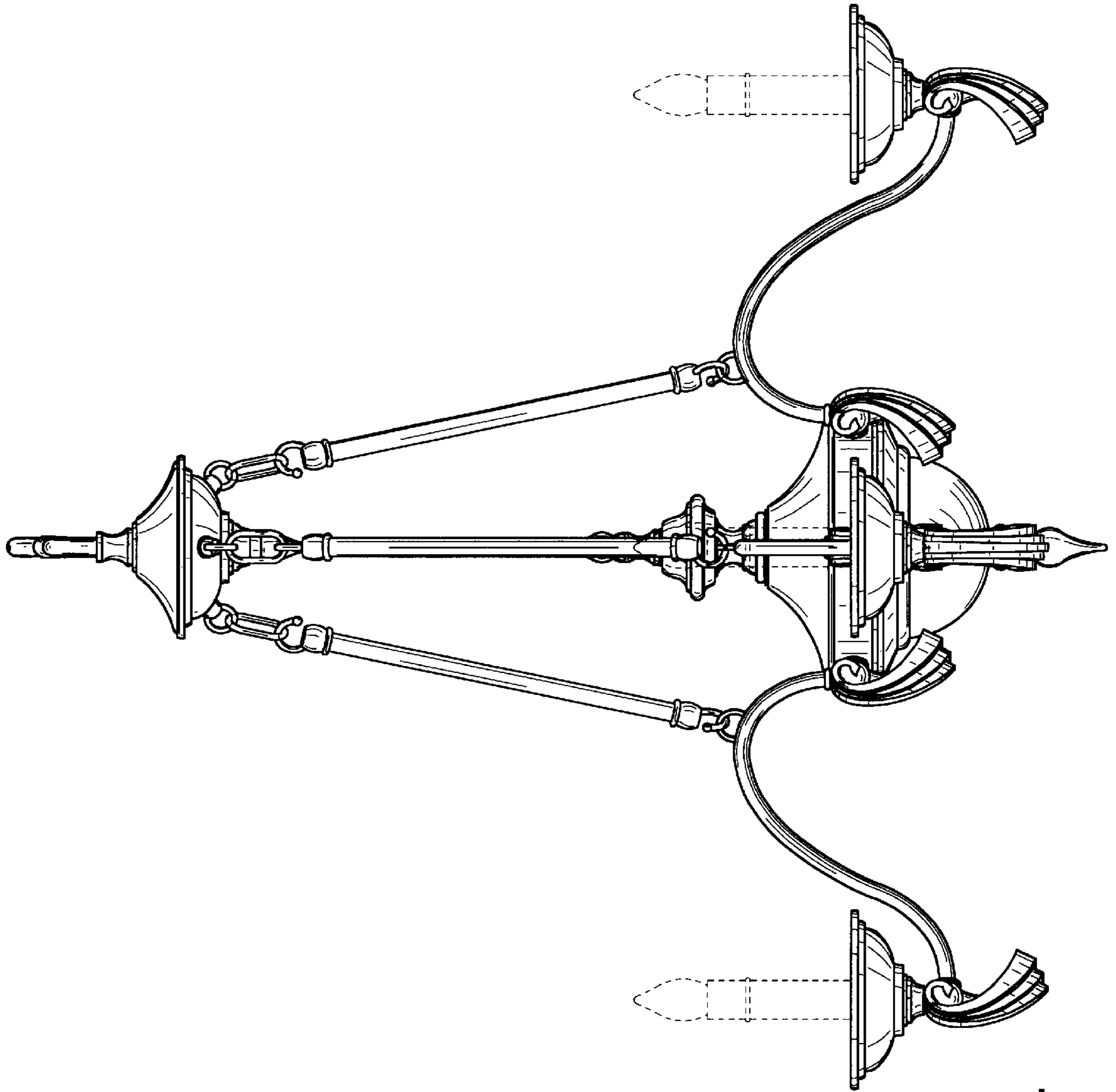


Fig.4

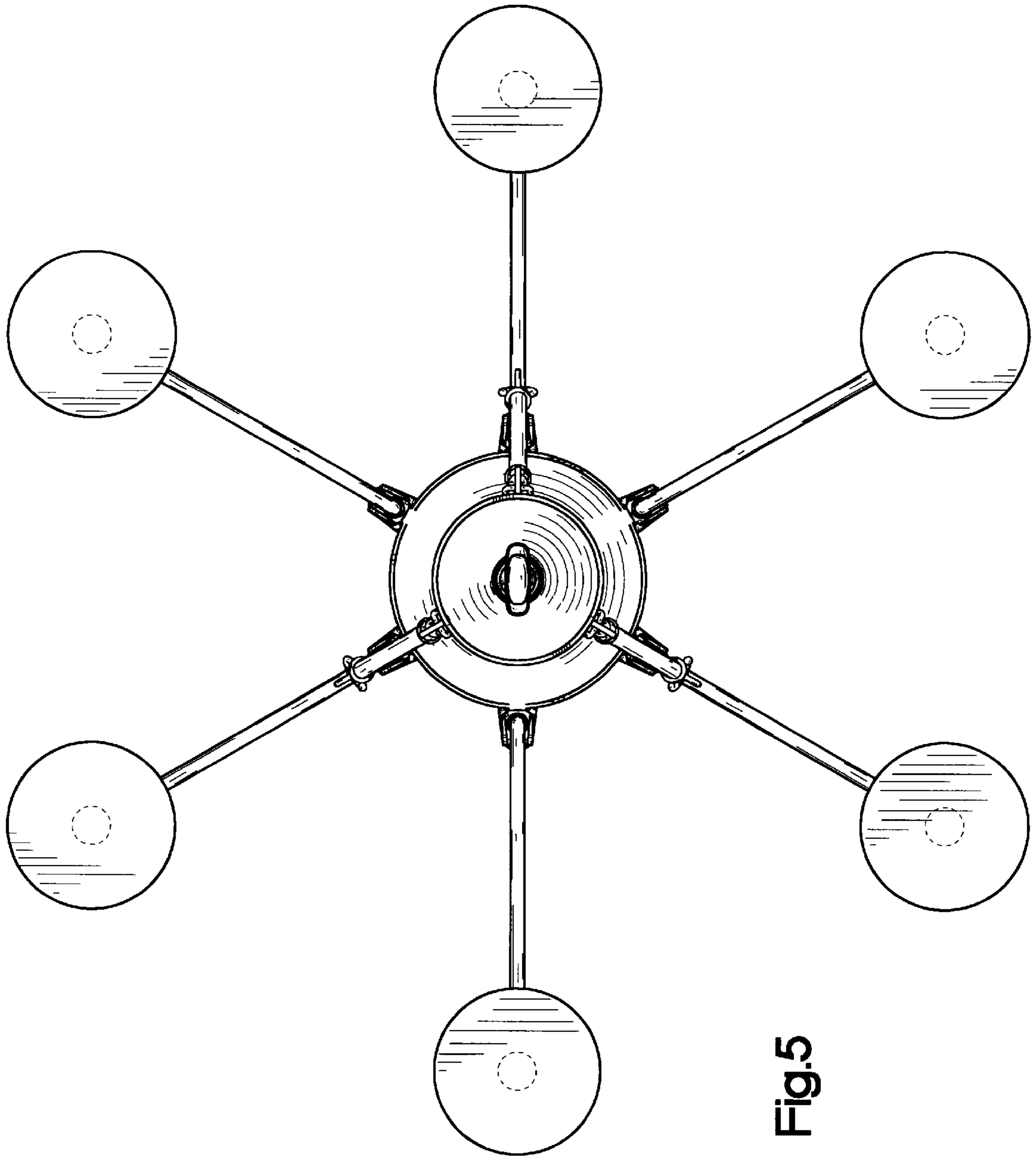


Fig.5

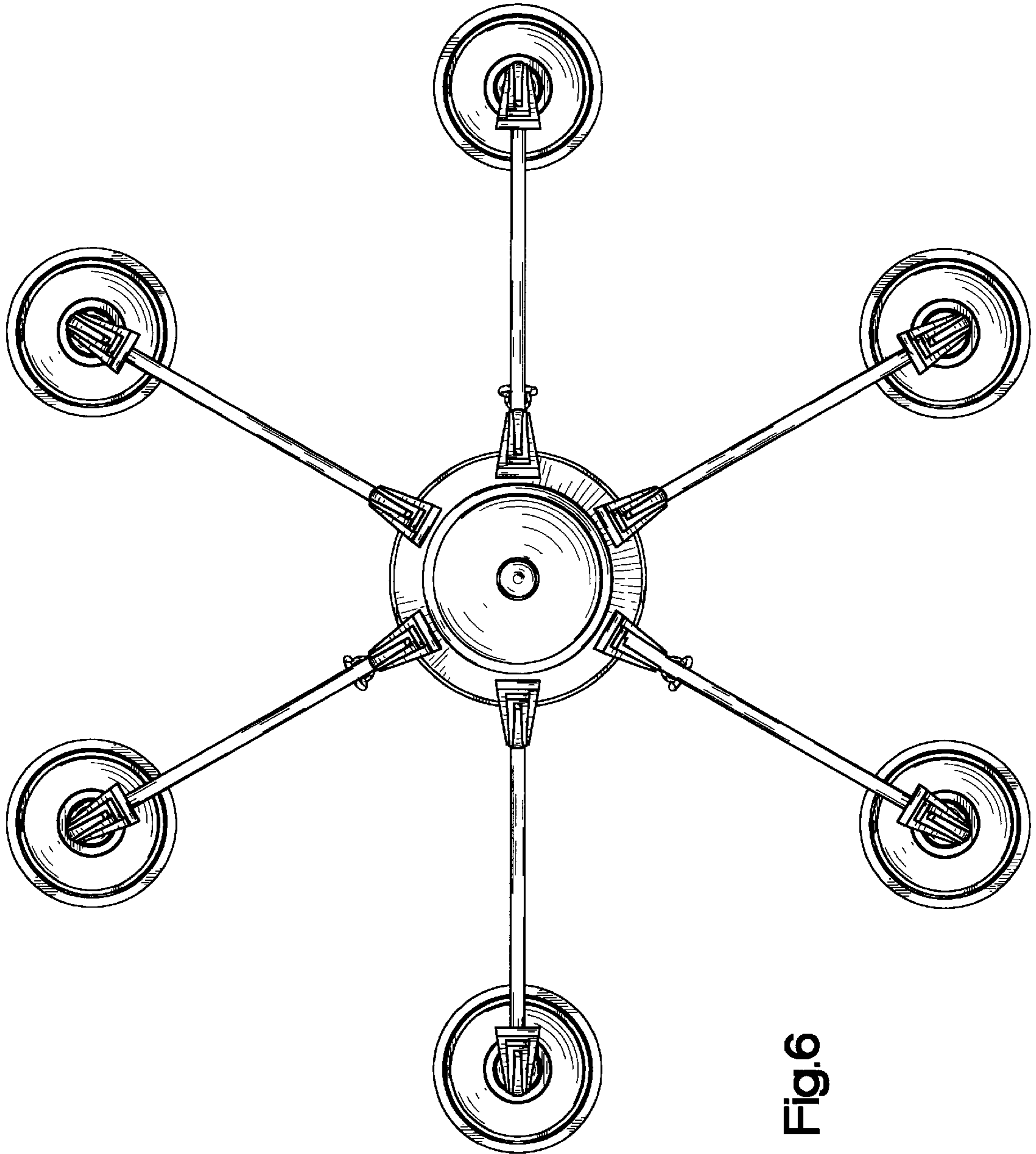


Fig.6