



US00D418935S

**United States Patent** [19]  
**Gilbert et al.**

[11] **Patent Number: Des. 418,935**  
[45] **Date of Patent: \*\* Jan. 11, 2000**

[54] **LANDSCAPE LIGHT**

5,274,537 12/1993 Altman ..... 362/353  
5,297,013 3/1994 Hall et al. .... 362/363  
5,526,243 6/1996 Masters ..... 362/122

[76] Inventors: **Steven E. Gilbert**, 31 Lockwood Rd.,  
Brampton Ontario, Canada, L6Y 4T7;  
**James T. Moore**, 4170 Credit Pointe  
Dr., Mississauga Ont, Canada, L5M  
3K1

*Primary Examiner*—Freda Nunn

[\*\*] Term: **14 Years**

[57] **CLAIM**

The ornamental design for a landscape light, as shown and described.

[21] Appl. No.: **29/091,108**

**DESCRIPTION**

[22] Filed: **Jul. 23, 1998**

FIG. 1 is a front elevational view of the landscape light showing my new design;  
FIG. 2 is a rear elevational view thereof;  
FIG. 3 is a left side elevational view thereof;  
FIG. 4 is a right side elevational view thereof;  
FIG. 5 is a top plan view thereof; and,  
FIG. 6 is a bottom plan view thereof.

[51] **LOC (7) Cl.** ..... **26-05**

[52] **U.S. Cl.** ..... **D26/68; D11/121**

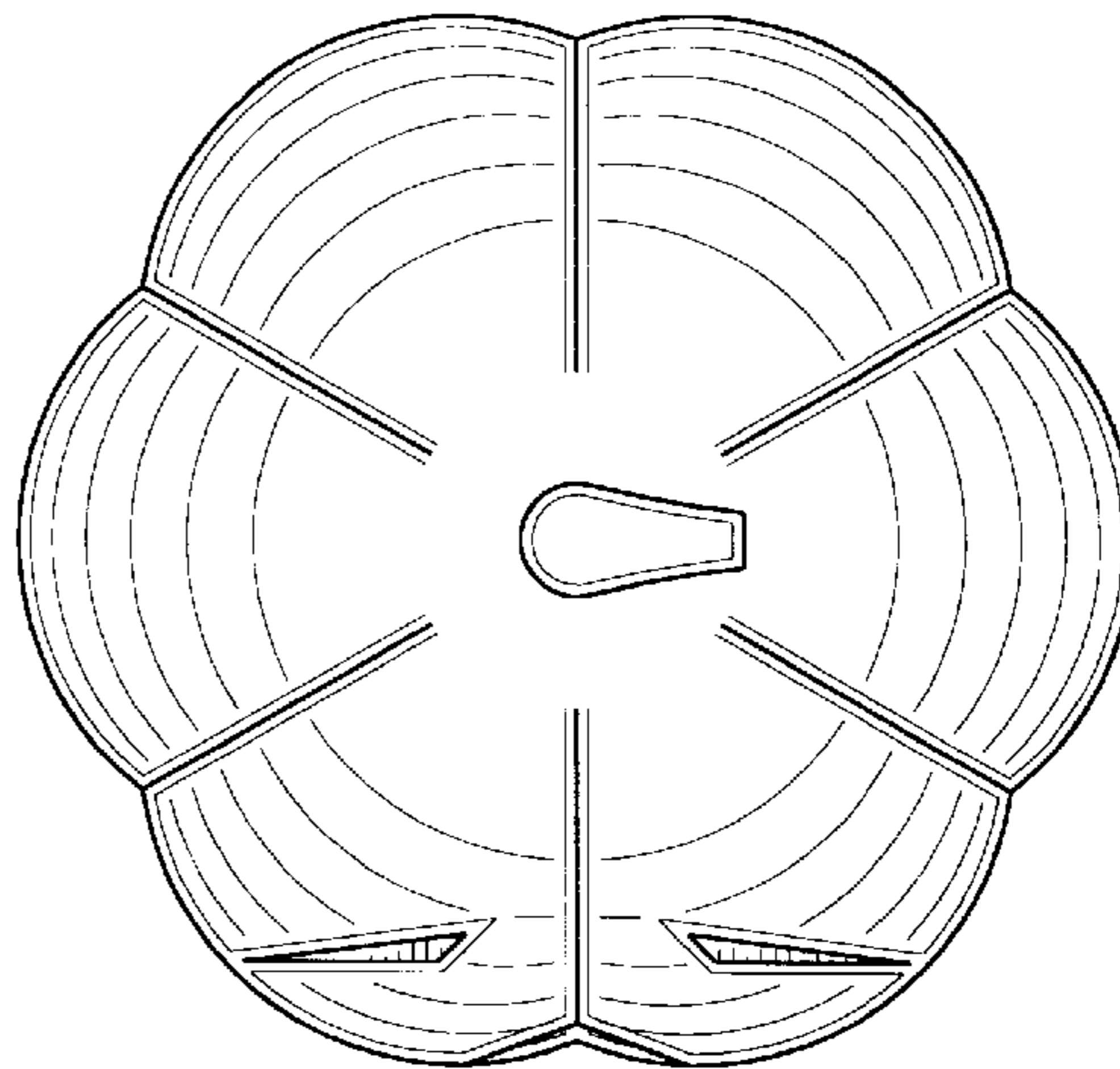
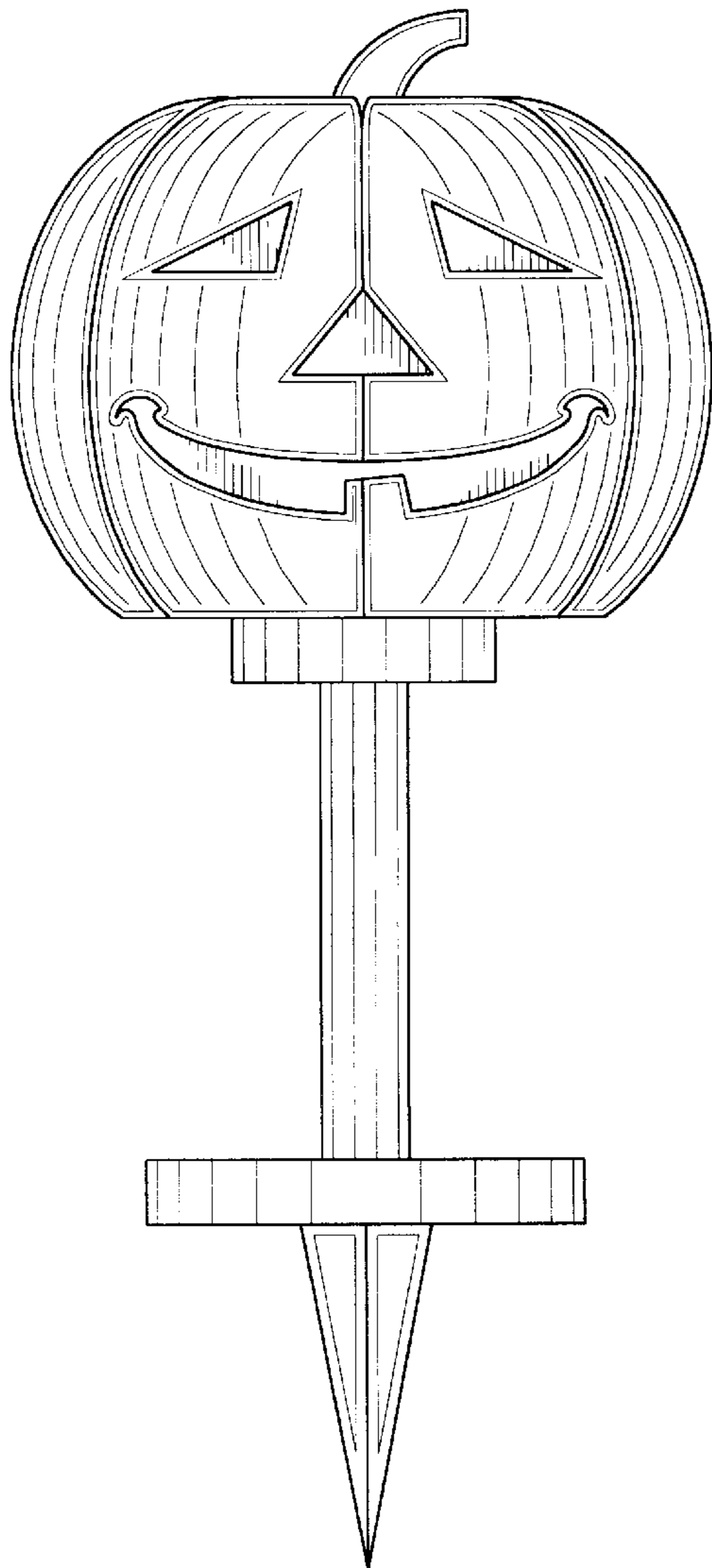
[58] **Field of Search** ..... D26/67-71, 127,  
D26/125; 362/153, 153.1, 431, 353, 363,  
152, 122; D11/121

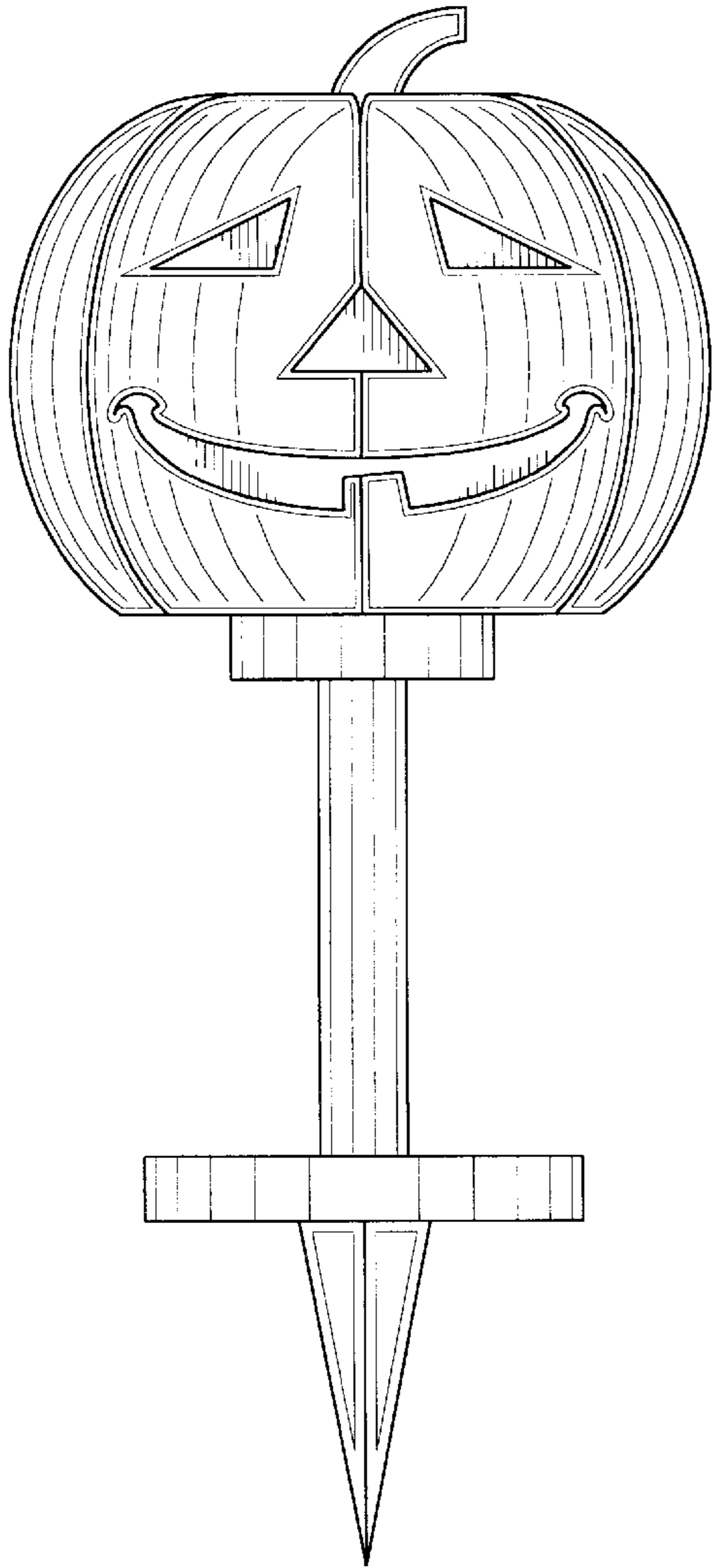
[56] **References Cited**

**U.S. PATENT DOCUMENTS**

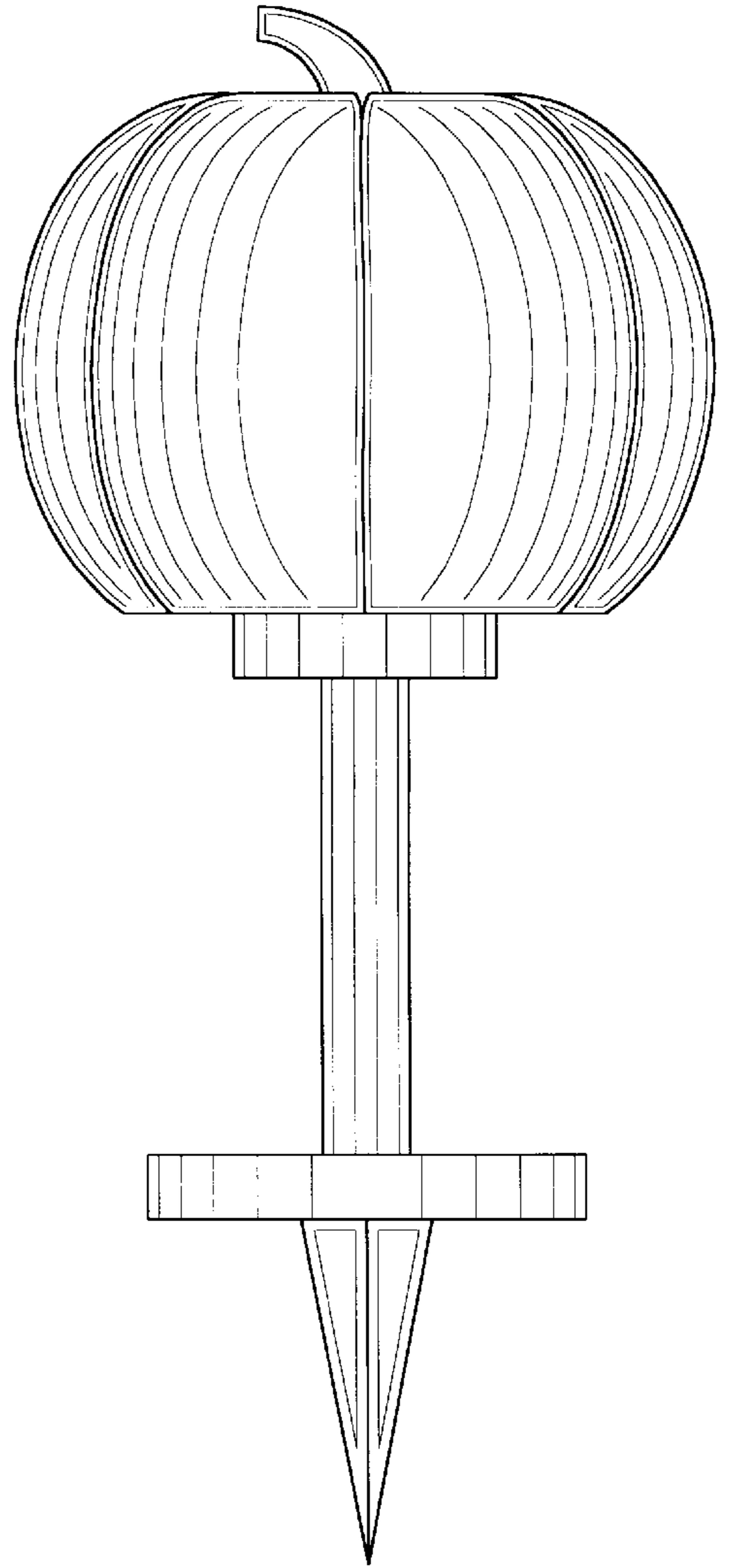
D. 345,621 3/1994 McLaughlin, II ..... D26/127

**1 Claim, 3 Drawing Sheets**

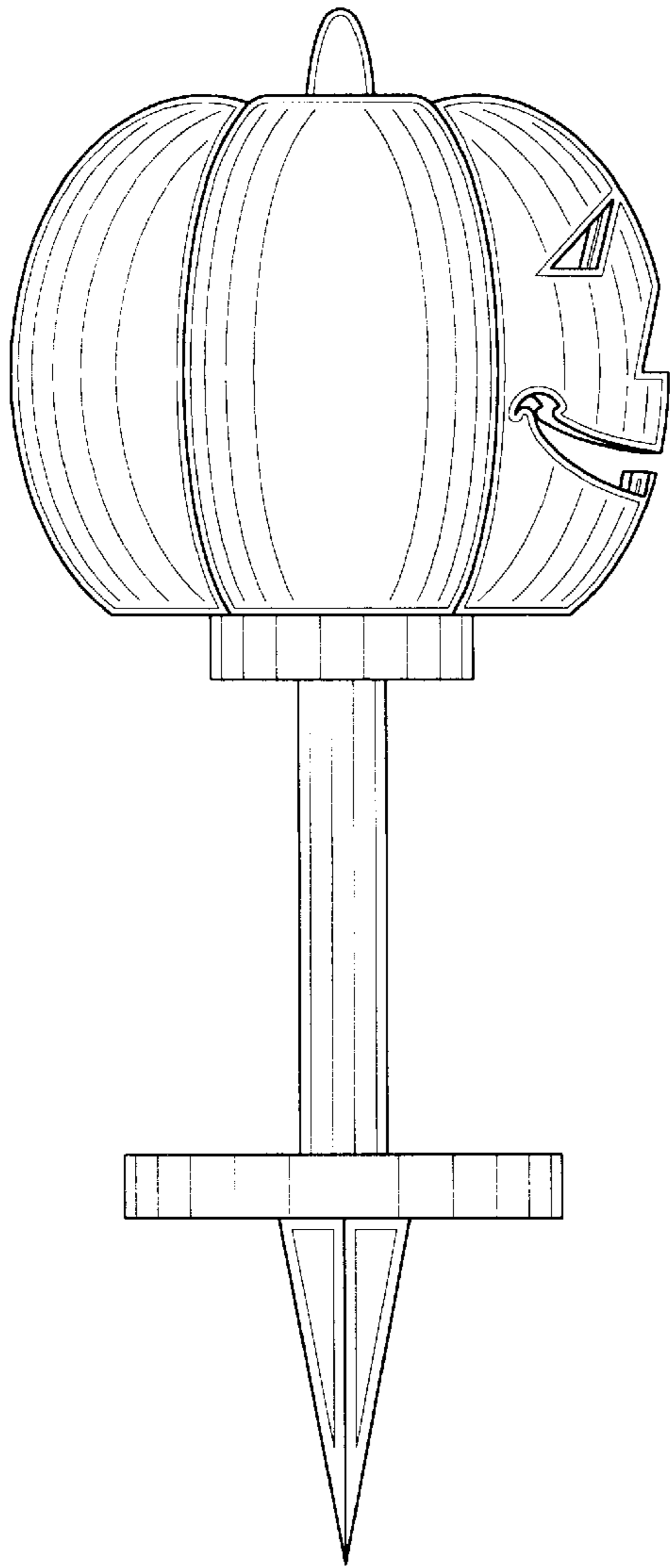




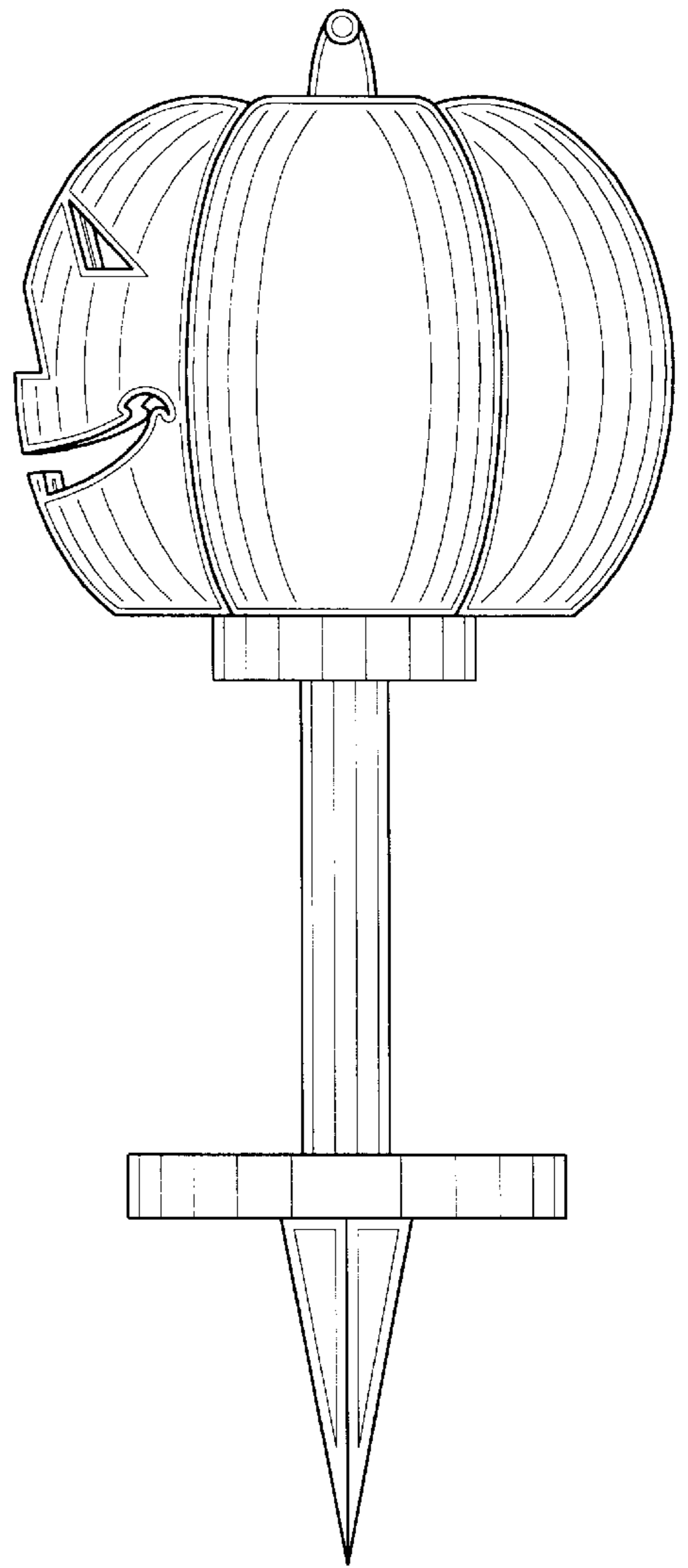
*Fig. 1*



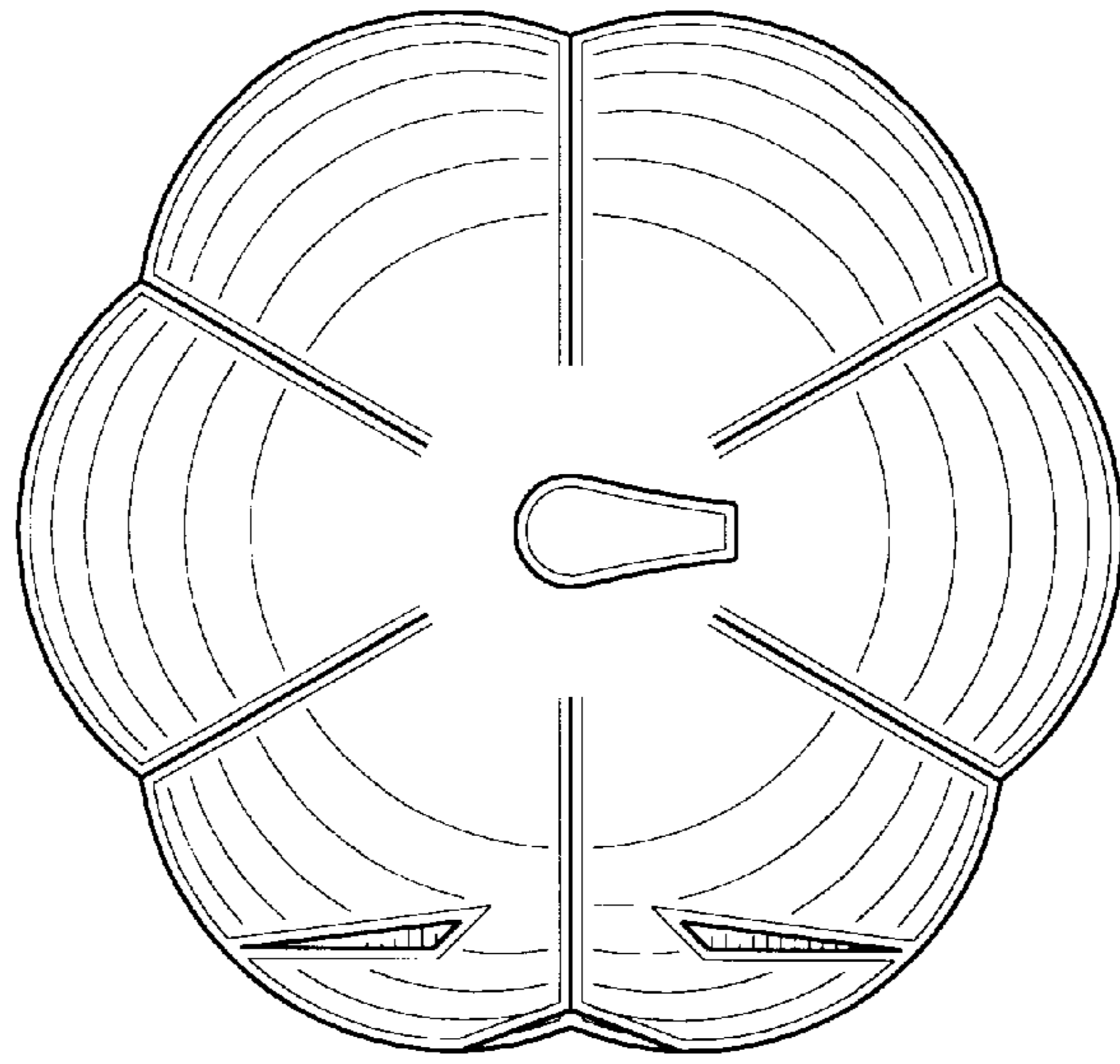
*Fig. 2*



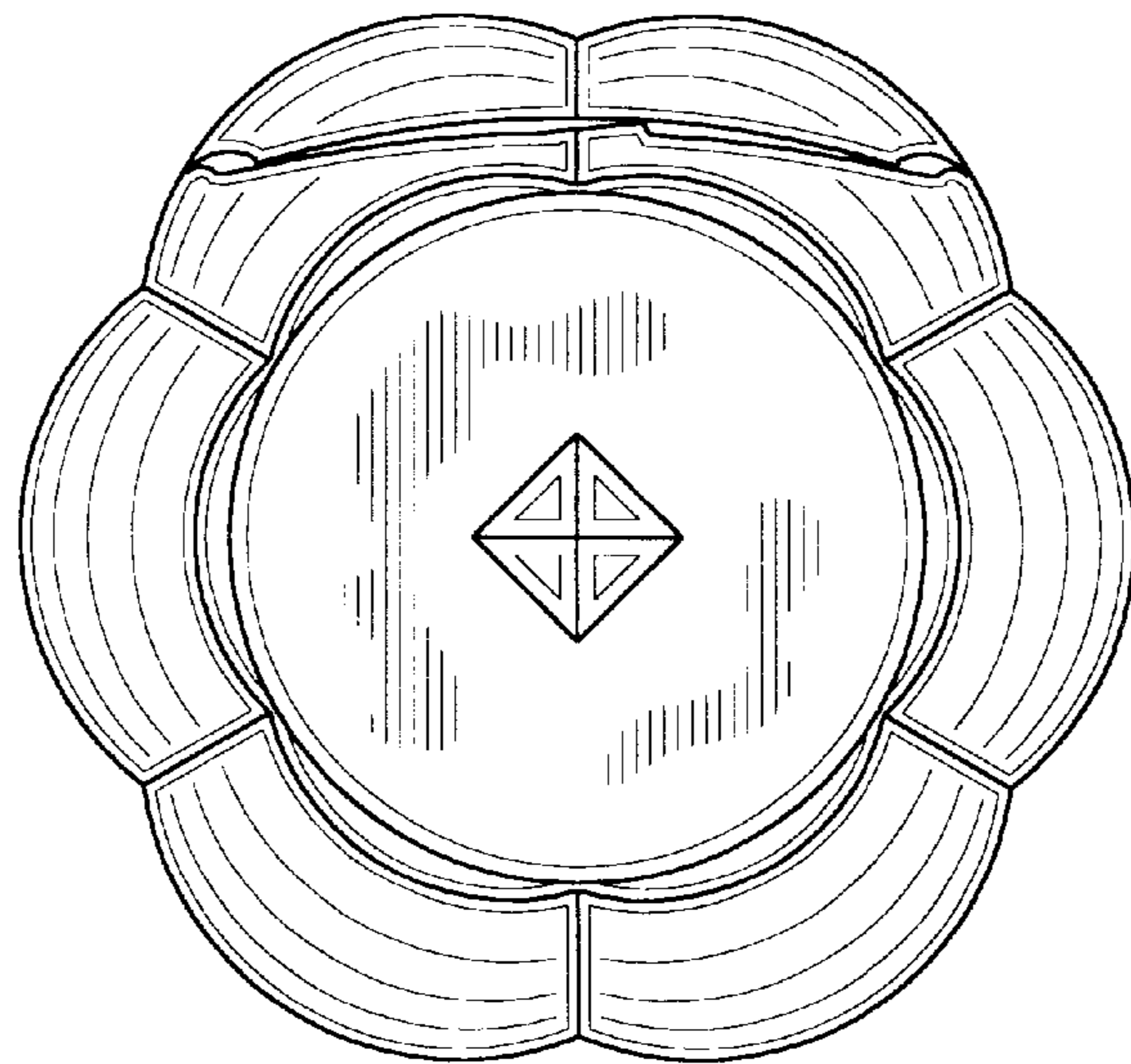
*Fig. 3*



*Fig. 4*



*Fig. 5*



*Fig. 6*