



US00D418933S

United States Patent [19] Yang

[11] **Patent Number: Des. 418,933**

[45] **Date of Patent: ** Jan. 11, 2000**

[54] **FLASHLIGHT**

D. 396,314 7/1998 Chiu D26/49

[75] **Inventor: Man Ho Yang**, Shatin, New Territories,
The Hong Kong Special Administrative
Region of the People's Republic of
China

Primary Examiner—Marcus A. Jackson
Attorney, Agent, or Firm—Alix, Yale & Ristas, LLP

[73] **Assignee: Creative Technology Hong Kong Ltd.**,
Shatin, The Hong Kong Special
Administrative Region of the People's
Republic of China

[57] **CLAIM**

The ornamental design for a flashlight, as shown and described.

[**] **Term: 14 Years**

DESCRIPTION

[21] **Appl. No.: 29/101,802**

FIG. 1 is a perspective view of the flashlight showing my new design;

[22] **Filed: Mar. 10, 1999**

FIG. 2 is a top plan view of the flashlight of FIG. 1;

[51] **LOC (7) Cl. 26-02**

[52] **U.S. Cl. D26/49**

[58] **Field of Search** D26/37-50; 362/157,
362/158, 171, 172, 181, 183-208

FIG. 3 is a bottom plan view of the flashlight of FIG. 1;

FIG. 4 is a right side view of the flashlight of FIG. 1;

FIG. 5 is a left side view of the flashlight of FIG. 1.

FIG. 6 is a front view of the flashlight of FIG. 1; and,

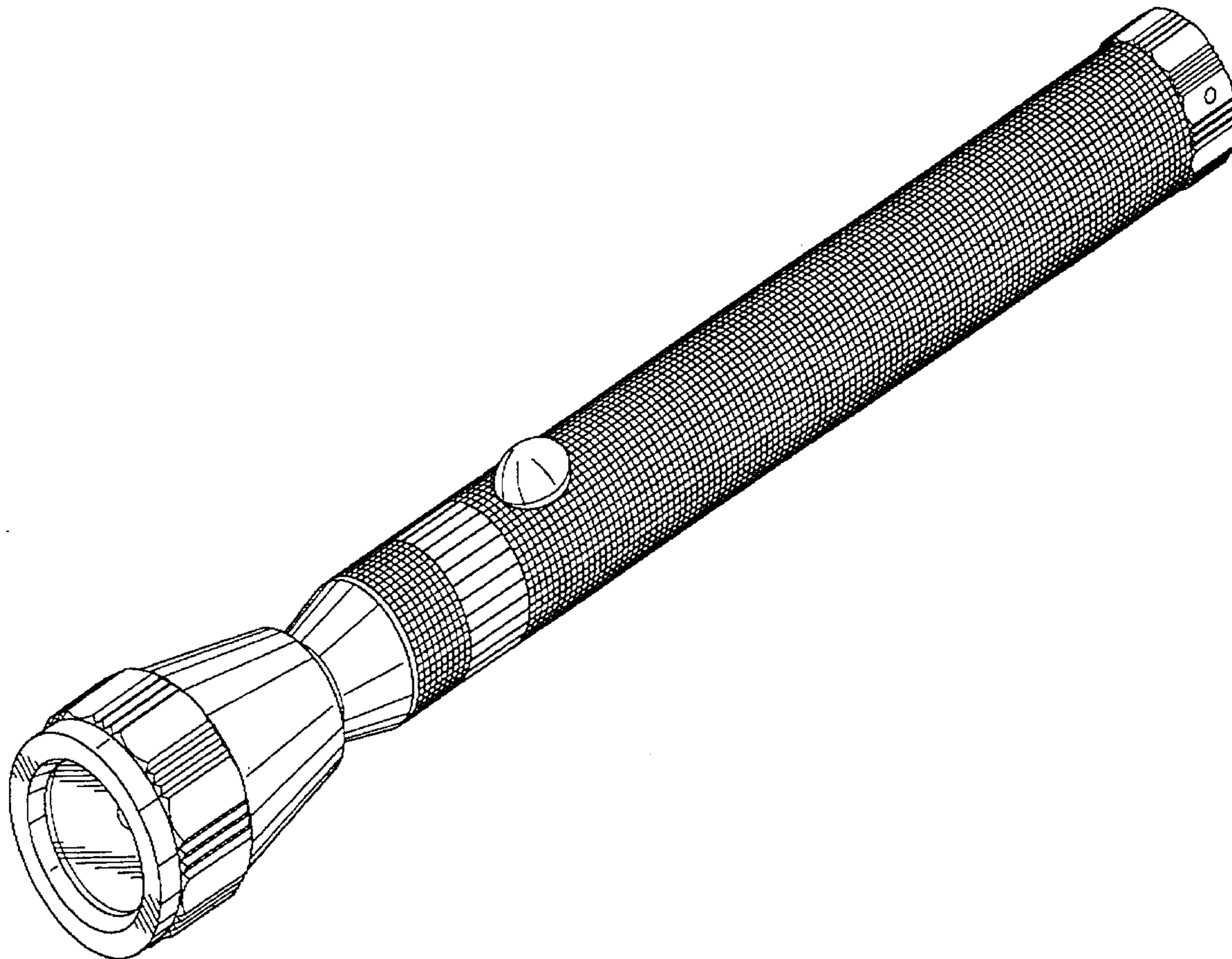
FIG. 7 is a rear view of the flashlight of FIG. 1.

[56] **References Cited**

U.S. PATENT DOCUMENTS

D. 394,321 5/1998 Chiu D26/49

1 Claim, 3 Drawing Sheets



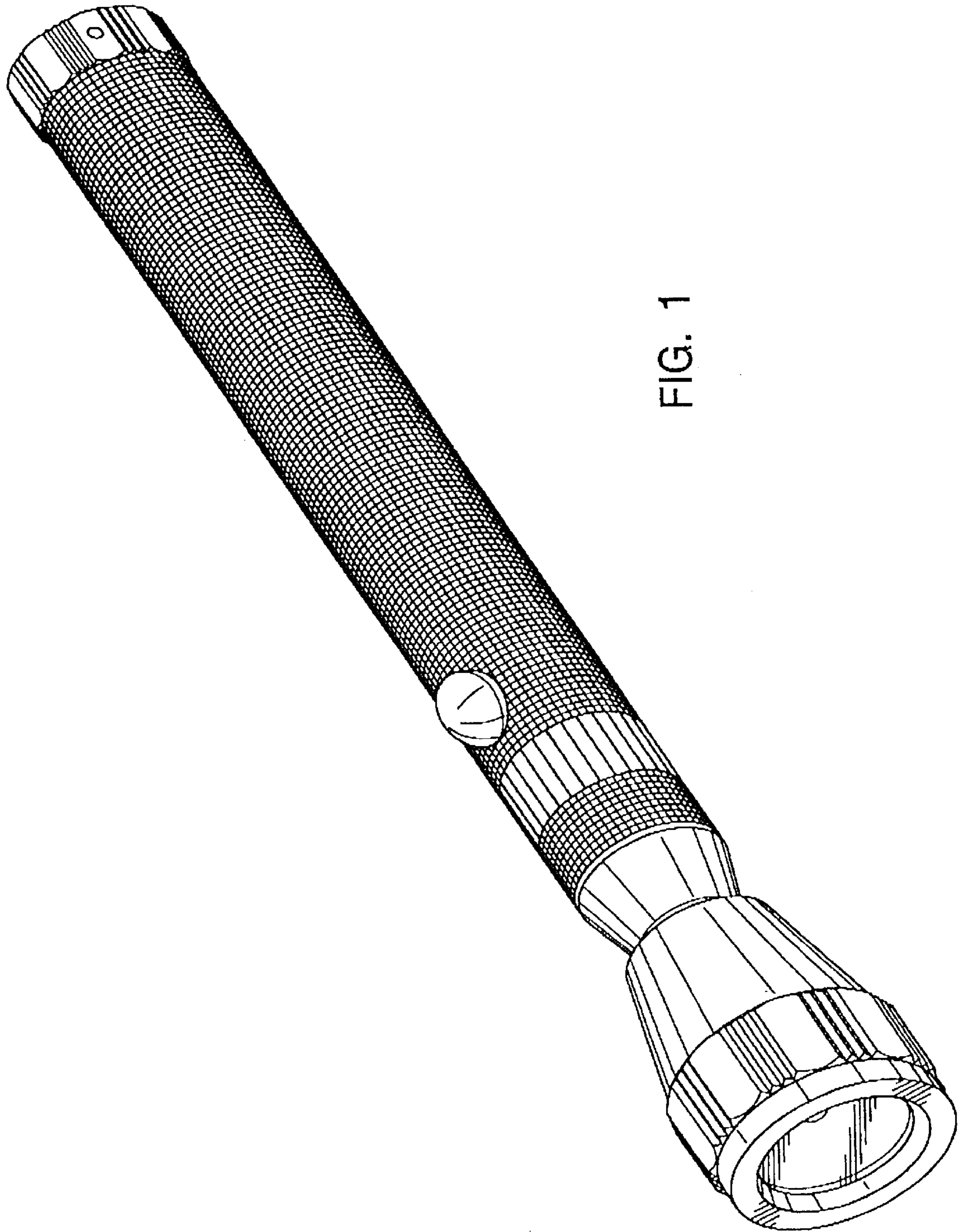


FIG. 1

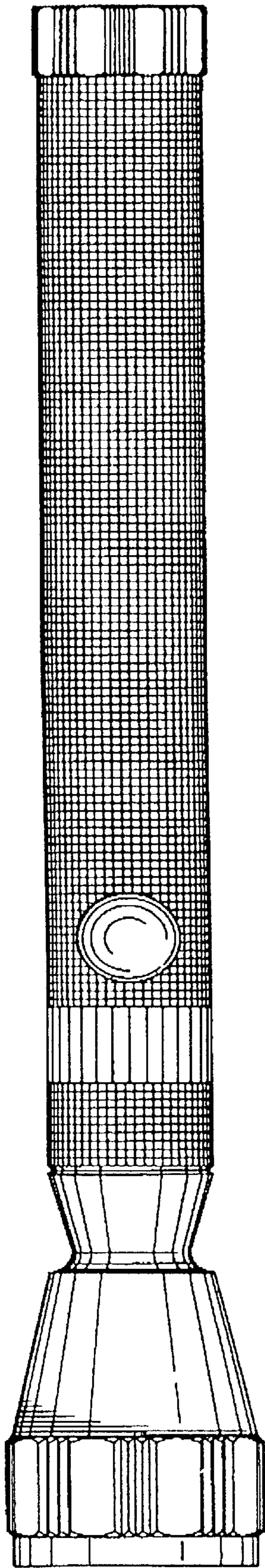


FIG. 2

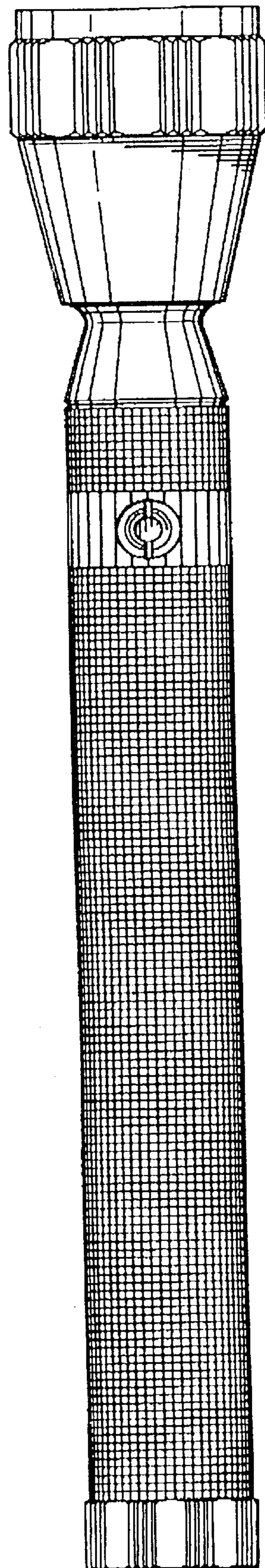


FIG. 3

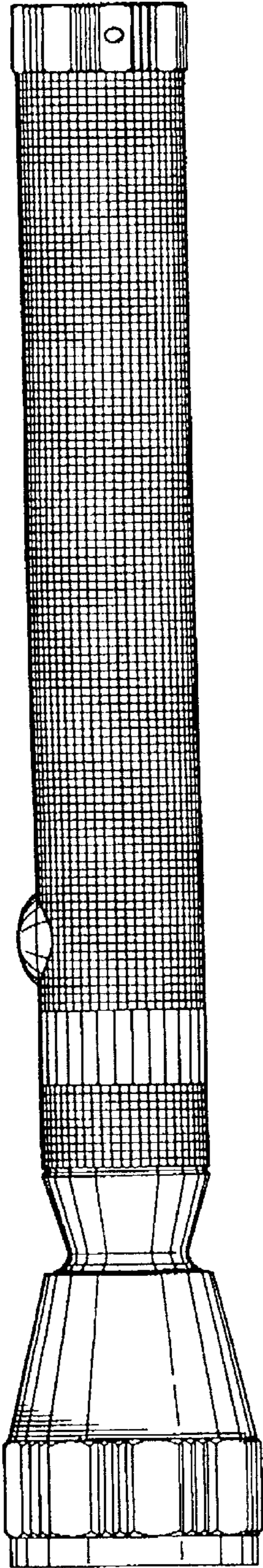


FIG. 4

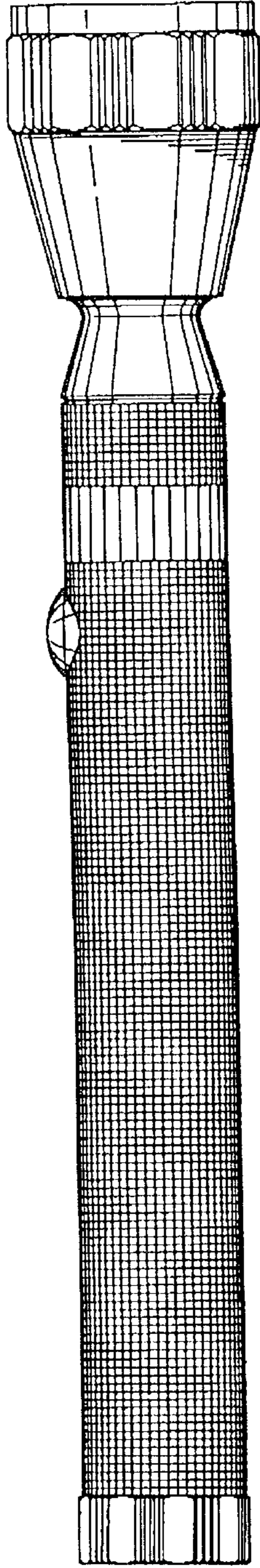


FIG. 5

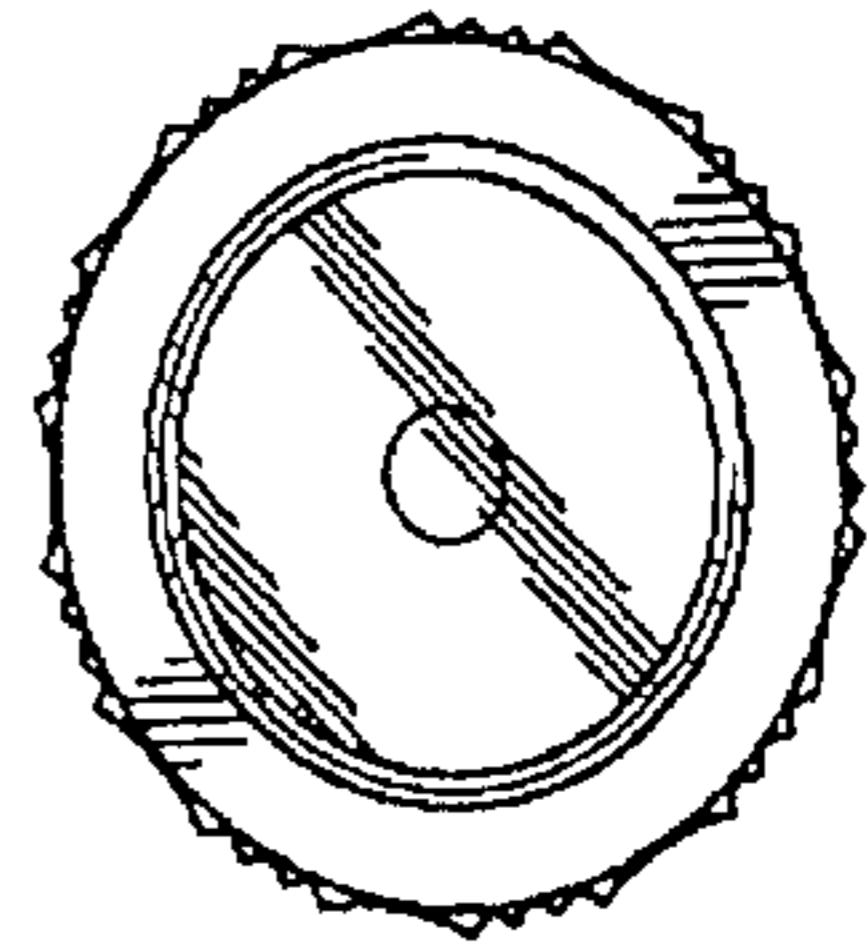


FIG. 6

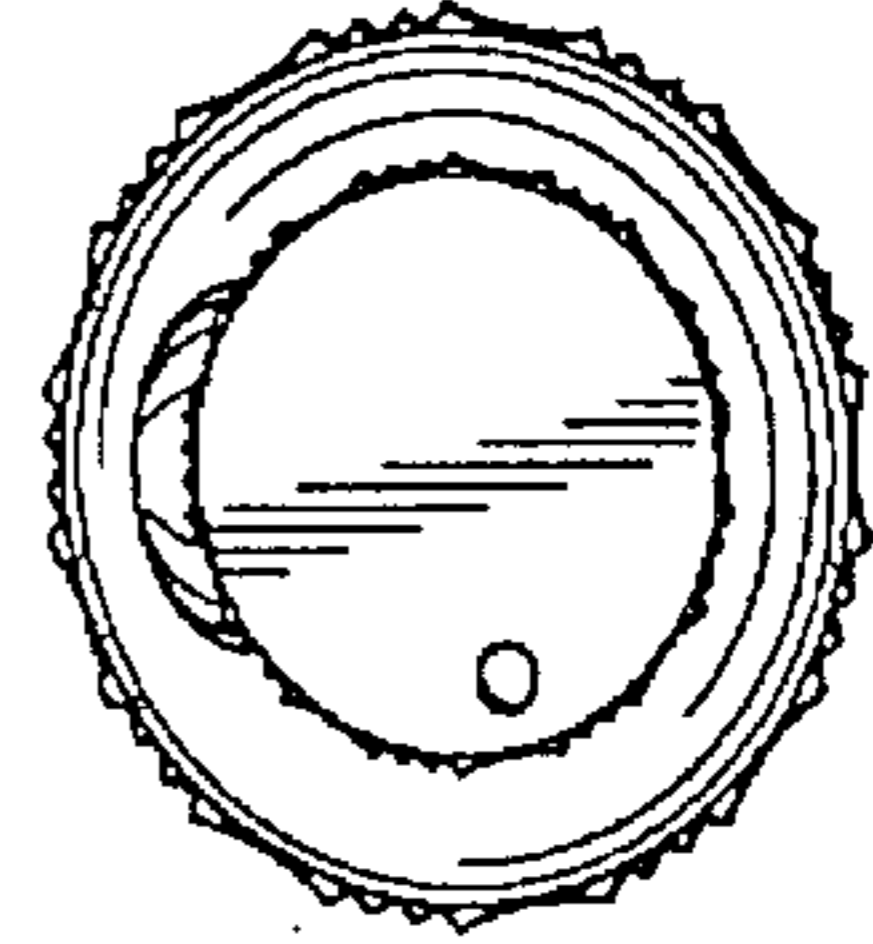


FIG. 7