



US00D418932S

# United States Patent [19] Yang

[11] **Patent Number: Des. 418,932**

[45] **Date of Patent: \*\* Jan. 11, 2000**

[54] **FLASHLIGHT**

D. 396,314 7/1998 Chiu ..... D26/49

[75] Inventor: **Man Ho Yang**, Shatin, China

*Primary Examiner*—Marcus A. Jackson  
*Attorney, Agent, or Firm*—Alix, Yale & Ristas, LLP

[73] Assignee: **Creative Technology Hong Kong Ltd.**,  
Shatin, The Hong Kong Special  
Administrative Region of the People's  
Republic of China

[57] **CLAIM**

The ornamental design for a flashlight, as shown and described.

[\*\*] Term: **14 Years**

**DESCRIPTION**

[21] Appl. No.: **29/101,751**

FIG. 1 is a perspective view of the flashlight showing my new design;

[22] Filed: **Mar. 10, 1999**

FIG. 2 is a top plan view of the flashlight of FIG. 1;

[51] **LOC (7) Cl.** ..... **26-02**

FIG. 3 is a bottom plan view of the flashlight of FIG. 1;

[52] **U.S. Cl.** ..... **D26/49**

FIG. 4 is a right side view of the flashlight of FIG. 1;

[58] **Field of Search** ..... D26/37-50; 362/171,  
362/173, 157, 158, 181, 183-208

FIG. 5 is a left side view of the flashlight of FIG. 1;

FIG. 6 is a front view of the flashlight of FIG. 1; and,

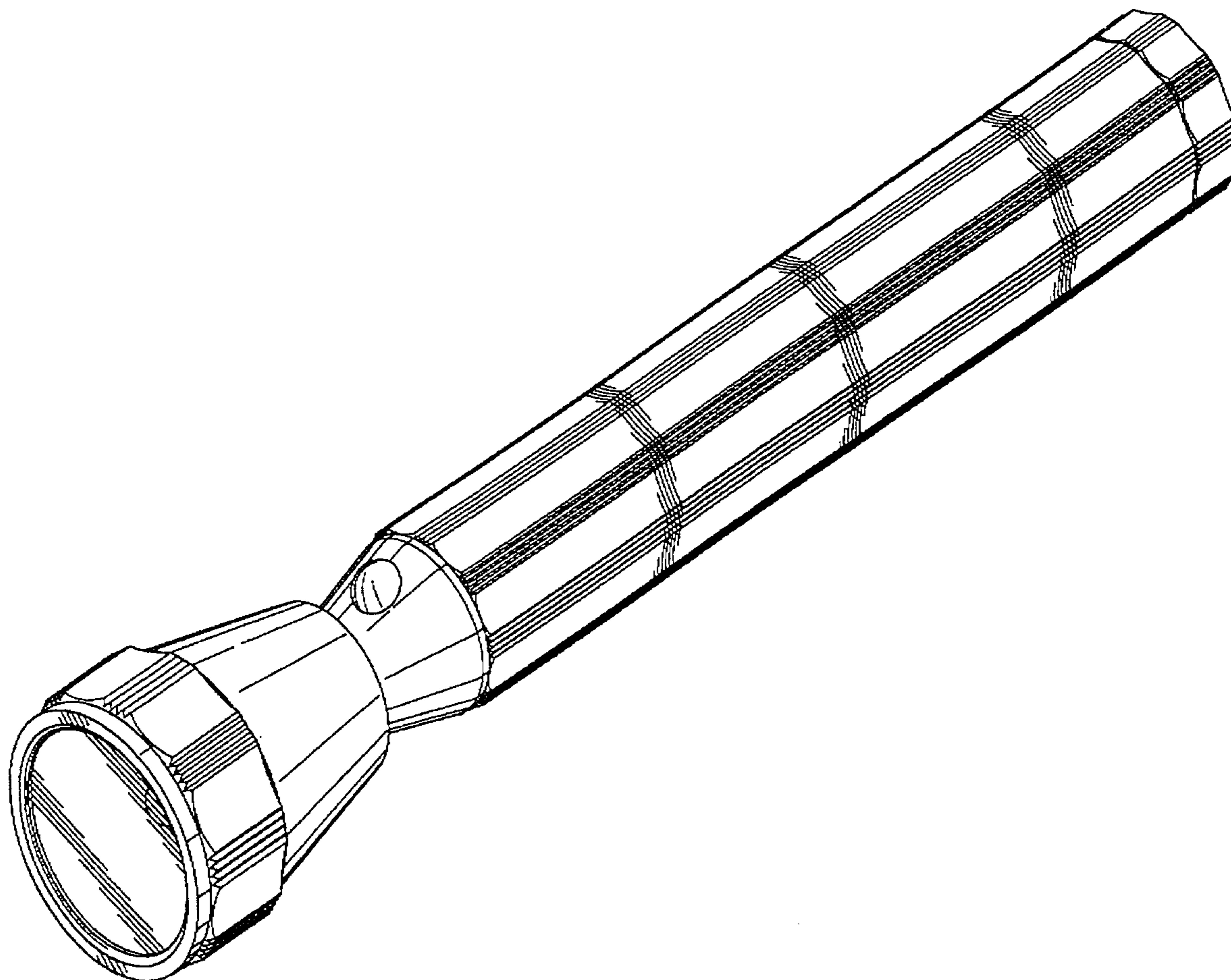
FIG. 7 is a rear view of the flashlight of FIG. 1.

[56] **References Cited**

**U.S. PATENT DOCUMENTS**

D. 394,321 5/1998 Chiu ..... D26/49

**1 Claim, 3 Drawing Sheets**



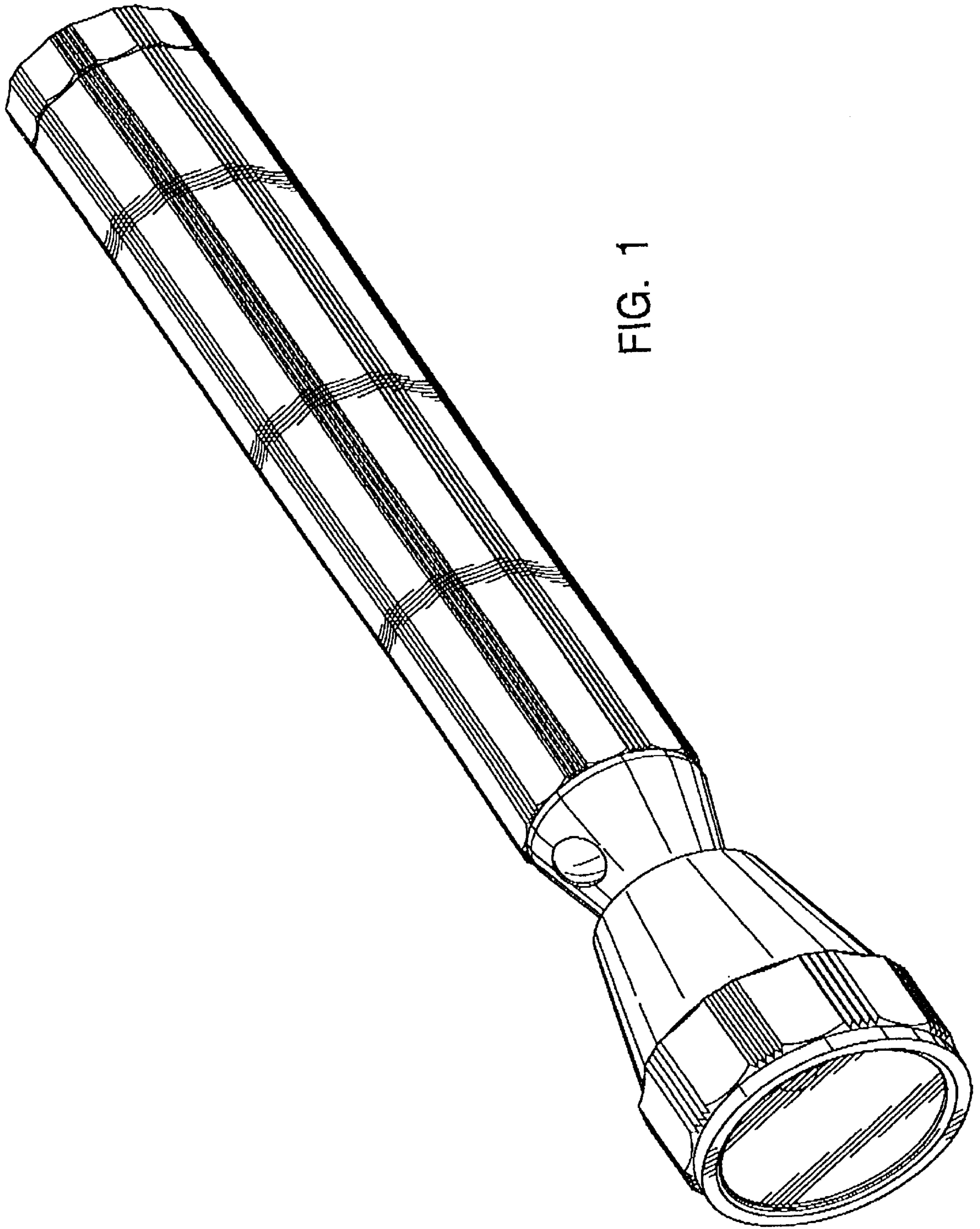


FIG. 1

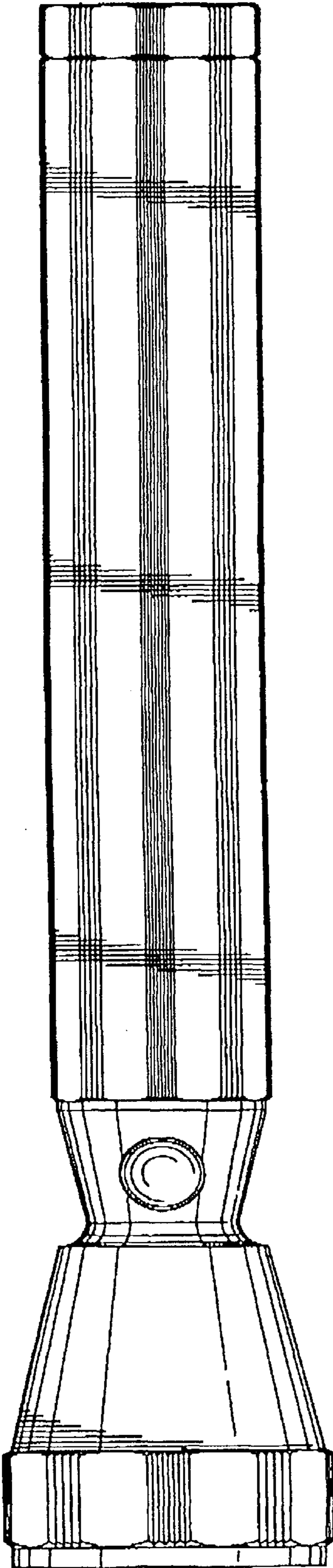


FIG. 2

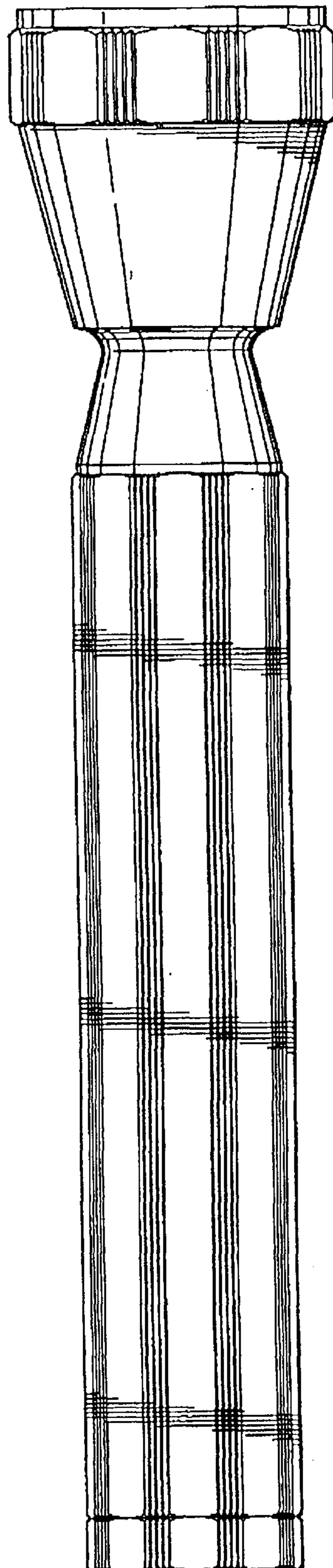


FIG. 3

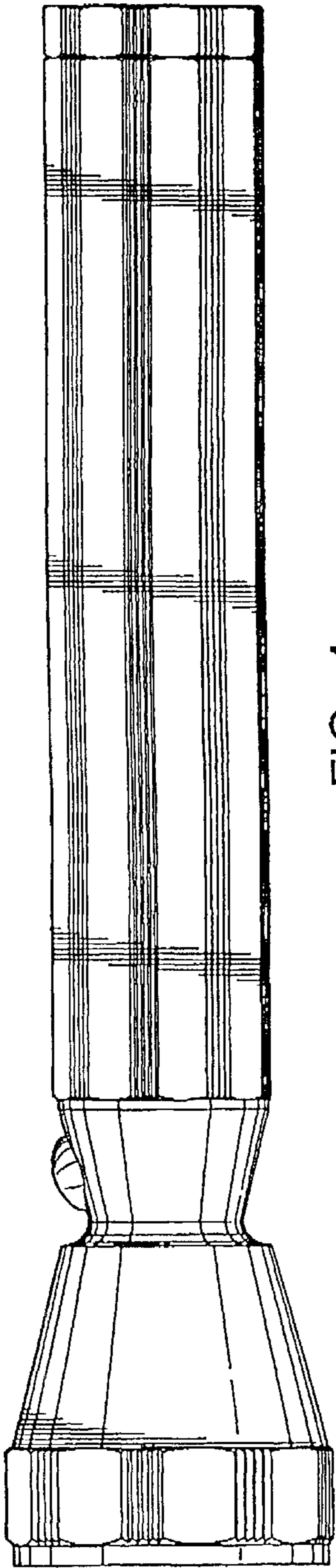


FIG. 4

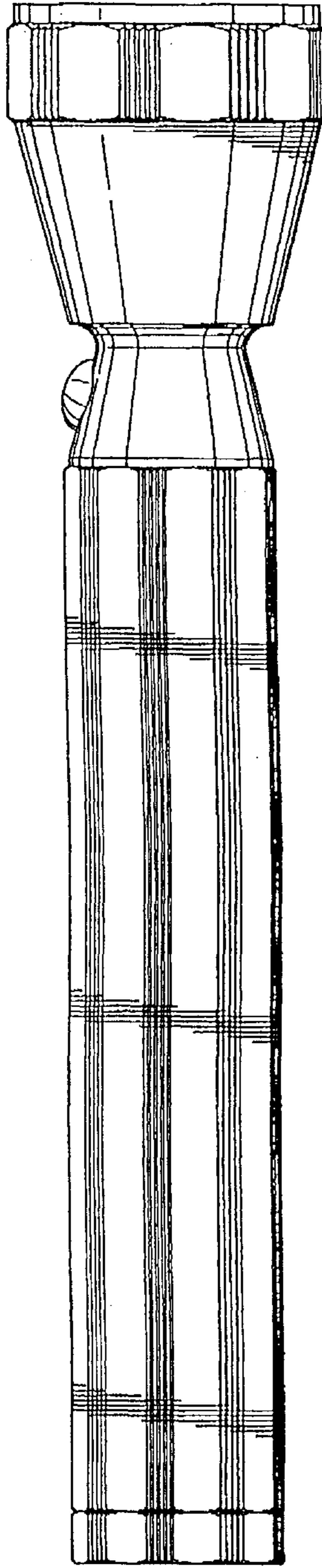


FIG. 5

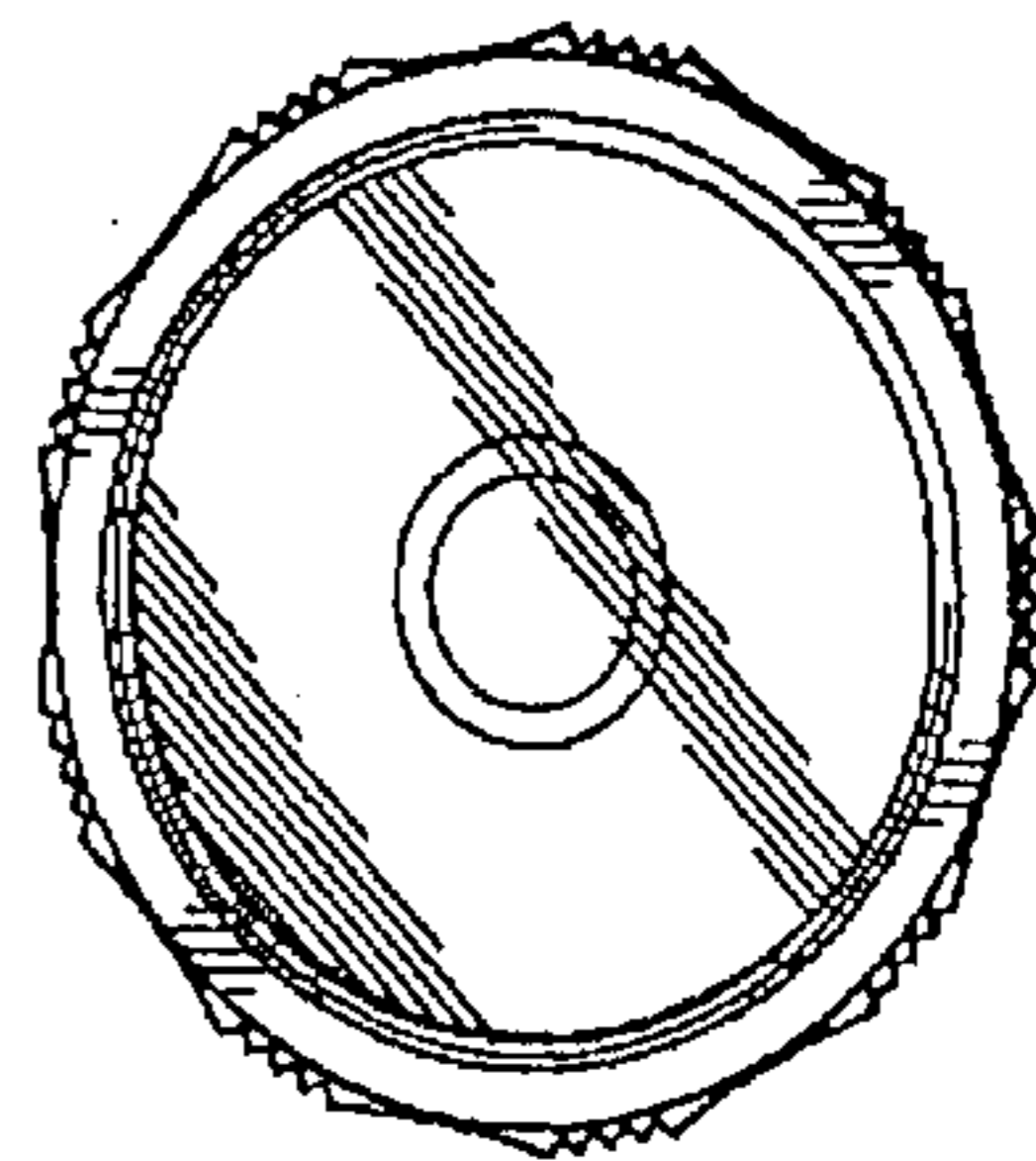


FIG. 6

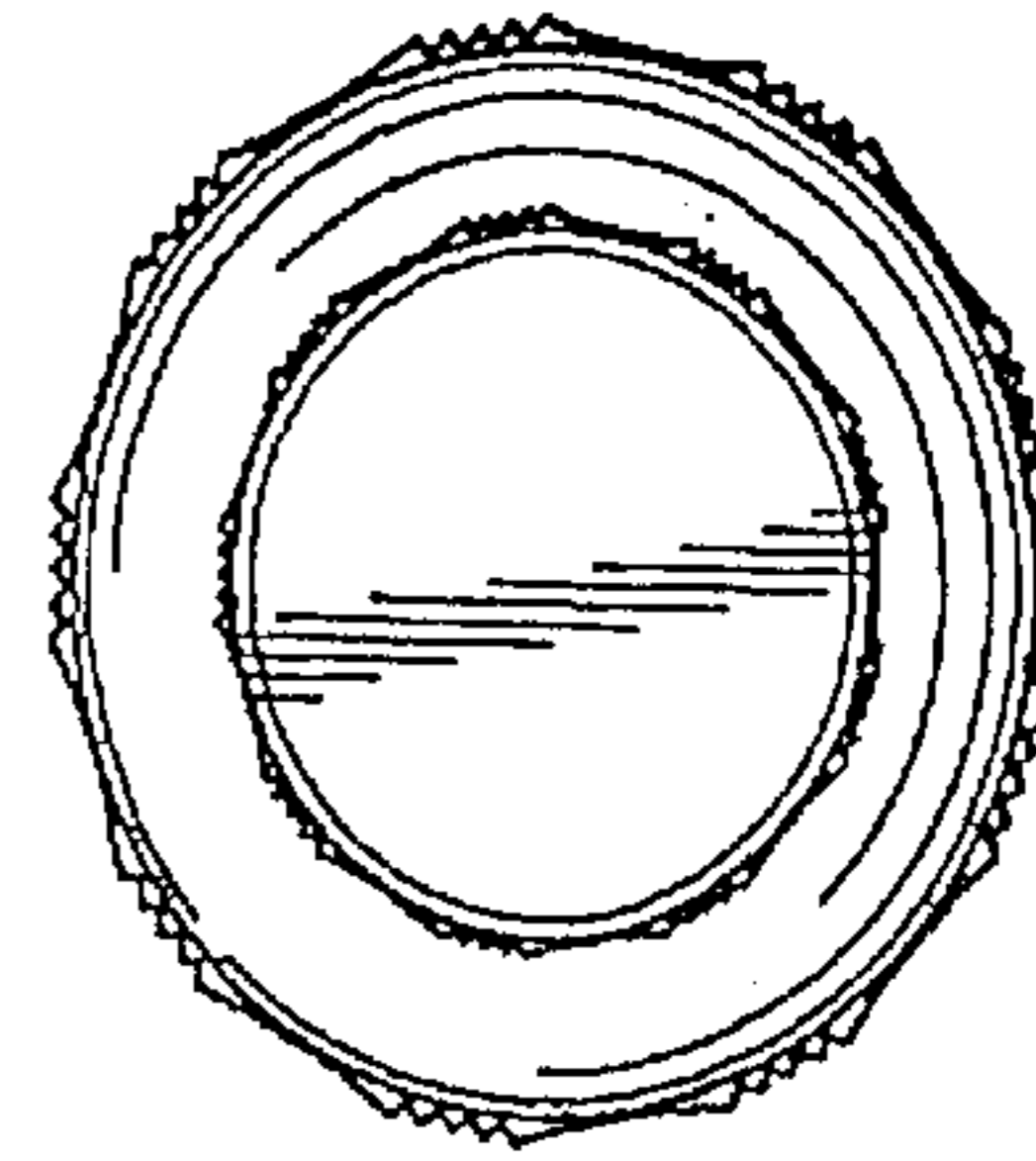


FIG. 7