



US00D418931S

United States Patent [19] Poon

[11] **Patent Number: Des. 418,931**

[45] **Date of Patent: ** Jan. 11, 2000**

[54] **FLASHLIGHT**

[75] **Inventor: Tit Wing Poon**, Shatin, The Hong Kong Special Administrative Region of the People's Republic of China

[73] **Assignee: Flying Dragon Development Ltd.**, Shatin, The Hong Kong Special Administrative Region of the People's Republic of China

[**] **Term: 14 Years**

[21] **Appl. No.: 29/104,405**

[22] **Filed: May 4, 1999**

[51] **LOC (7) Cl. 26-02**

[52] **U.S. Cl. D26/48**

[58] **Field of Search** D26/37-50; 362/157, 362/158, 183-191, 194, 205

[56] **References Cited**

U.S. PATENT DOCUMENTS

D. 359,814 6/1995 Yuen D26/48

D. 360,043 7/1995 Inukai D26/48
D. 376,863 12/1996 Yuen D26/48
D. 389,594 1/1998 Poon D26/48
D. 394,322 5/1998 Dalton et al. D26/48
D. 403,454 12/1998 Zelina, Jr. et al. D26/48

Primary Examiner—Marcus A. Jackson
Attorney, Agent, or Firm—Alix, Yale & Ristas, LLP

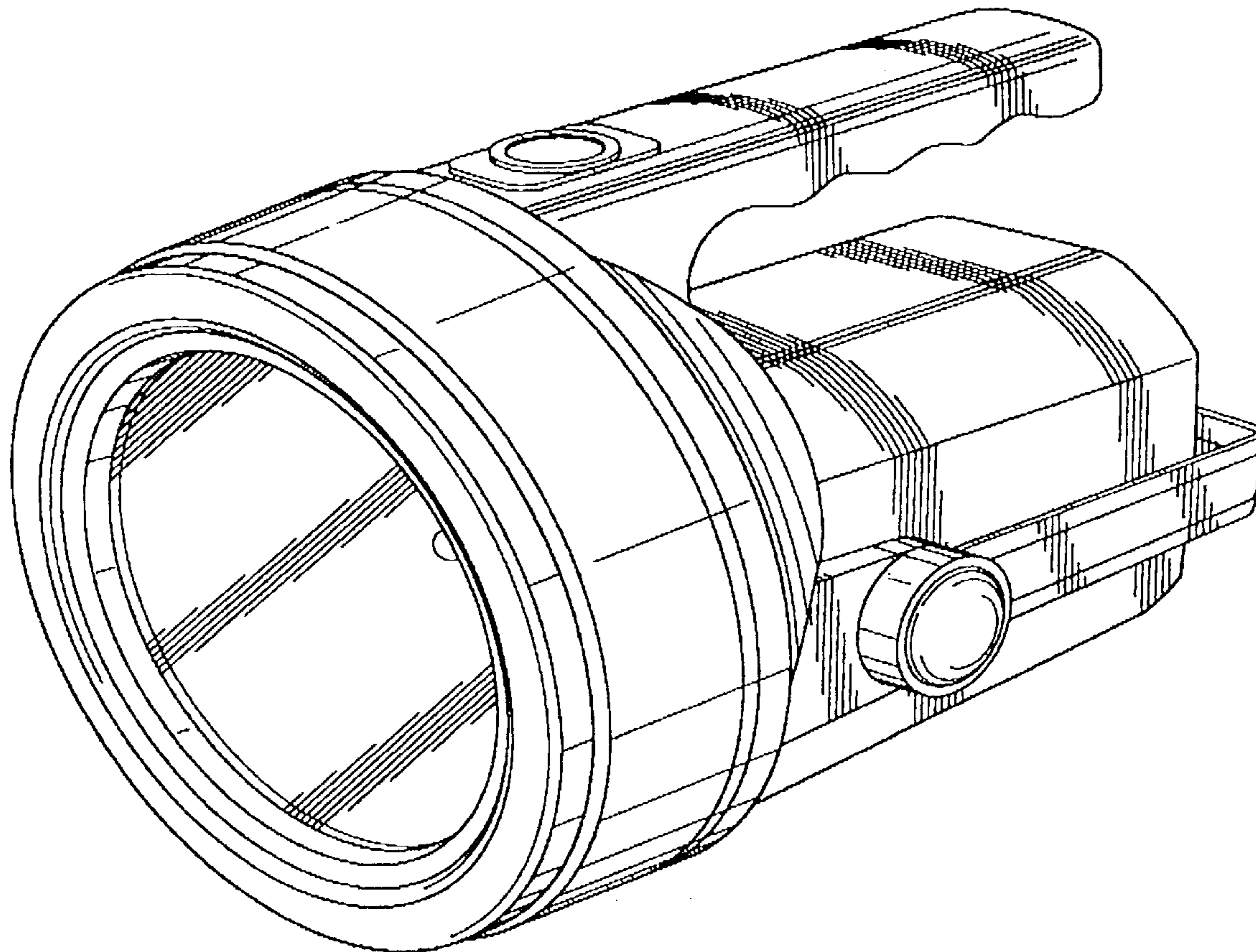
[57] **CLAIM**

The ornamental design for a flashlight, as shown and described.

DESCRIPTION

FIG. 1 is a frontal perspective view of the flashlight showing my new design;
FIG. 2 is a frontal perspective view of the flashlight of FIG. 1 wherein portions are arranged in an alternative position;
FIG. 3 is a front view of the flashlight of FIG. 1;
FIG. 4 is a rear view of the flashlight of FIG. 1;
FIG. 5 is a top plan view of the flashlight of FIG. 1;
FIG. 6 is a bottom plan view of the flashlight of FIG. 1;
FIG. 7 is a right side view of the flashlight of FIG. 1; and,
FIG. 8 is a left side view of the flashlight of FIG. 1.

1 Claim, 5 Drawing Sheets



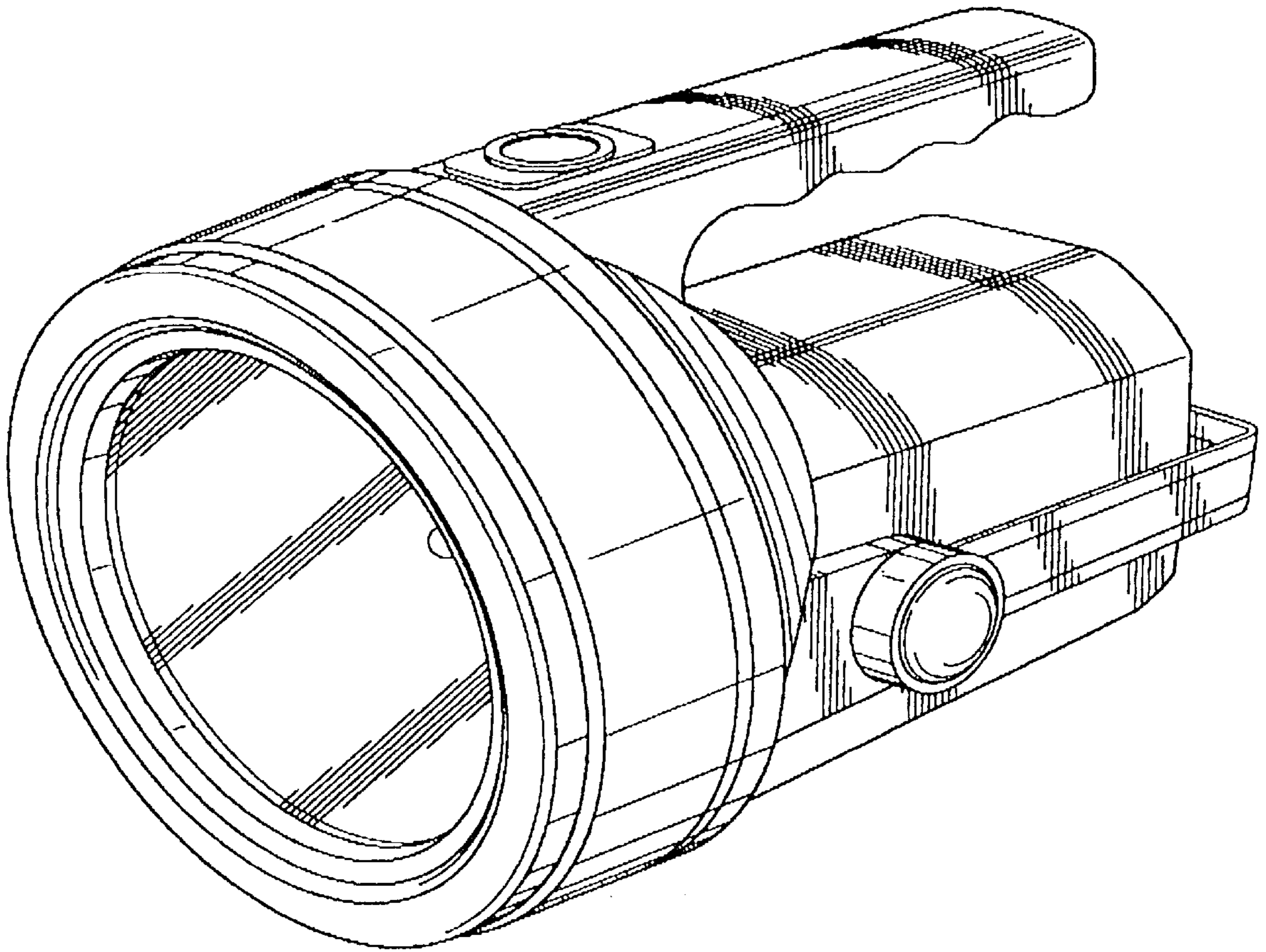


FIG. 1

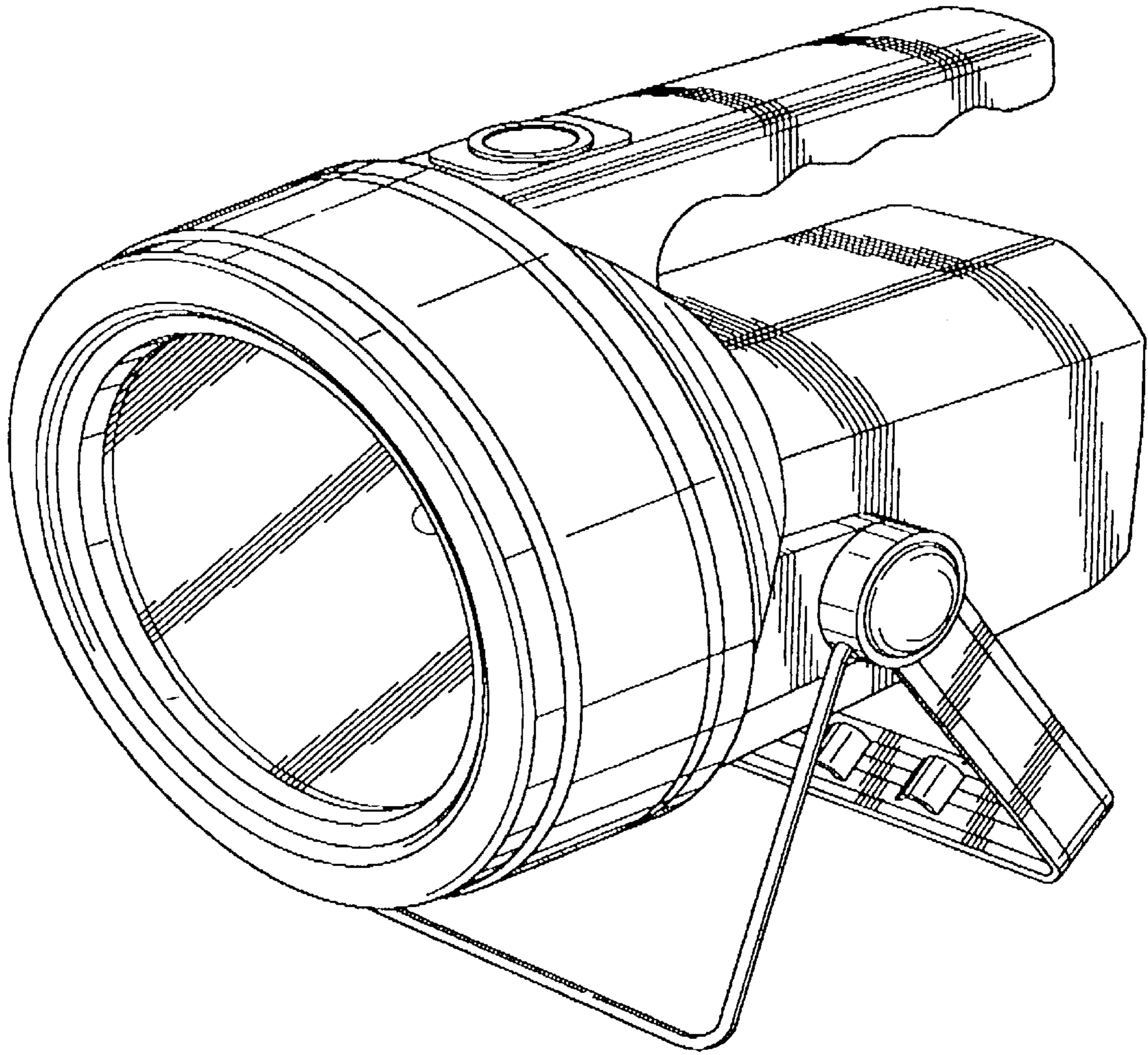


FIG. 2

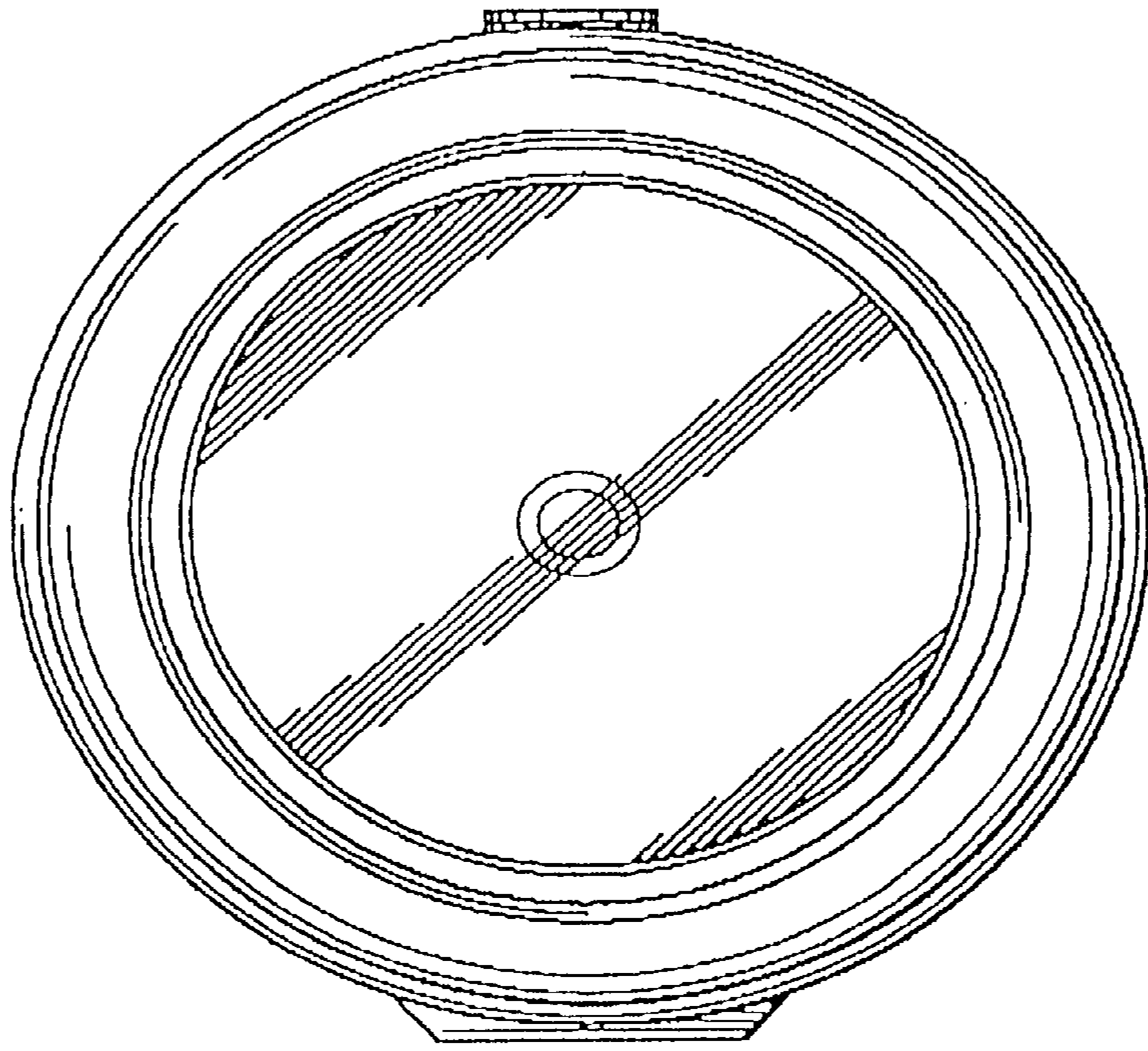


FIG. 3

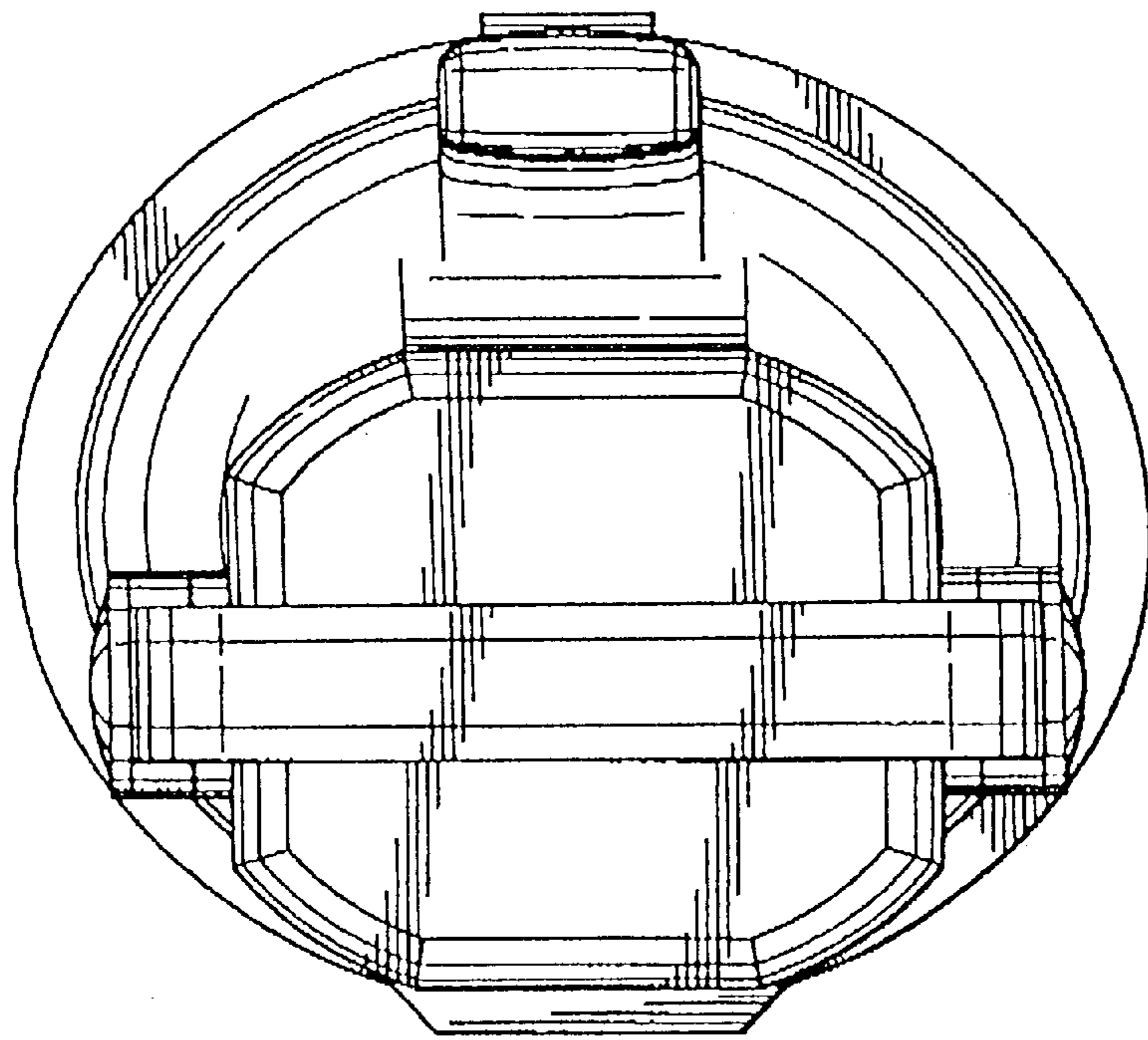


FIG. 4

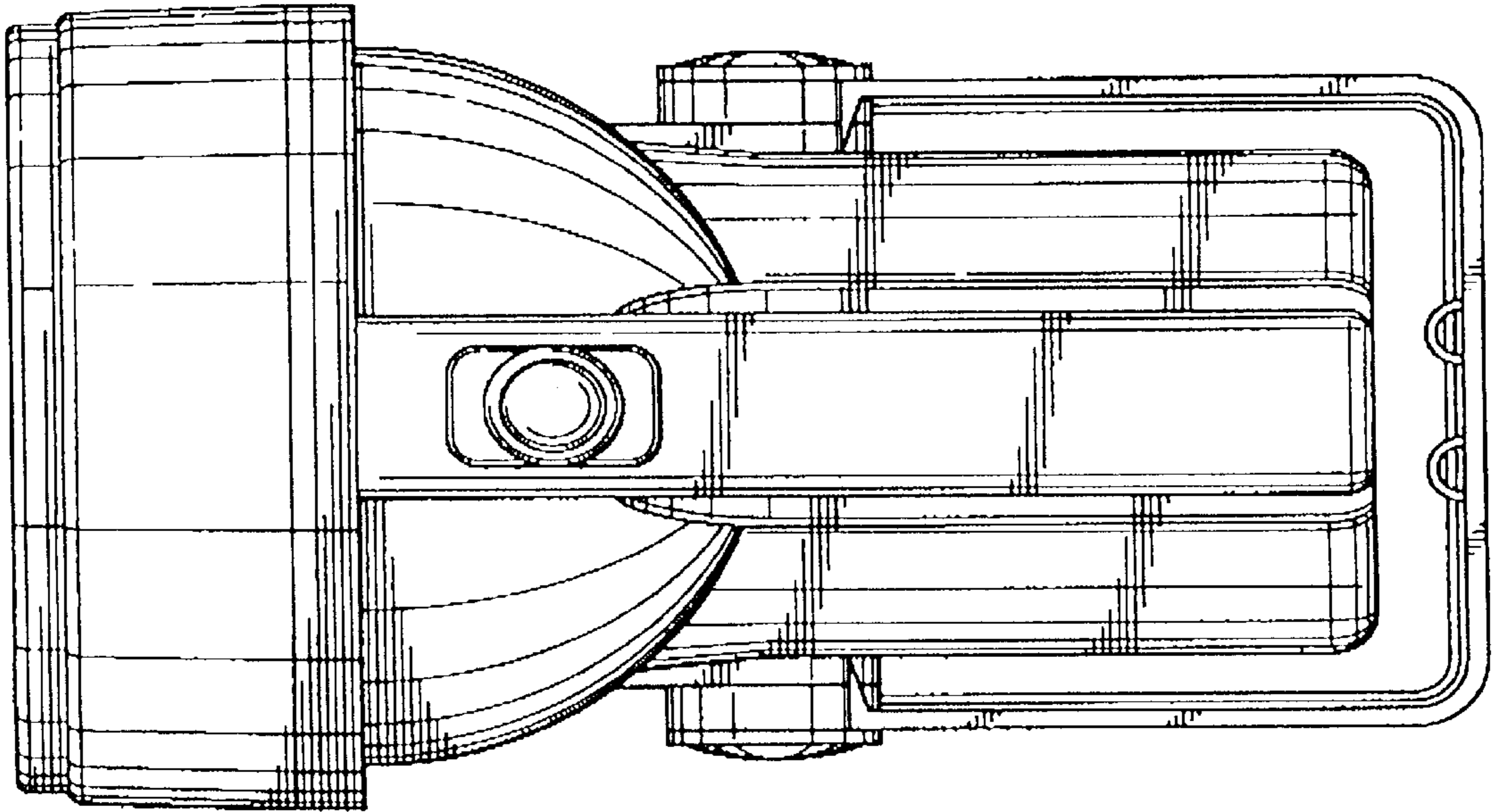


FIG. 5

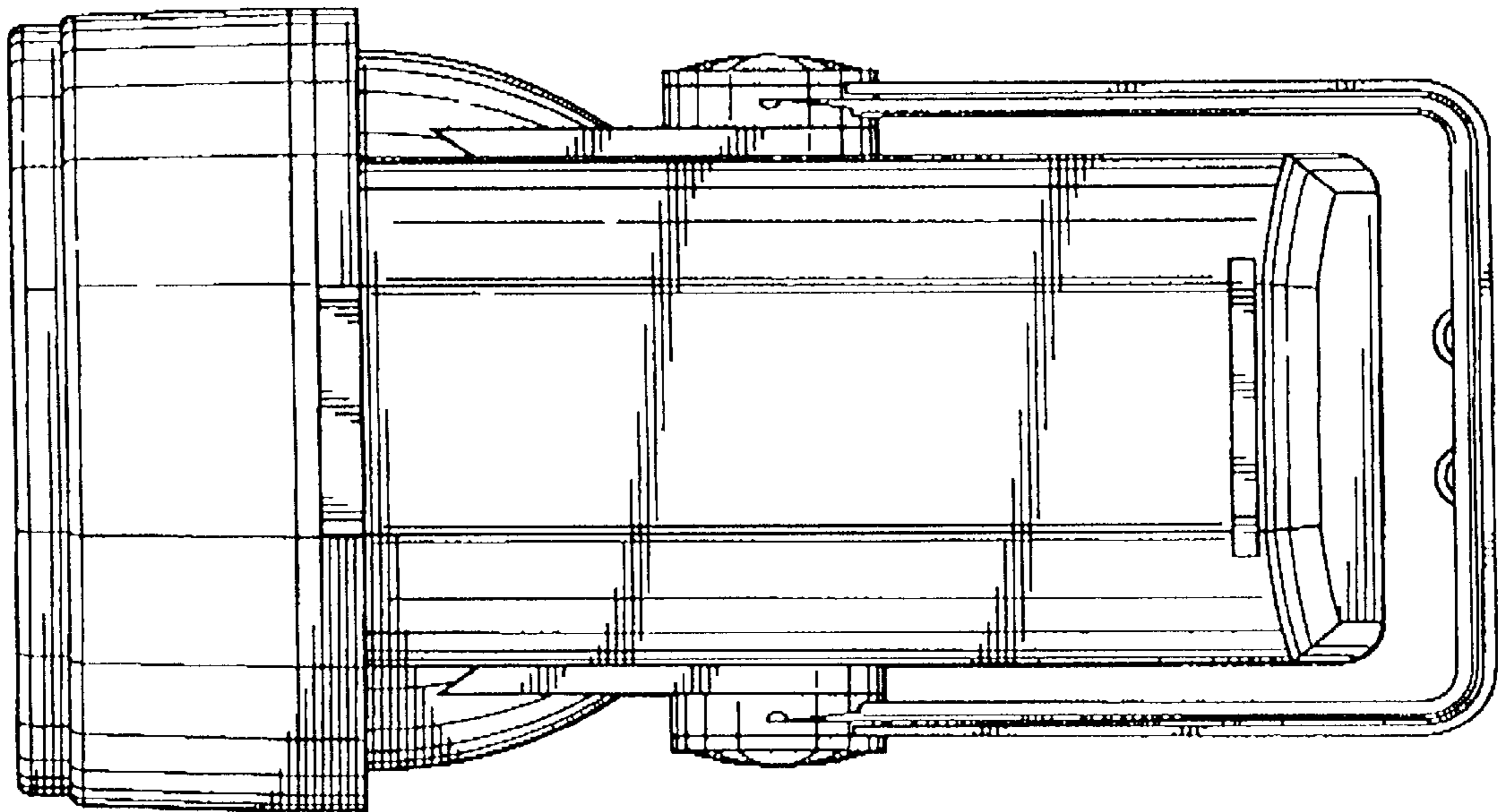


FIG. 6

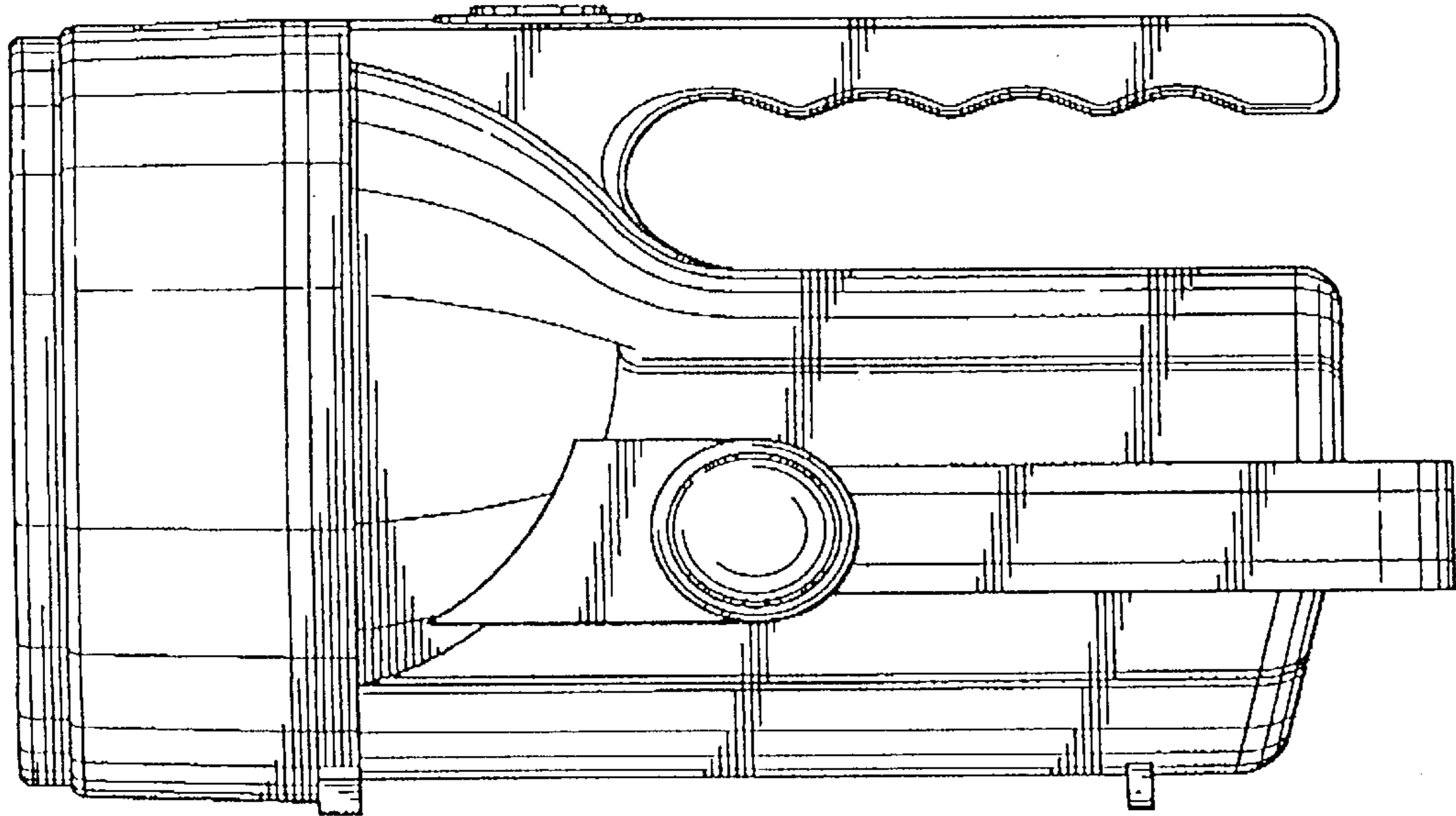


FIG. 7

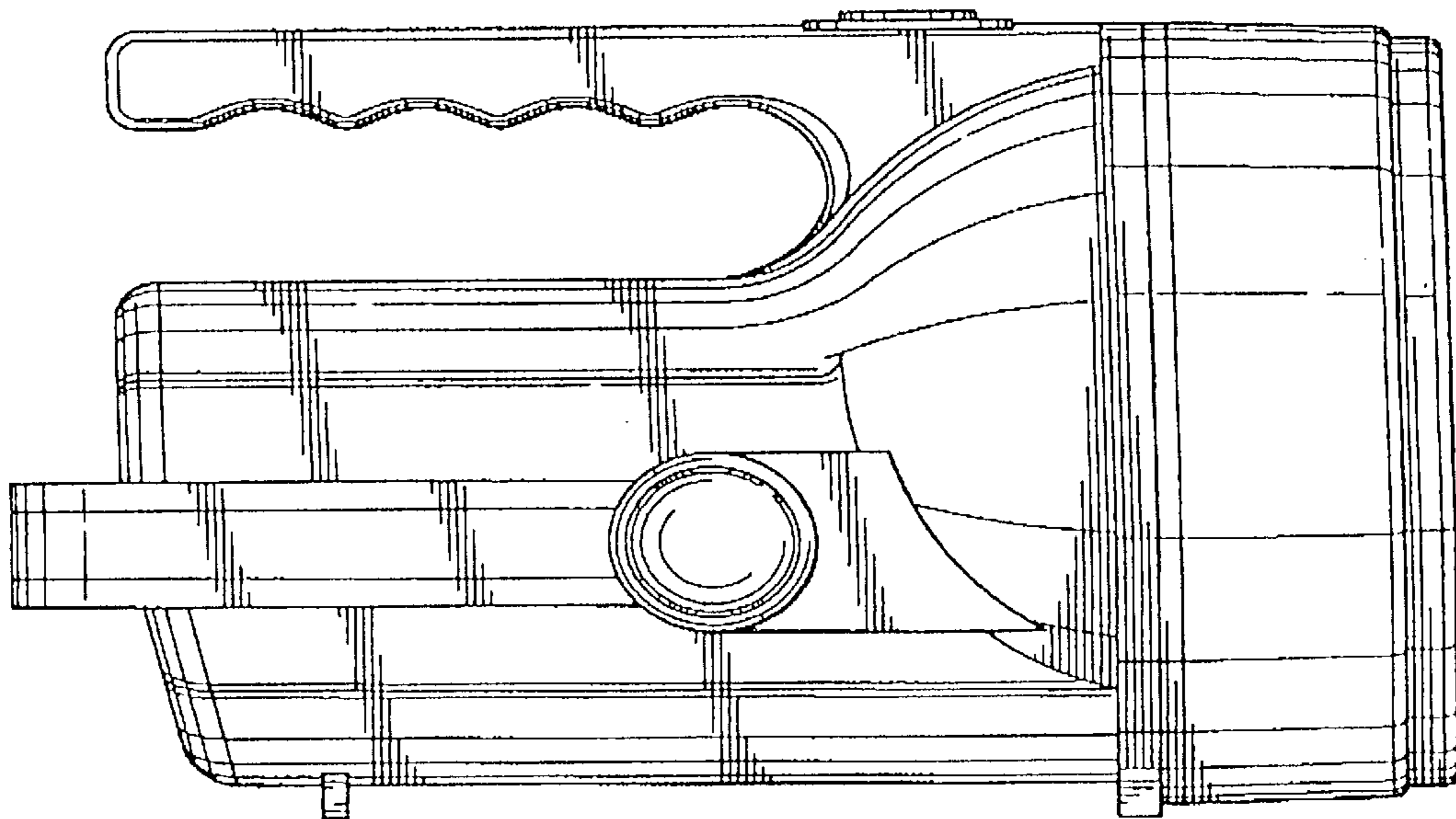


FIG. 8