



US00D418928S

# United States Patent [19]

Zhang et al.

[11] Patent Number: Des. 418,928

[45] Date of Patent: \*\* Jan. 11, 2000

[54] BASE FOR LED LIGHT BULB

D. 405,201 2/1999 Zodhie ..... D26/2

[75] Inventors: Zhou Kui Zhang; Zhang Qi Xiang,  
both of Shanghai, China

Primary Examiner—Marcus A. Jackson  
Attorney, Agent, or Firm—Watts, Hoffmann, Fisher &  
Heinke, Co., L.P.A.

[73] Assignees: Mule Lighting, Inc., Providence, R.I.;  
Shanghai Baoshan Import & Export  
Trade Corp., Ltd., Shanghai, China

### [57] CLAIM

[\*\*] Term: 14 Years

We claim the ornamental design for a base for LED light bulb, as shown and described.

[21] Appl. No.: 29/106,764

### DESCRIPTION

[22] Filed: Jun. 22, 1999

FIG. 1 is a perspective view of a base for LED light bulb showing our new design;

[51] LOC (7) Cl. .... 26-04

FIG. 2 is a right side elevational view thereof;

[52] U.S. Cl. .... D26/2

FIG. 3 is a top plan view thereof; and,

[58] Field of Search ..... D26/1, 2, 3, 26;  
313/315, 317, 318, 493; 315/56, 57, 58

FIG. 4 is a bottom plan view thereof.

### [56] References Cited

The left side of the illustrated base for LED light bulb is not shown because it is a mirror image of the right side shown in FIG. 2.

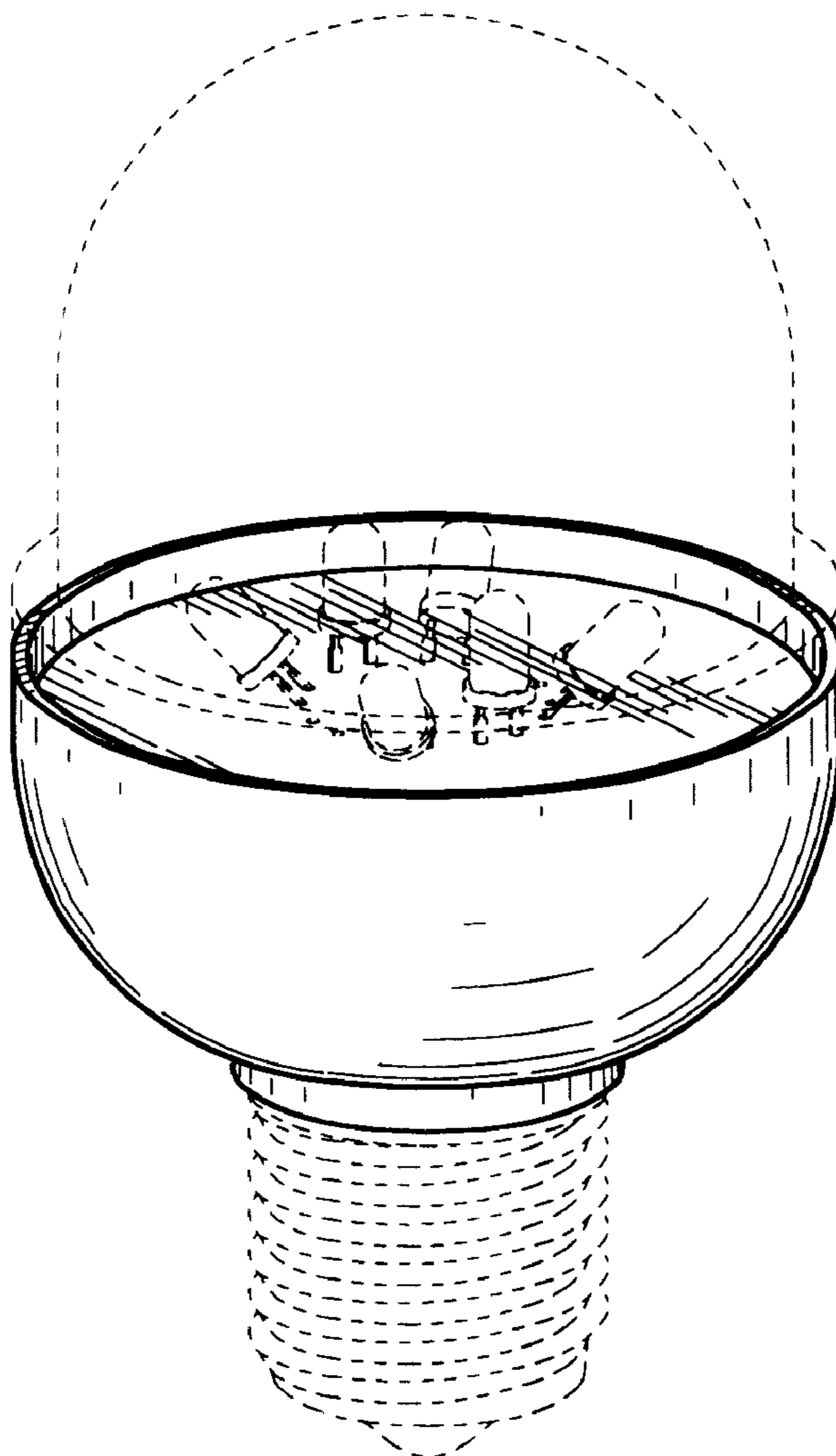
#### U.S. PATENT DOCUMENTS

Any broken line illustration in the drawing disclosure is not part of the design sought to be patented.

D. 262,405 12/1981 Zabeansky ..... D26/2

D. 302,860 8/1989 Anema ..... D26/2

1 Claim, 1 Drawing Sheet



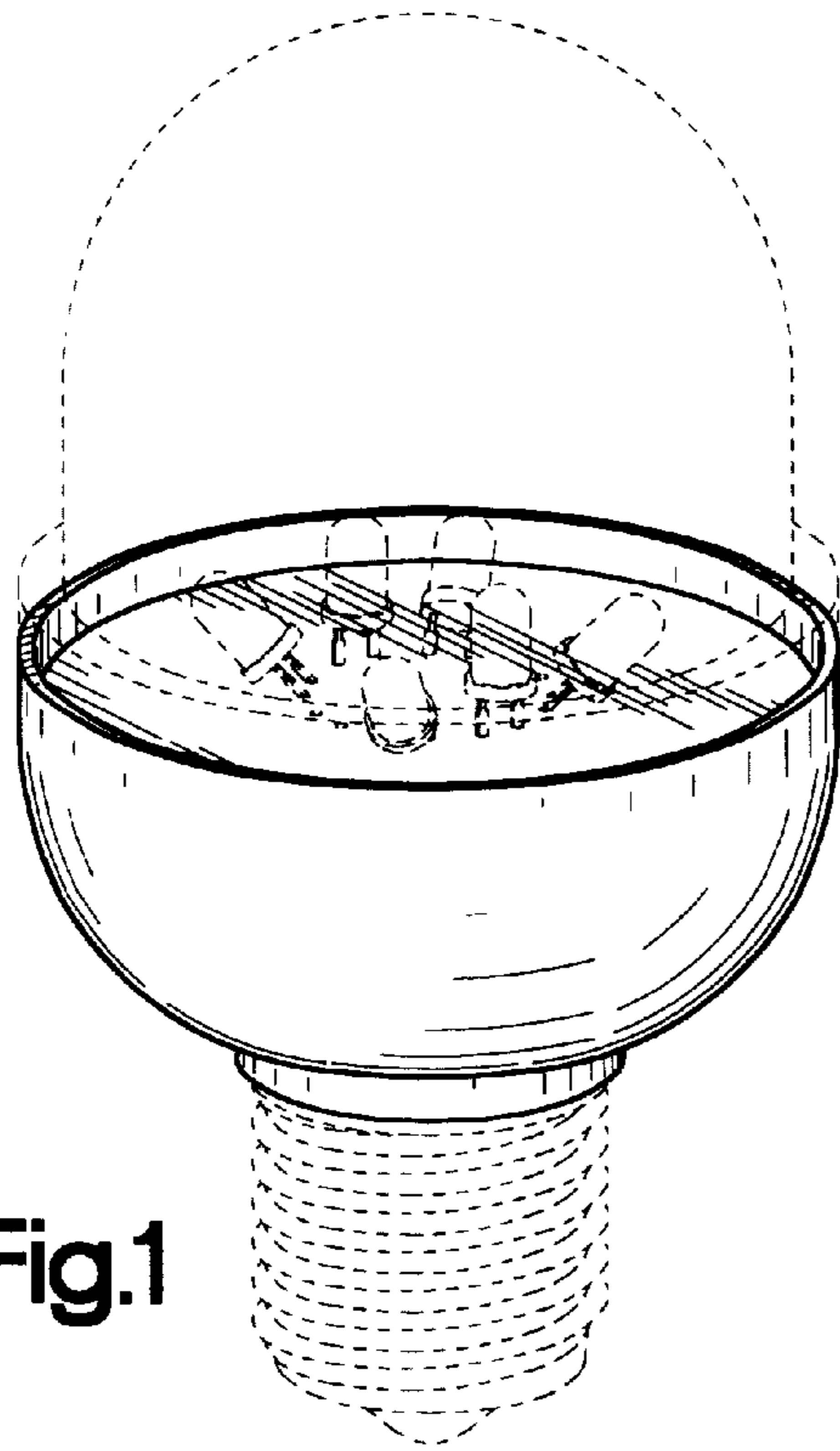


Fig.1

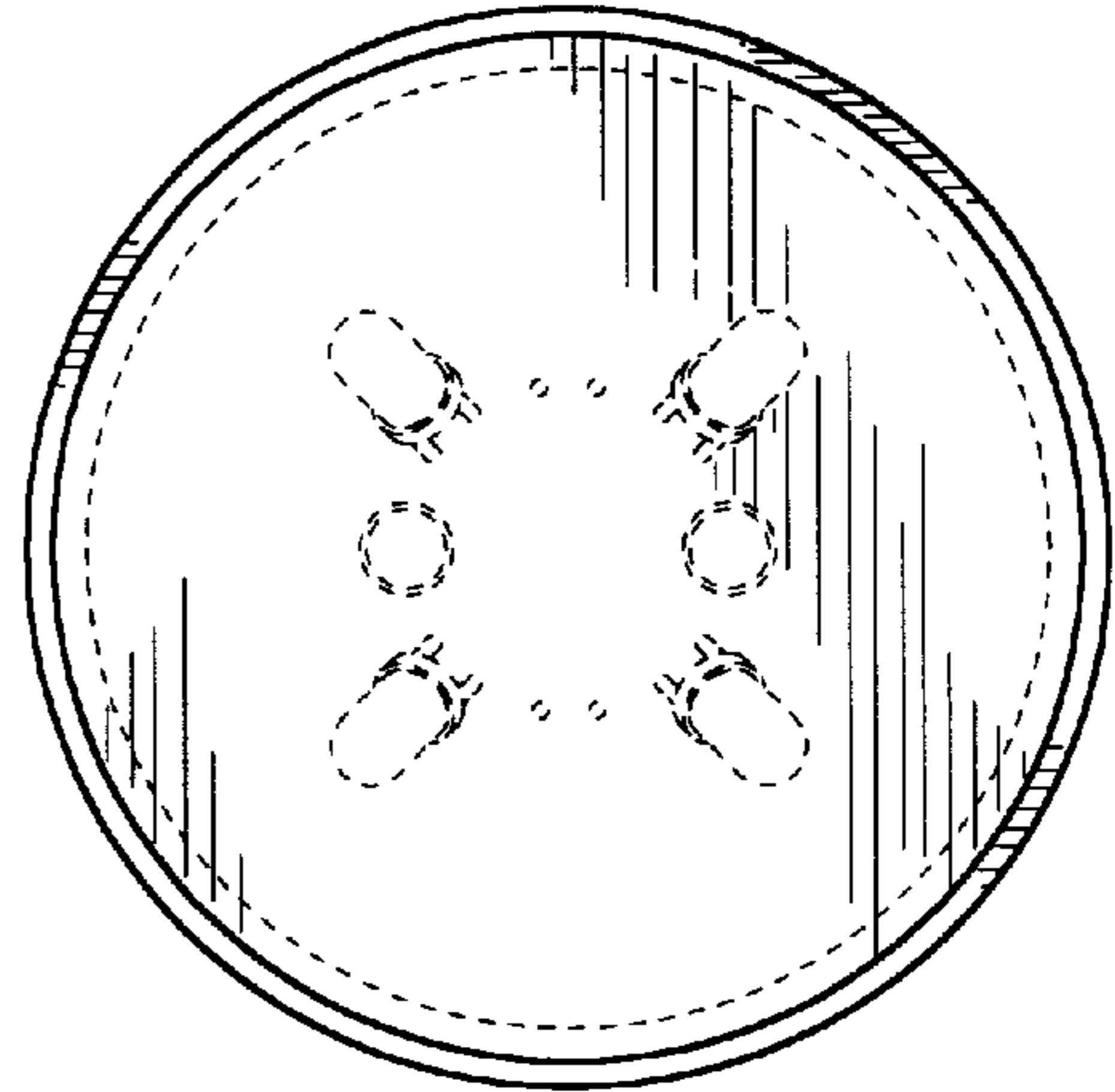


Fig.3

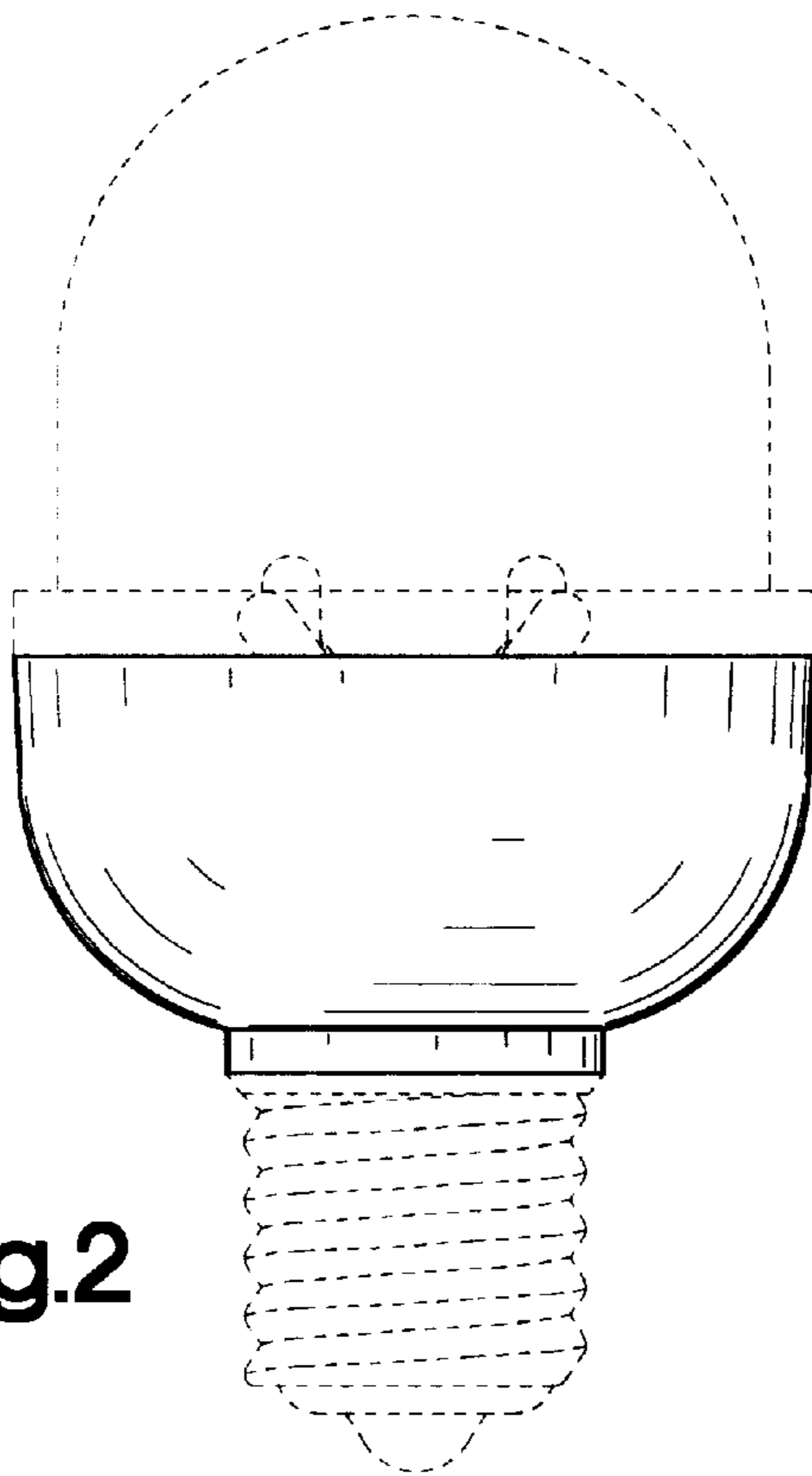


Fig.2

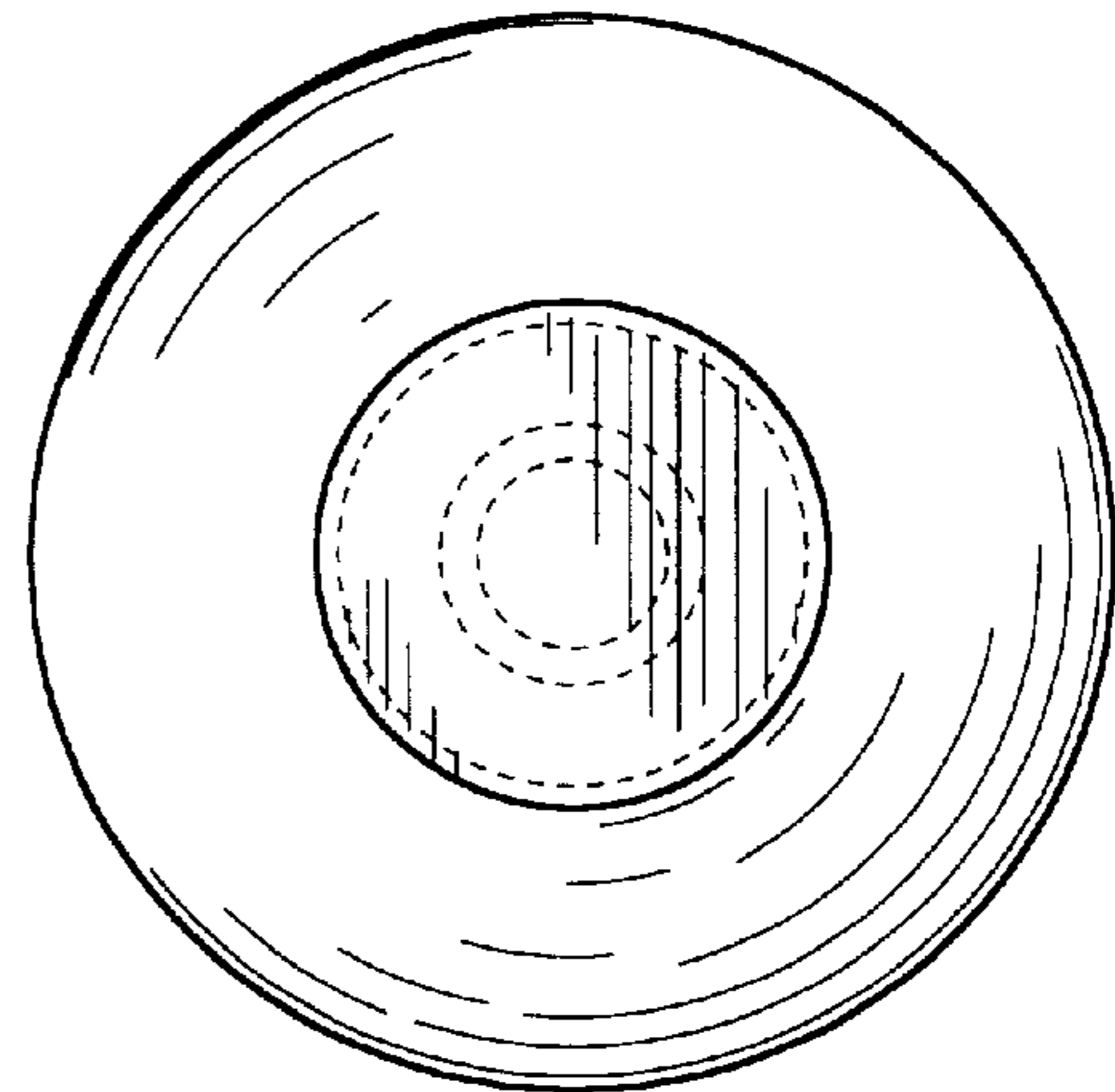


Fig.4