



US00D418927S

United States Patent [19]
Levesque

[11] **Patent Number: Des. 418,927**

[45] **Date of Patent: ** Jan. 11, 2000**

[54] **ARCHITECTURAL PANEL**

[76] **Inventor: Real Levesque**, 17 Saddle Creek Court,
Brampton, Ontario, Canada, L6Y 4V6

[**] **Term: 14 Years**

[21] **Appl. No.: 29/103,722**

[22] **Filed: Apr. 21, 1999**

[51] **LOC (7) Cl. 25-01**

[52] **U.S. Cl. D25/138**

[58] **Field of Search** 52/415, 474, 476,
52/481.2, 770; D25/138, 58

[56] **References Cited**

U.S. PATENT DOCUMENTS

D. 96,836 9/1935 Hormes D25/138
4,123,879 11/1978 Blodee et al. 52/476

Primary Examiner—Doris Clark

Attorney, Agent, or Firm—Riches, McKenzie & Herbert

[57] **CLAIM**

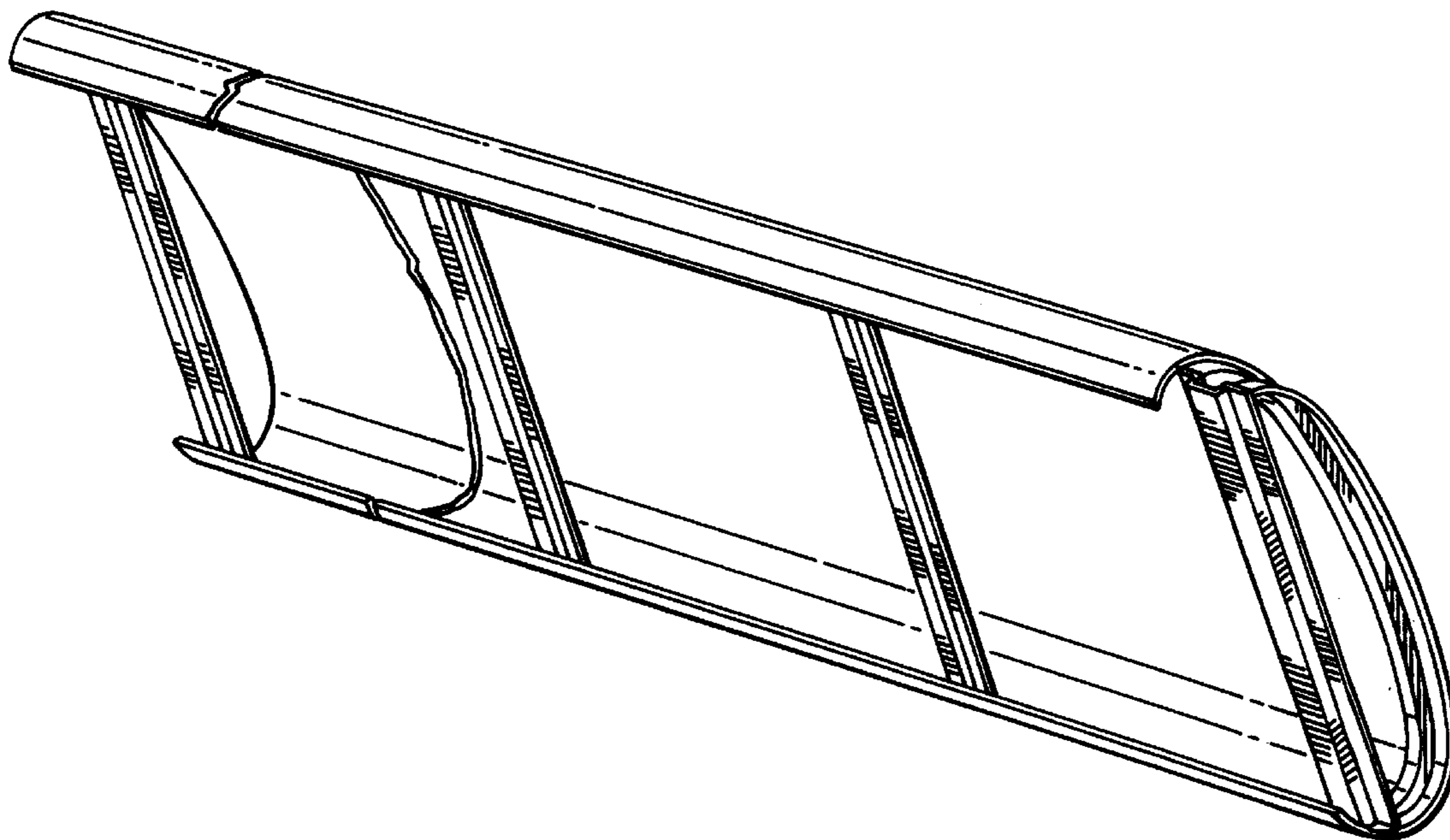
I claim the ornamental design for an architectural panel, as shown and described.

DESCRIPTION

FIG. 1 is a top, rear and end view of a first embodiment of an architectural panel showing my new design;
FIG. 2 is a top, front and opposite end view of my architectural panel;
FIG. 3 is an end elevational view showing my design;
FIG. 4 is a front elevational view showing my design;
FIG. 5 is a top plan view showing my design;
FIG. 6 is a rear elevational view showing my design;
FIG. 7 is a bottom plan view thereof; and,
FIG. 8 shows a top rear end elevational view of a second embodiment of an architectural panel showing my new design the front being the same as the front of the article in FIG. 2.

The architectural panel has been broken to indicate indefinite length.

1 Claim, 4 Drawing Sheets



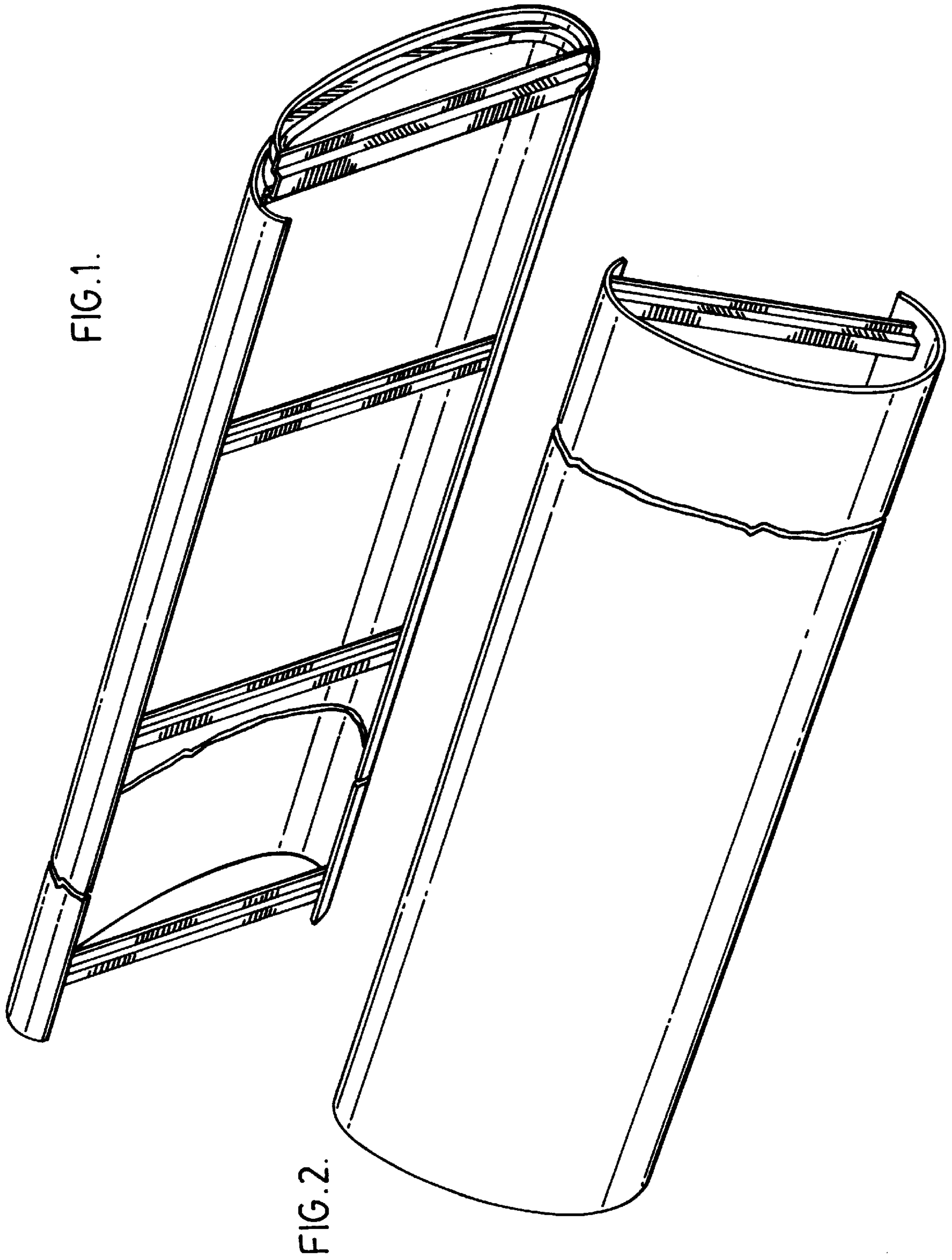


FIG.1.

FIG.2.

FIG. 4.

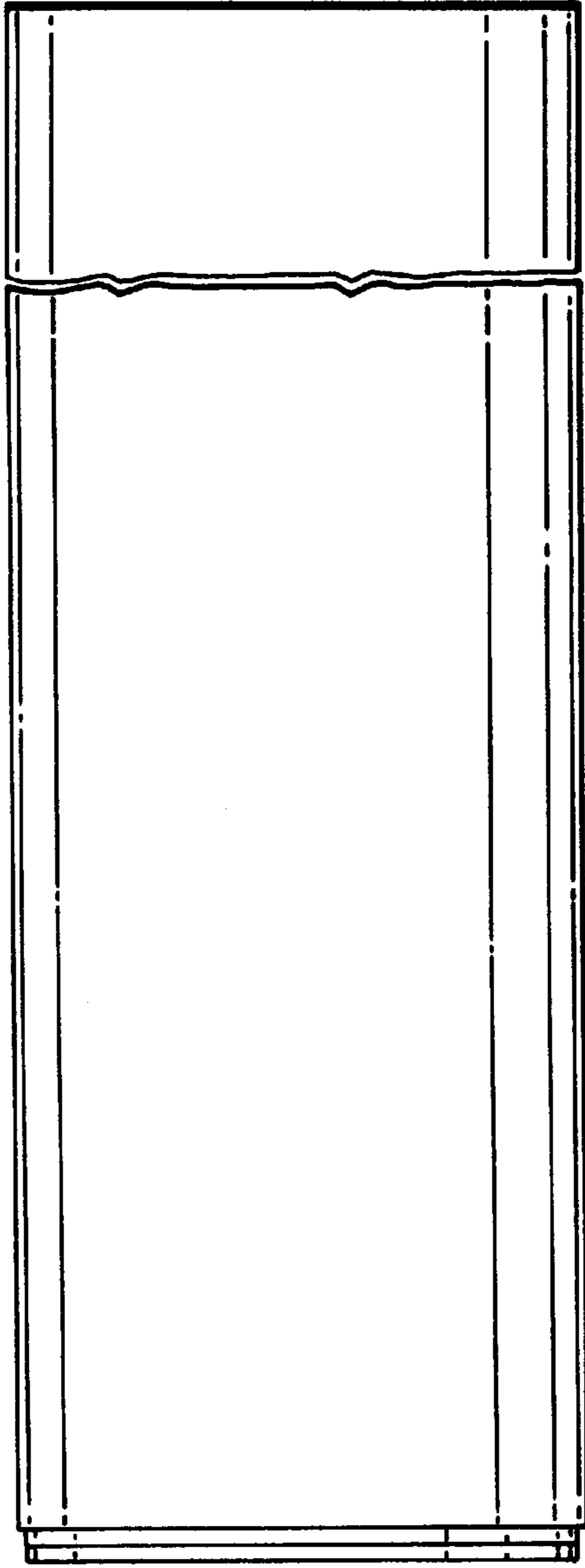


FIG. 5.

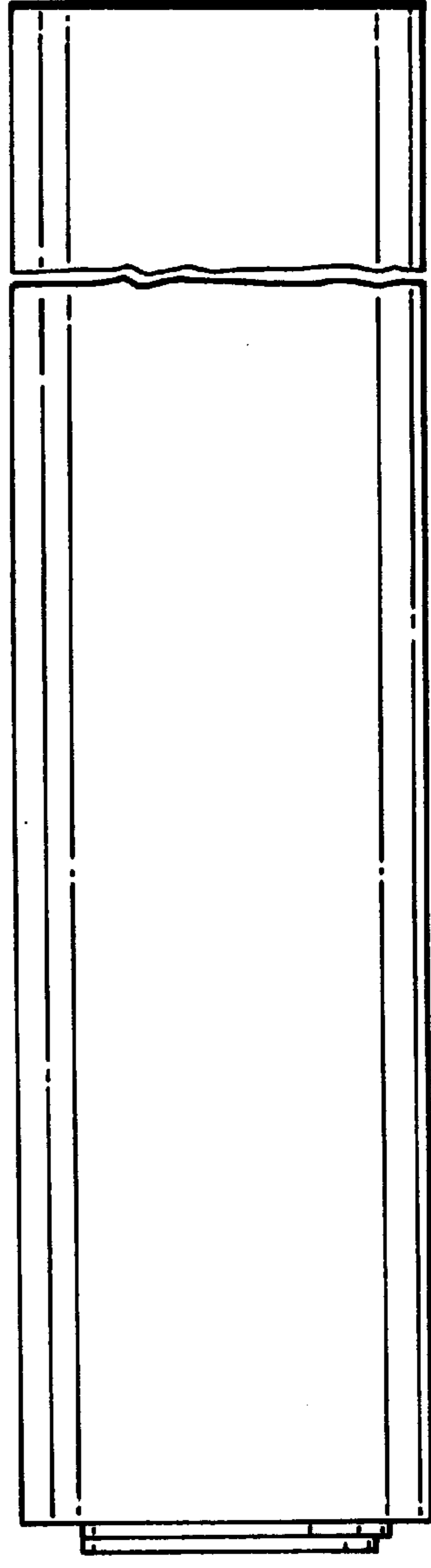


FIG. 3.

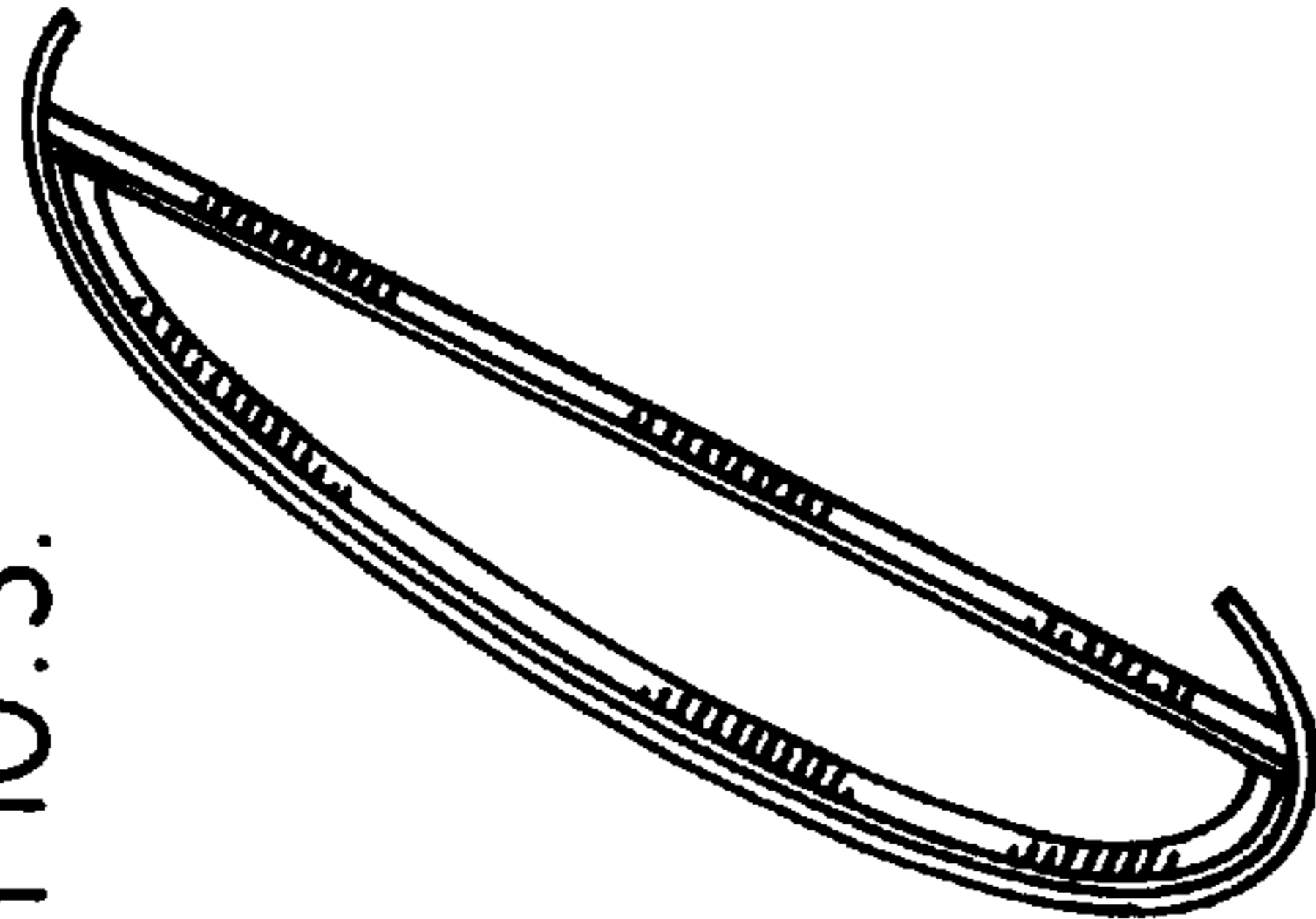


FIG. 6.

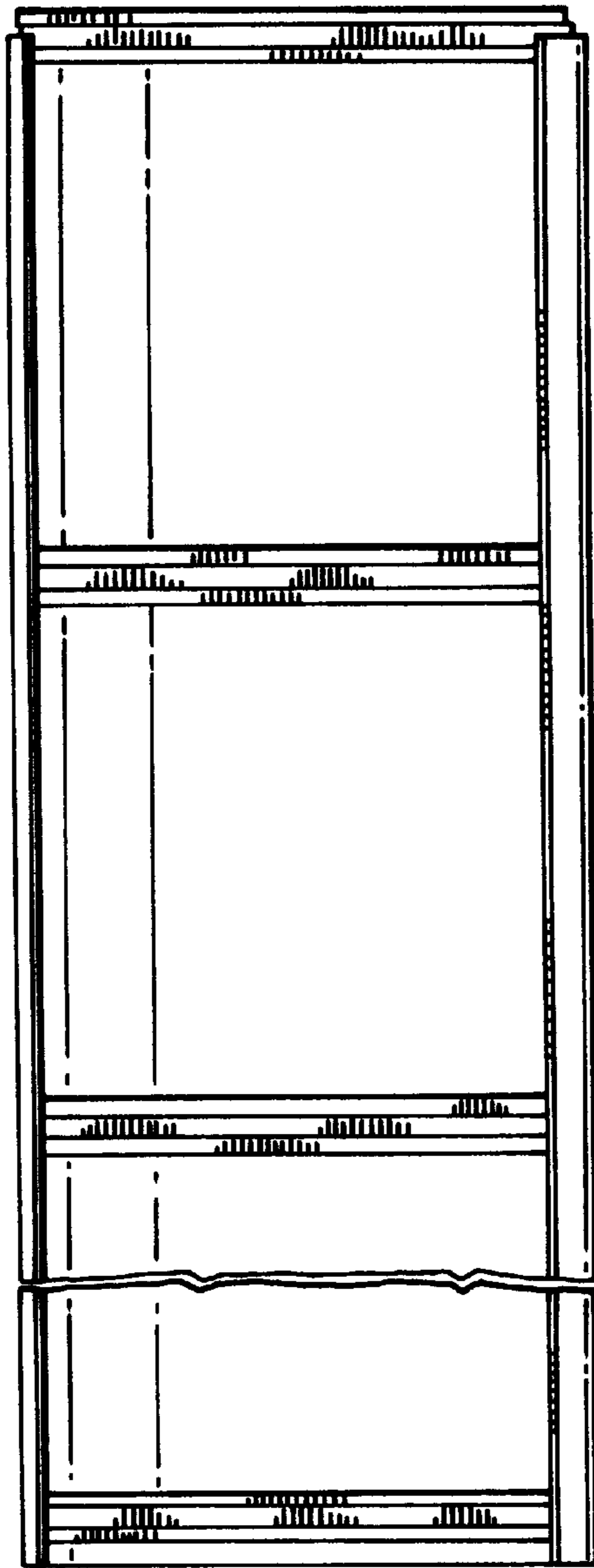
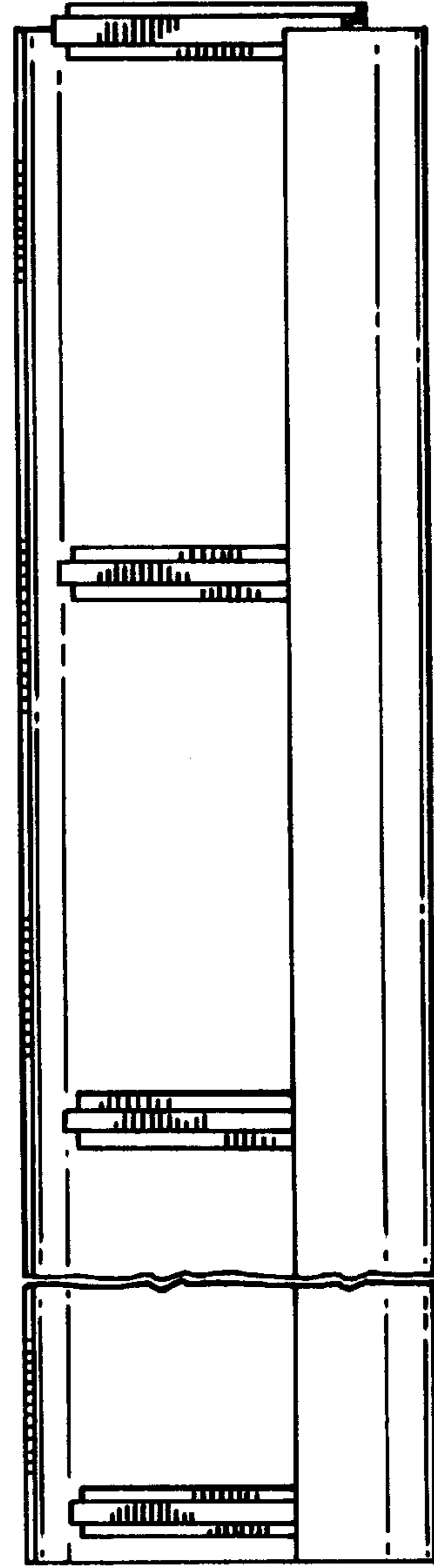


FIG. 7.



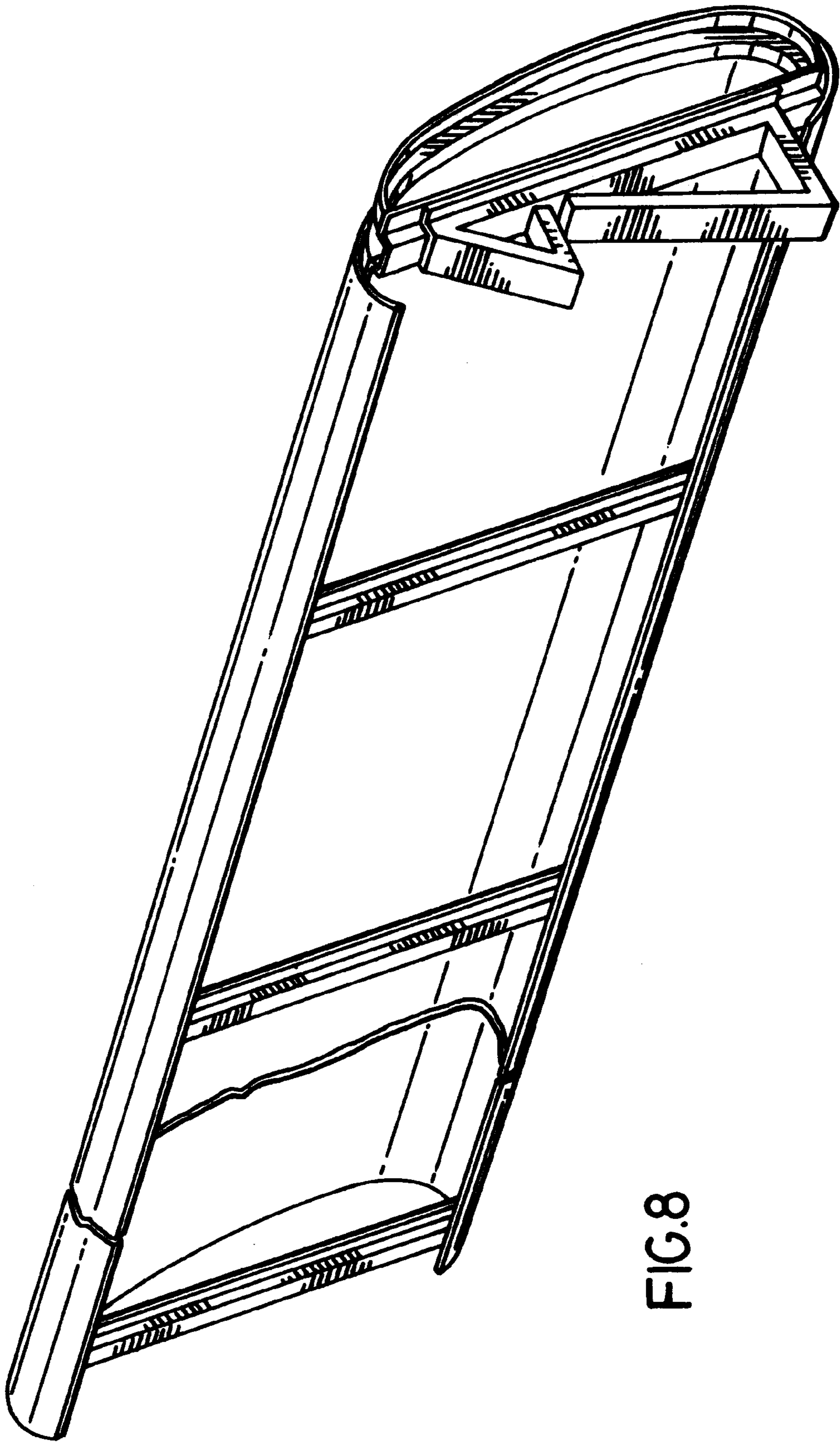


FIG.8