



US00D418926S

United States Patent [19]
Owens et al.

[11] **Patent Number: Des. 418,926**
[45] **Date of Patent: ** Jan. 11, 2000**

[54] **COMPOSITE DECKING PLANK** 5,758,467 6/1998 Snear et al. 59/650.3

[76] Inventors: **Steven Michael Owens**, 318 Park Dr.,
Seabrook, Tex. 77586; **Eric Dean Snyder**, 4717 Mandalay Dr., Arlington,
Tex. 76016

Primary Examiner—Doris Clark
Attorney, Agent, or Firm—Dennis Griggs

[**] Term: **14 Years**

[57] **CLAIM**

The new original design for “composite decking plank,” as shown and described.

[21] Appl. No.: **29/089,472**

DESCRIPTION

[22] Filed: **Jun. 16, 1998**

[51] **LOC (7) Cl.** **25-01**

[52] **U.S. Cl.** **D25/138**

[58] **Field of Search** 14/73; 52/87, 650.3;
D25/138, 125

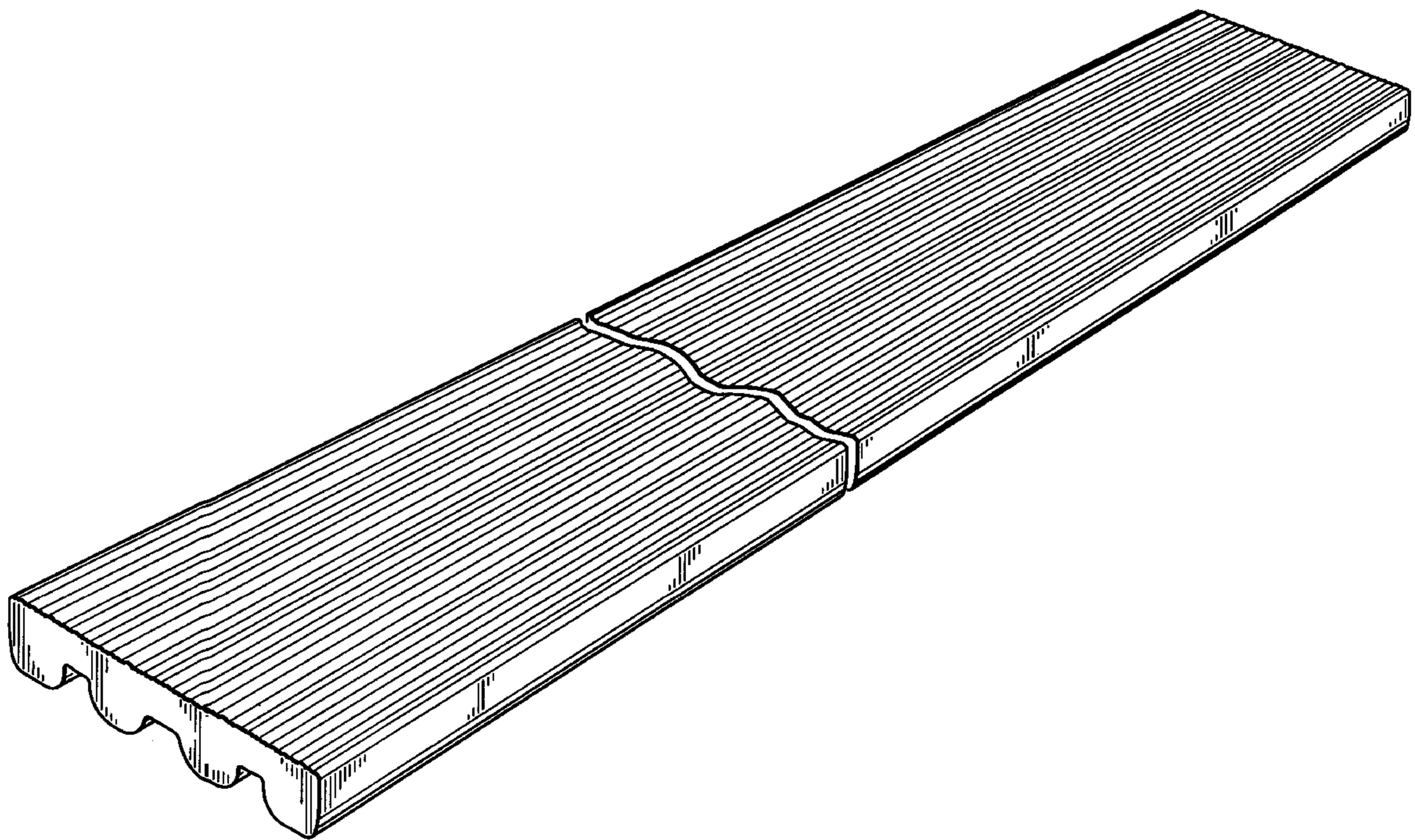
FIG. 1 is an enlarged perspective view of one end of a composite decking plank embodying the invention;
FIG. 2 is an end view of the composite decking plank depicted in FIG. 1;
FIG. 3 is a top view of the composite decking plank;
FIG. 4 is a bottom view of the composite decking plank; and,
FIG. 5 is a side view of the composite decking plank.

[56] **References Cited**

U.S. PATENT DOCUMENTS

D. 345,222 3/1994 Hallsten et al. D25/138

1 Claim, 2 Drawing Sheets



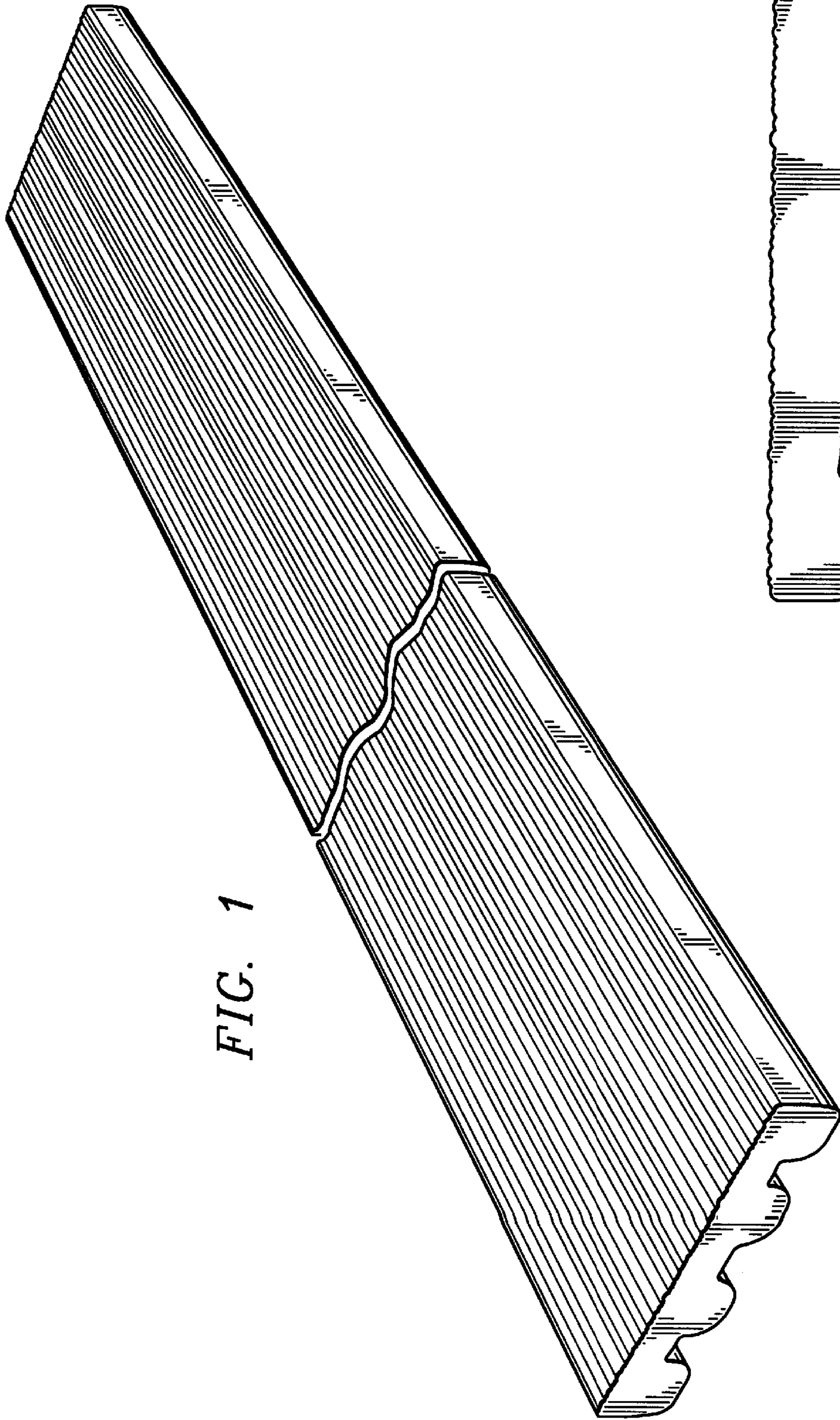


FIG. 1

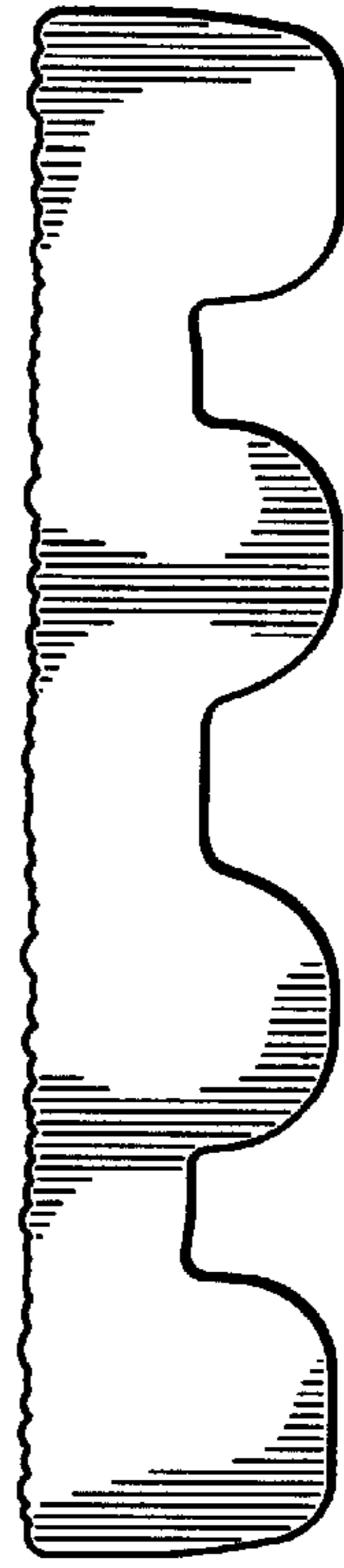


FIG. 2

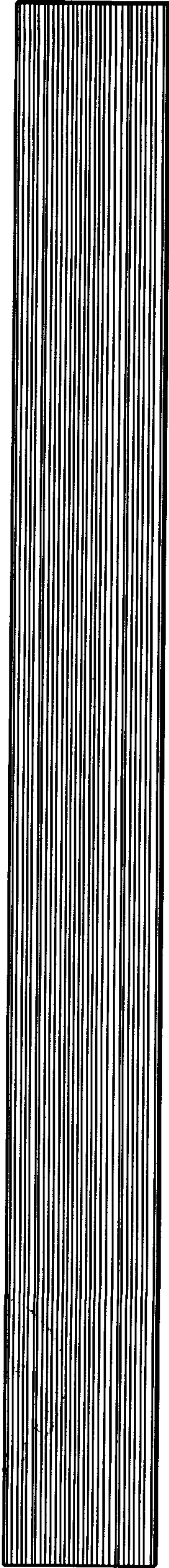


FIG. 3

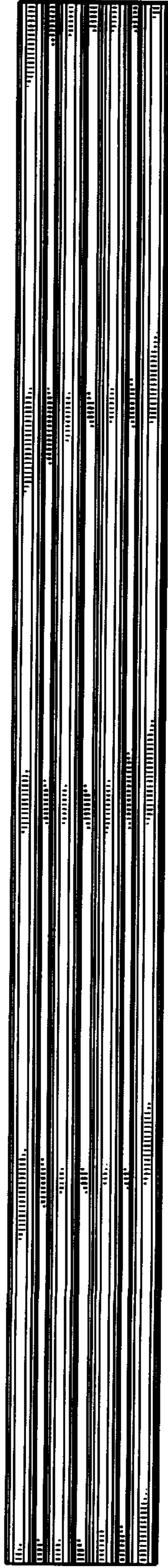


FIG. 4



FIG. 5