



US00D418925S

United States Patent [19] Franson

[11] **Patent Number: Des. 418,925**

[45] **Date of Patent: ** Jan. 11, 2000**

[54] **WINDOW COMPONENT EXTRUSION**

D. 338,969 8/1993 Cole D25/124
D. 353,895 12/1994 Dallaire et al. D25/124
D. 362,732 9/1995 Franson .

[75] Inventor: **Jeffrey R. Franson**, Maple Valley, Wash.

Primary Examiner—Doris Clark
Attorney, Agent, or Firm—Richardson & Folise

[73] Assignee: **Mikron Industries, Inc.**, Kent, Wash.

[**] Term: **14 Years**

[57] **CLAIM**

[21] Appl. No.: **29/105,670**

The ornamental design for a window component extrusion, as shown and described.

[22] Filed: **May 28, 1999**

DESCRIPTION

[51] **LOC (7) Cl.** **25-01**

[52] **U.S. Cl.** **D25/124**

[58] **Field of Search** D25/52, 60, 119-125;
52/204.5; 49/501, 504, DIG. 1, DIG. 2,
181

FIG. 1 is a top right perspective view of the window component extrusion which is broken in the center indicating indefinite length; and,

FIG. 2 is a bottom left perspective view of the window component extrusion shown in FIG. 1.

[56] **References Cited**

U.S. PATENT DOCUMENTS

D. 338,723 8/1993 Cole .

1 Claim, 1 Drawing Sheet

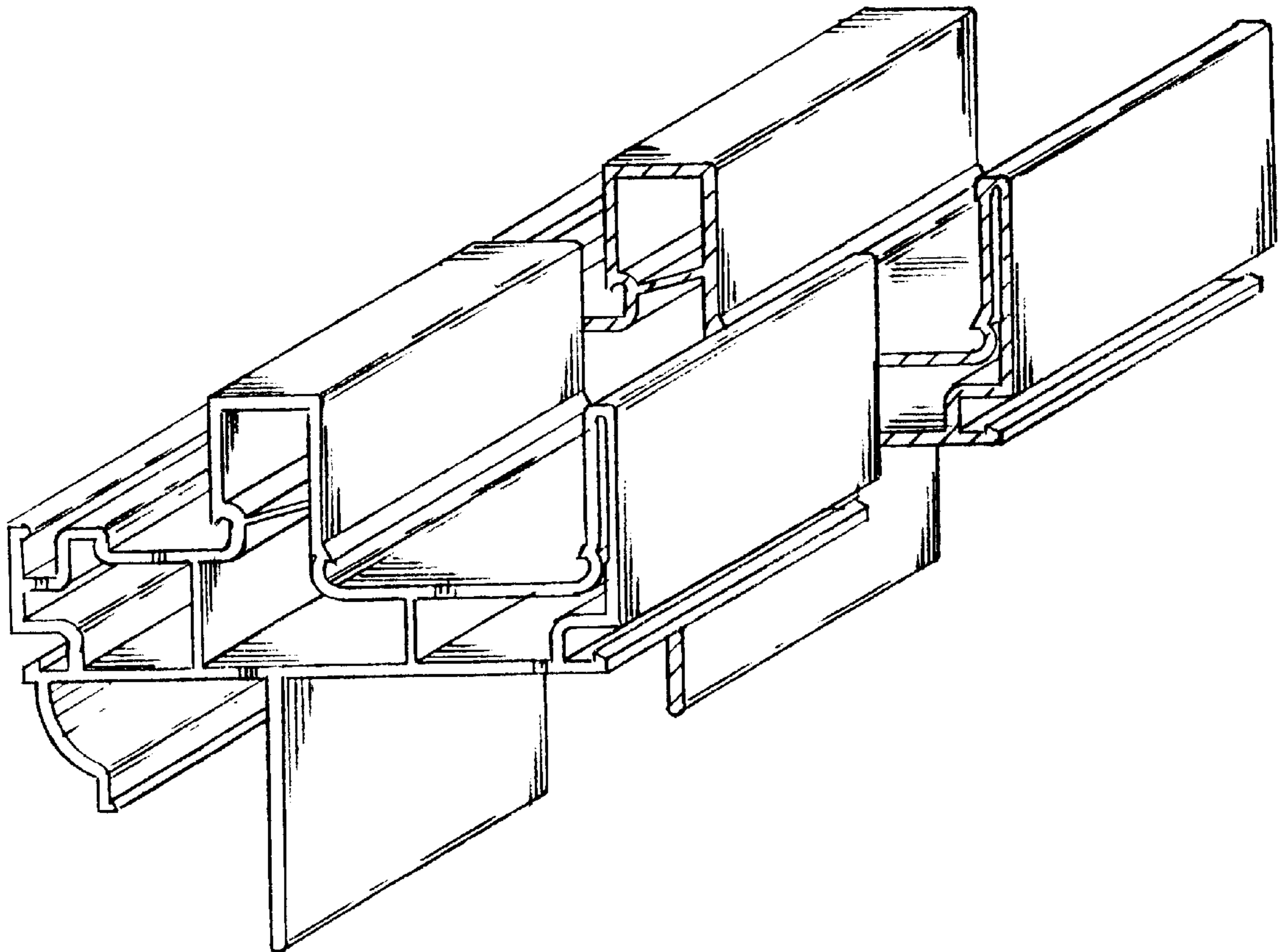


FIG. 1

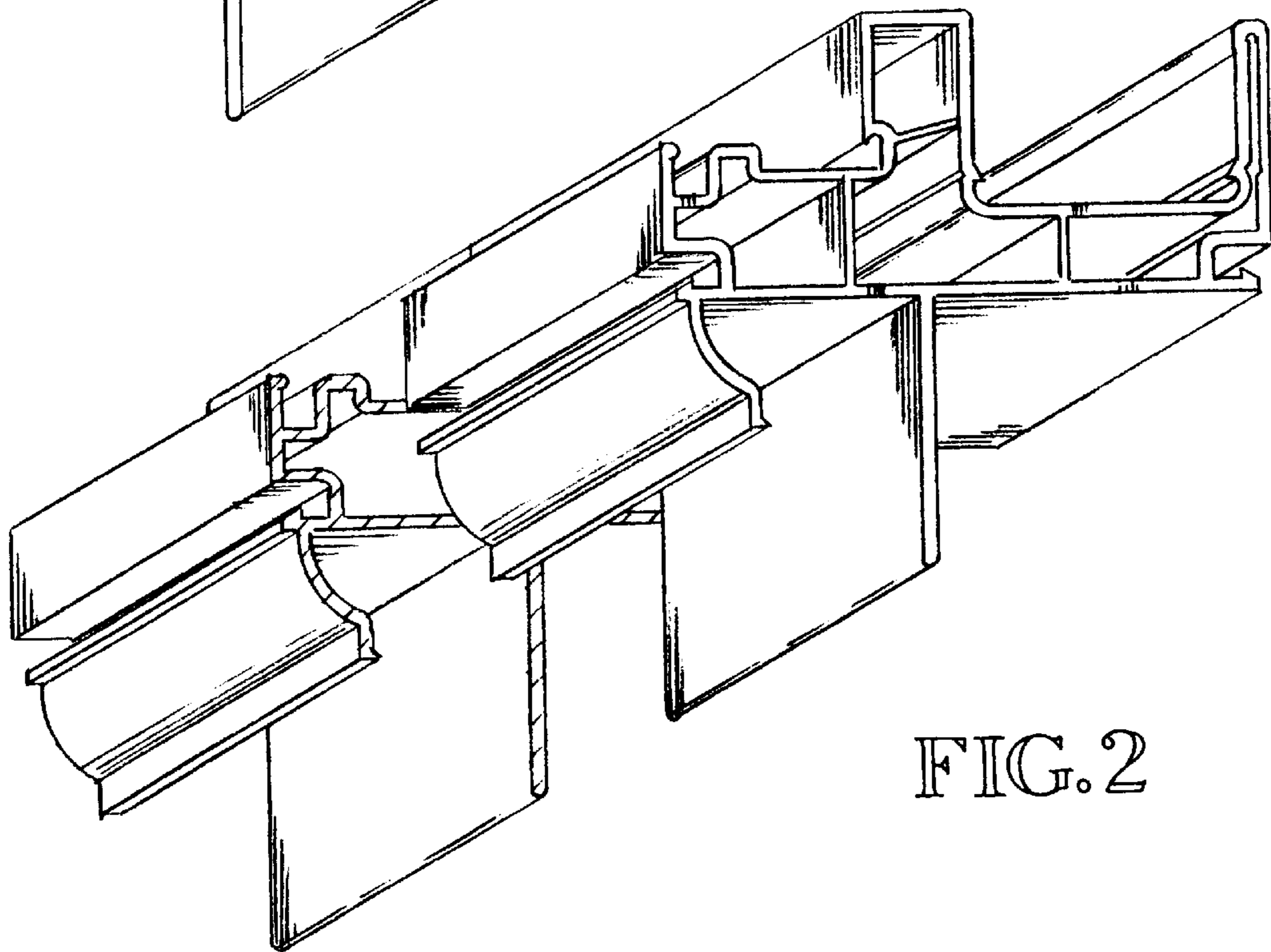
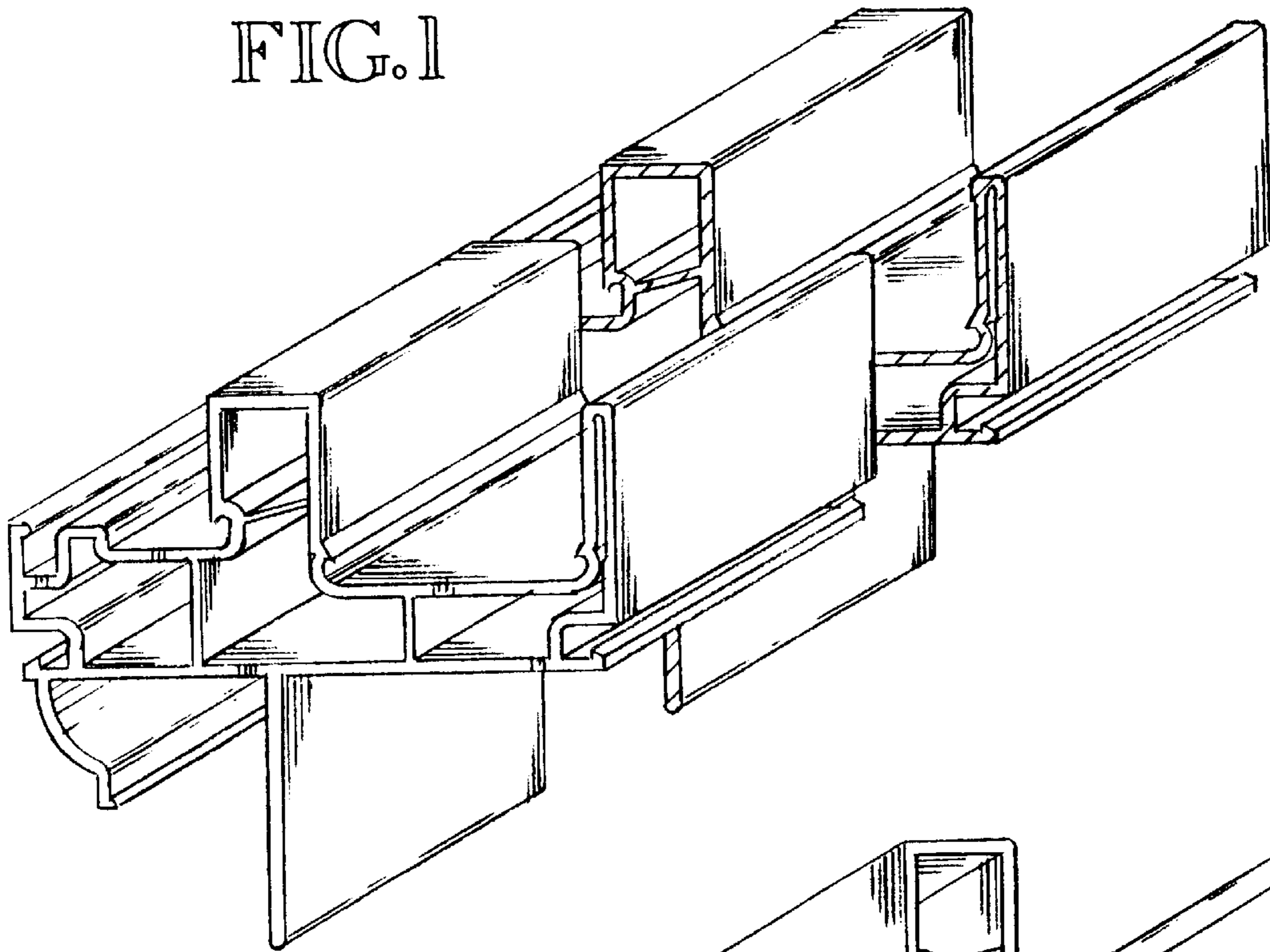


FIG. 2