



US00D418924S

United States Patent [19]
Lockbeam

[11] **Patent Number: Des. 418,924**
[45] **Date of Patent: ** Jan. 11, 2000**

[54] **WINDOW COMPONENT EXTRUSION**

D. 375,807 11/1996 Goss .
D. 384,754 10/1997 Goss D25/124

[75] Inventor: **Michael Lockbeam**, Tacoma, Wash.

[73] Assignee: **Mikron Industries, Inc.**, Kent, Wash.

[**] Term: **14 Years**

Primary Examiner—Doris Clark
Attorney, Agent, or Firm—Richardson & Folise

[21] Appl. No.: **29/100,574**

[22] Filed: **Feb. 12, 1999**

[57] **CLAIM**

The ornamental design for a window component extrusion, as shown and described.

[51] **LOC (7) Cl.** **25-01**

[52] **U.S. Cl.** **D25/124**

[58] **Field of Search** D25/60, 52, 119-125;
52/204.5; 49/504, 181, 505, DIG. 122

DESCRIPTION

FIG. 1 is a top right perspective view of the window component extrusion which is broken in the center indicating indefinite length; and,

FIG. 2 is a bottom left perspective view of the window component extrusion shown in FIG. 1.

[56] **References Cited**

U.S. PATENT DOCUMENTS

D. 333,876 3/1993 Cole .

1 Claim, 1 Drawing Sheet

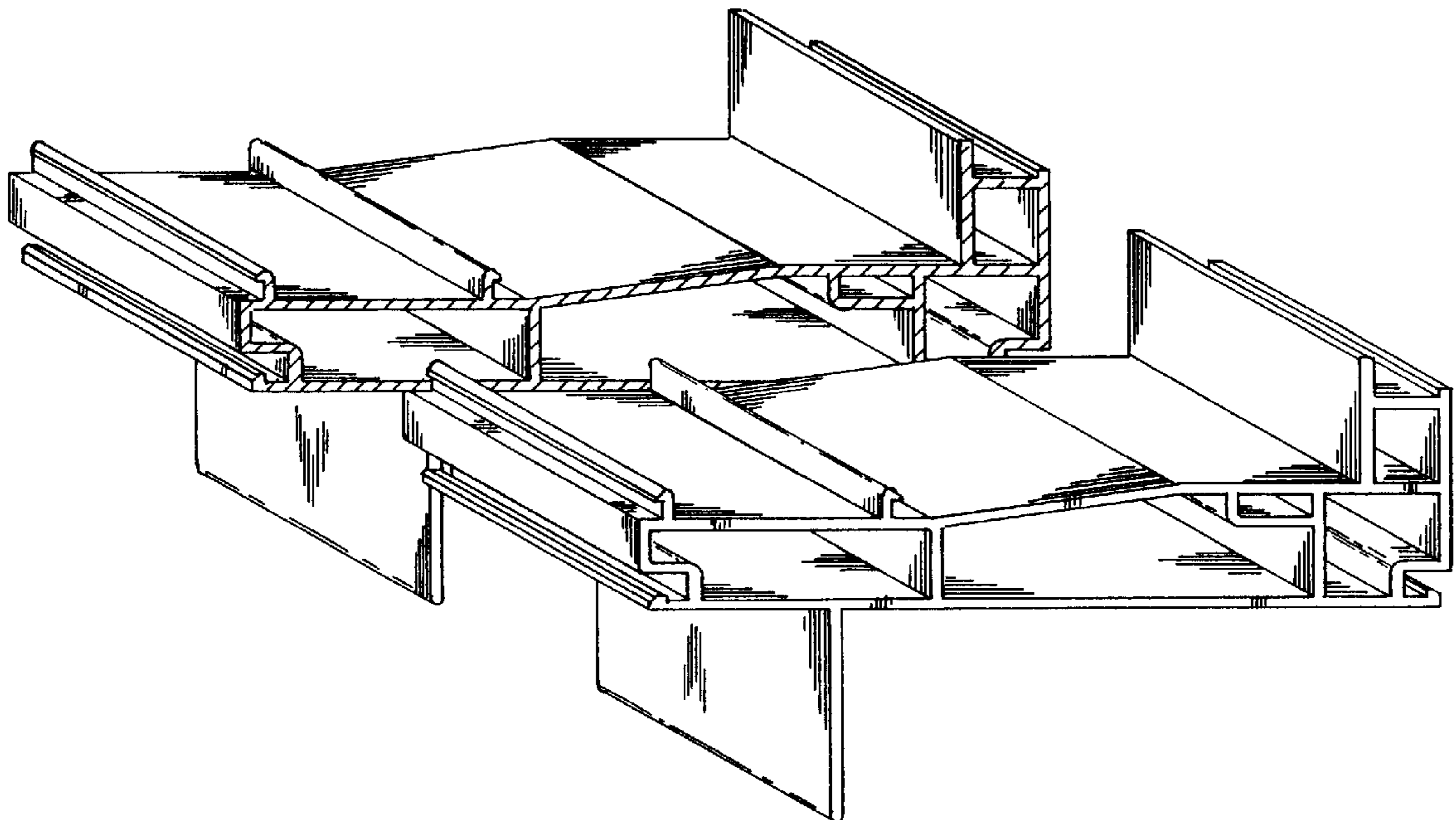


FIG. 1

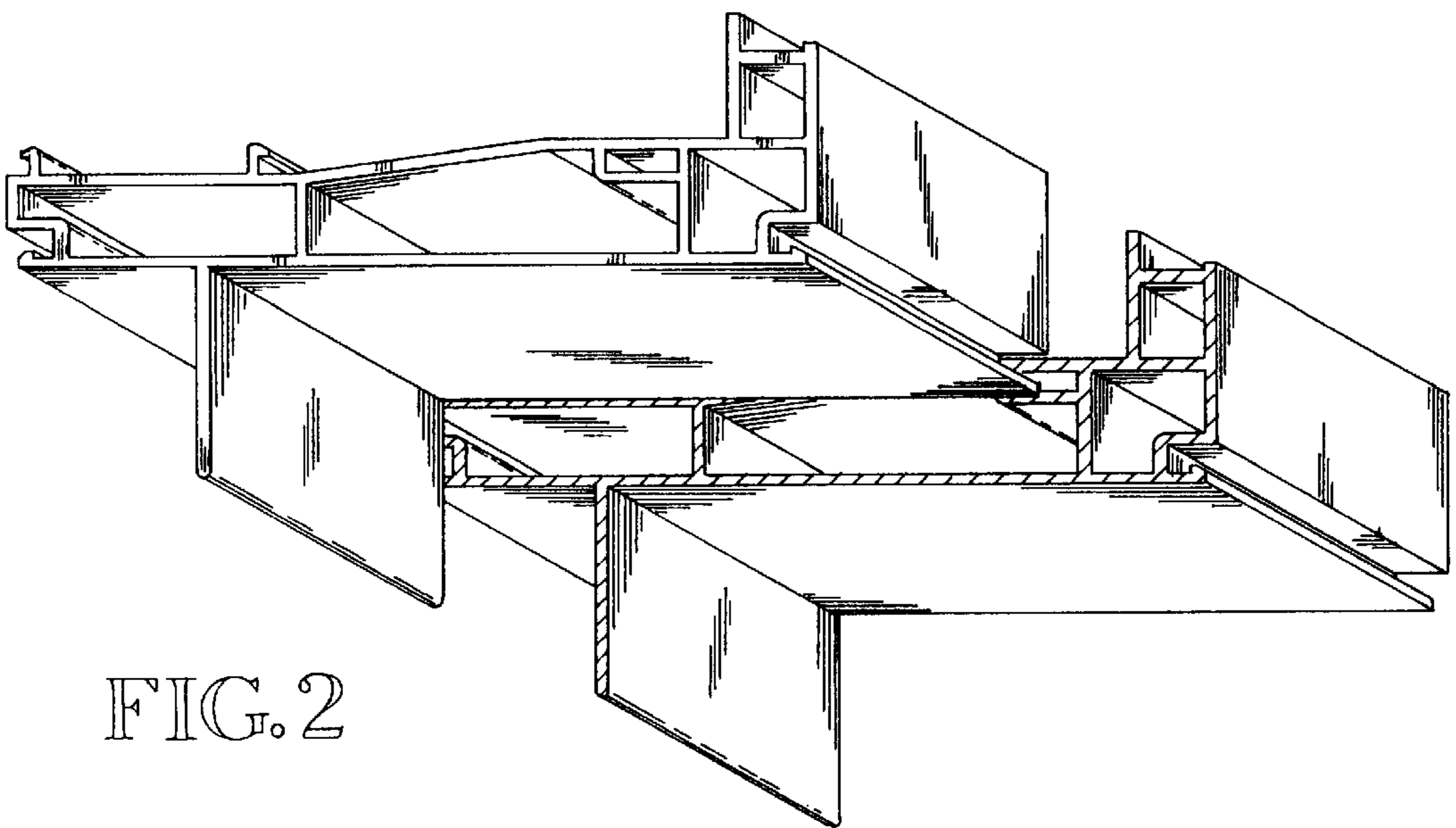
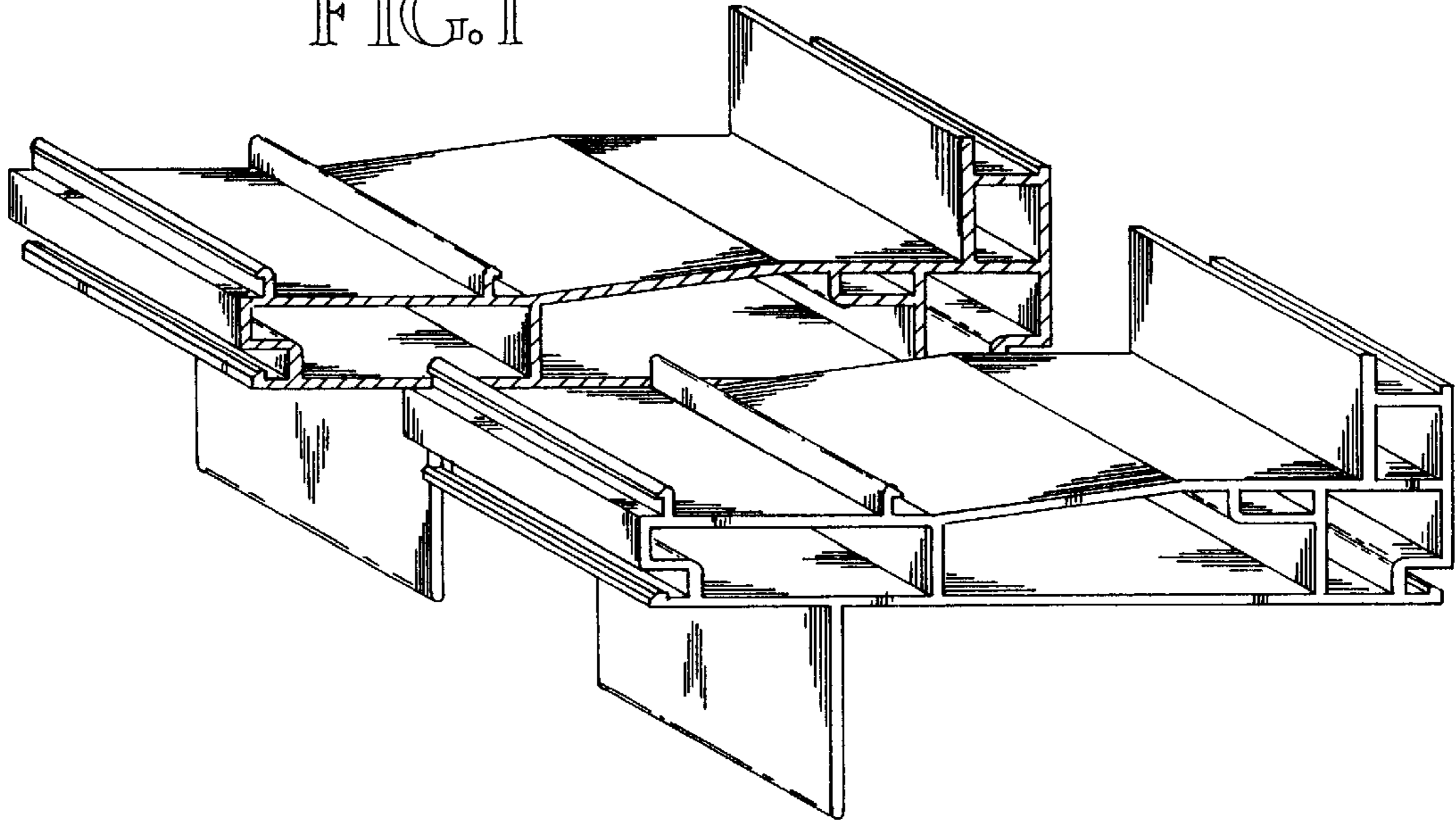


FIG. 2