



US00D418923S

United States Patent [19]

Lockbeam

[11] **Patent Number: Des. 418,923**

[45] **Date of Patent: ** Jan. 11, 2000**

[54] **WINDOW COMPONENT EXTRUSION**

[75] Inventor: **Michael Lockbeam**, Tacoma, Wash.

[73] Assignee: **Mikron Industries, Inc.**, Kent, Wash.

[**] Term: **14 Years**

[21] Appl. No.: **29/100,547**

[22] Filed: **Feb. 12, 1999**

[51] **LOC (7) Cl.** **25-01**

[52] **U.S. Cl.** **D25/124**

[58] **Field of Search** D25/124, 119-123,
D25/125, 52, 60; 52/204.5; 49/181, DIG. 1,
DIG. 2, 504, 501

[56] **References Cited**

U.S. PATENT DOCUMENTS

D. 334,069 3/1993 Cole .

D. 338,276 8/1993 Cole .

D. 339,643 9/1993 Cole .

D. 353,472 12/1994 Schrader D25/124

D. 380,561 7/1997 Colitto D25/124

Primary Examiner—Doris Clark

Attorney, Agent, or Firm—Richardson & Folise

[57] **CLAIM**

The ornamental design for a window component extrusion, as shown and described.

DESCRIPTION

FIG. 1 is a top right perspective view of the window component extrusion which is broken in the center indicating indefinite length; and,

FIG. 2 is a bottom left perspective view of the window component extrusion shown in FIG. 1.

1 Claim, 1 Drawing Sheet

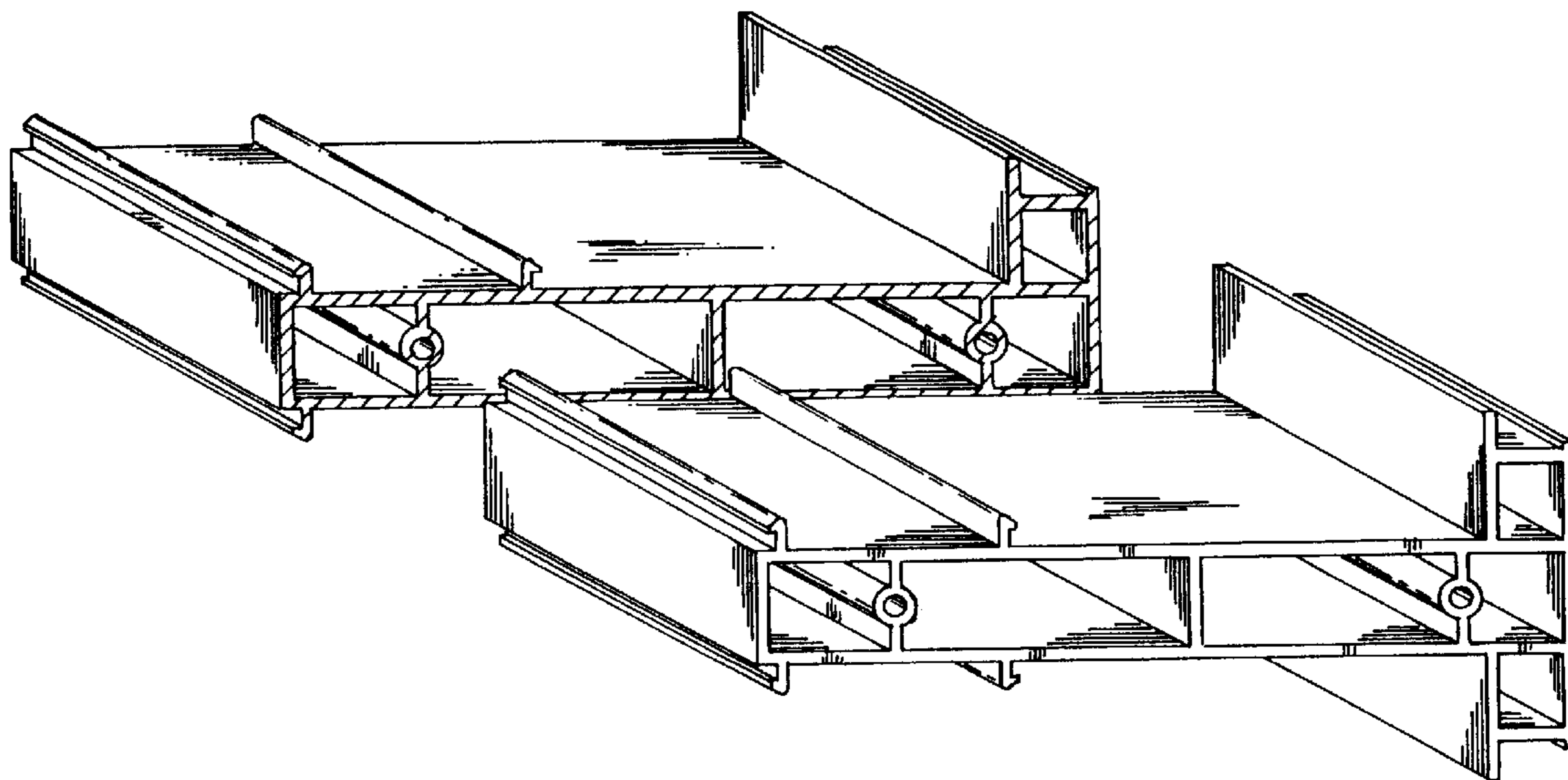


FIG. 1

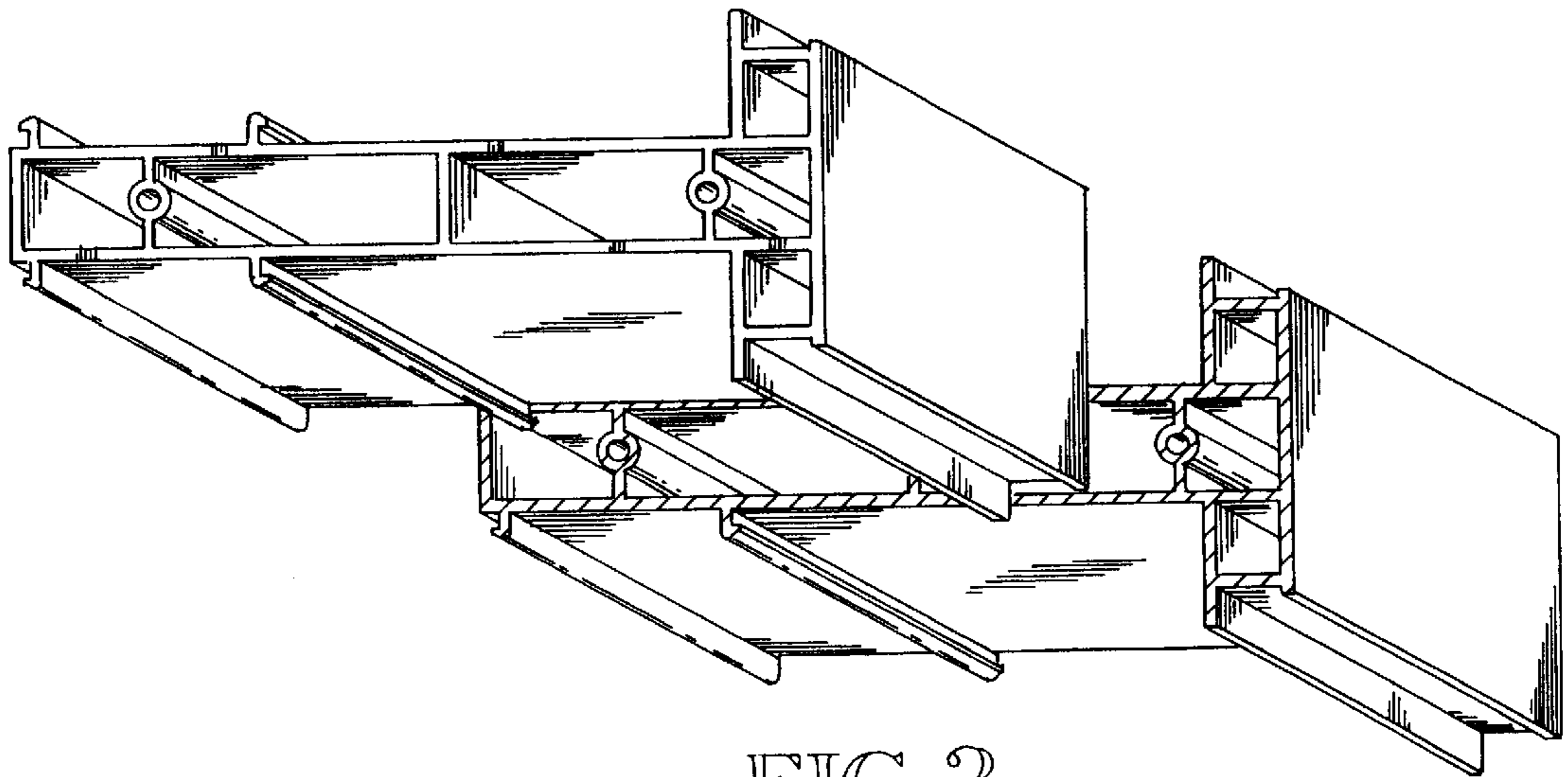
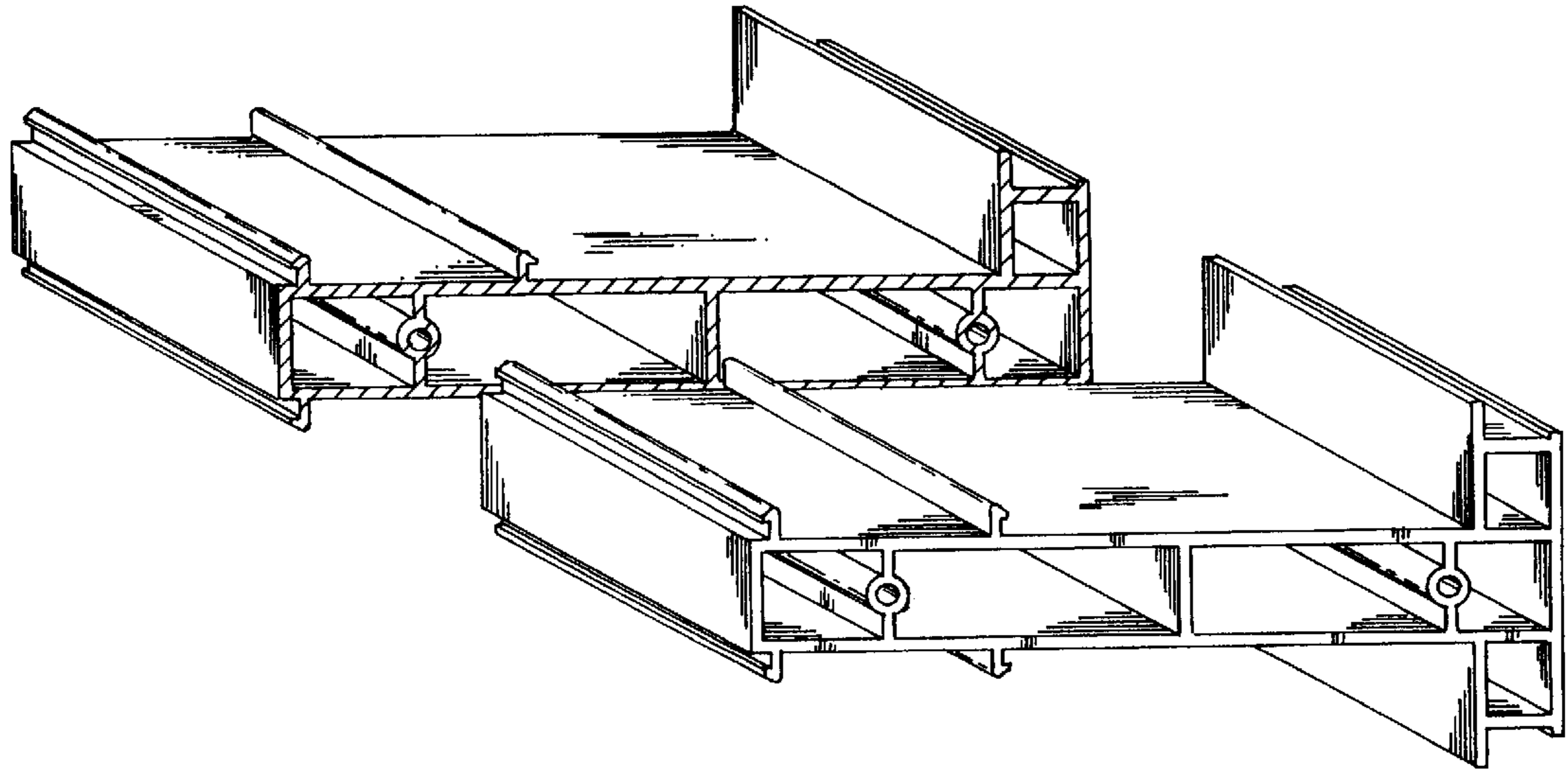


FIG. 2