



US00D418922S

United States Patent [19] Jensen

[11] **Patent Number: Des. 418,922**

[45] **Date of Patent: ** Jan. 11, 2000**

[54] **WINDOW SILL**

[76] Inventor: **Vicky Jensen**, 486 Colorado Dr., Xenia, Ohio 45385

[**] Term: **14 Years**

[21] Appl. No.: **29/105,511**

[22] Filed: **May 27, 1999**

[51] **LOC (7) Cl.** **25-02**

[52] **U.S. Cl.** **D25/52**

[58] **Field of Search** 52/204.5; 49/DIG. 2, 49/504; D25/52, 55

[56] **References Cited**

U.S. PATENT DOCUMENTS

D. 343,691	1/1994	Guhl et al.	D25/52
2,911,688	11/1959	Osten, Sr.	49/DIG. 2
5,134,814	8/1992	Hauser	52/204.5

Primary Examiner—Doris Clark

[57] **CLAIM**

The ornamental design for a window sill, as shown and described.

DESCRIPTION

FIG. 1 is a top plan view of the window sill of the present invention;

FIG. 2 is a bottom plan view of the window sill of FIG. 1;

FIG. 3 is a left side elevational view of the window sill of FIG. 1;

FIG. 4 is a right side elevational view of the window sill of FIG. 1;

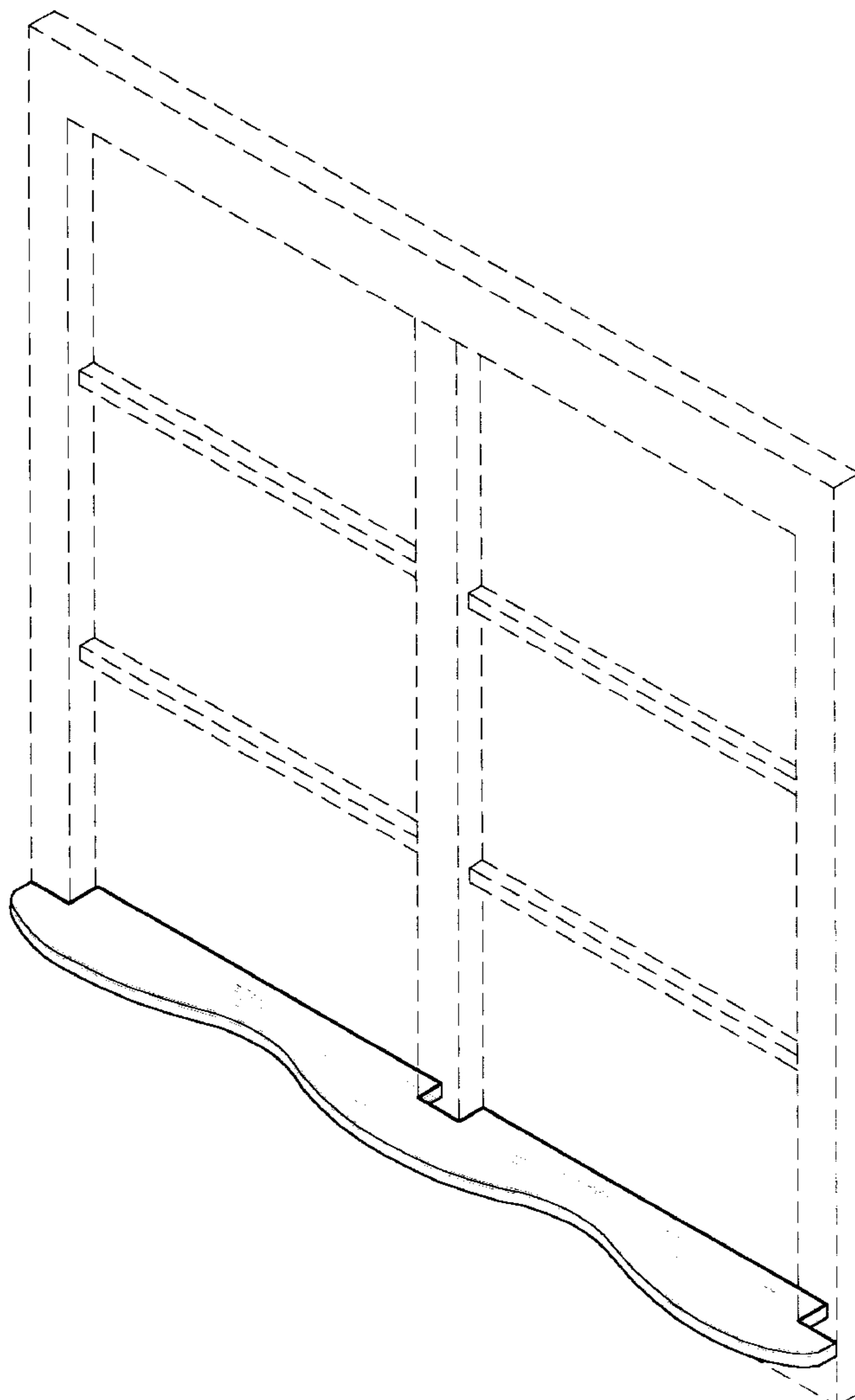
FIG. 5 is a front elevational view of the window sill of FIG. 1;

FIG. 6 is a rear elevational view of the window sill of FIG. 1; and,

FIG. 7 is an in use top, front, right side perspective view of the window sill of FIG. 1.

The broken lines showing of a window frame in FIG. 7 are for illustrative purposes only and form no part of the claimed design.

1 Claim, 2 Drawing Sheets



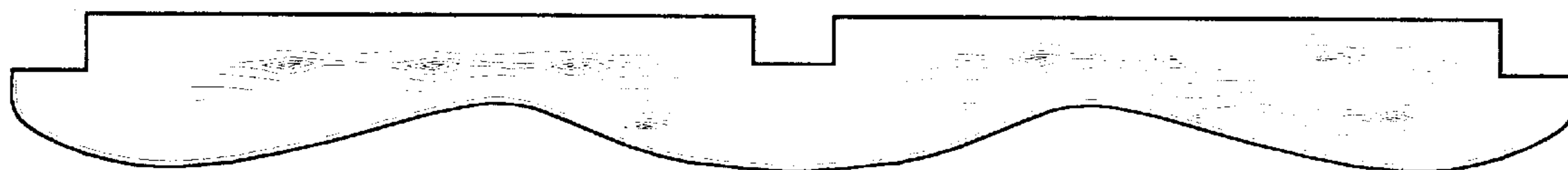


Fig. 1

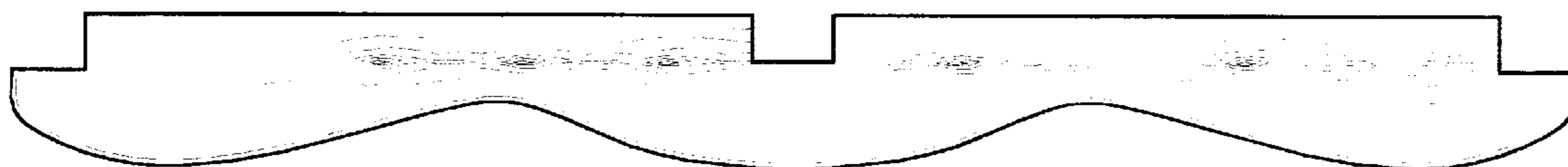


Fig. 2



Fig. 3



Fig. 4

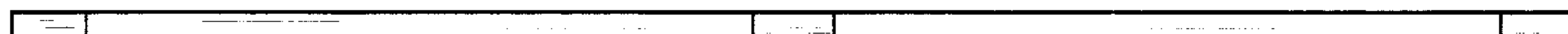


Fig. 5

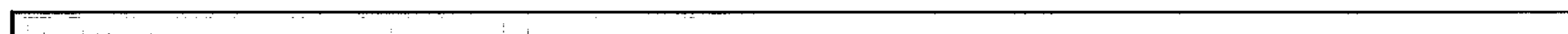


Fig. 6

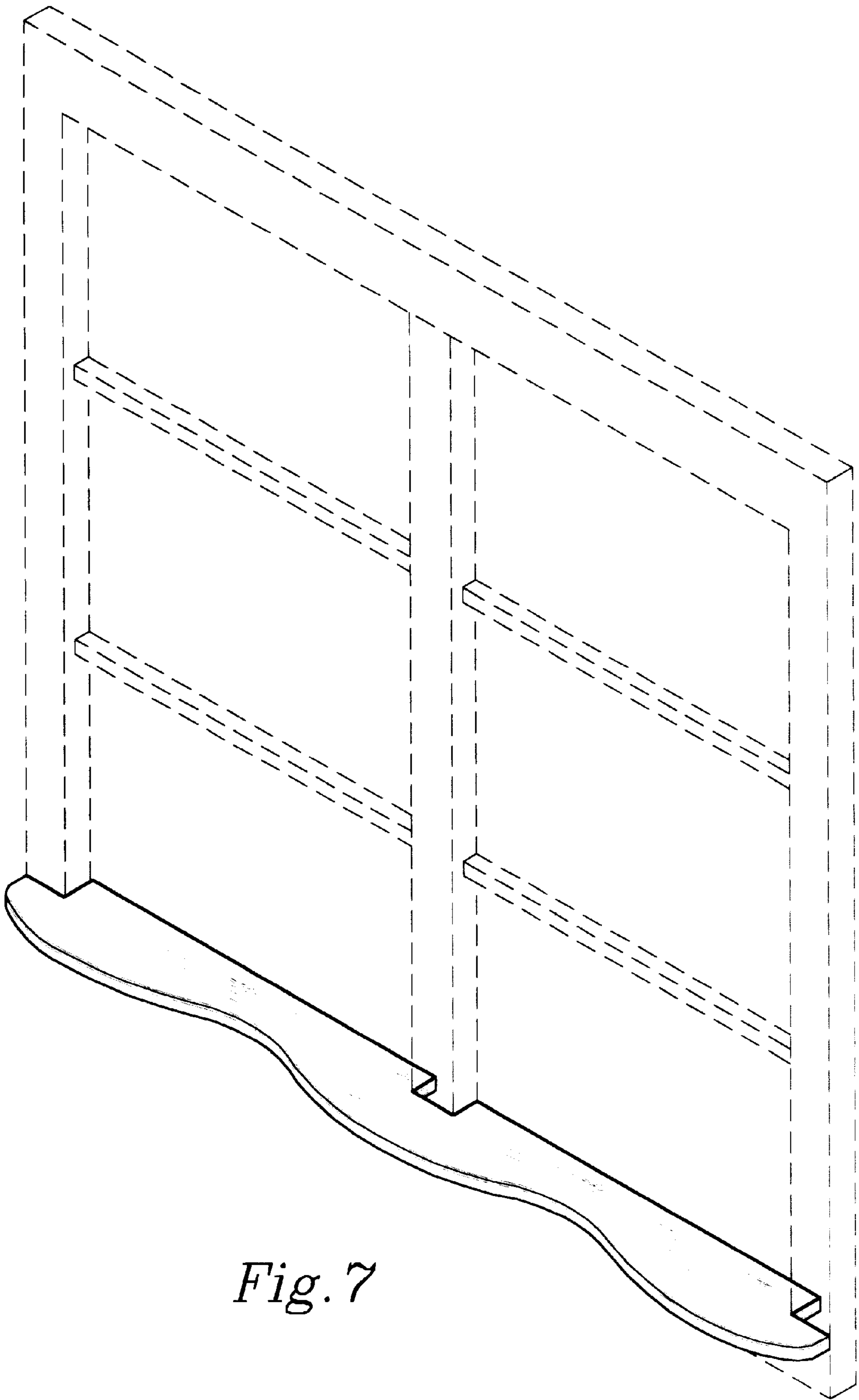


Fig. 7