



US00D418918S

United States Patent [19]
Cunningham

[11] **Patent Number: Des. 418,918**

[45] **Date of Patent: ** Jan. 11, 2000**

[54] **FEMALE EXTERNAL CATHETER**

[76] Inventor: **Mary L Cunningham**, 2251 Richton Sq. Rd., Richton Park, Ill. 60471

[**] Term: **14 Years**

[21] Appl. No.: **29/092,834**

[22] Filed: **Aug. 27, 1998**

[51] **LOC (7) Cl.** **24-04**

[52] **U.S. Cl.** **D24/122; D24/112**

[58] **Field of Search** D24/122, 118, D24/121, 112; D7/700; D23/302; 604/329, 330; 4/144.3, 144.4

[56] **References Cited**

U.S. PATENT DOCUMENTS

5,735,835	4/1998	Holland	604/331
5,893,176	4/1999	Magiera et al.	604/329 X
5,894,608	4/1999	Birbara	4/144.3

Primary Examiner—Stella Reid
Assistant Examiner—I Simmons

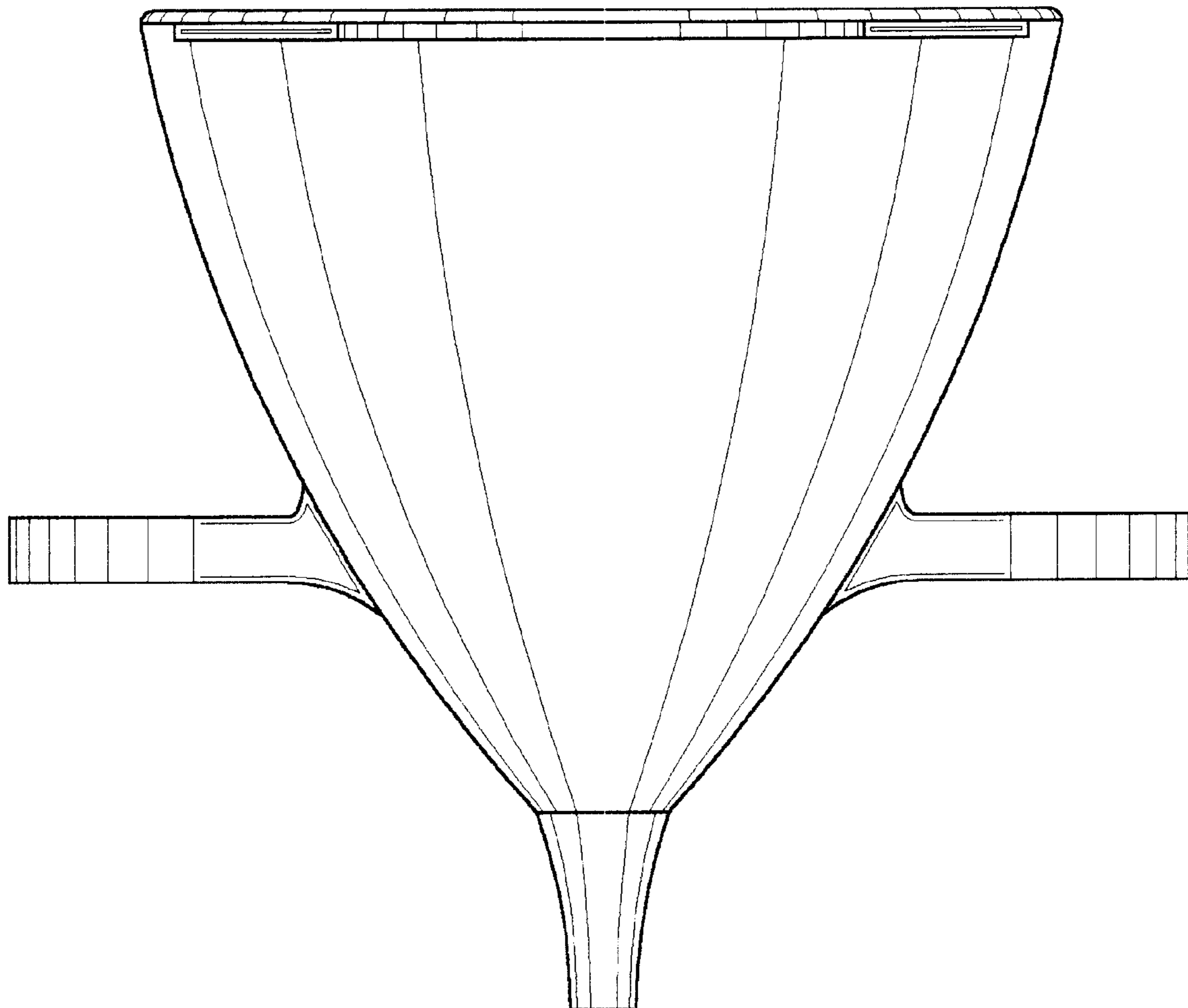
[57] **CLAIM**

The ornamental design for a female external catheter, as shown.

DESCRIPTION

FIG. 1 is a left side elevational view of the female external catheter of the present invention;
FIG. 2 is a right side elevational view of the female external catheter of FIG. 1;
FIG. 3 is a front elevational view of the female external catheter of FIG. 1;
FIG. 4 is a back elevational view of the female external catheter of FIG. 1;
FIG. 5 is a top plan view of the female external catheter of FIG. 1; and,
FIG. 6 is a bottom plan view of the female external catheter of FIG. 1.

1 Claim, 3 Drawing Sheets



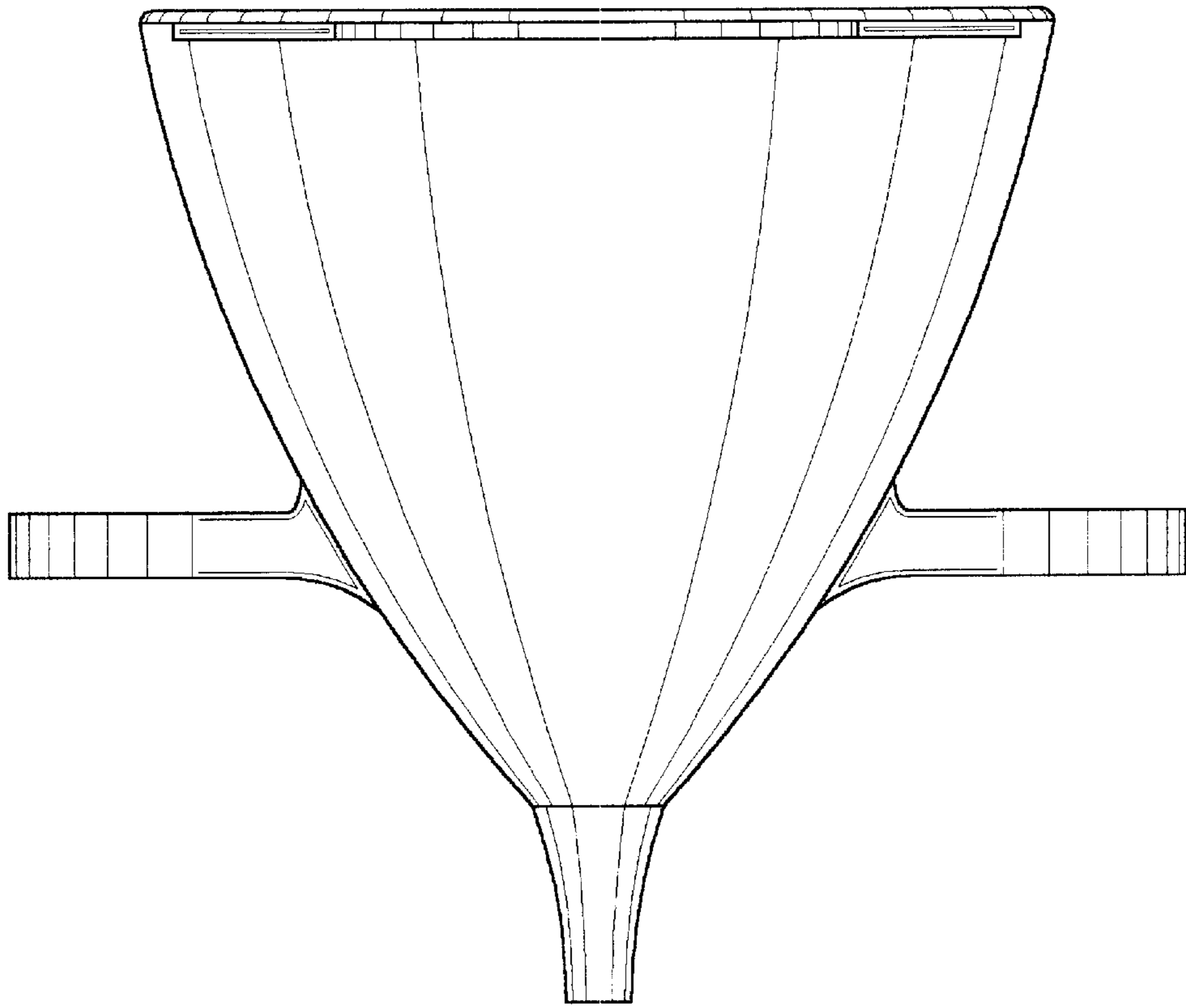


Fig. 1

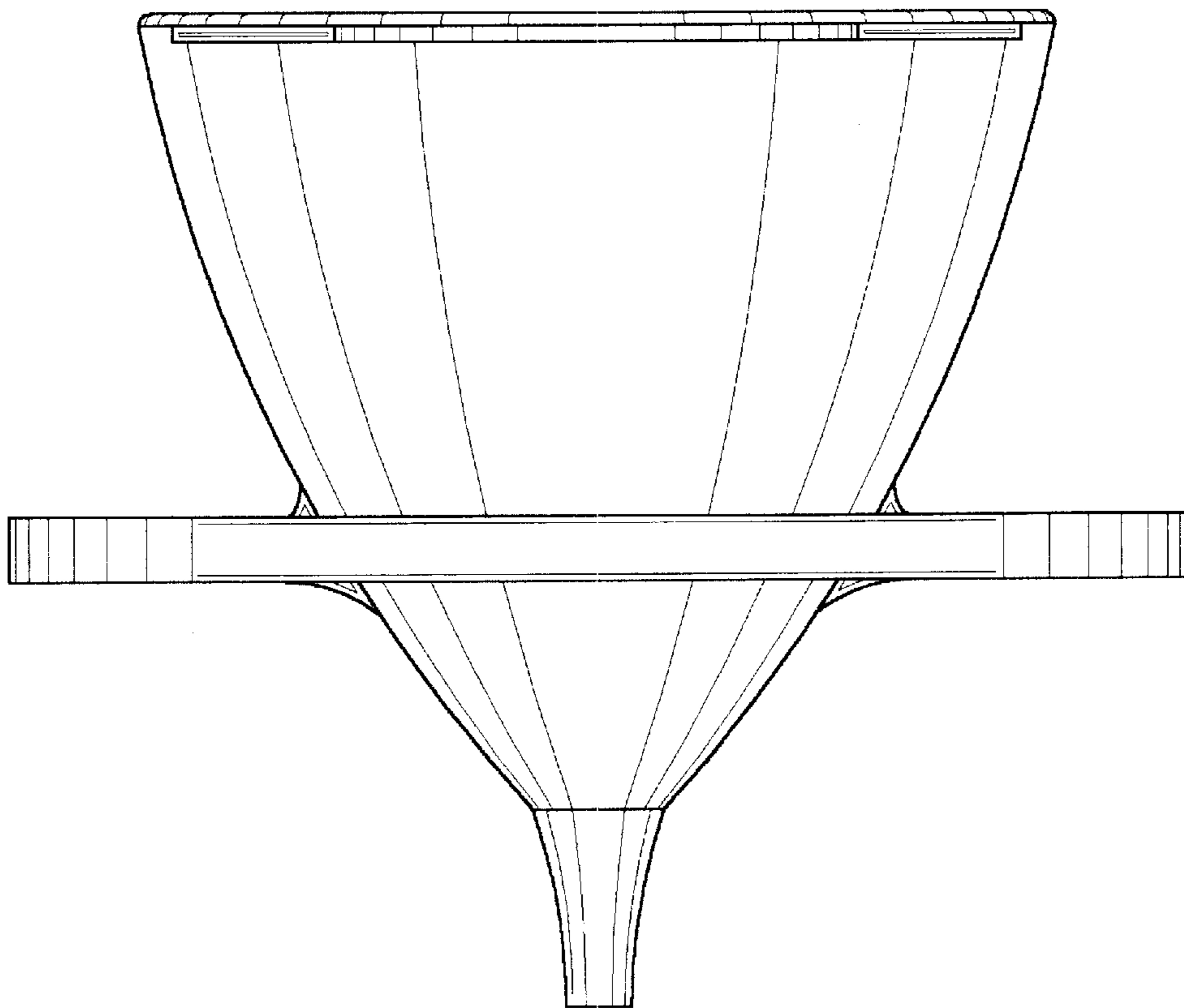


Fig. 2

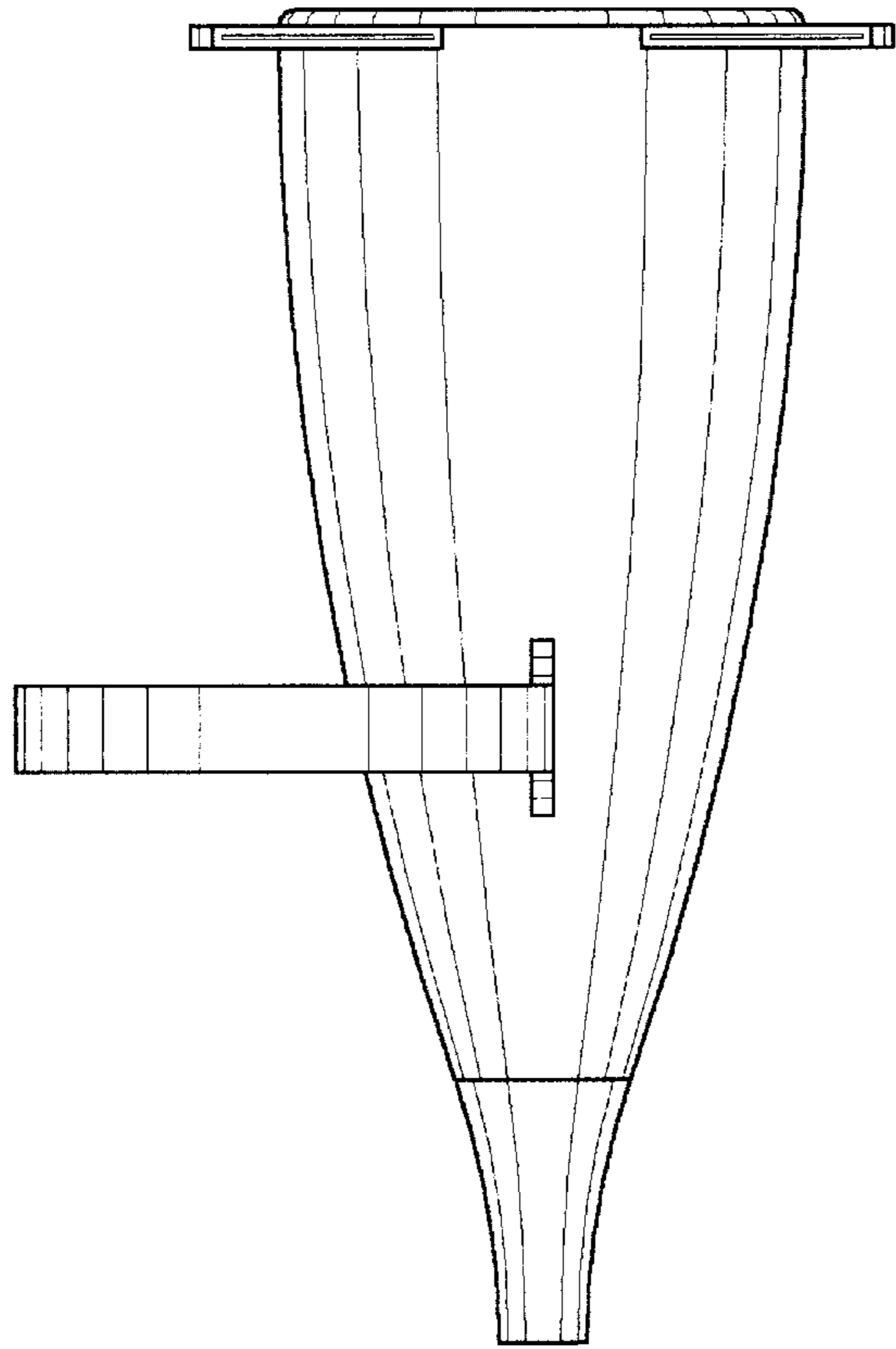


Fig. 3

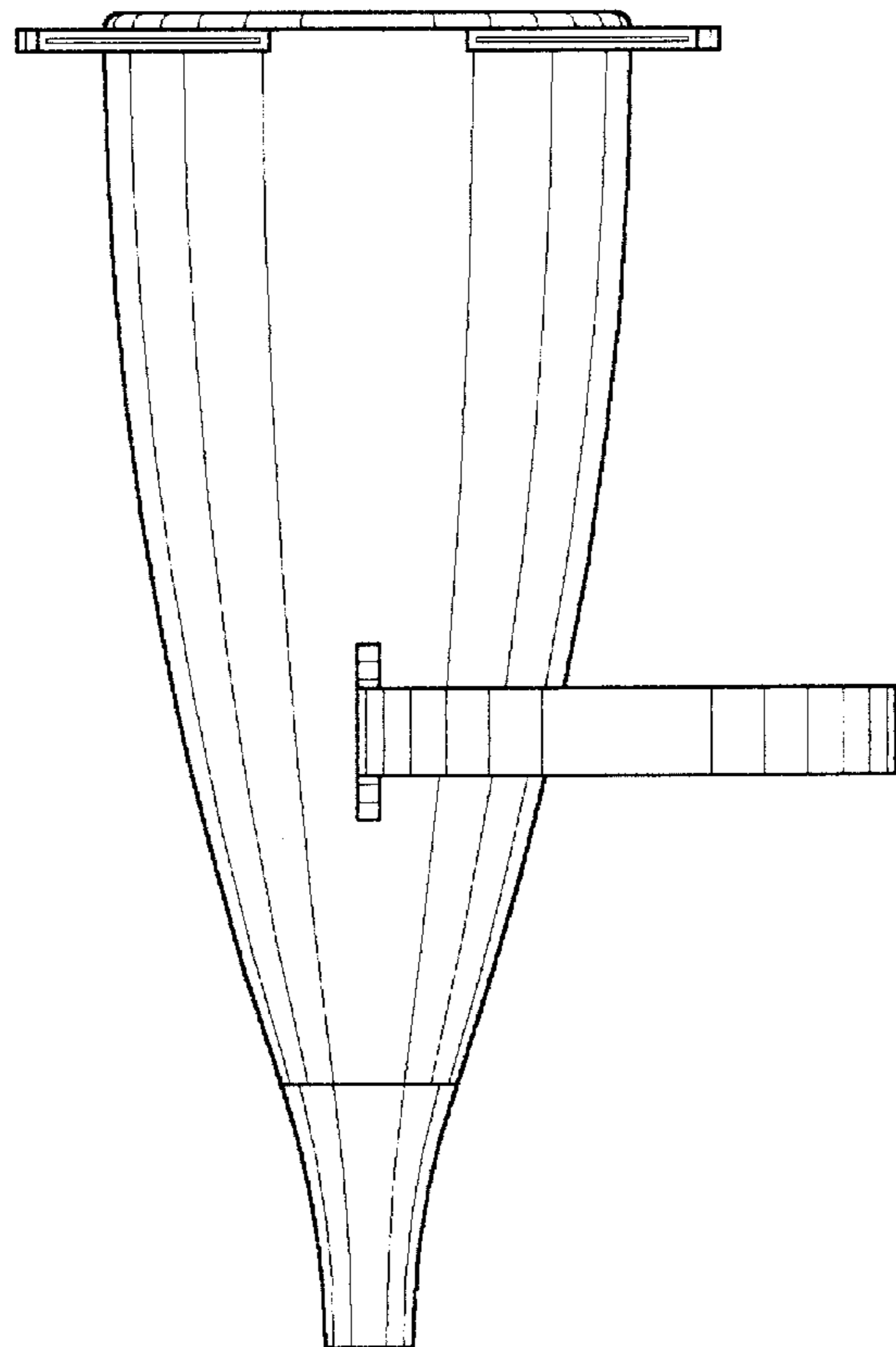


Fig. 4

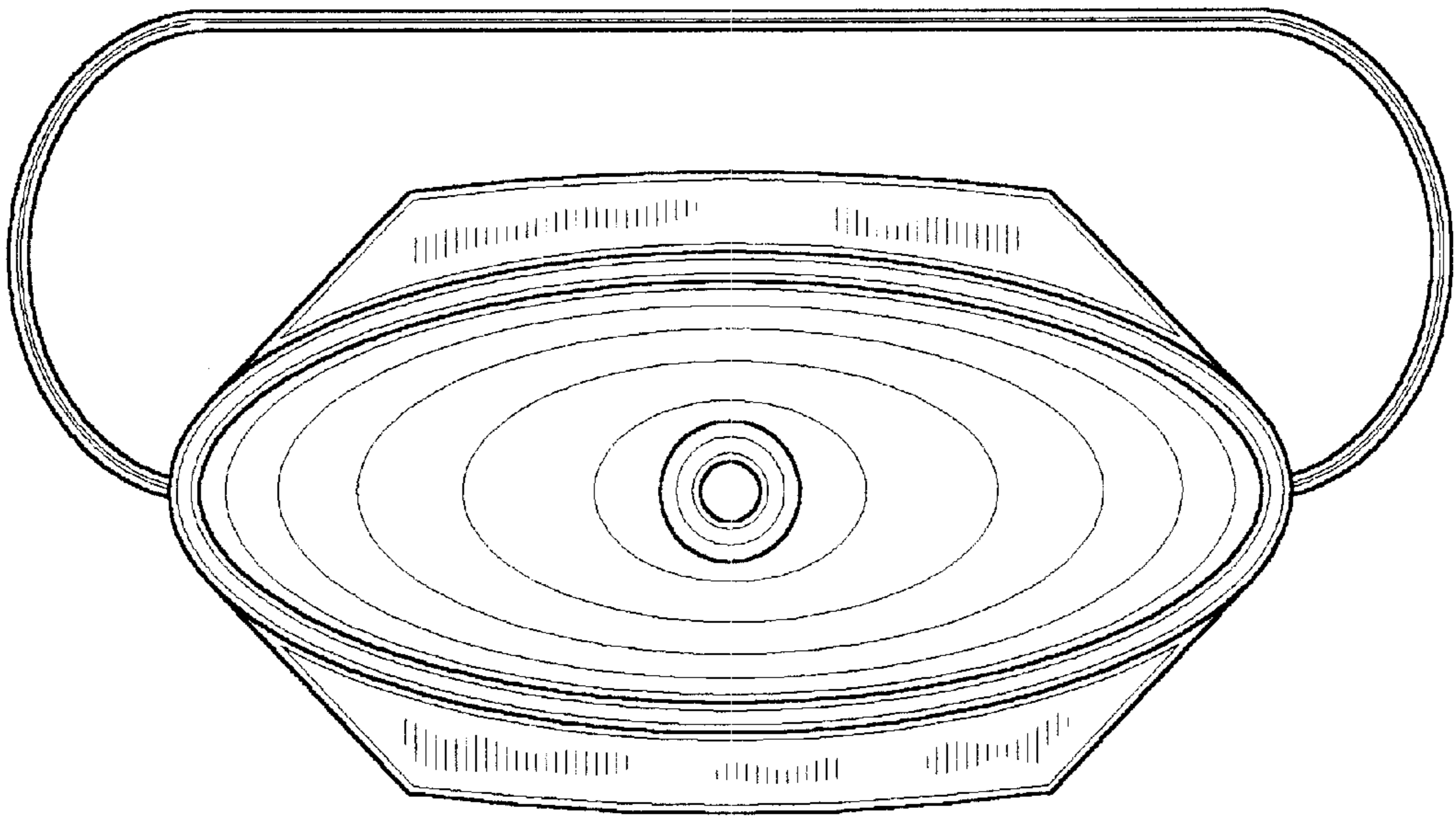


Fig. 5

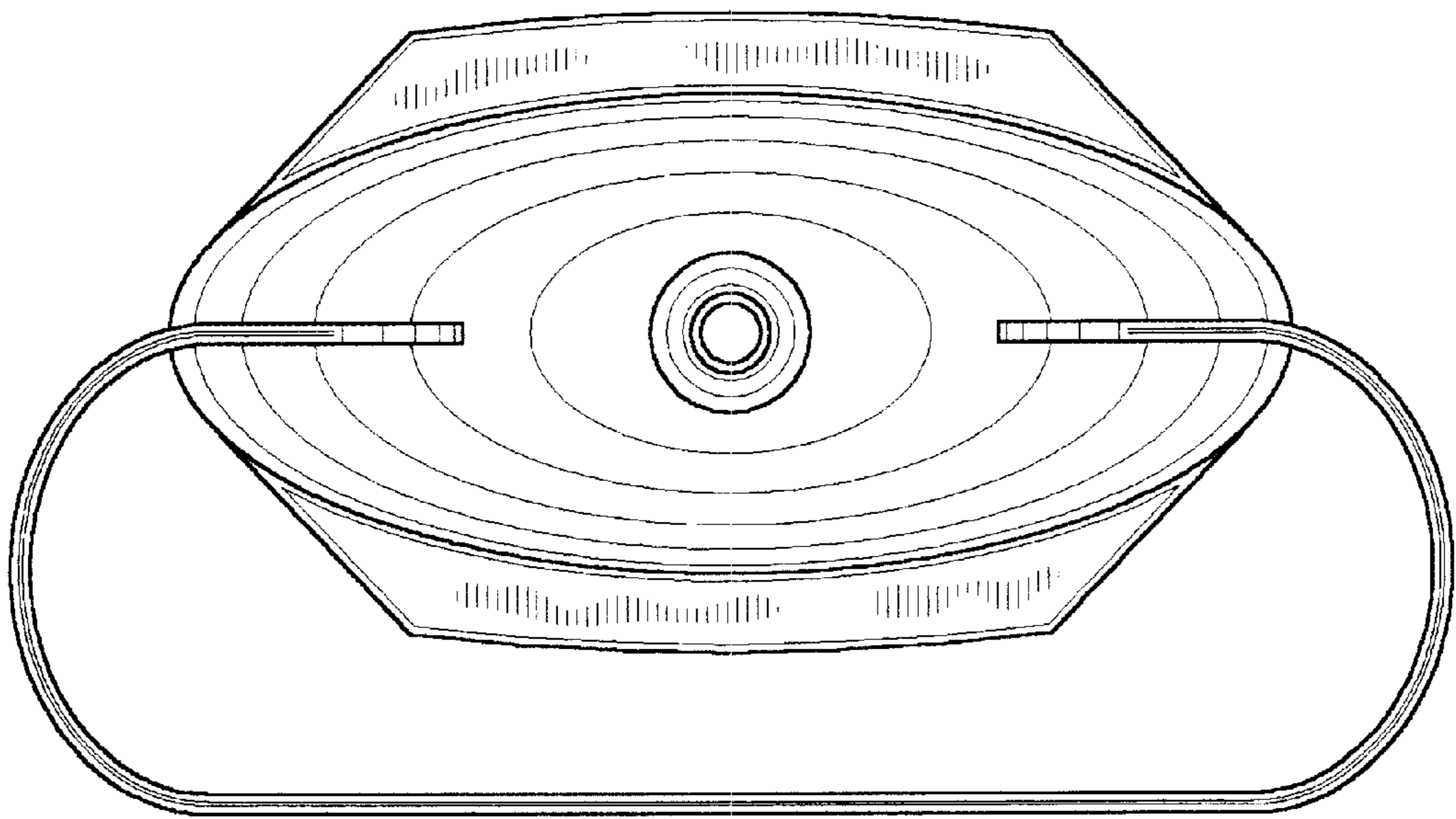


Fig. 6