



US00D418916S

# United States Patent [19] Bastable

[11] **Patent Number: Des. 418,916**

[45] **Date of Patent: \*\* Jan. 11, 2000**

## [54] TUBE SET FOR SURGICAL INSTRUMENT

[75] Inventor: **David Bastable**, Hanover, Mass.

[73] Assignee: **Mentor Ophthalmics, Inc.**, Norwell, Mass.

[\*\*] Term: **14 Years**

[21] Appl. No.: **29/093,656**

[22] Filed: **Sep. 16, 1998**

### Related U.S. Application Data

[63] Continuation of application No. 08/472,884, May 7, 1995, Pat. No. 5,910,110.

[51] **LOC (7) Cl.** ..... **24-02**

[52] **U.S. Cl.** ..... **D24/108; D24/111; D24/112**

[58] **Field of Search** ..... D24/108, 112, D24/111, 107; 604/215, 27, 34, 36, 264, 284, 403, 410, 412, 413, 905, 151, 141, 153; 417/479, 478, 412; 600/378, 399

### [56] References Cited

#### U.S. PATENT DOCUMENTS

D. 326,910	6/1992	Di Palma et al.	.....	D24/111
D. 354,347	1/1995	Knute et al.	.....	D24/108
D. 407,815	4/1999	Piontek et al.	.....	D24/108
3,659,607	5/1972	Banko	.....	128/305
3,693,613	9/1972	Kelman	.....	128/24 A
3,732,858	5/1973	Banko	.....	128/2 B
3,901,231	8/1975	Olson	.....	128/214 F
4,016,882	4/1977	Broadwin et al.	.....	128/305

(List continued on next page.)

#### FOREIGN PATENT DOCUMENTS

0 095 926	12/1983	European Pat. Off.	.....	A61F 9/00
0 180 317	5/1986	European Pat. Off.	.....	A61M 1/00
0 559 602 A2	9/1993	European Pat. Off.	.....	A61M 1/00
35 39 955	5/1987	Germany	.....	G05D 16/18
2132893	7/1984	United Kingdom	.....	A61B 17/39
WO 93/24082	12/1993	WIPO	.....	A61F 9/00
WO 93/24817	12/1993	WIPO	.....	G01L 19/00

## OTHER PUBLICATIONS

Site Microsurgical, "Site TXR® Is Your Total Surgical Phaco System" advertisement, Horsham, Pennsylvania, Nov., 1990, four pages.

Surgical Design Corporation, "Surgical Design Ocusystem II" brochure, New York, New York, Nov., 1990, four pages.

Mentor O&O, Inc., "Phaco made simple" brochure, Norwell, MA, 1991, three pages.

Alcon® Surgical, Inc., "Series Ten Thousand Master Cataract System" advertisement, Fort Worth, Texas, 1989, two pages.

Dutch Ophthalmic Research Center bv, "Harmony Micro Surgical System for Anterior and Posterior Segment Surgery" brochure, Holland, Nov., 1990, eight pages.

(List continued on next page.)

*Primary Examiner*—Stella Reid

*Assistant Examiner*—I Simmons

*Attorney, Agent, or Firm*—Fish & Richardson P.C.

## [57] CLAIM

The ornamental design for a tube set for surgical instrument, as shown and described.

## DESCRIPTION

FIG. 1 is a perspective view of a tube set for surgical instrument embodying the new design.

FIG. 2 is a top plan view of the tube set for surgical instrument of FIG. 1.

FIG. 3 is a bottom plan view of the tube set for surgical instrument of FIG. 1.

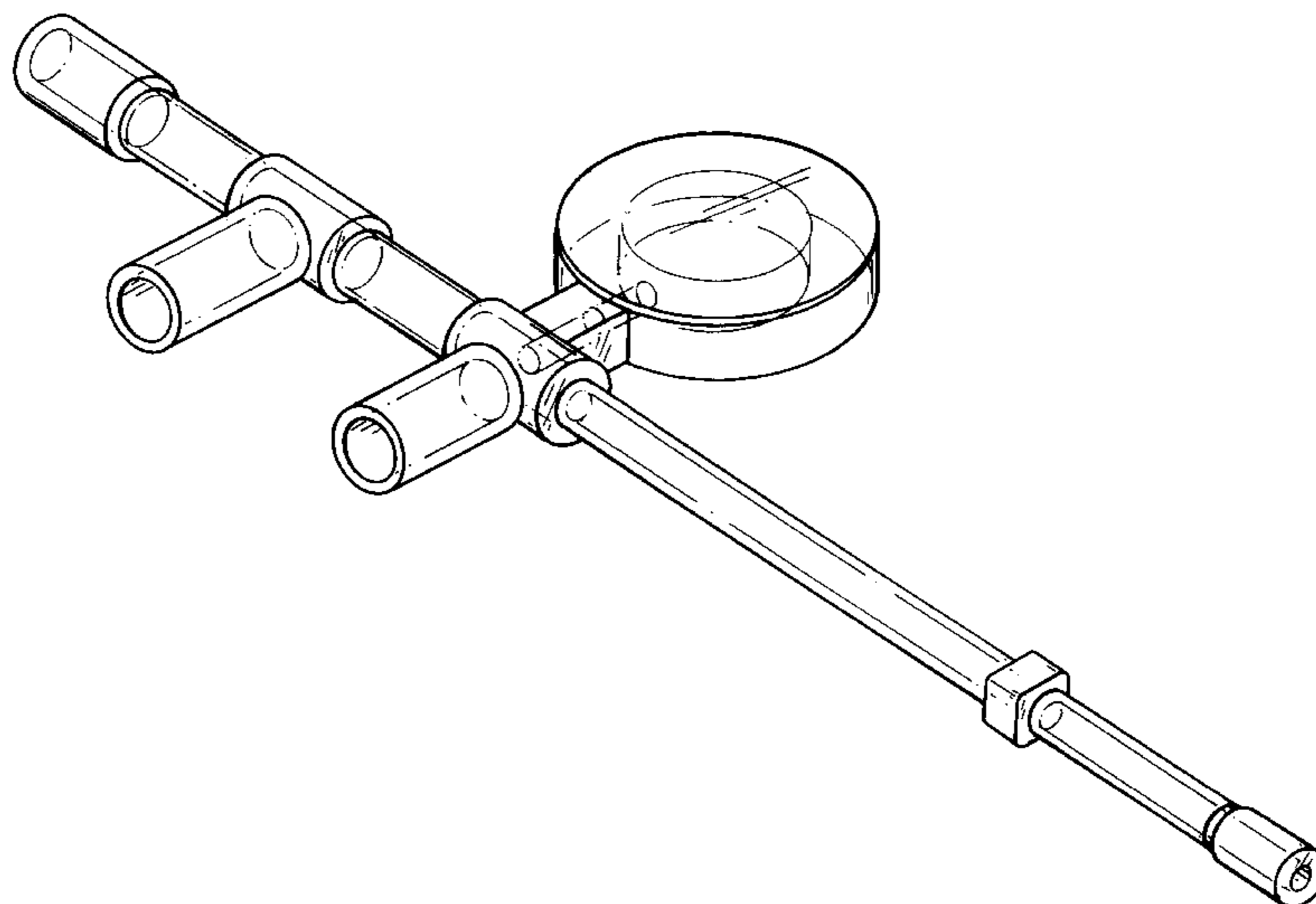
FIG. 4 is an elevational view of one side of the tube set for surgical instrument of FIG. 1.

FIG. 5 is an elevational view of the other side of the tube set for surgical instrument of FIG. 1.

FIG. 6 is a front elevational view of the tube set for surgical instrument of FIG. 1; and,

FIG. 7 is a rear elevational view of the tube set for surgical instrument of FIG. 1.

**1 Claim, 3 Drawing Sheets**



U.S. PATENT DOCUMENTS

4,168,707	9/1979	Douvas et al. ....	128/276
4,184,510	1/1980	Murry et al. ....	137/565
4,190,059	2/1980	Holt .....	128/750
4,227,420	10/1980	Lamadrid .....	73/756
4,315,520	2/1982	Atkinson et al. ....	137/82
4,395,258	7/1983	Wang et al. ....	604/65
4,428,748	1/1984	Peyman et al. ....	604/22
4,517,963	5/1985	Michel .....	128/6
4,705,500	11/1987	Reimels et al. ....	604/35
4,757,814	7/1988	Wang et al. ....	128/318
4,764,165	8/1988	Reimels et al. ....	604/35
4,817,599	4/1989	Drews .....	128/303 R
4,921,477	5/1990	Davis .....	604/22
4,993,265	2/1991	Koen et al. ....	73/706
5,026,387	6/1991	Thomas .....	606/169
5,053,002	10/1991	Barlow .....	604/30
5,157,603	10/1992	Scheller et al. ....	364/413.01
5,188,102	2/1993	Idemoto et al. ....	128/24 AA

5,209,719	5/1993	Baruch et al. ....	604/22
5,211,625	5/1993	Sakurai et al. ....	604/22
5,242,404	9/1993	Conley et al. ....	604/119
5,335,551	8/1994	Ohnishi et al. ....	73/731
5,372,709	12/1994	Hood .....	210/90
5,520,652	5/1996	Peterson .....	604/119
5,580,347	12/1996	Reimels .....	604/30

OTHER PUBLICATIONS

Staar® Surgical Company, "Phaco XL™" instrument advertisement, Monrovia, California, Dec., 1991, one page.

Allergan Medical Optics, "Man and His Machines. The Perfect Partnership" PhacoPlus® brochure, Irvine, CA, 1990, seven pages.

United Surgical, "Incisions that Start Small Should Stay Small" PhacoMates<sup>SM</sup> brochure, Irvine, California, 1989, four pages.

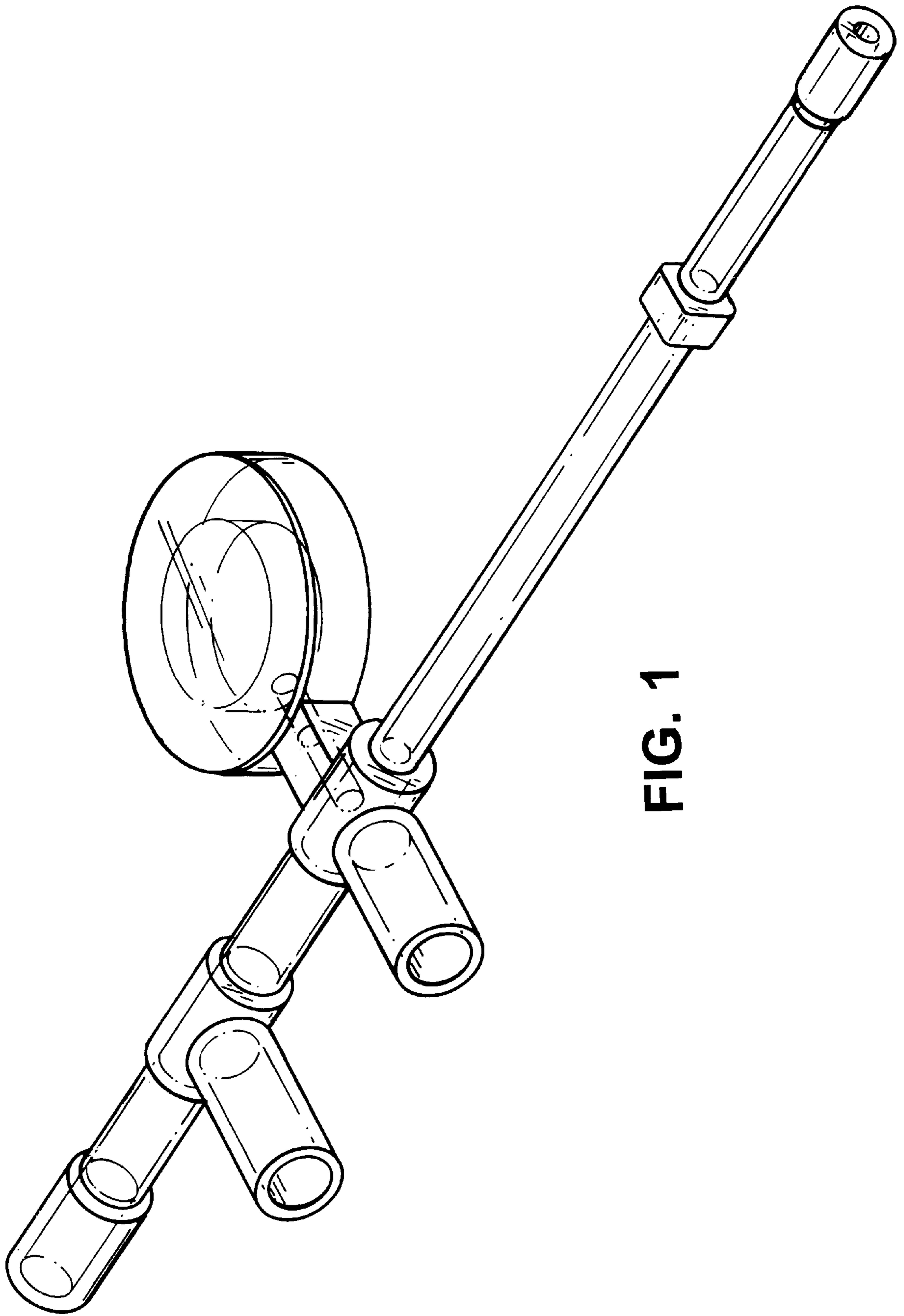


FIG. 1

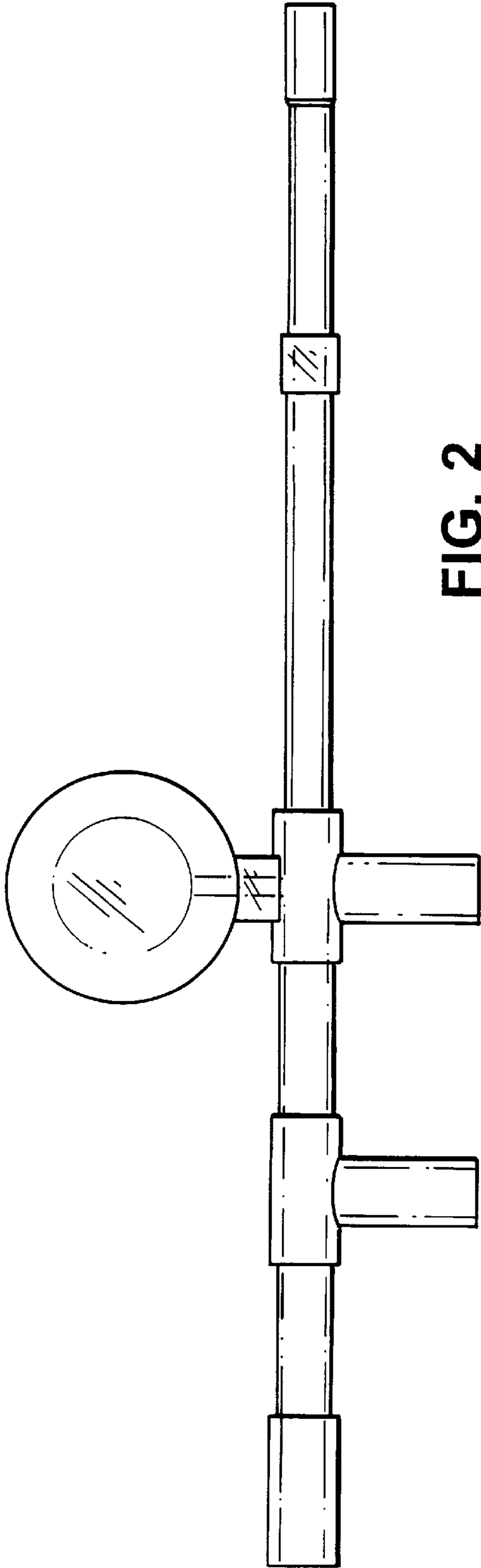


FIG. 2

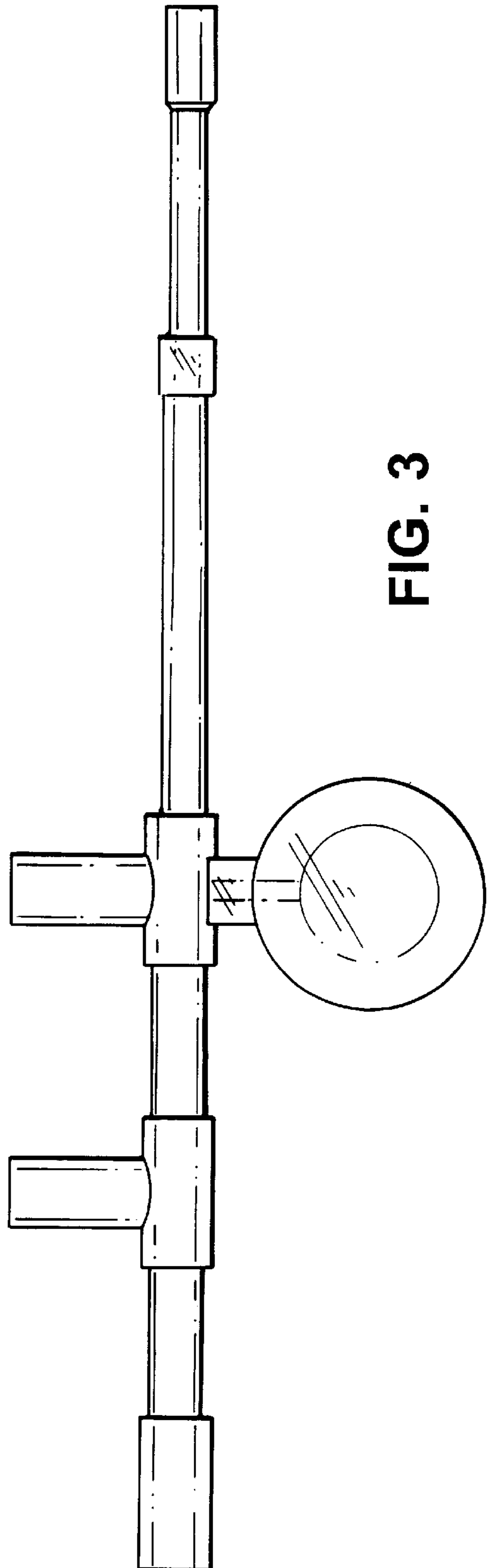


FIG. 3



FIG. 4

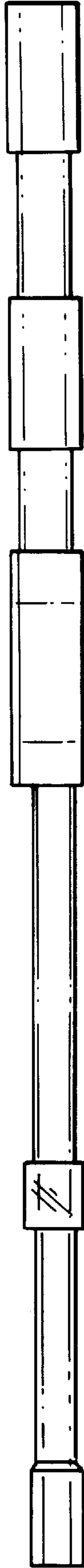


FIG. 5



FIG. 6

FIG. 7