



US00D418914S

United States Patent [19]
Zuege

[11] **Patent Number: Des. 418,914**
[45] **Date of Patent: ** Jan. 11, 2000**

[54] **COMBINED DOWNROD, BLADE IRONS, MOTOR HOUSING AND LIGHT FIXTURE UNIT FOR A CEILING FAN**

Attorney, Agent, or Firm—Garrison, Morris & Haight, PLLC

[75] Inventor: **Bradford C. Zuege**, Memphis, Tenn.

[57] **CLAIM**

[73] Assignee: **Hunter Fan Company**, Memphis, Tenn.

The ornamental design for a combined downrod, blade irons, motor housing and light fixture unit for a ceiling fan, as shown and described.

[**] Term: **14 Years**

DESCRIPTION

[21] Appl. No.: **29/103,887**

FIG. 1 is a perspective view of a combined downrod, blade irons, motor housing and light fixture unit for a ceiling fan showing my new design;

[22] Filed: **Apr. 23, 1999**

FIG. 2 is an enlarged perspective view of the design shown in FIG. 1 with the environmental structure removed therefrom;

[51] **LOC (7) Cl. 23-04**

[52] **U.S. Cl. D23/411; D23/377; D23/379; D23/385; D26/59; D26/80**

FIG. 3 is a front view of FIG. 2;

[58] **Field of Search D23/377, 379, D23/385, 411; D26/59, 51, 72, 73, 81-86, 80; 416/5; 392/364; 362/96**

FIG. 4 is a right-side view of FIG. 2;

FIG. 5 is a rear view of FIG. 2;

FIG. 6 is a left-side view of FIG. 2;

FIG. 7 is a top view of FIG. 2; and,

FIG. 8 is a bottom view of FIG. 2.

[56] **References Cited**

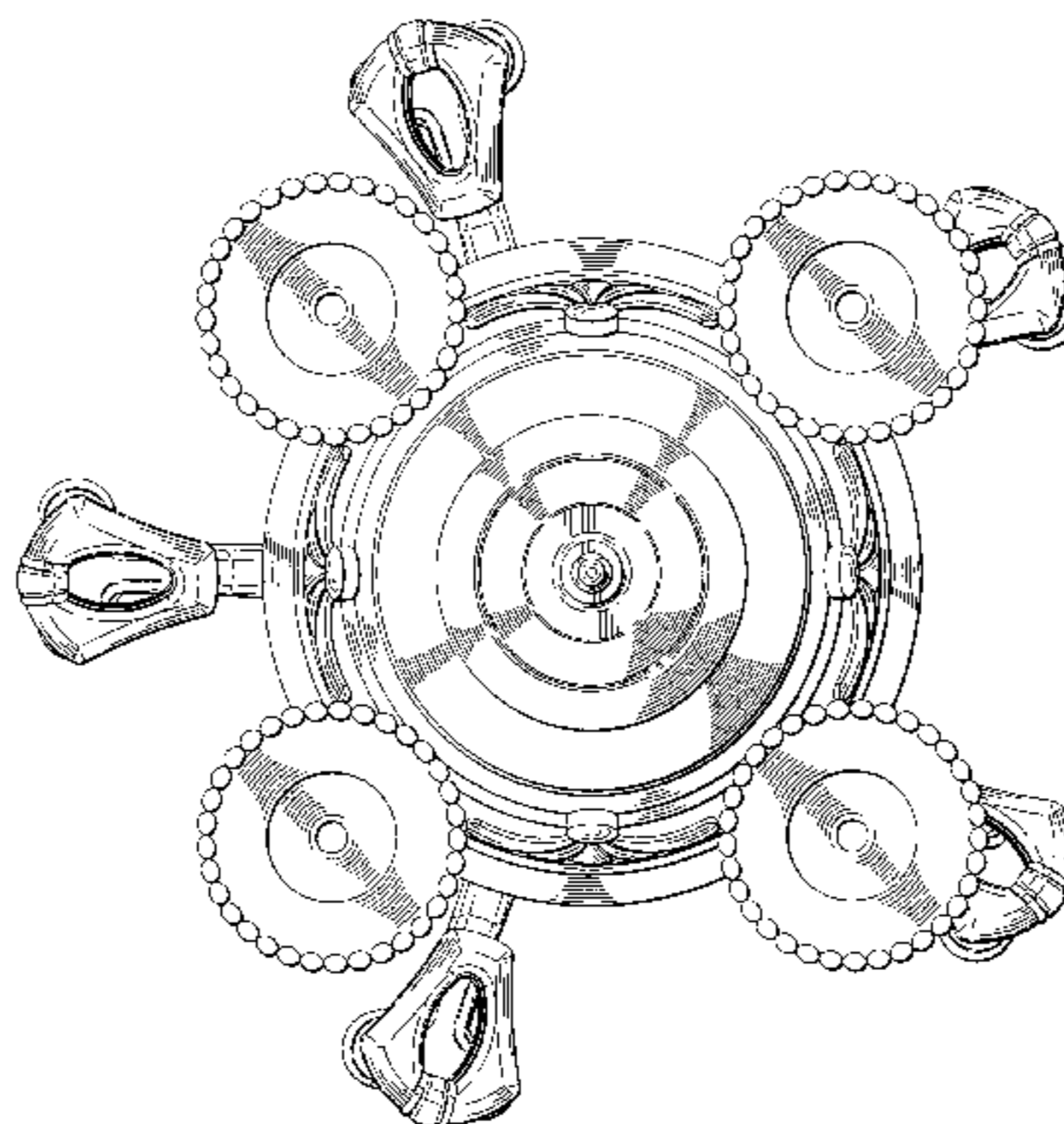
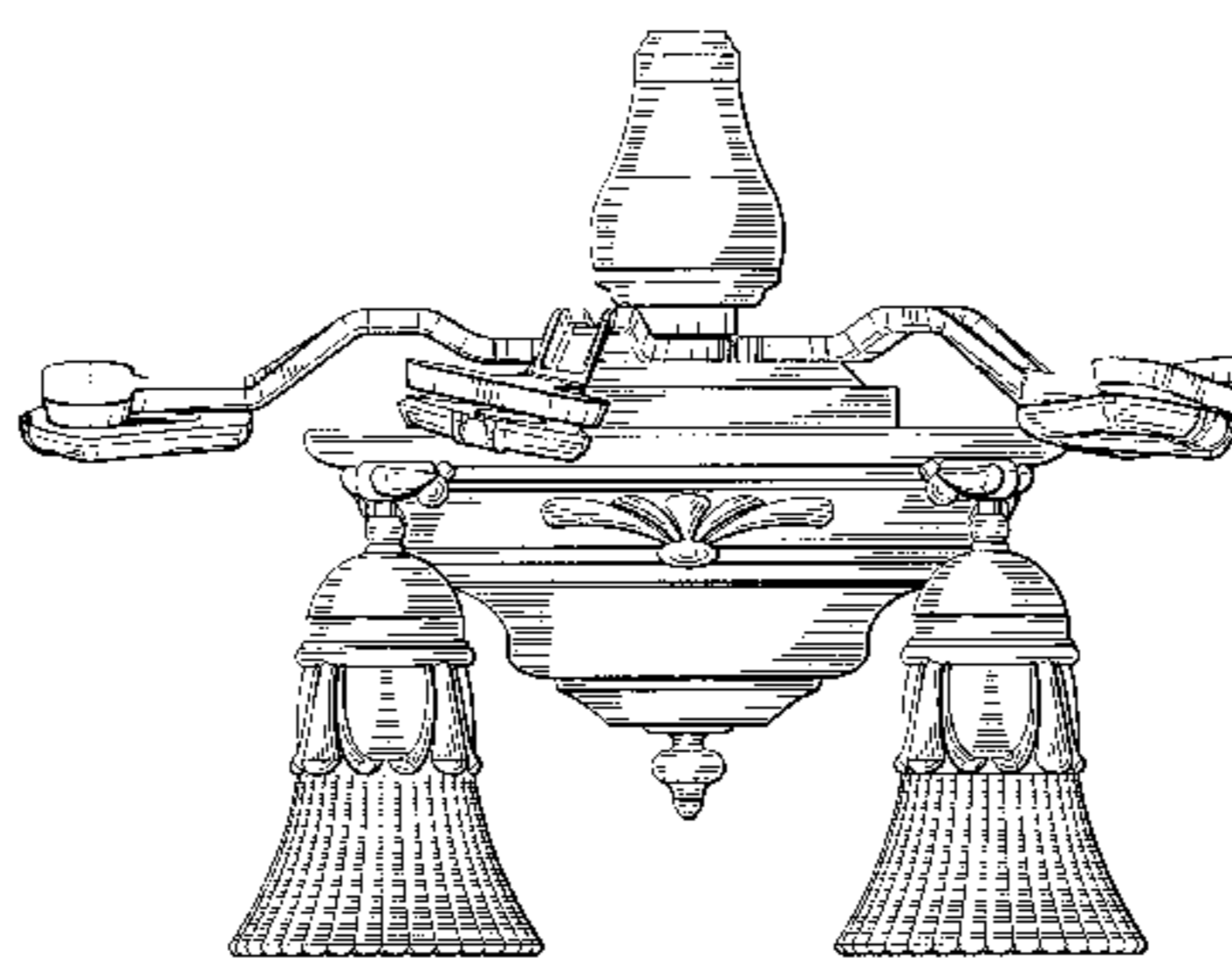
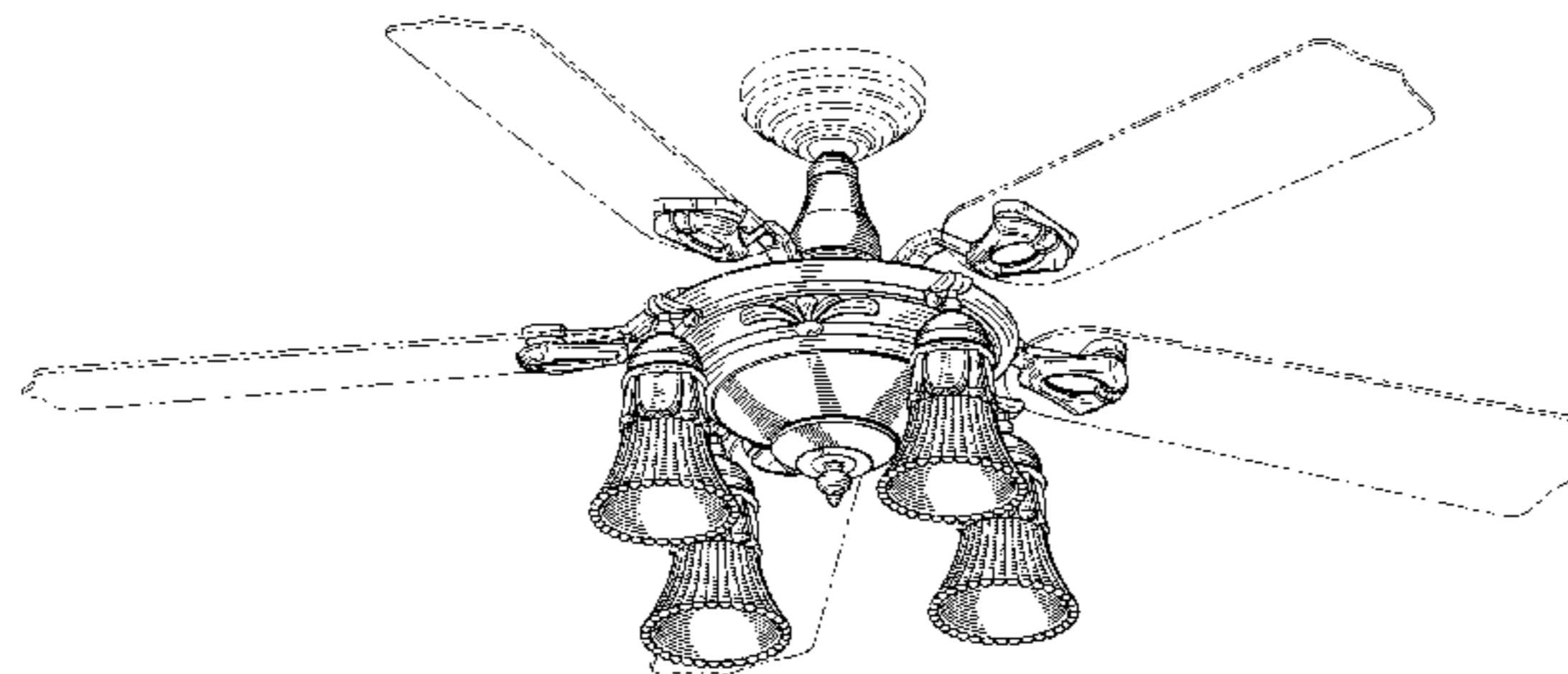
U.S. PATENT DOCUMENTS

- D. 314,046 1/1991 Yen D23/377
- D. 382,954 8/1997 Liu D23/377

The broken line showing of enviromental structure shown in FIG. 1 is for illustrative purposes only and forms no part of the claimed design.

Primary Examiner—Lisa Lichtenstein

1 Claim, 8 Drawing Sheets



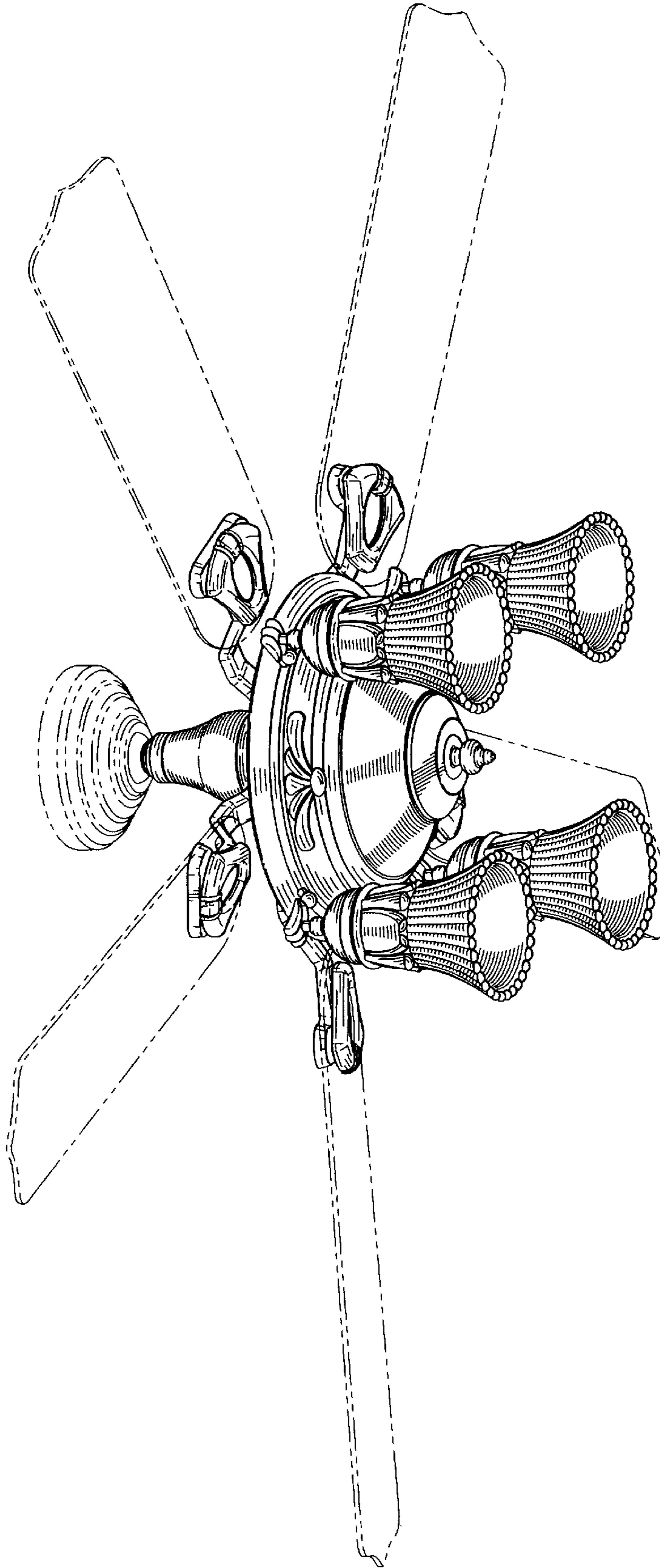


FIG 1

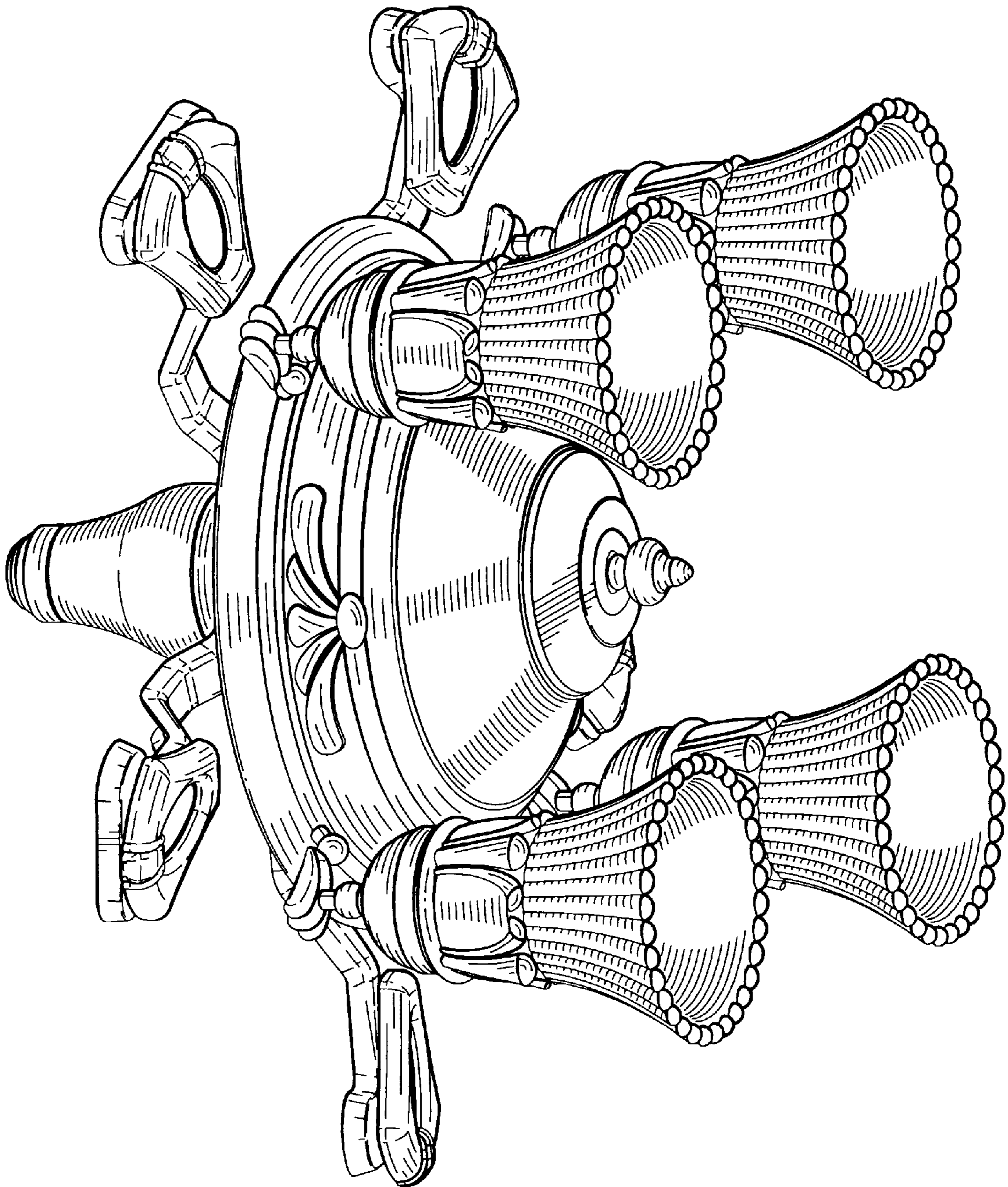


FIG 2

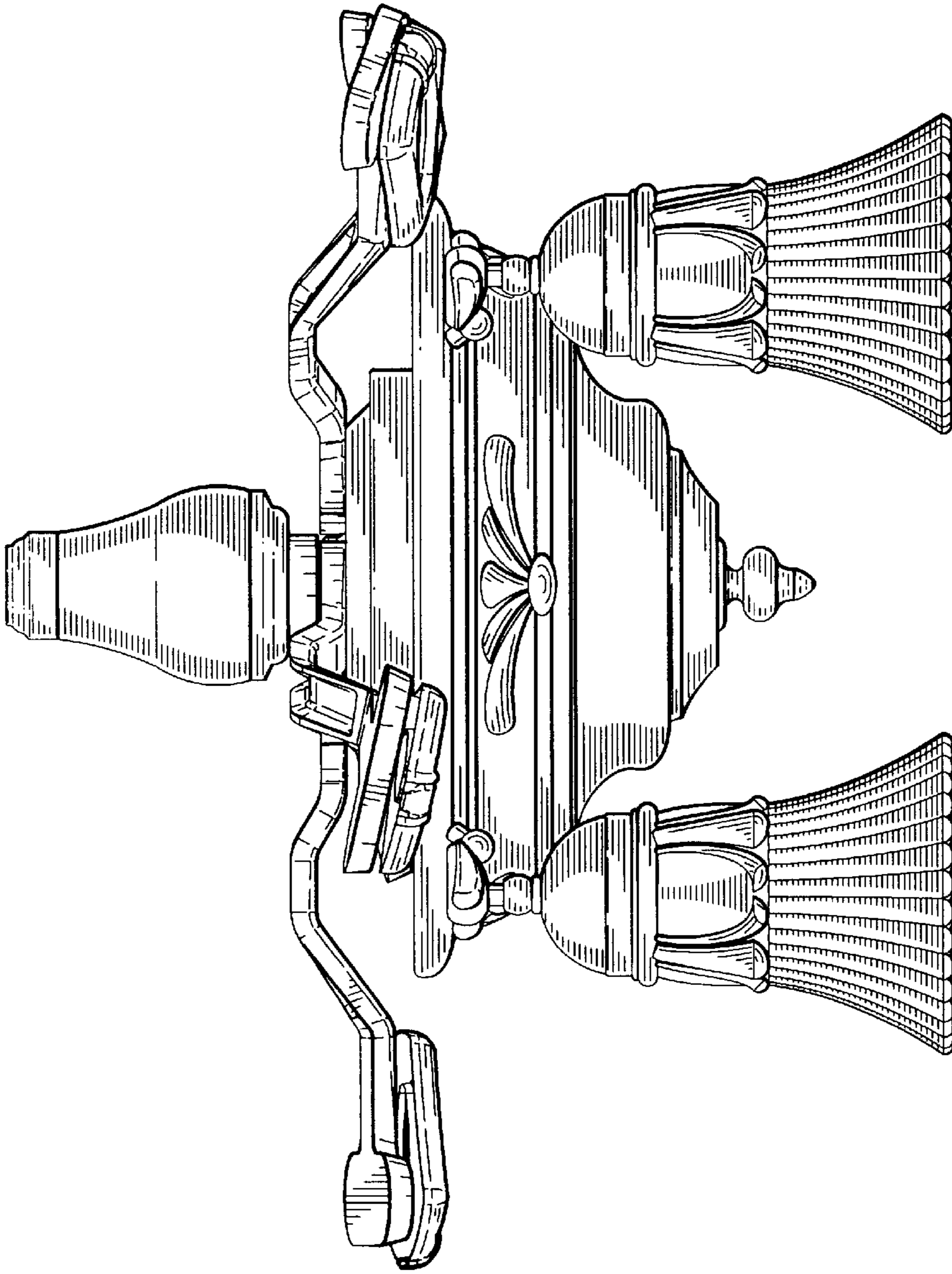


FIG 3

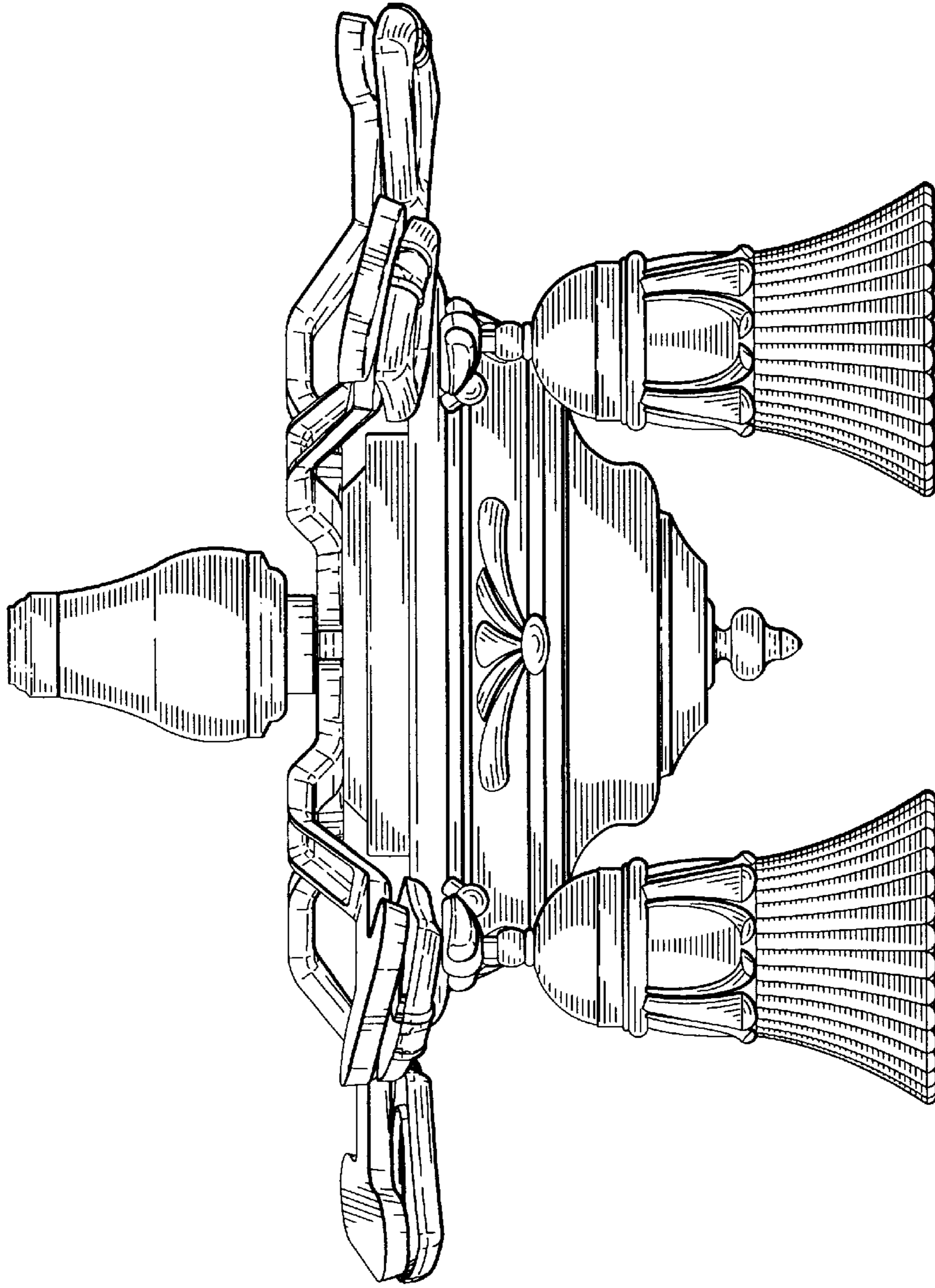


FIG 4

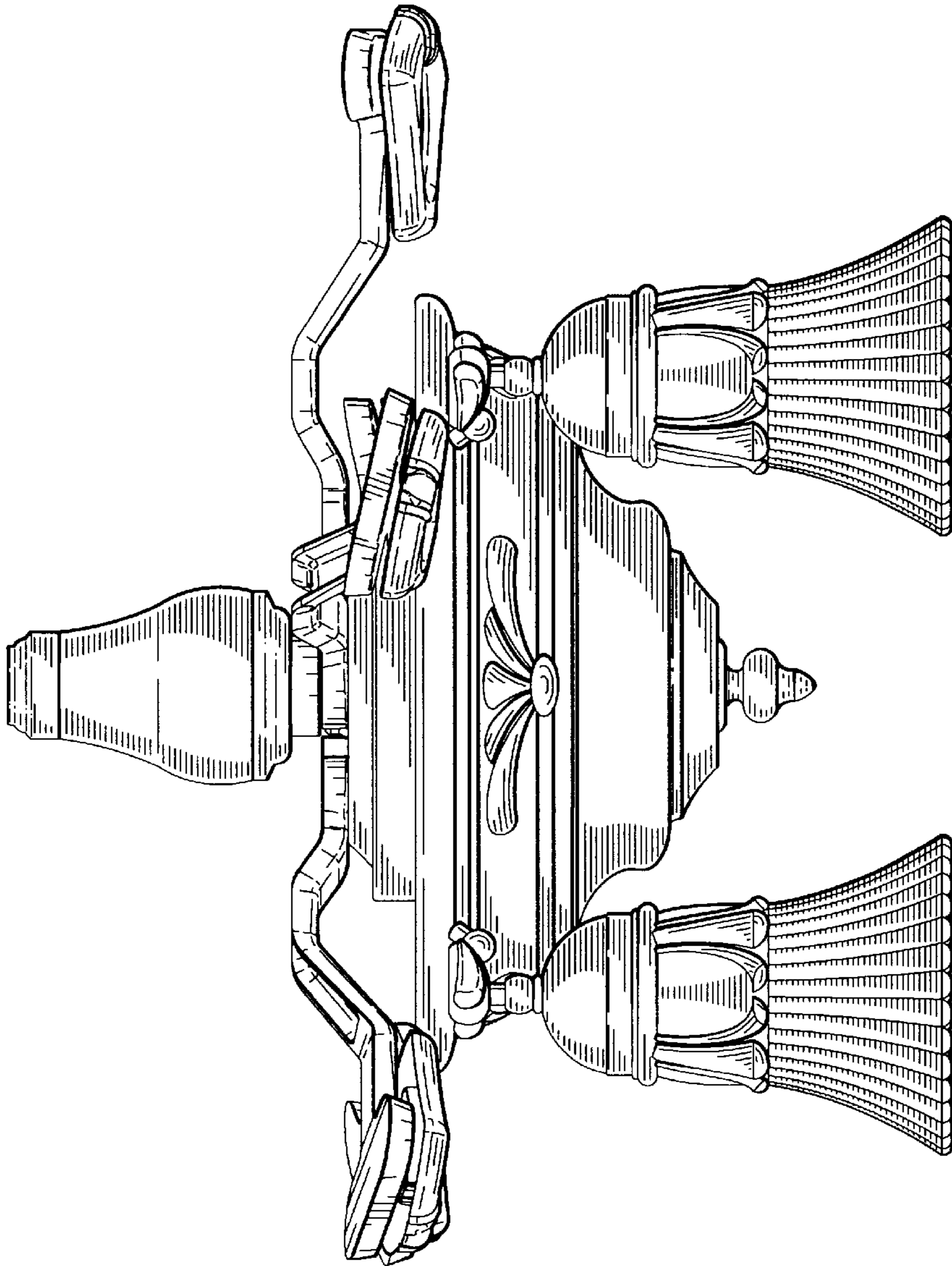


FIG 5

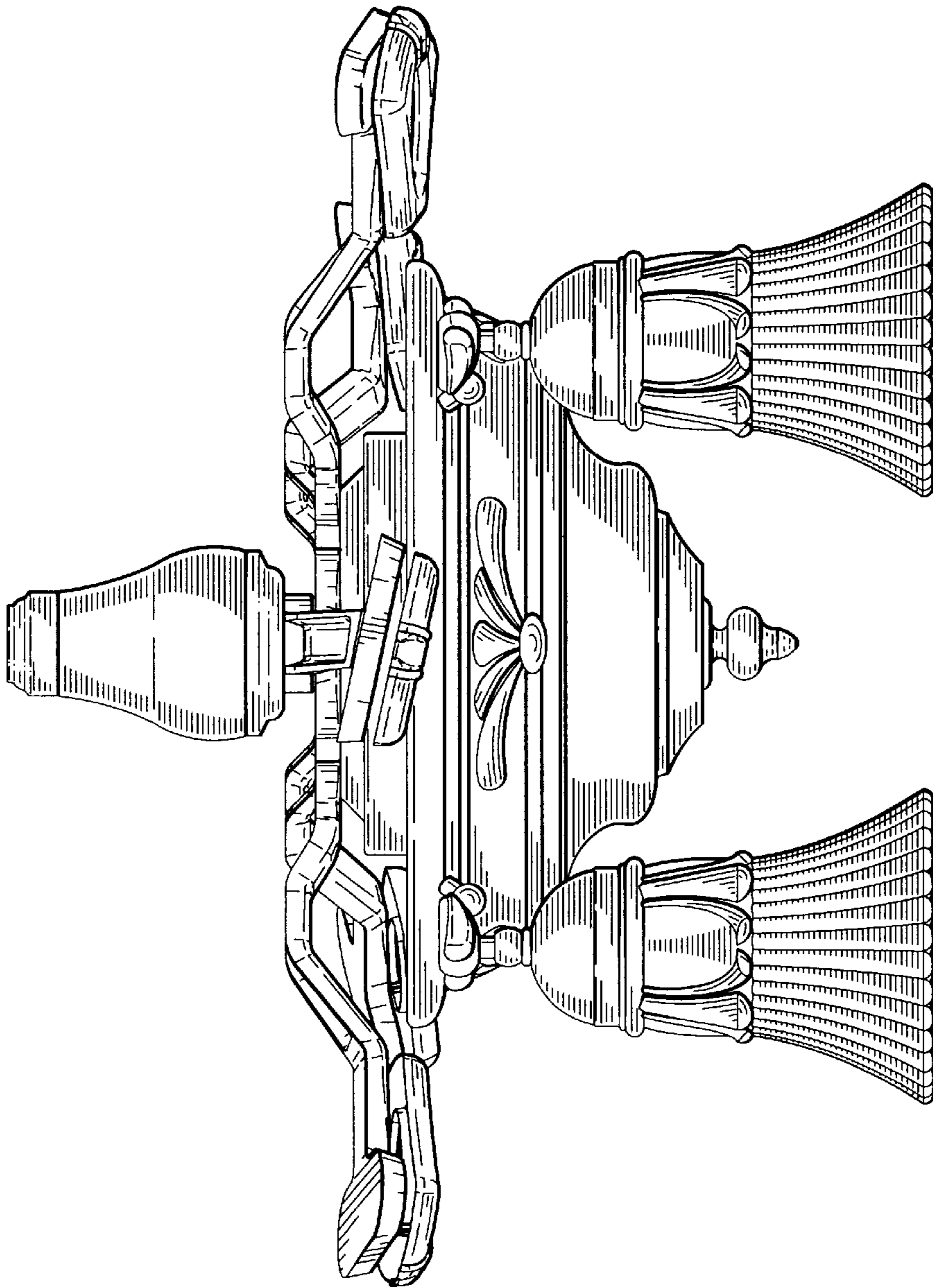


FIG 6

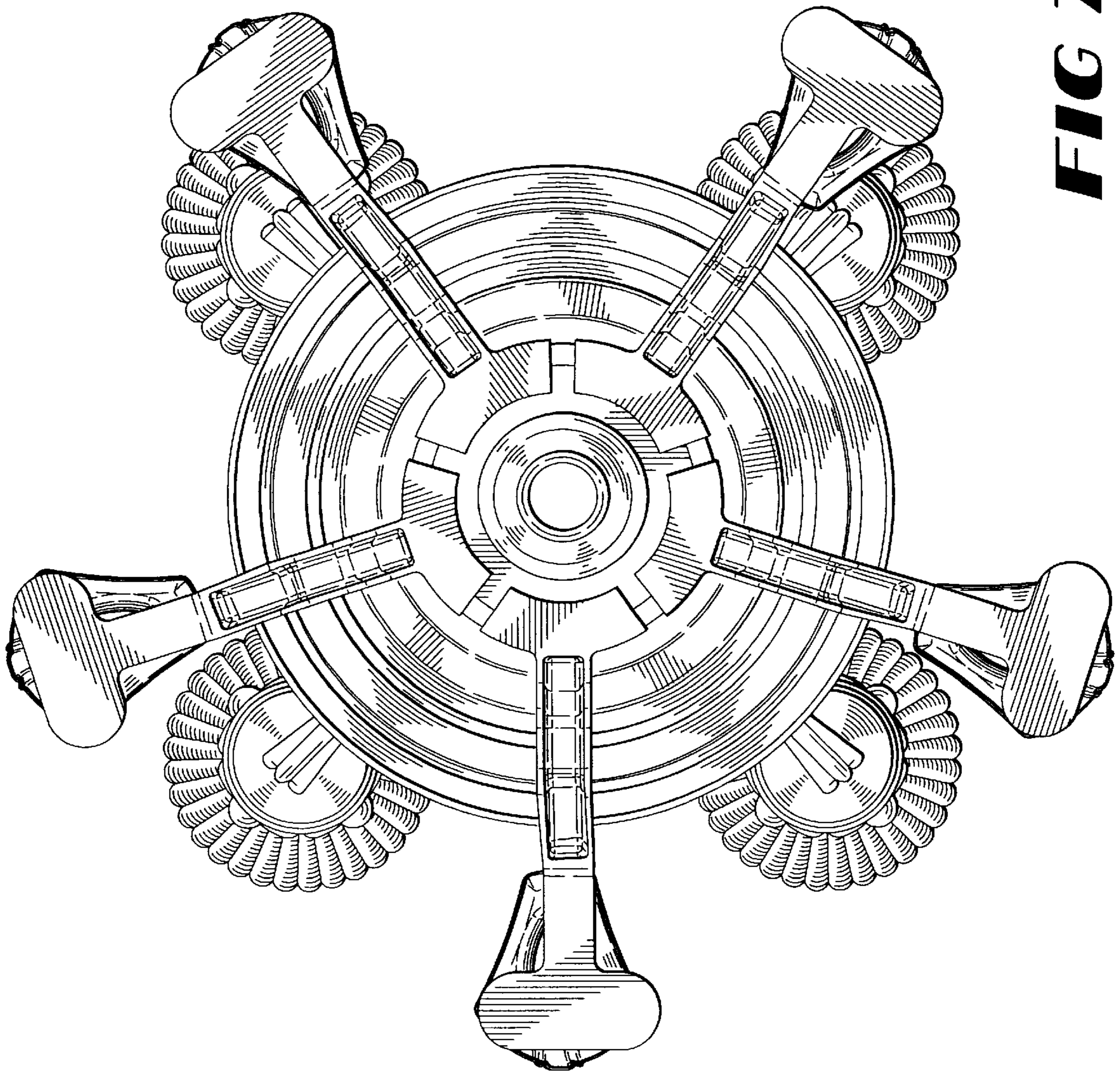


FIG 7

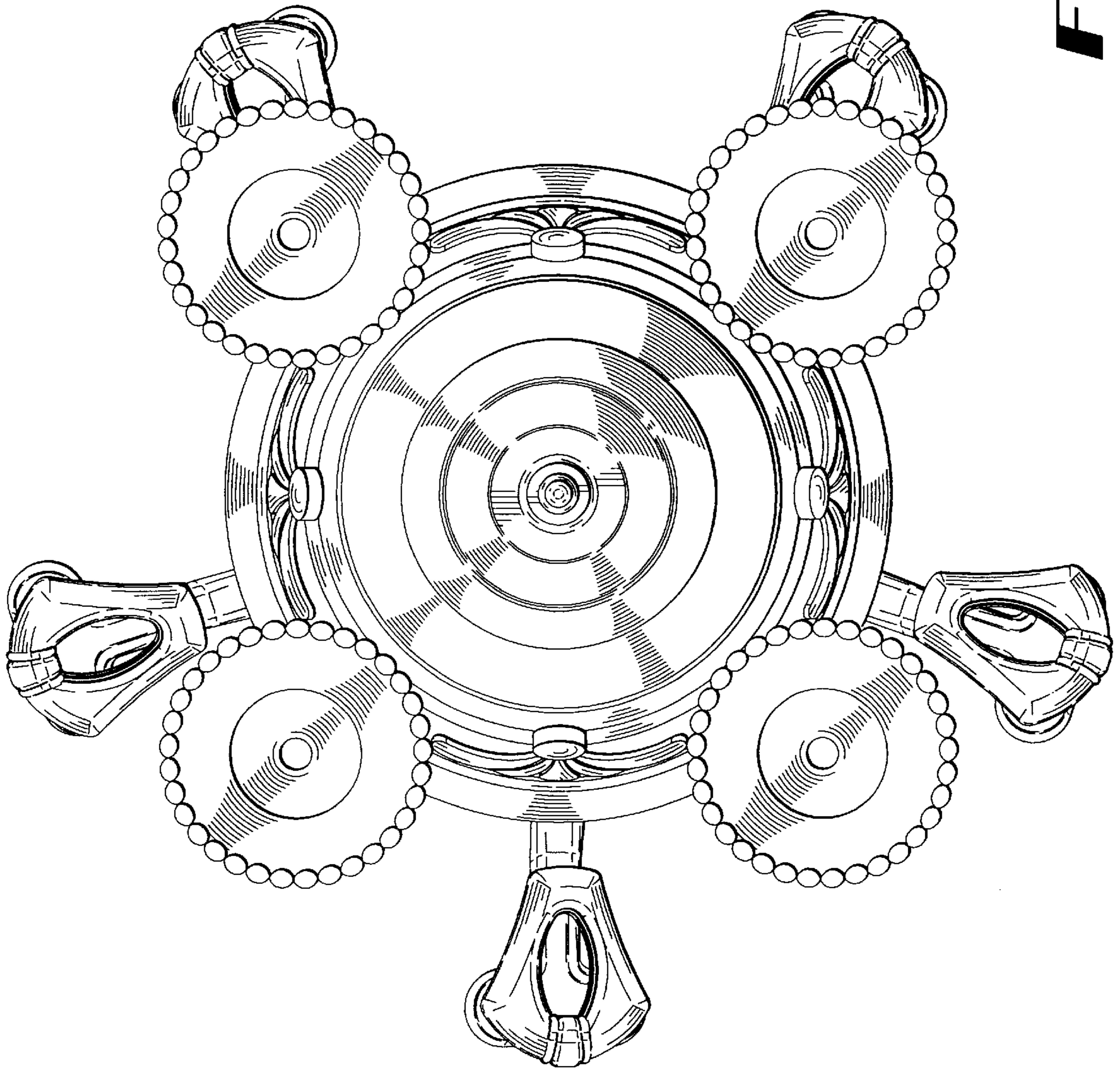


FIG 8