



US00D418912S

# United States Patent [19] LaSpina

[11] **Patent Number: Des. 418,912**

[45] **Date of Patent: \*\* Jan. 11, 2000**

[54] **CEILING FAN**

D. 405,172 2/1999 Laspina et al. .... D23/377

[75] Inventor: **Alfred J. LaSpina**, Methuen, Mass.

*Primary Examiner*—Lisa Lichtenstein  
*Attorney, Agent, or Firm*—Robert B. Leonard

[73] Assignee: **Honeywell Inc.**, Minneapolis, Minn.

[\*\*] Term: **14 Years**

[57] **CLAIM**

[21] Appl. No.: **29/104,614**

The ornamental design for a ceiling fan, as shown and described.

[22] Filed: **May 7, 1999**

**DESCRIPTION**

**Related U.S. Application Data**

[62] Division of application No. 29/093,514, Sep. 11, 1998.

FIG. 1 is a perspective view of a ceiling fan, showing my new design;

[51] **LOC (7) Cl.** ..... **23-04**

FIG. 2 is a front elevational view of the ceiling fan shown in FIG. 1, the opposite and adjacent sides being substantially mirror images of the front elevational view.

[52] **U.S. Cl.** ..... **D23/377; D23/385; D23/379**

[58] **Field of Search** ..... D23/377, 379,  
D23/385, 411, 413; D26/59, 51, 81-86,  
72; 416/5; 392/364; 362/96

FIG. 3 is a top plan view of the ceiling fan shown in FIG. 1; and,

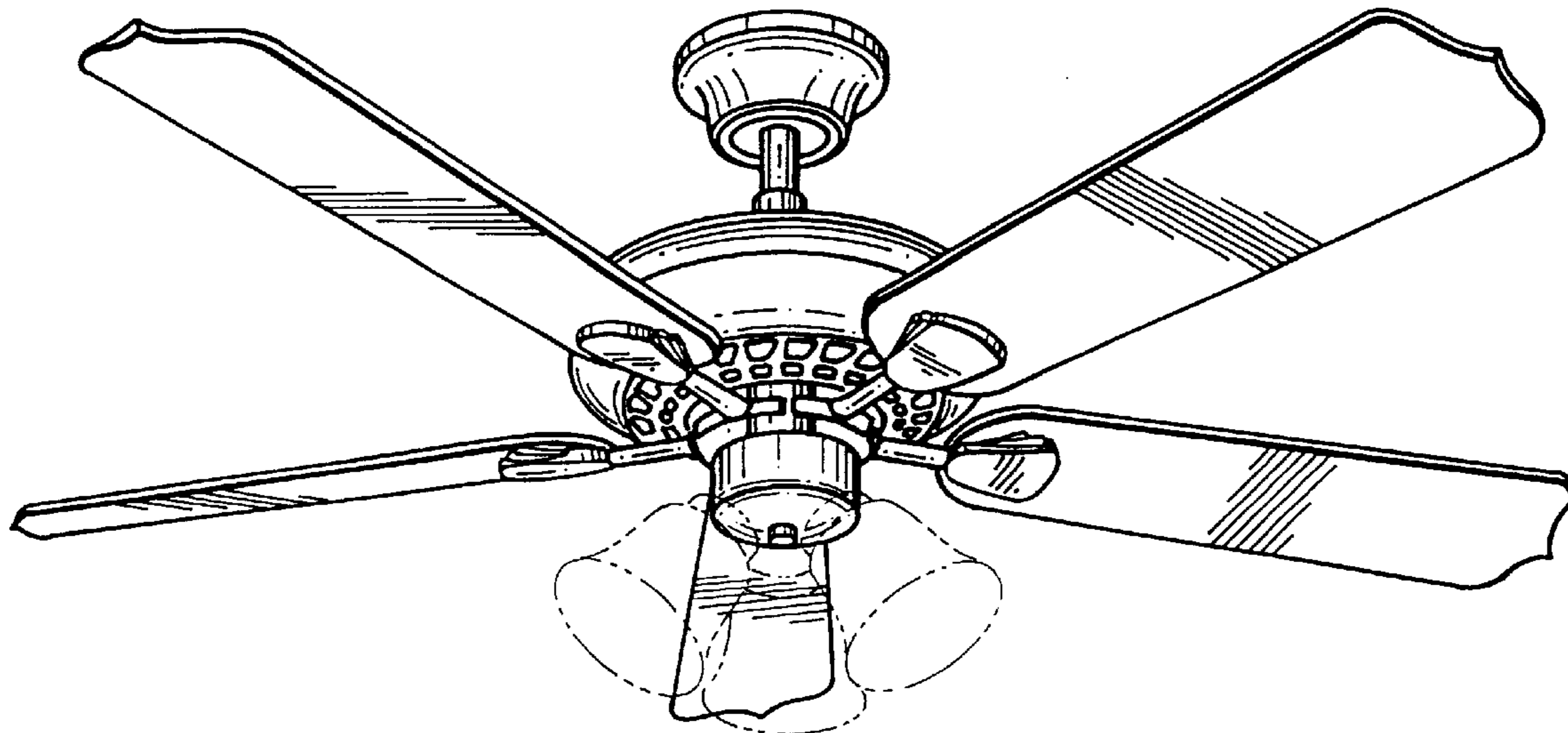
FIG. 4 is a bottom plan view of the ceiling fan shown in FIG. 1.

[56] **References Cited**

**U.S. PATENT DOCUMENTS**

D. 349,337 8/1994 Tsuji ..... D23/377

**1 Claim, 4 Drawing Sheets**



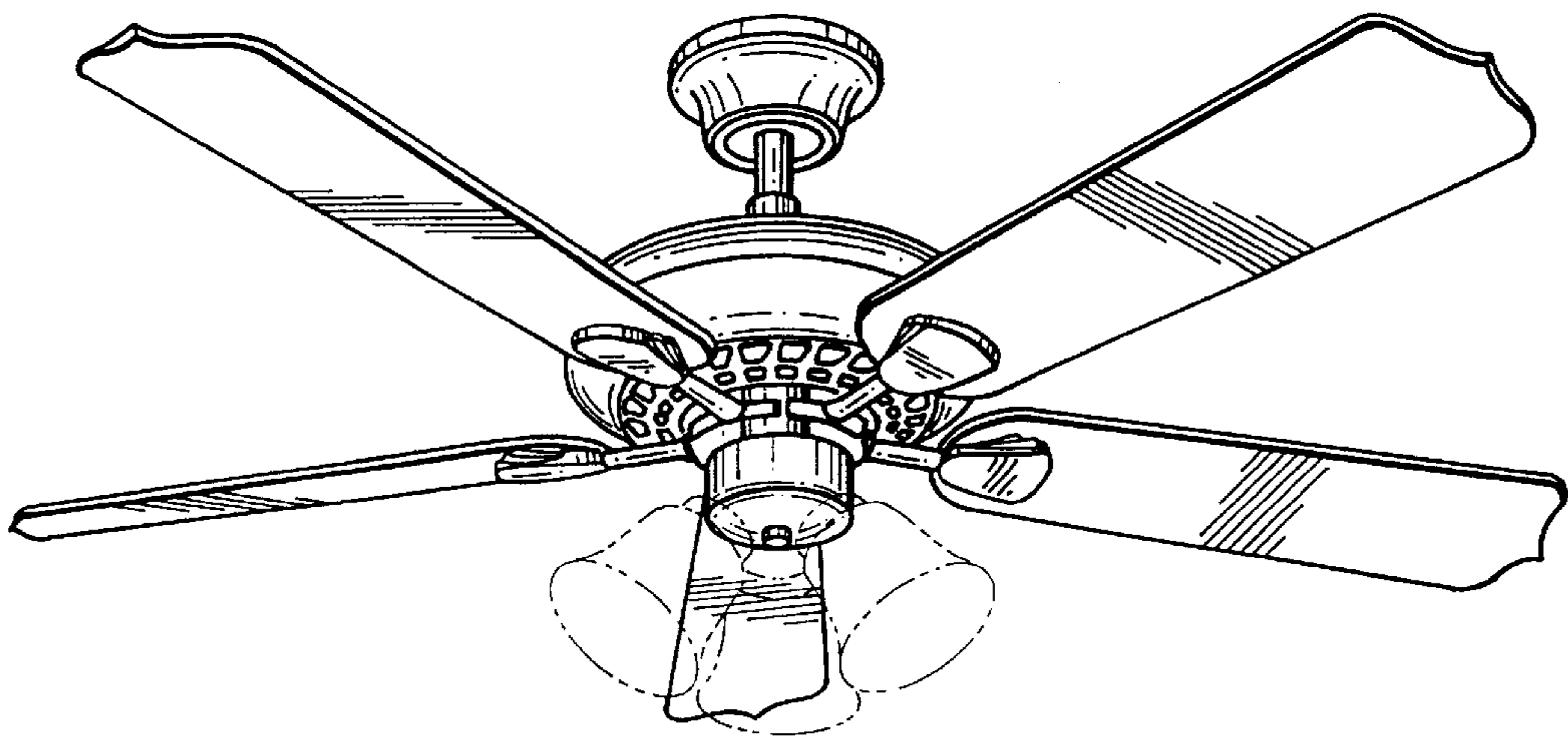


FIG. 1

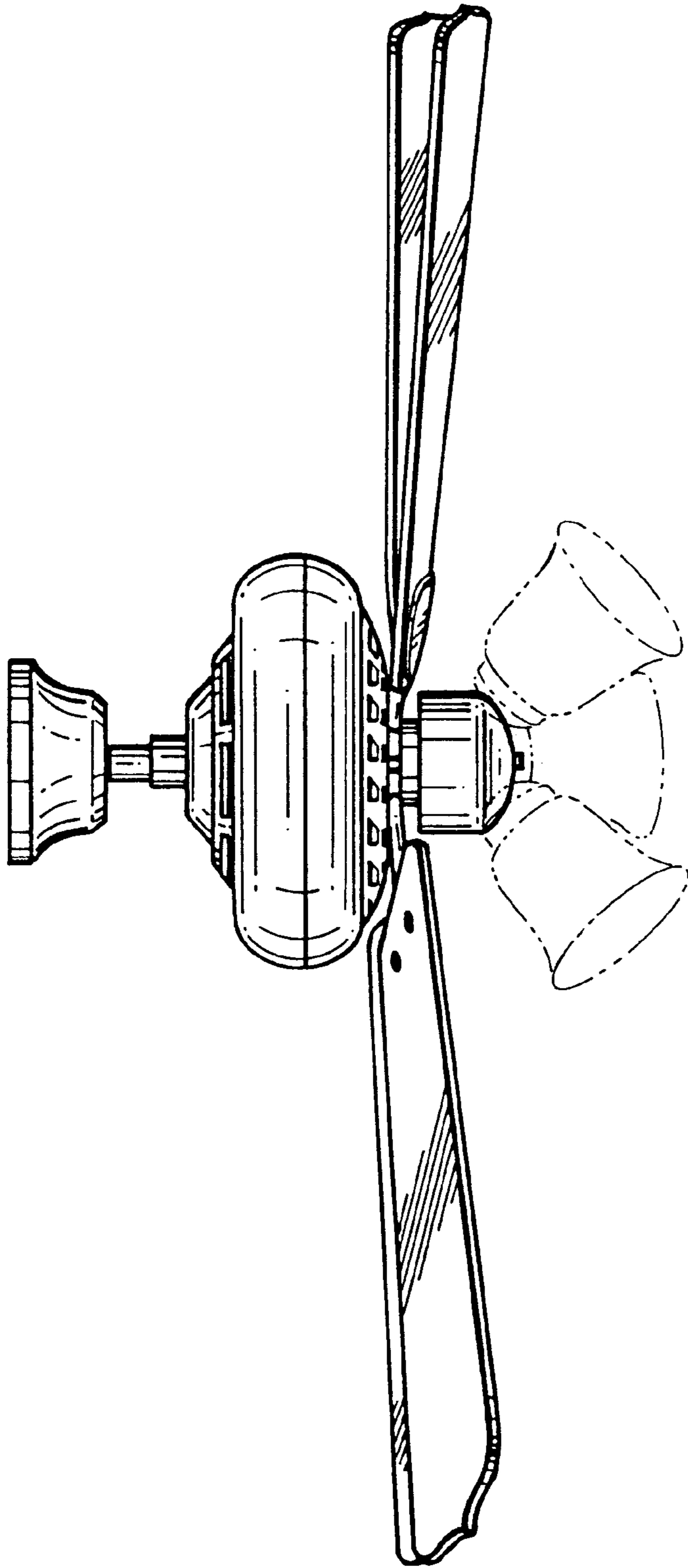


FIG. 2

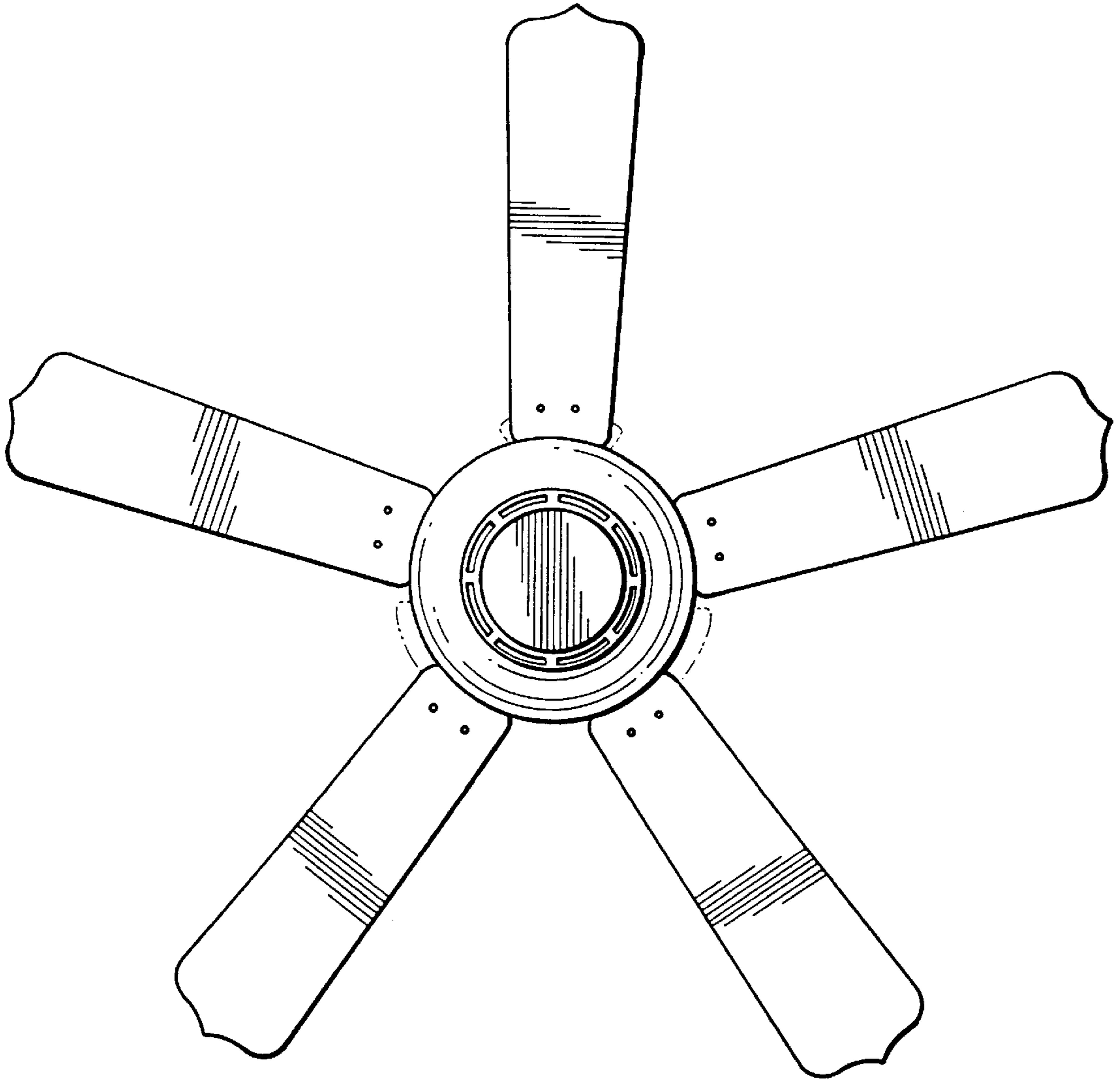


FIG. 3

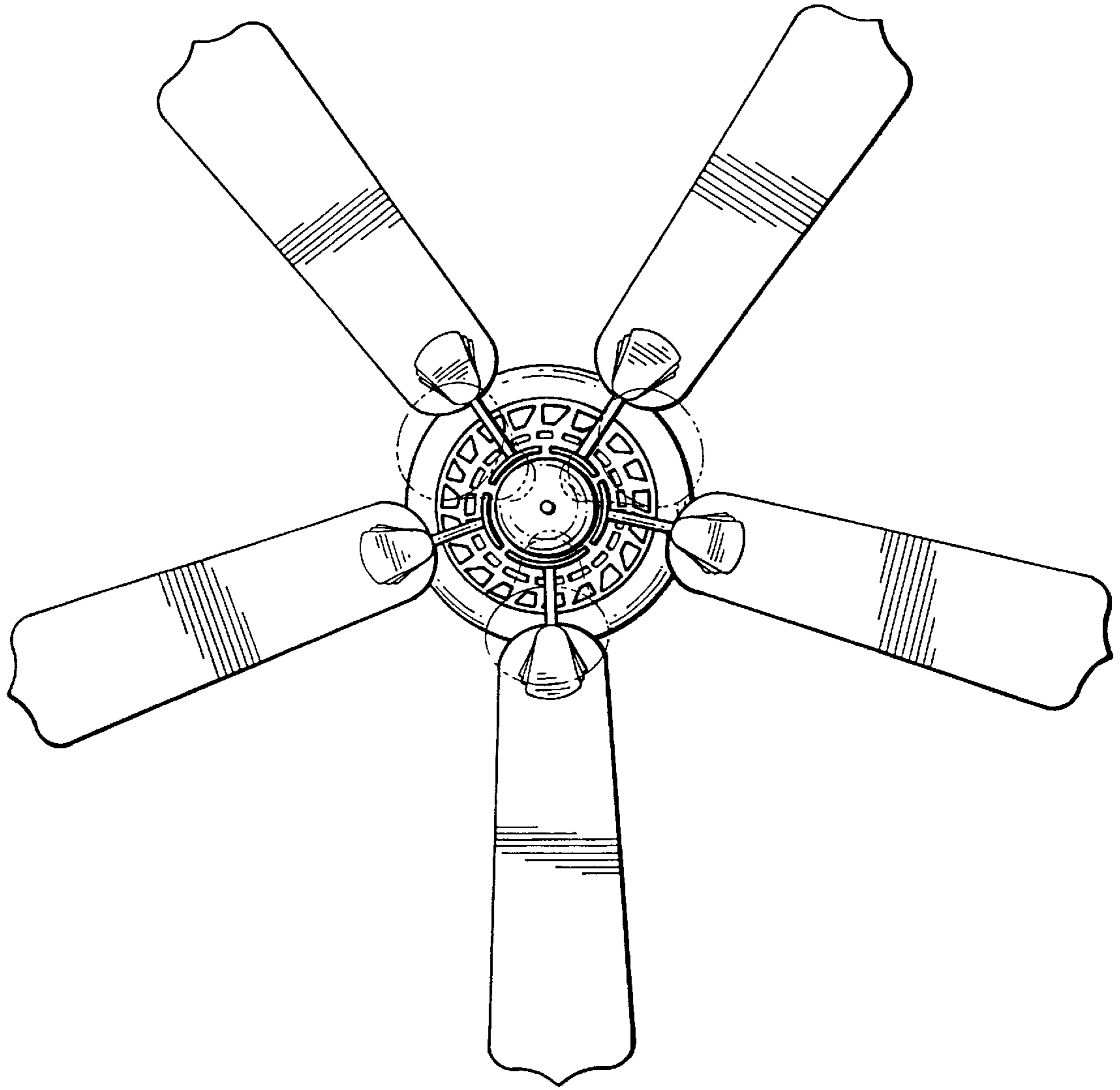


FIG. 4