



US00D418910S

United States Patent [19] Gould

[11] **Patent Number: Des. 418,910**
[45] **Date of Patent: ** Jan. 11, 2000**

[54] **PORTABLE VEHICLE INTERIOR HEATER**

5,245,692 9/1993 Kawai 392/367
5,463,203 10/1995 Moore 219/202
5,781,695 7/1998 Summers et al. 392/383

[76] Inventor: **Richard L Gould**, 5 De-Mere Close
Rainham, Kent ME8 9J4, United
Kingdom

Primary Examiner—B. J. Bullock

[**] Term: **14 Years**

[57] **CLAIM**

[21] Appl. No.: **29/101,203**

The ornamental design for a portable vehicle interior heater,
as shown and described.

[22] Filed: **Feb. 26, 1999**

DESCRIPTION

[51] **LOC (7) Cl.** **23-03**

FIG. 1 is a front elevational view of the portable vehicle interior heater of the present invention;

[52] **U.S. Cl.** **D23/324; D10/2; D23/328; D23/336**

FIG. 2 is a back elevational view of the portable vehicle interior heater of FIG. 1;

[58] **Field of Search** D23/324, 332, D23/328, 336, 335; D10/2, 15; 219/202, 209, 520, 526, 533, 536; 392/365, 373, 383, 367

FIG. 3 is a left side elevational view of the portable vehicle interior heater of FIG. 1;

FIG. 4 is a right side elevational view of the portable vehicle interior heater of FIG. 1;

[56] **References Cited**

U.S. PATENT DOCUMENTS

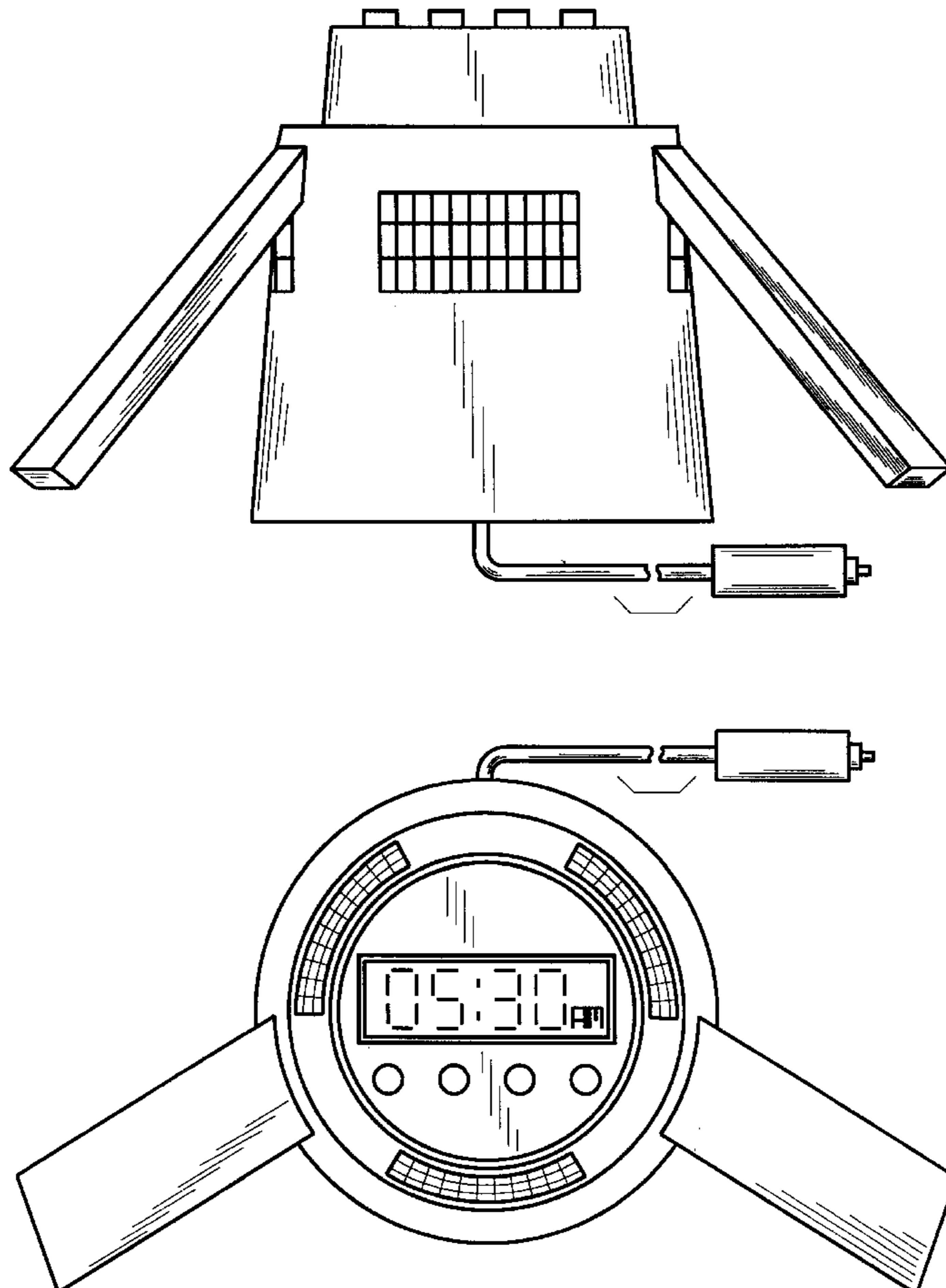
D. 322,666 12/1991 Bobrouniczky D23/324
D. 340,764 10/1993 Edwards et al. D23/324
D. 359,550 6/1995 Chan D23/324
D. 379,767 6/1997 Bowley D10/2
D. 380,254 6/1997 Chiang D23/332
4,874,921 10/1989 Gerbig, Jr. 219/202

FIG. 5 is a top plan view of the portable vehicle interior heater of FIG. 1; and,

FIG. 6 is a bottom plan view of the portable vehicle interior heater of FIG. 1.

The cord is shown broken away to indicate indeterminate length.

1 Claim, 3 Drawing Sheets



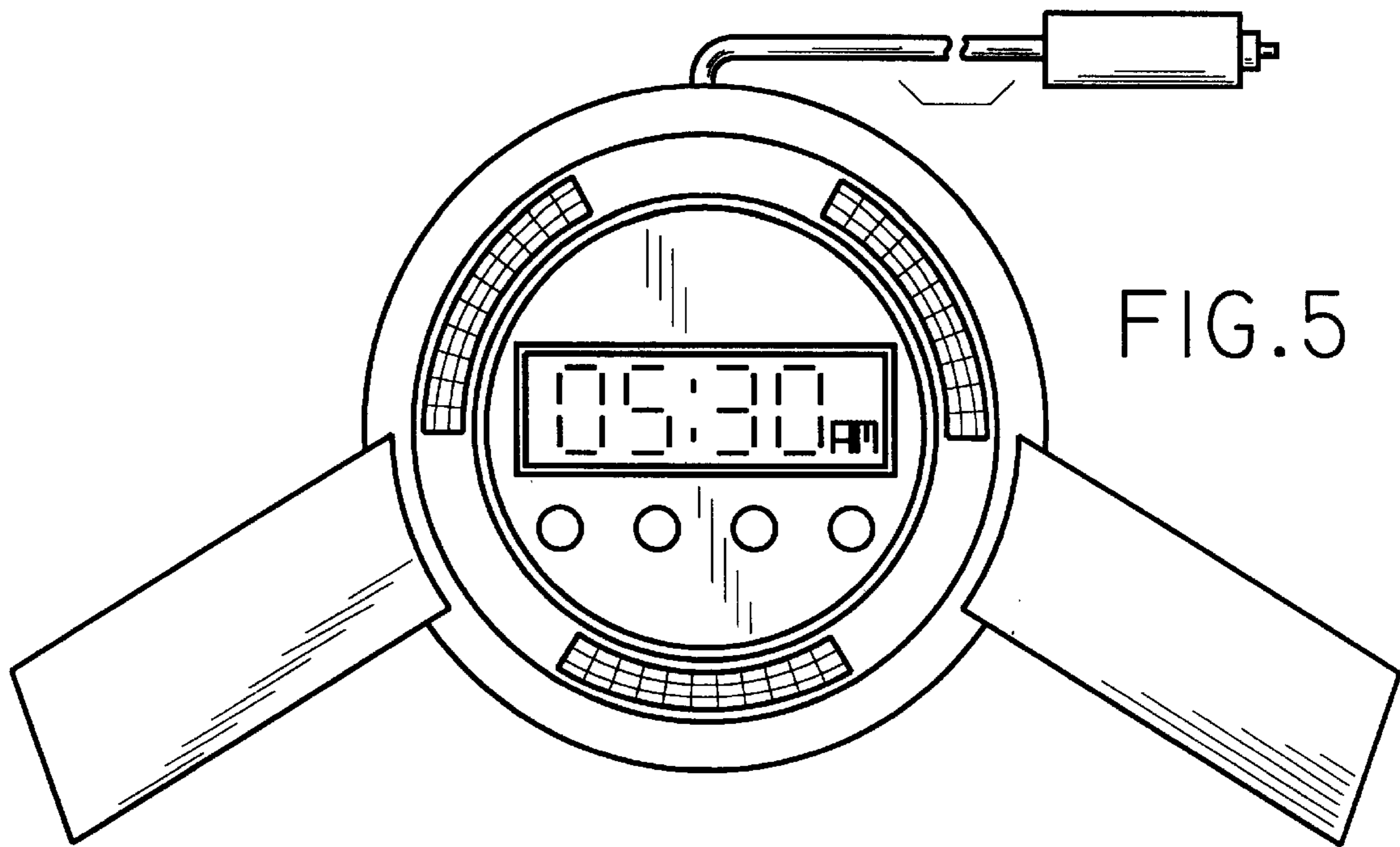


FIG. 5

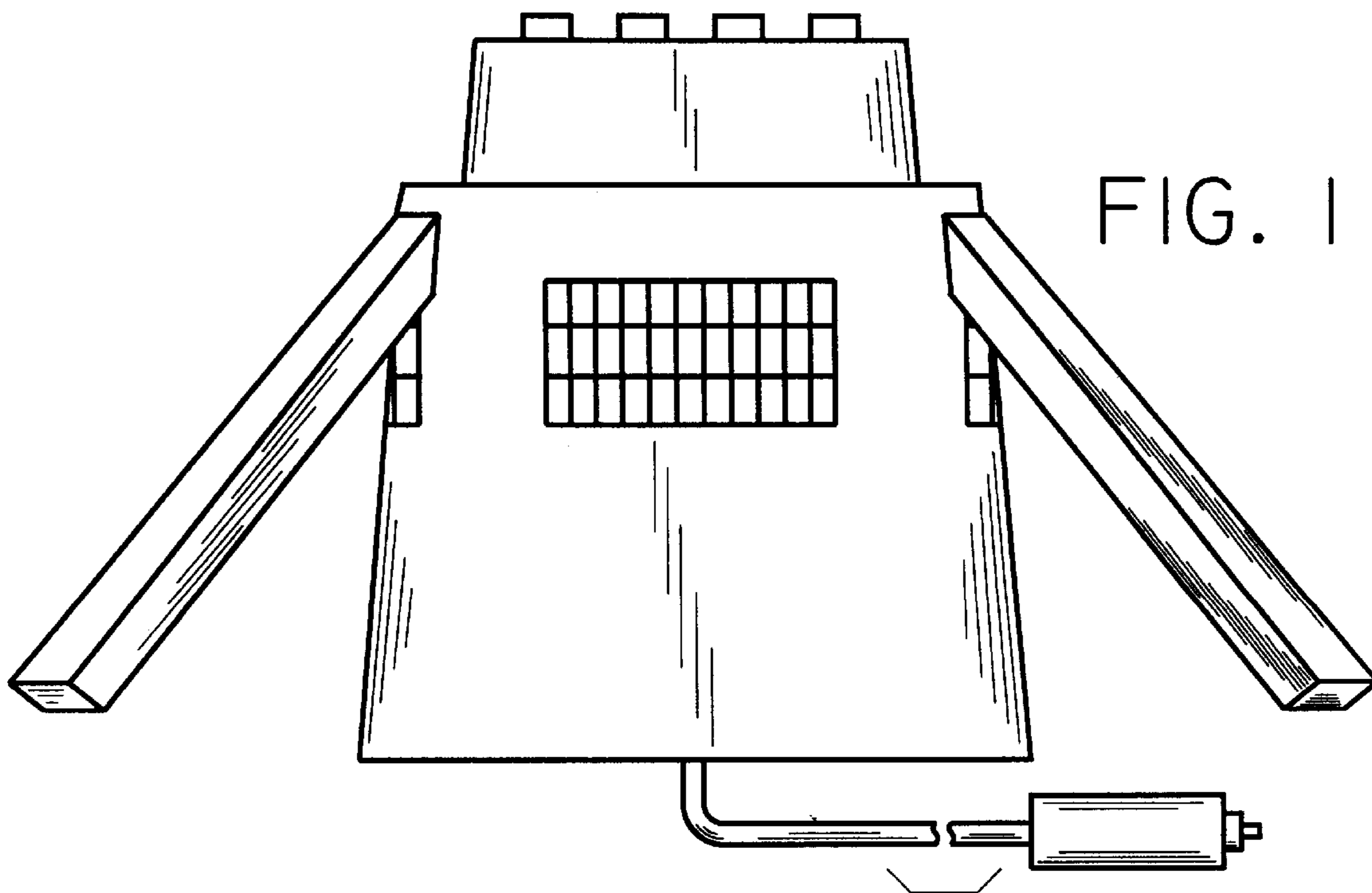
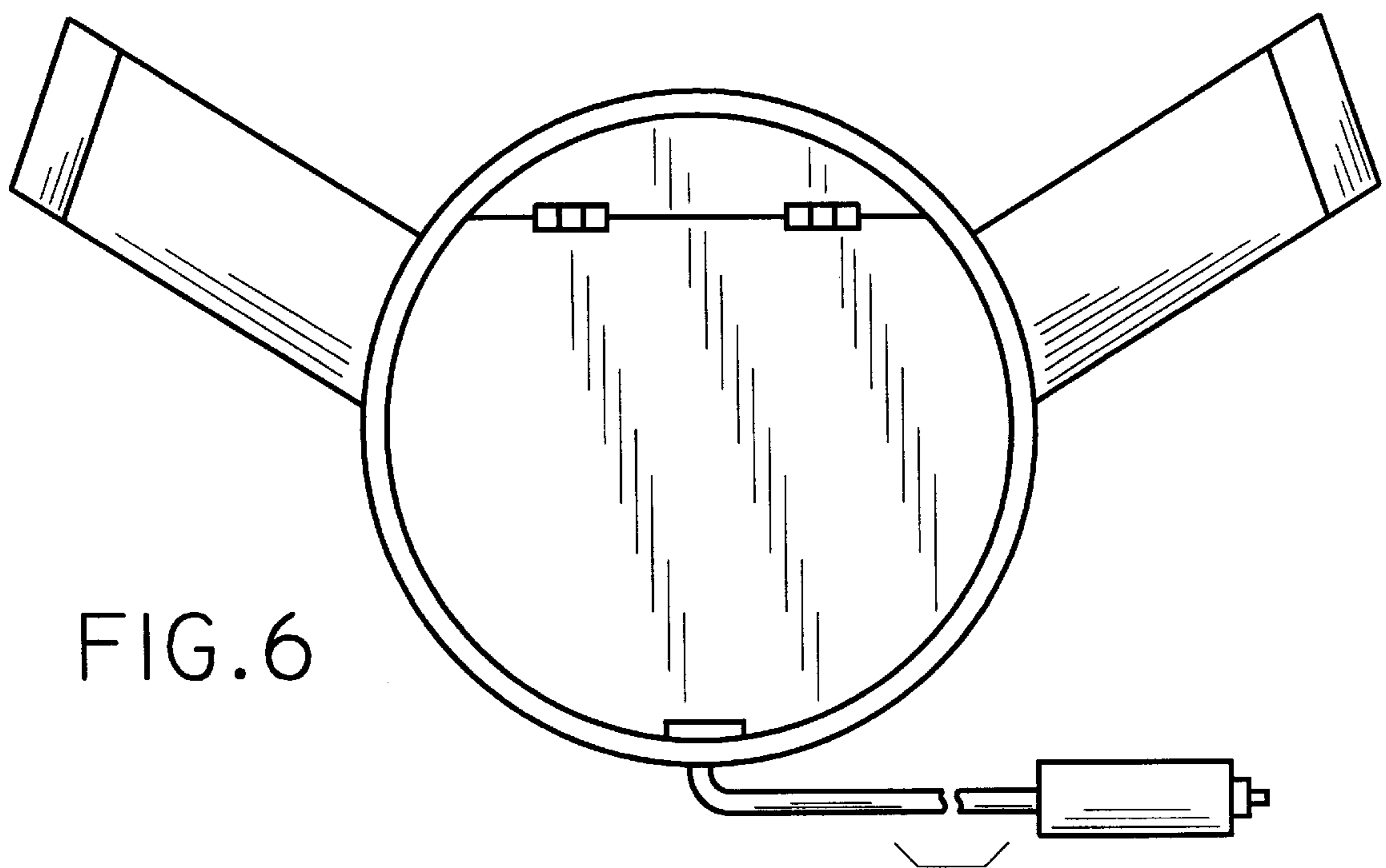
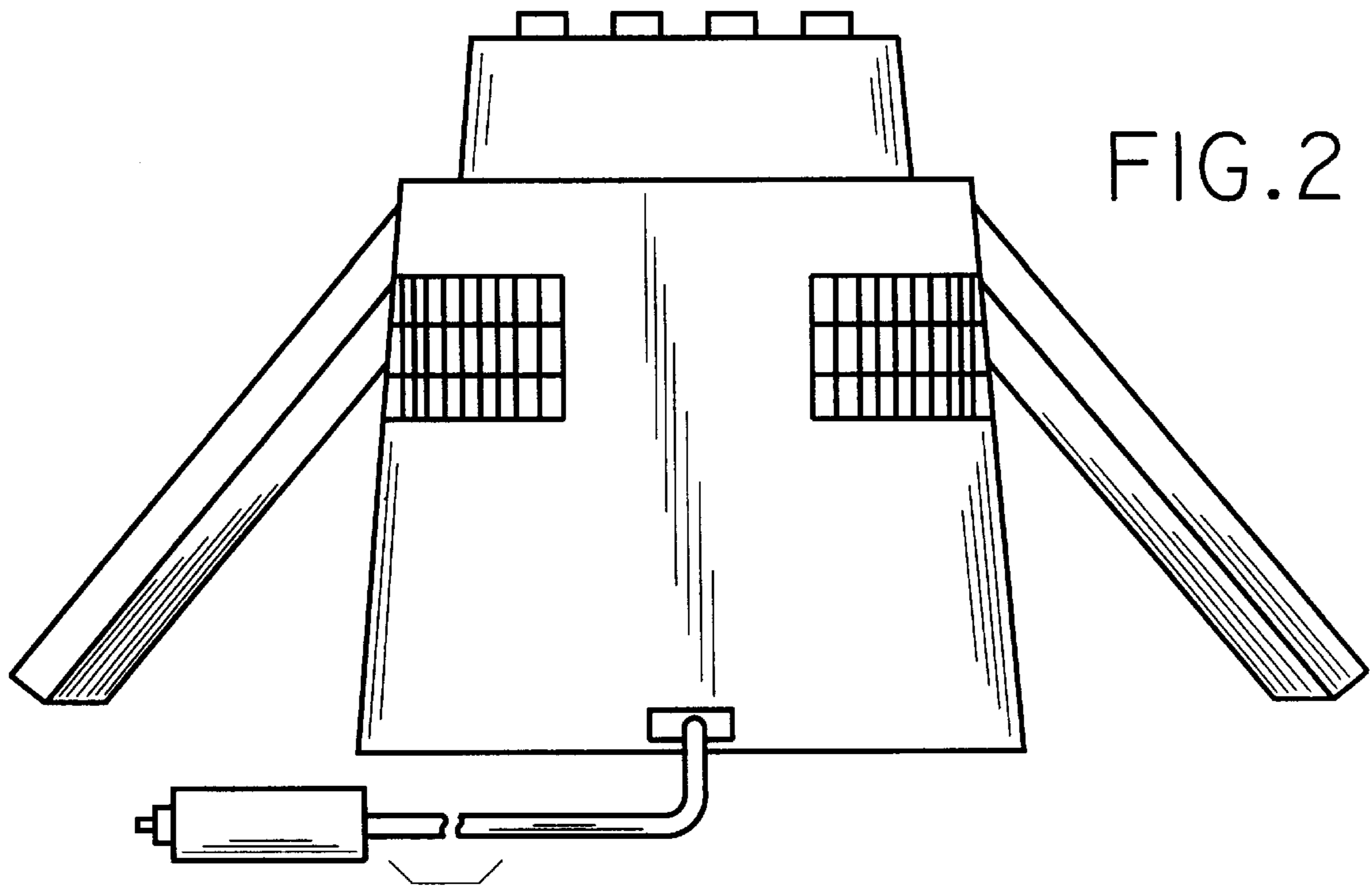


FIG. 1



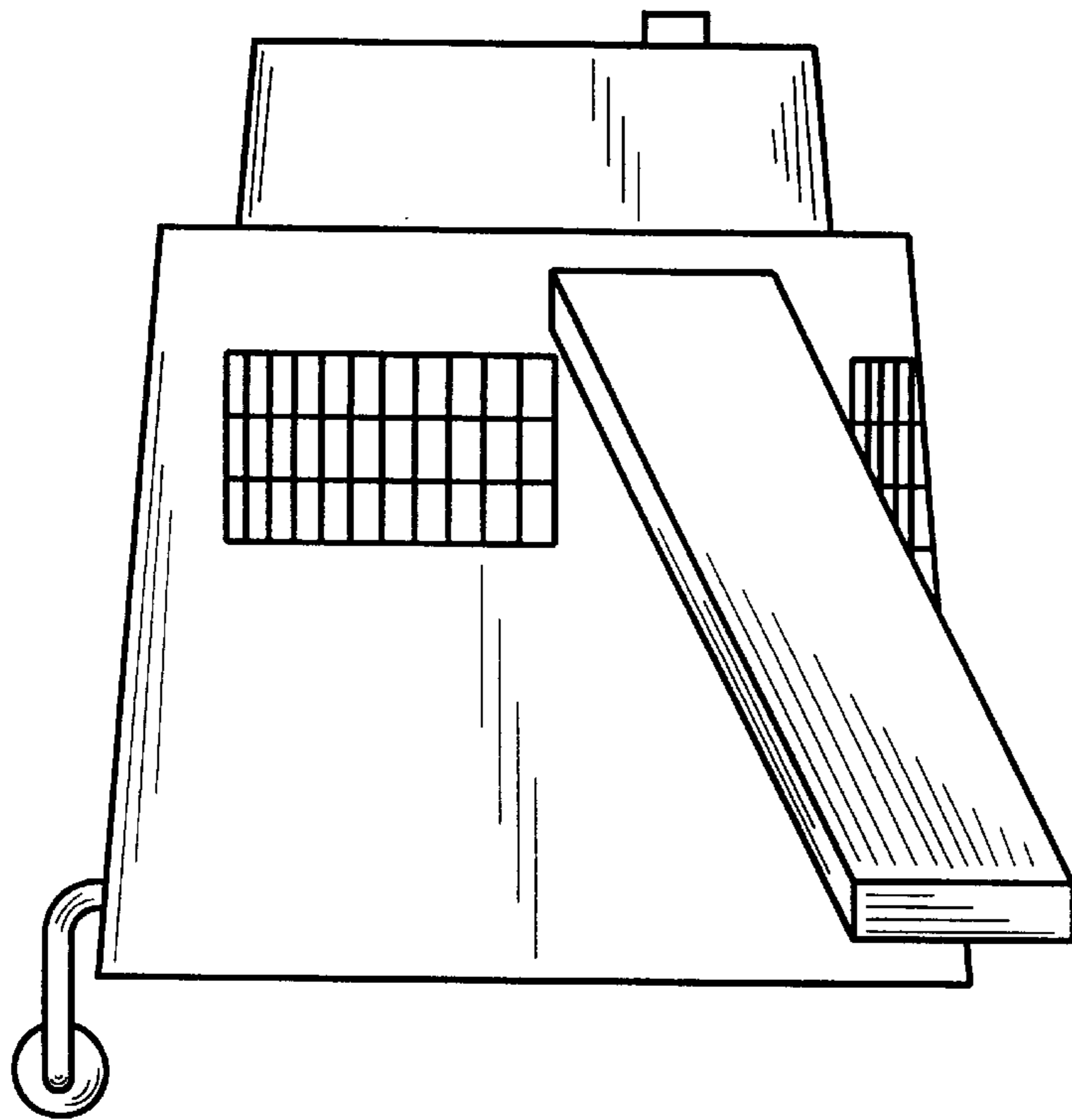


FIG. 3

FIG. 4

