



US00D418907S

United States Patent [19] Minnick

[11] Patent Number: **Des. 418,907**

[45] Date of Patent: **** Jan. 11, 2000**

[54] **DRAIN TEST CAP**

5,560,396 10/1996 Kramer, Jr. 138/89

[75] Inventor: **Michael W. Minnick**, N. Ridgeville, Ohio

Primary Examiner—Alan P. Douglas
Assistant Examiner—Reid Hecker
Attorney, Agent, or Firm—Renner, Otto, Boisselle & Sklar, P.L.L.

[73] Assignee: **Oatey Co.**, Cleveland, Ohio

[**] Term: **14 Years**

[57] CLAIM

[21] Appl. No.: **29/094,145**

The ornamental design for a drain test cap, as shown and described.

[22] Filed: **Sep. 25, 1998**

DESCRIPTION

[51] **LOC (7) Cl.** **23-01**

[52] **U.S. Cl.** **D23/260**

[58] **Field of Search** D23/249, 235, D23/260; D8/387, 398; 138/89, 90; 4/295

FIG. 1 is a side elevation view of one side of the drain test cap showing my new design, the opposite side being a mirror image;

FIG. 2 is a front view elevation view thereof, the rear elevation view being a mirror image;

FIG. 3 is a longitudinal section through the drain test cap of FIG. 1 taken on the plane of the line 3—3 thereof;

FIG. 4 is a top plan view thereof; and,

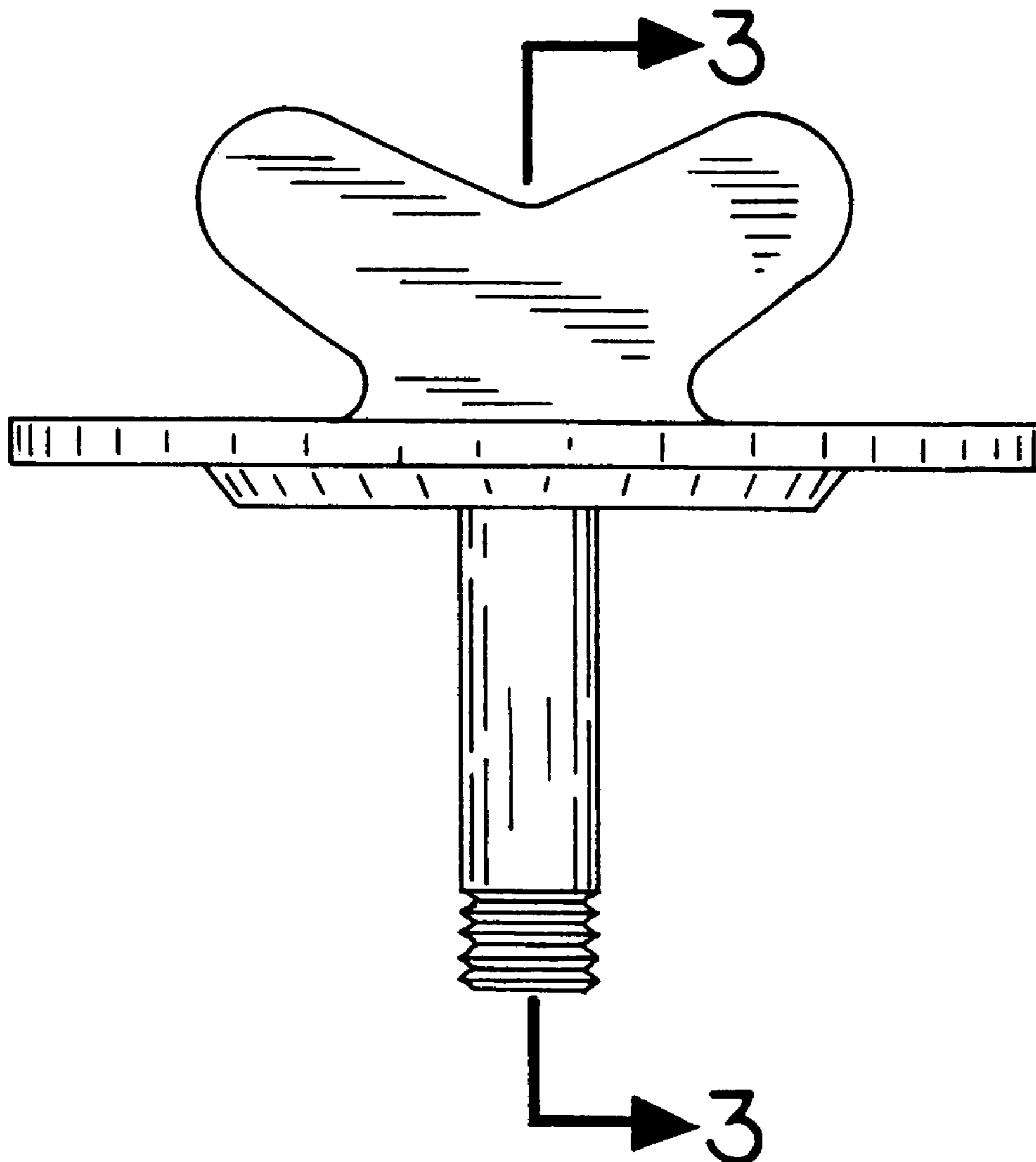
FIG. 5 is a bottom plan view thereof.

[56] References Cited

U.S. PATENT DOCUMENTS

D. 370,709	6/1996	John	D23/260
D. 373,623	9/1996	Mathison	.	
2,245,887	6/1941	Wikander	138/89
2,479,862	8/1949	Payne	4/295

1 Claim, 1 Drawing Sheet



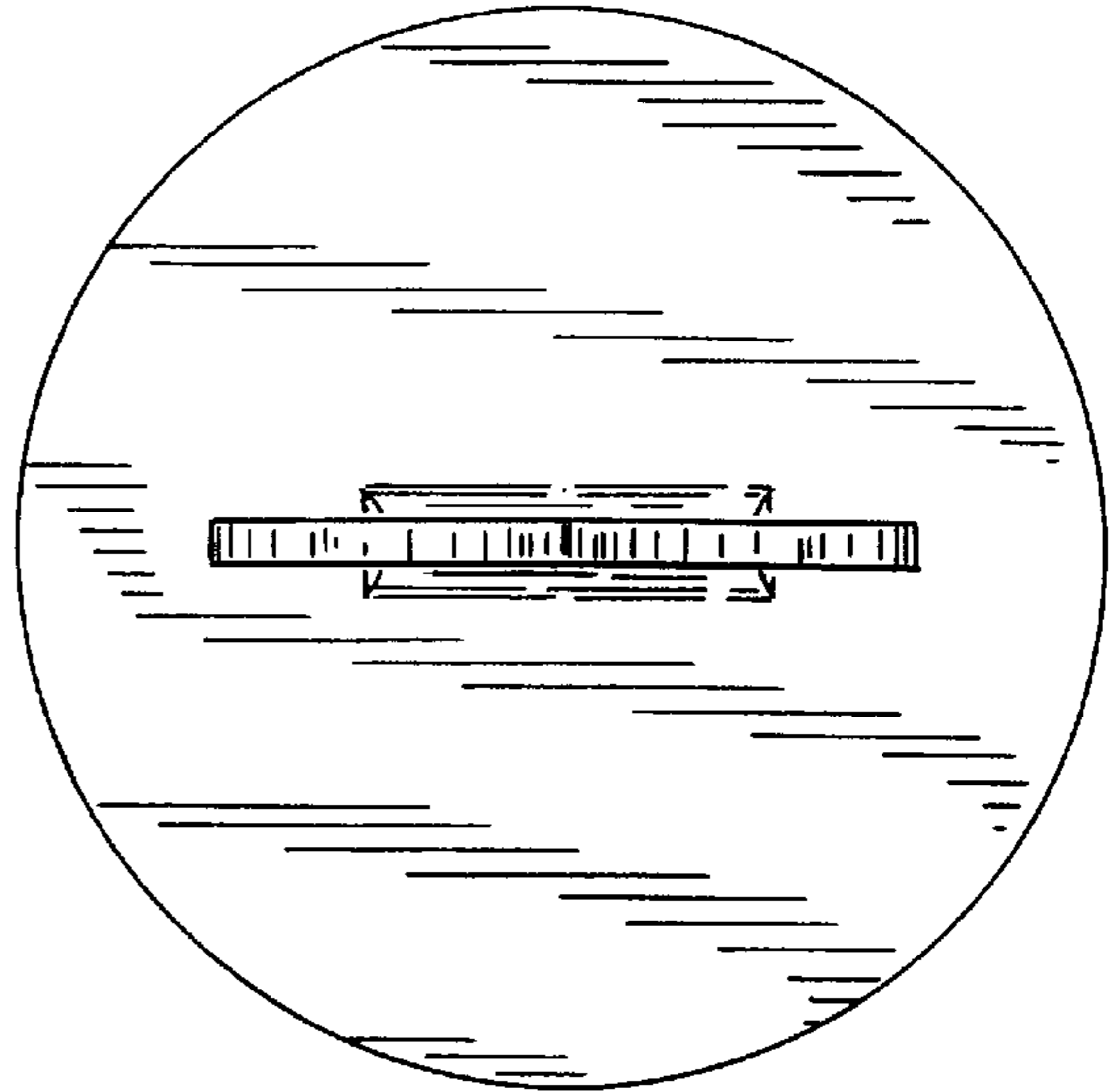
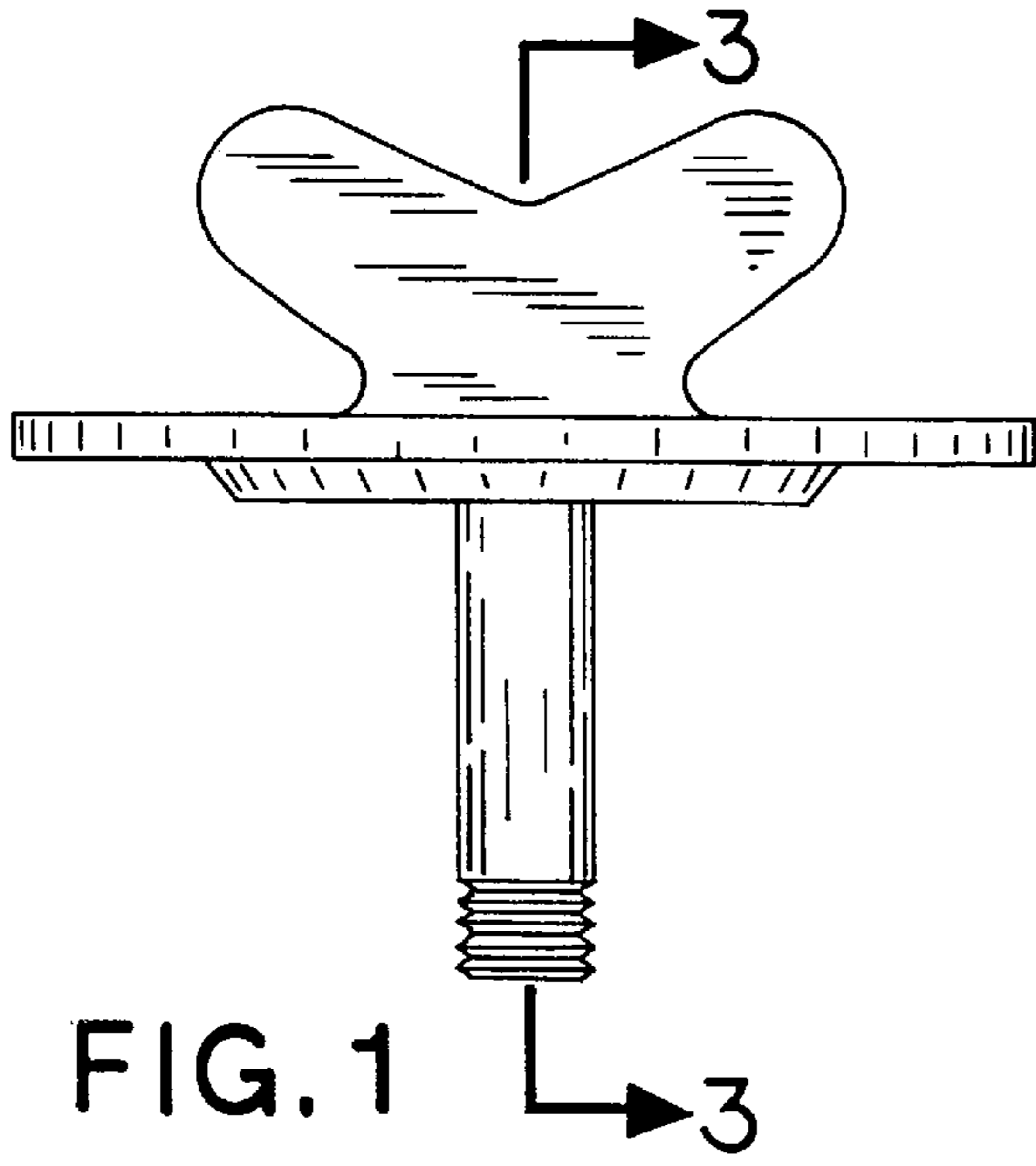


FIG. 4

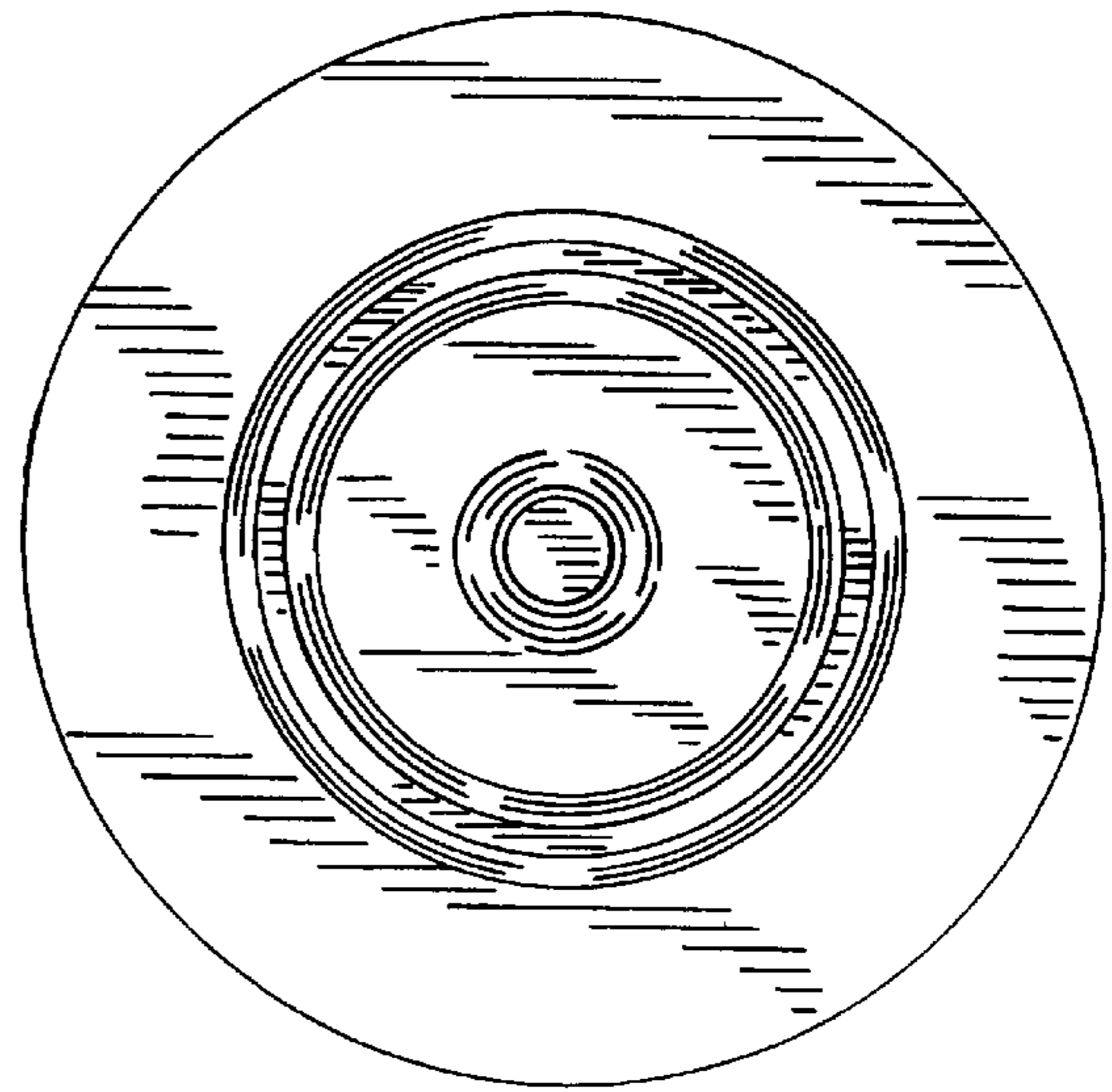
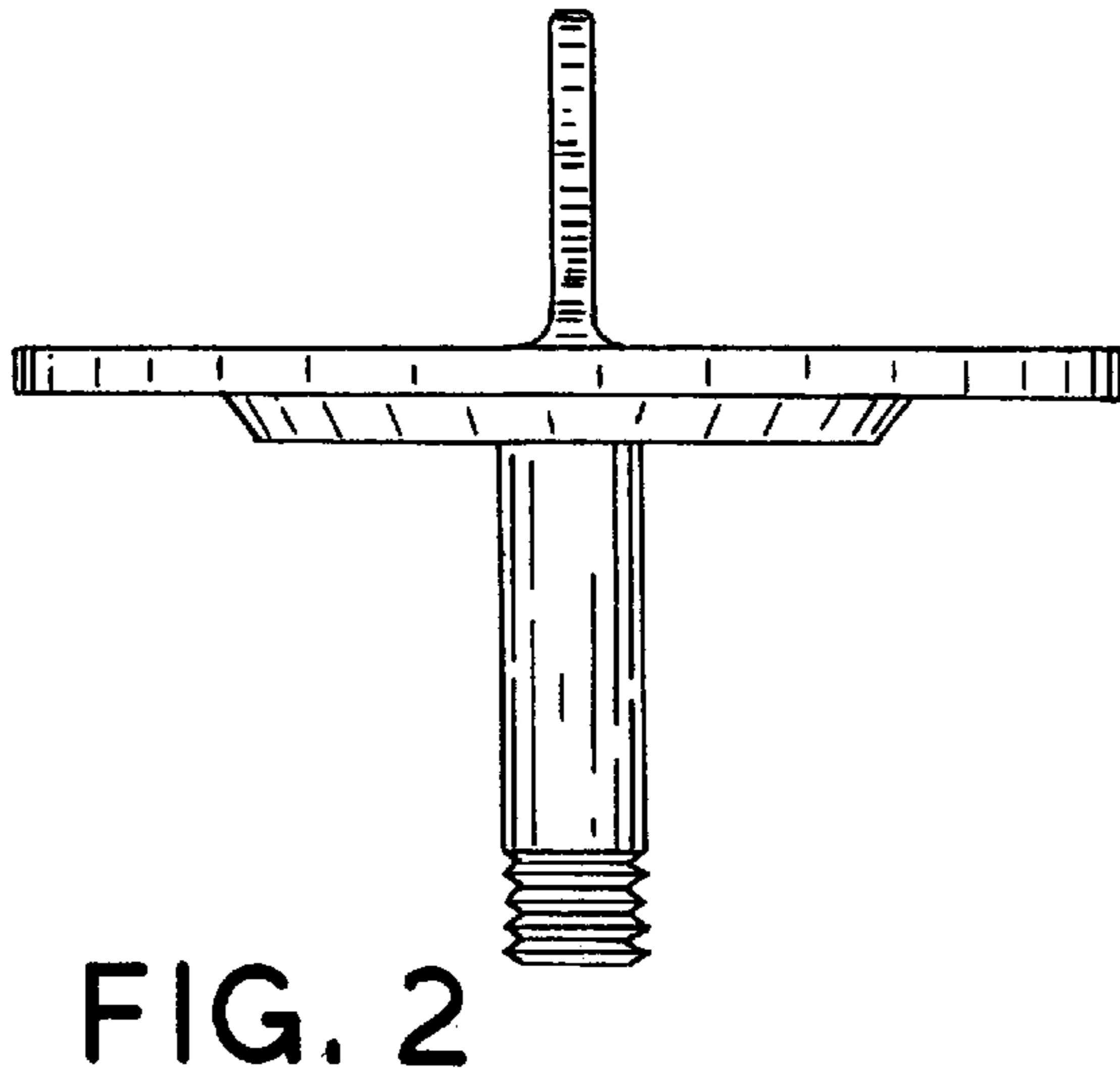


FIG. 5

