



US00D418903S

United States Patent [19]
Haverstraw et al.

[11] **Patent Number: Des. 418,903**
[45] **Date of Patent: ** Jan. 11, 2000**

[54] **WALL-MOUNT SHOWER HEAD**
[75] Inventors: **Jay Haverstraw**, Fort Collins, Colo.;
Andrew Serbinski, Annandale, N.J.;
Mirzat Koã, Brooklyn; **Ragnhild Haugum**, New York, both of N.Y.
[73] Assignee: **Teledyne Industries, Inc.**, Fort Collins, Colo.
[**] Term: **14 Years**
[21] Appl. No.: **29/092,747**
[22] Filed: **Aug. 26, 1998**
[51] **LOC (7) Cl. 23-01**
[52] **U.S. Cl. D23/229**
[58] **Field of Search D23/213, 214, D23/223, 226, 229, 230; 239/394, 460-462, 556, 560**

4,081,135 3/1978 Tomaro .
4,209,132 6/1980 Kwan .
4,254,914 3/1981 Shames et al. .
4,614,303 9/1986 Moseley, Jr. et al. .
4,657,185 4/1987 Rundzaitis .
4,703,893 11/1987 Gruber .
4,754,928 7/1988 Rogers et al. .
5,033,897 7/1991 Chen .
5,172,866 12/1992 Ward .
5,232,162 8/1993 Chih .
5,246,169 9/1993 Heimann et al. .
5,397,064 3/1995 Heitzman .
5,433,384 7/1995 Chan et al. .
5,476,225 12/1995 Chan .
5,551,637 9/1996 Lo .
5,558,278 9/1996 Gallorini .
5,577,664 11/1996 Heitzman .
5,613,639 3/1997 Storm et al. .
5,718,380 2/1998 Schorn et al. .

[56] **References Cited**

U.S. PATENT DOCUMENTS

D. 237,708 11/1975 Grohe et al. .
D. 245,858 9/1977 Grube .
D. 245,860 9/1977 Grube .
D. 261,300 10/1981 Klose .
D. 261,417 10/1981 Klose D23/213
D. 313,267 12/1990 Lenci et al. .
D. 315,191 3/1991 Mikol .
D. 325,769 4/1992 Haug et al. .
D. 325,770 4/1992 Haug et al. .
D. 326,311 5/1992 Lenci et al. .
D. 332,994 2/1993 Huen .
D. 348,720 7/1994 Haug et al. .
D. 352,347 11/1994 Dannenburg .
D. 367,696 3/1996 Andrus .
D. 370,052 5/1996 Chan et al. .
D. 375,541 11/1996 Michaluk D23/213
D. 385,616 10/1997 Dow et al. D23/229
D. 395,074 6/1998 Neibrook D23/229
2,567,642 9/1951 Penshaw .
3,550,863 12/1970 McDermott .
3,998,390 12/1976 Peterson et al. .

FOREIGN PATENT DOCUMENTS

2066704 7/1981 United Kingdom .
726811 B1 8/1996 United Kingdom .

Primary Examiner—Robin V. Taylor
Attorney, Agent, or Firm—Holland & Hart LLP

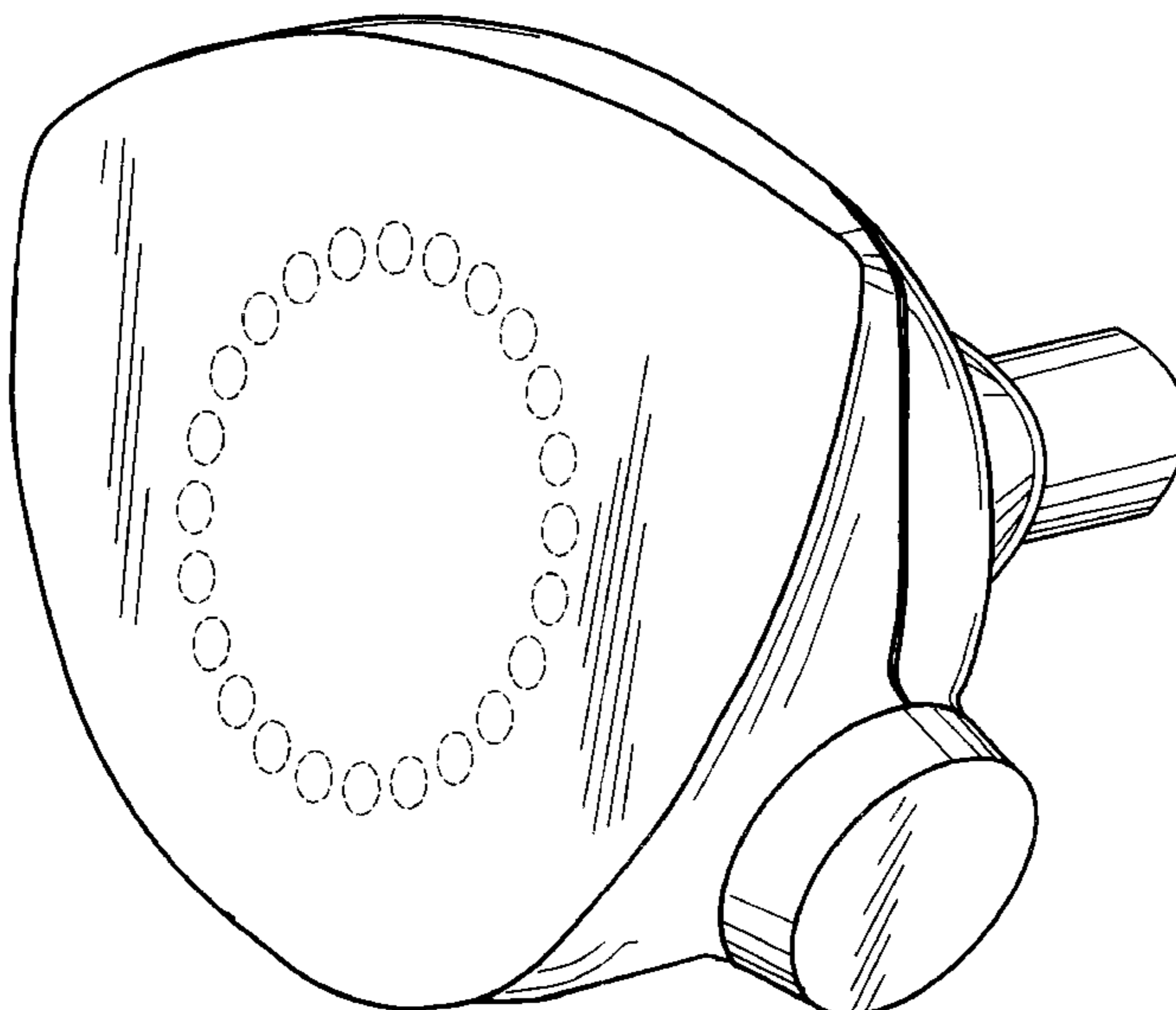
[57] **CLAIM**

The ornamental design for a wall-mount shower head, as shown and described.

DESCRIPTION

FIG. 1 is a front perspective view of a wall-mount shower head showing our new design in full lines, with the broken lines showing environmental association matter being for illustrative purposes only and forming no part of the claimed design;
FIG. 2 is a front elevational view thereof;
FIG. 3 is a left side elevational view thereof, with the right side elevational view being a mirror image thereof;
FIG. 4 is a top plan view thereof;
FIG. 5 is a bottom plan view thereof; and,
FIG. 6 is a back elevational view thereof.

1 Claim, 3 Drawing Sheets



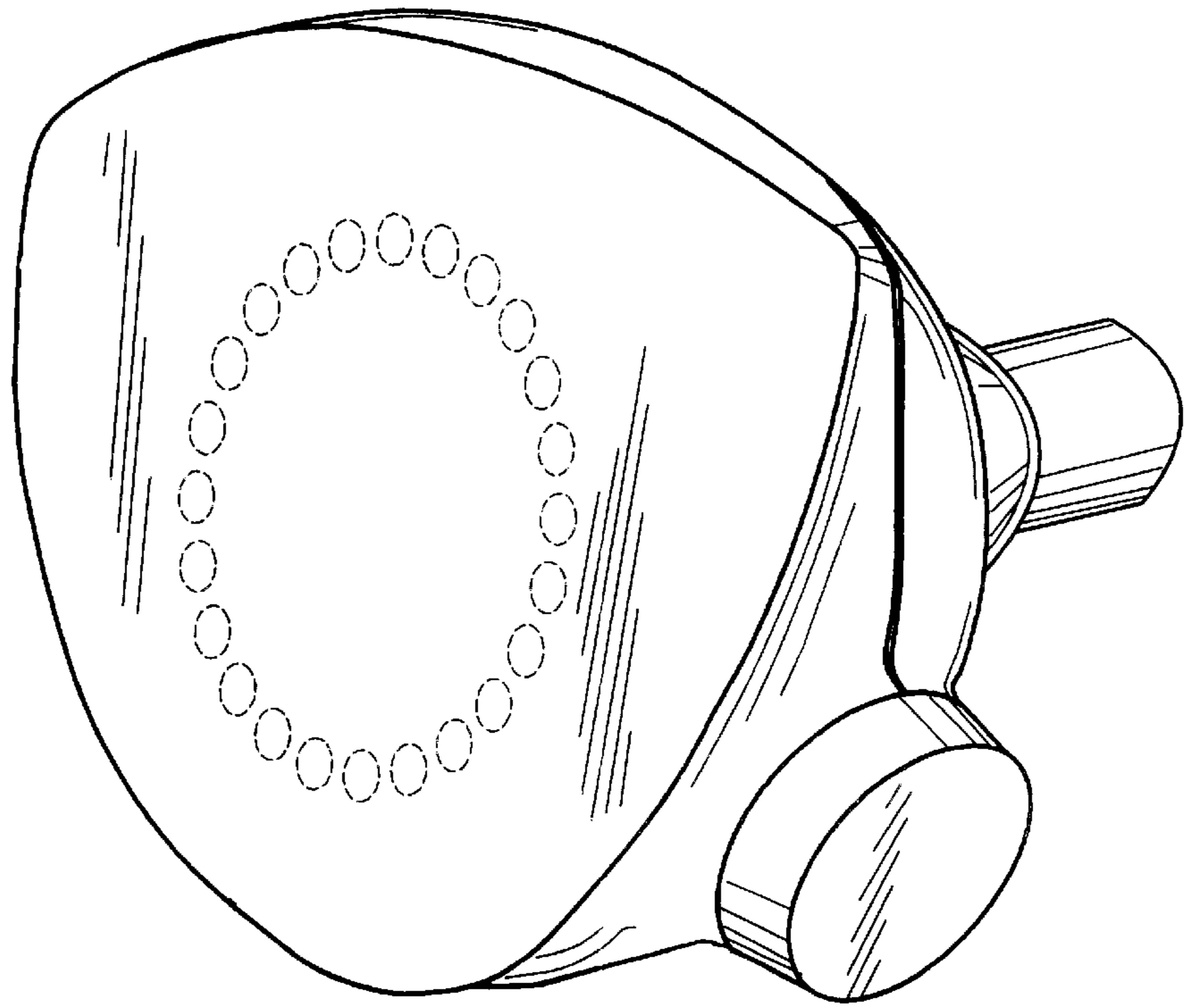


Fig. 1

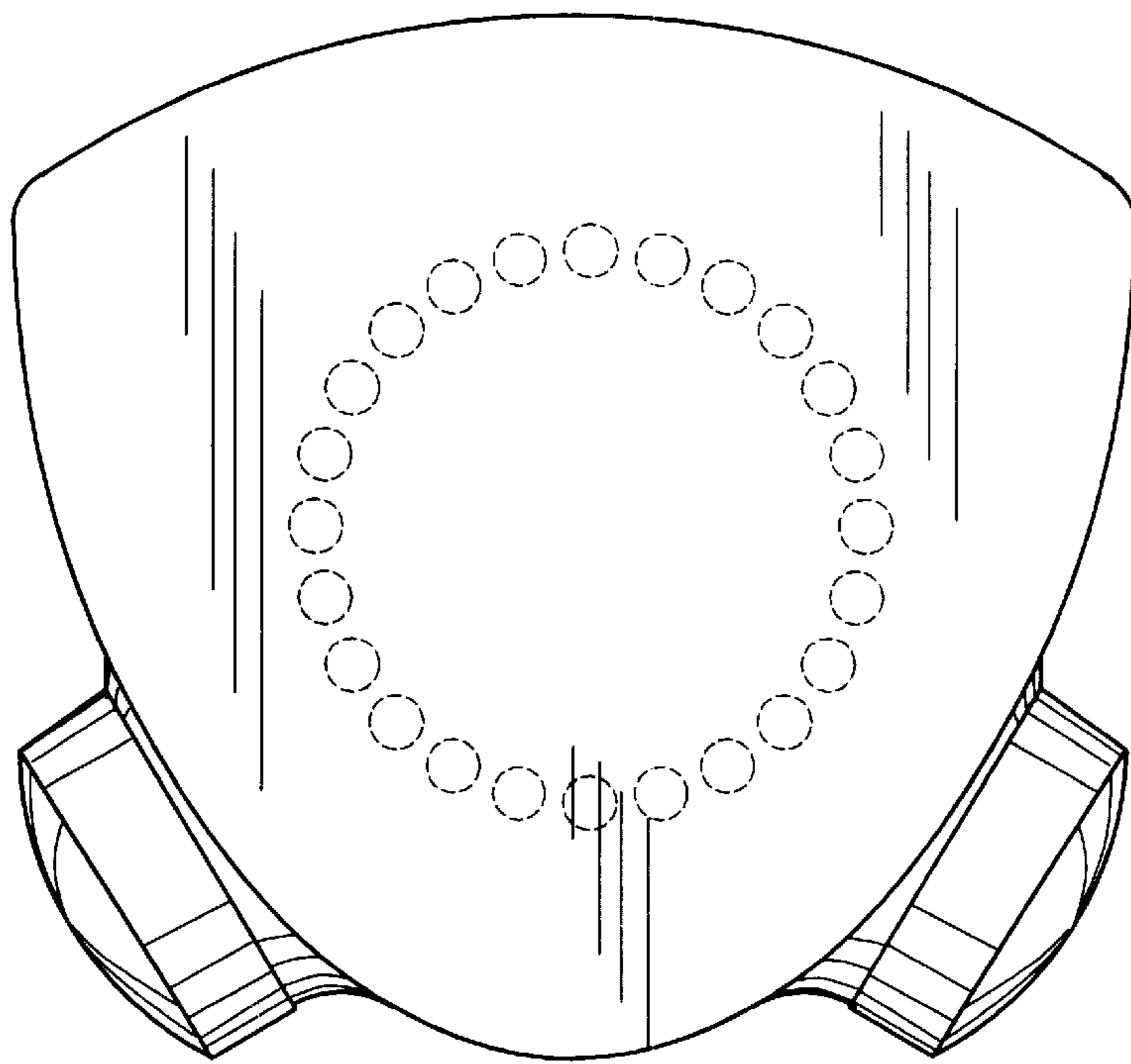


Fig. 2

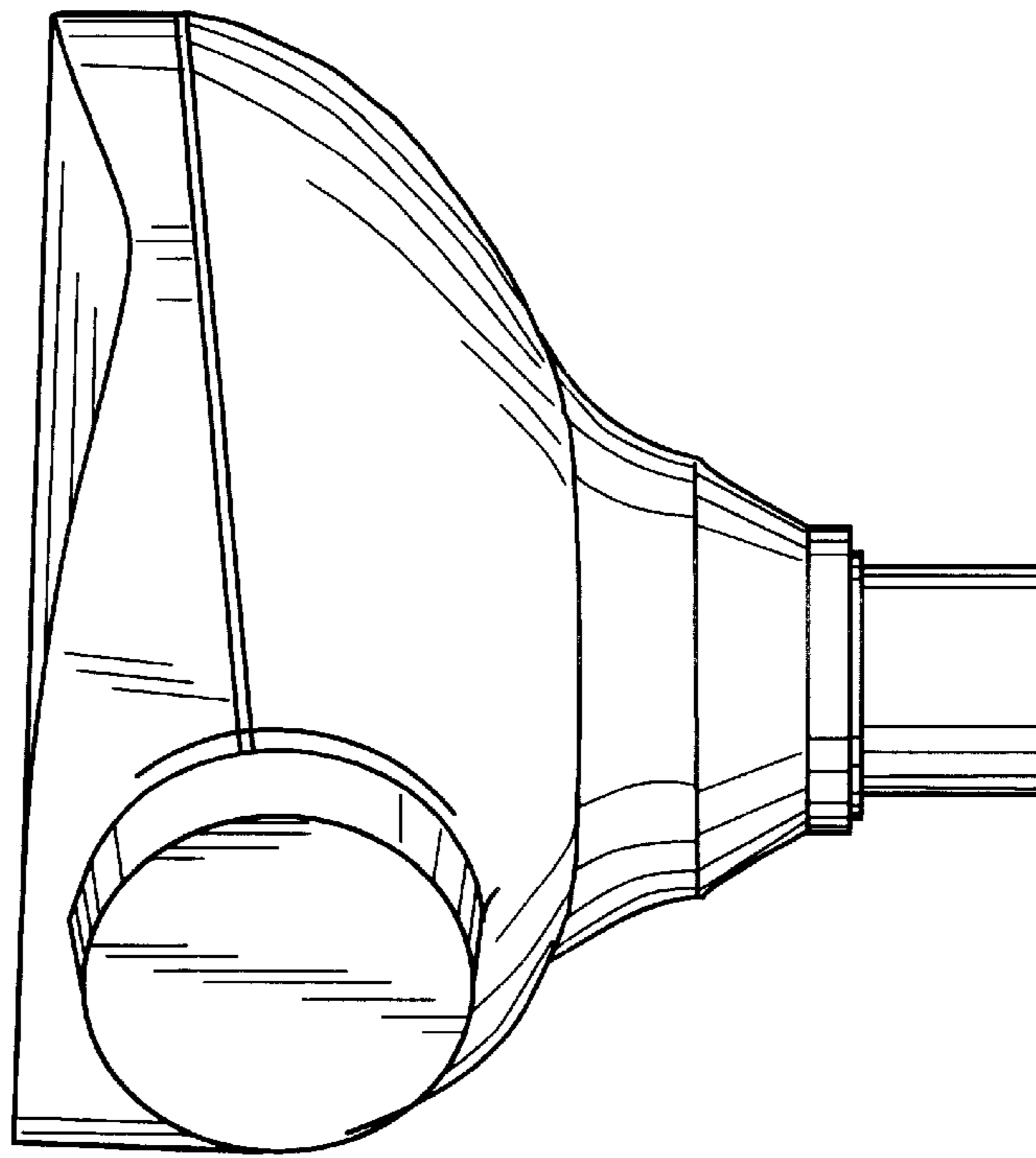


Fig. 3

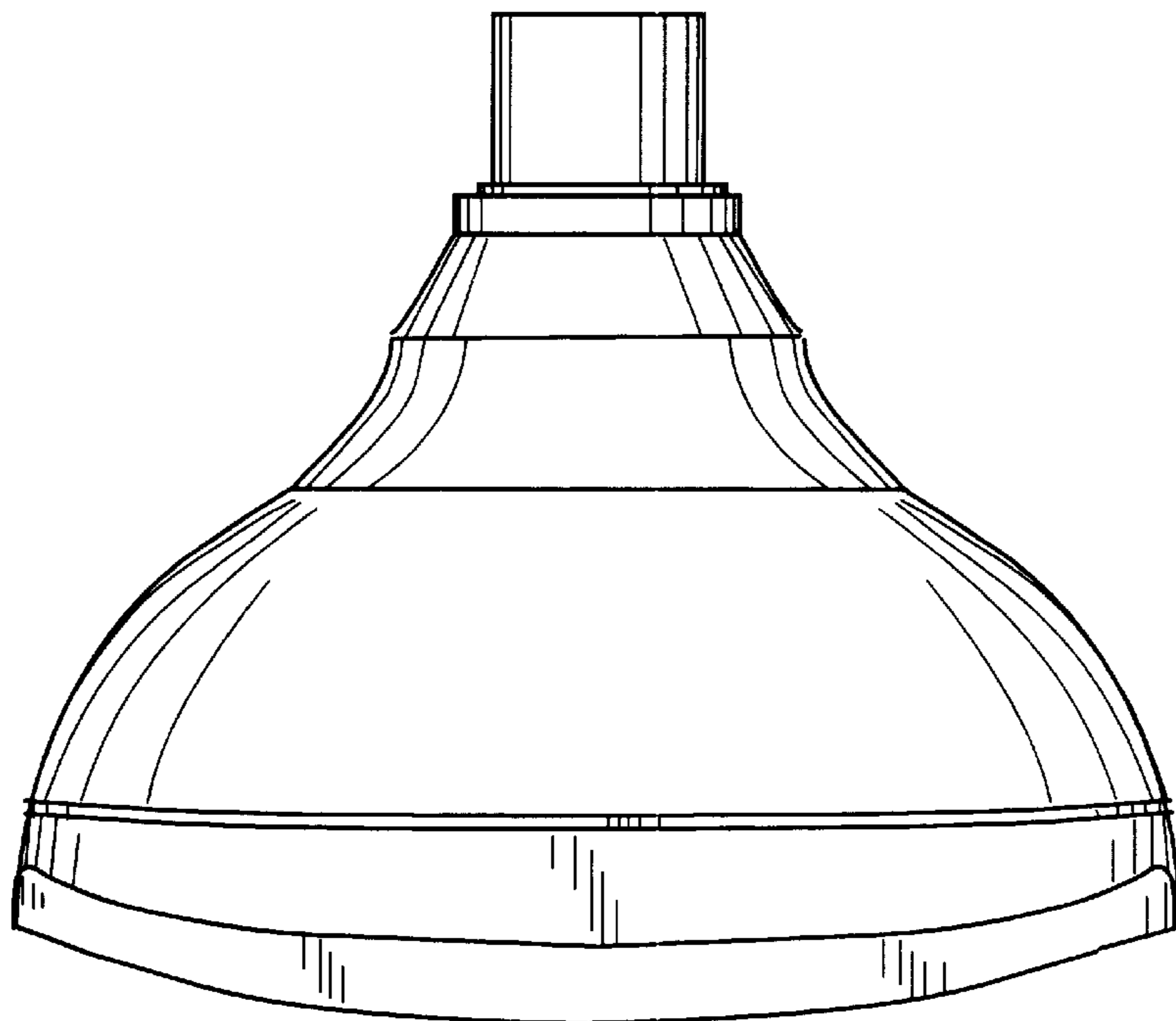


Fig. 4

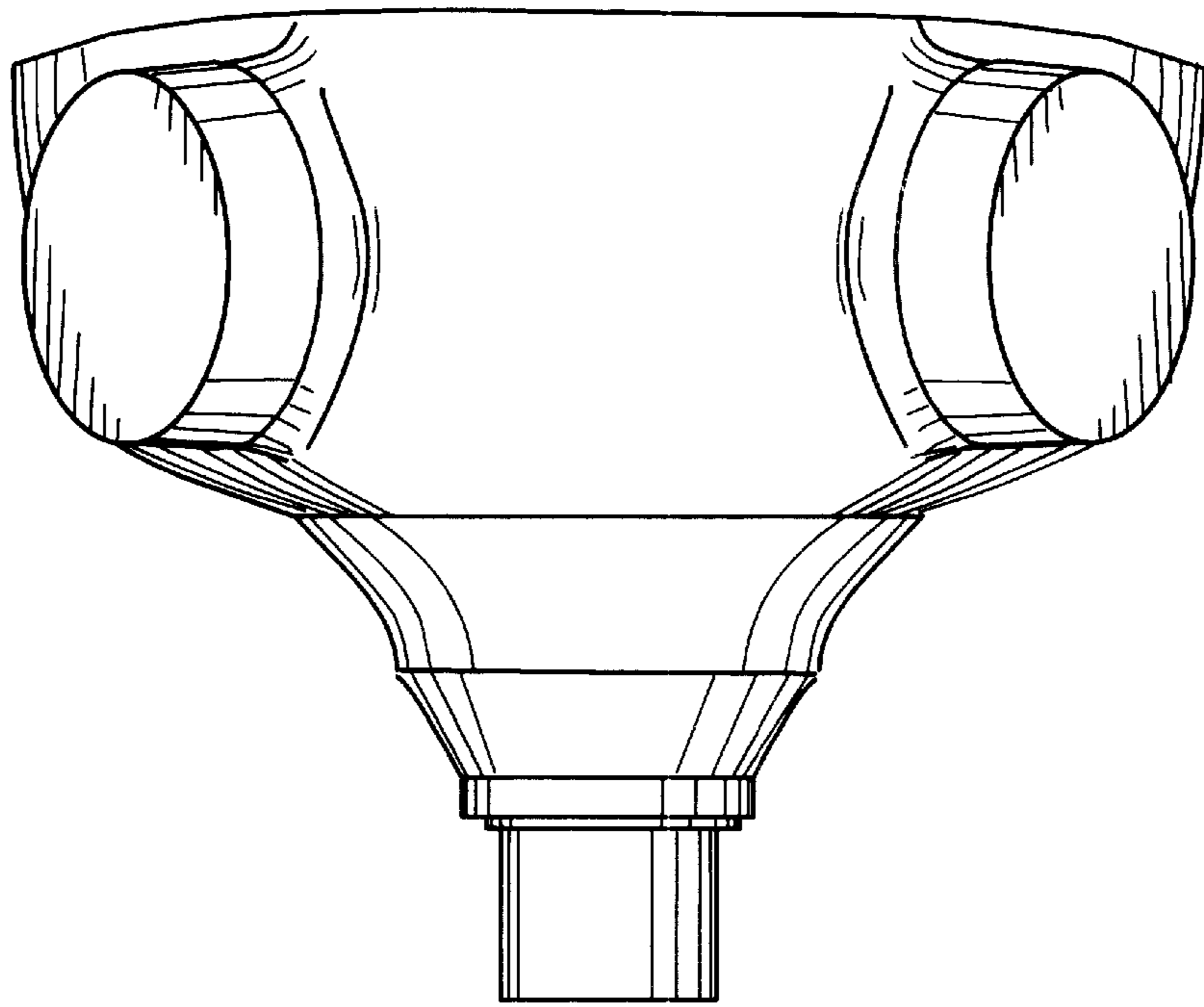


Fig. 5

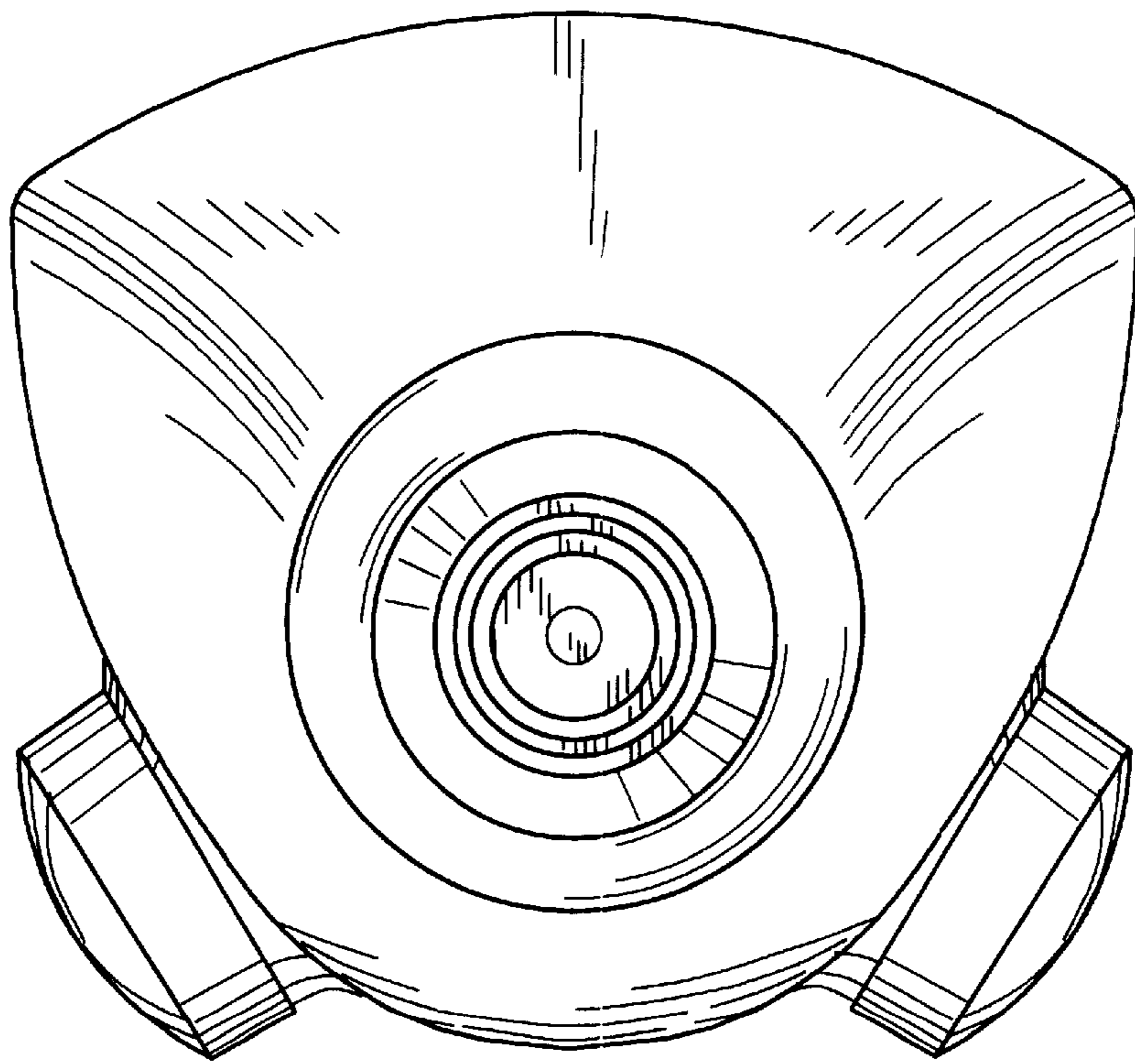


Fig. 6