



US00D418901S

United States Patent [19]

Gorney et al.

[11] Patent Number: **Des. 418,901**

[45] Date of Patent: **** Jan. 11, 2000**

[54] **SPRINKLER**

D. 351,016	9/1994	Warshawsky	D23/213
D. 377,965	2/1997	Andrus	D23/213
3,820,716	6/1974	Bauer	239/440

[75] Inventors: **Moshe Gorney; Dorit Kopit**, both of Kibbutz Naan, Israel

[73] Assignee: **Naan Irrigation Systems**, Kibbutz Naan, Israel

[**] Term: **14 Years**

[21] Appl. No.: **29/092,092**

[22] Filed: **Aug. 12, 1998**

[51] **LOC (7) Cl.** **23-01**

[52] **U.S. Cl.** **D23/214; D23/229**

[58] **Field of Search** D23/213-4, 228-230; 239/459, 460, 461, 462, 414-5

[56] **References Cited**

U.S. PATENT DOCUMENTS

D. 134,735 1/1943 Tompkins D23/229

Primary Examiner—Robin V. Taylor
Attorney, Agent, or Firm—Browdy and Neimark

[57] **CLAIM**

The ornamental design for a sprinkler, as shown and described.

DESCRIPTION

FIG. 1—Perspective view of the embodiment;
FIG. 2—Front view of the embodiment;
FIG. 3—Top view of the embodiment;
FIG. 4—Back view of the embodiment; and,
FIG. 5—Bottom view of the embodiment.

The broken line showing is for illustrative purposes only and forms no part of the claimed design.

1 Claim, 3 Drawing Sheets



FIG. 1



FIG. 2

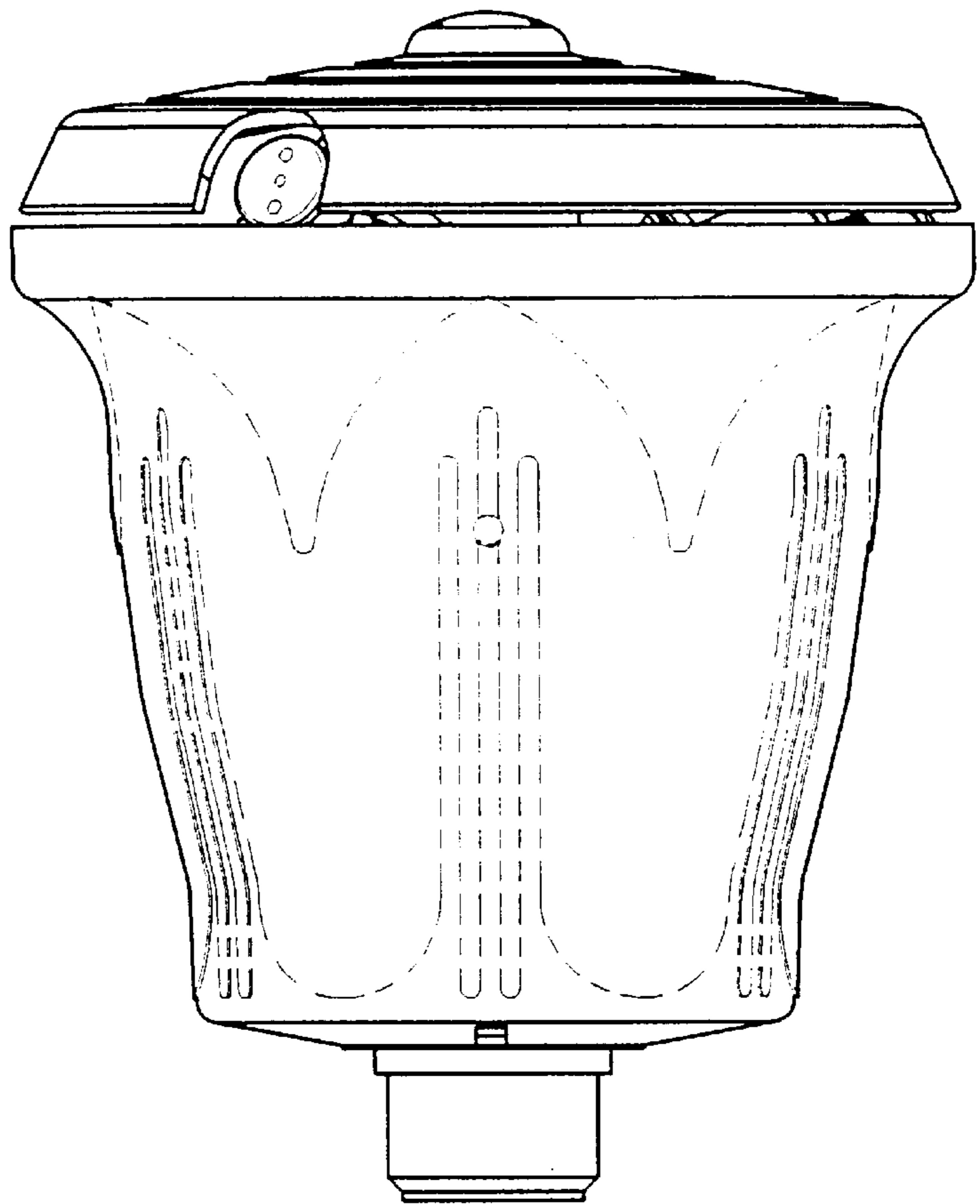


FIG. 3

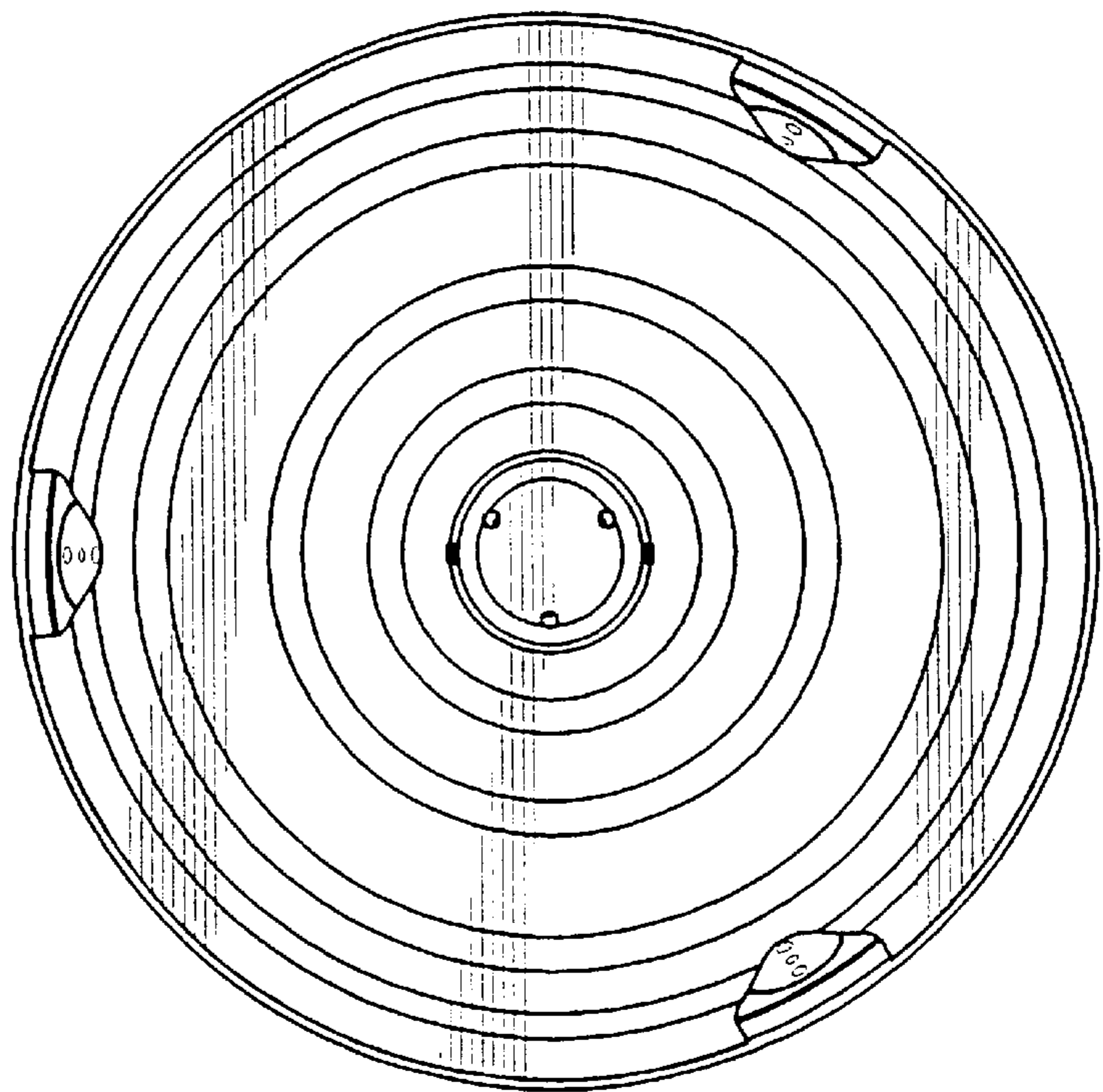


FIG. 4

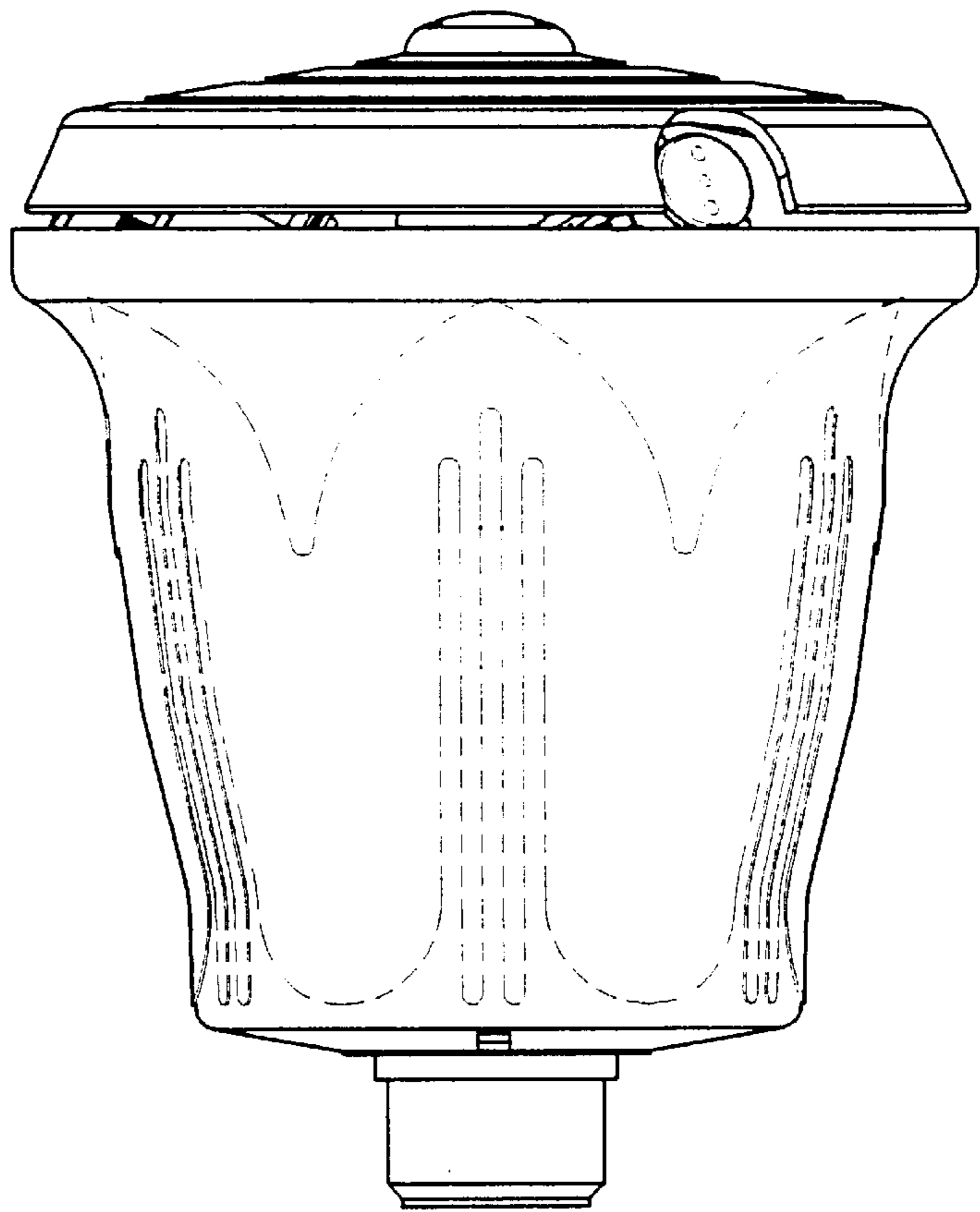


FIG. 5

