



US00D418895S

United States Patent [19] Ruggiero

[11] **Patent Number: Des. 418,895**
[45] **Date of Patent: ** Jan. 11, 2000**

[54] **CLIMB AND SLIDE APPARATUS**

[75] Inventor: **James A. Ruggiero**, Twinsburg, Ohio

[73] Assignee: **The Little Tikes Company**, Hudson, Ohio

[**] Term: **14 Years**

[21] Appl. No.: **29/091,873**

[22] Filed: **Aug. 7, 1998**

[51] **LOC (7) Cl.** **21-03**

[52] **U.S. Cl.** **D21/818; D26/826**

[58] **Field of Search** D21/811, 814,
D21/818-827; 482/35, 36

[56] **References Cited**

U.S. PATENT DOCUMENTS

D. 189,581	1/1961	Williams et al.	D34/5
D. 224,243	7/1972	Hock et al.	D34/5
D. 250,723	1/1979	Dieter et al.	D34/5
D. 262,818	1/1982	Works	D21/243
D. 281,985	12/1985	Spirk, Jr. et al.	D21/818
D. 303,826	10/1989	Aker	D21/244
D. 333,328	2/1993	Aker et al.	D21/114
D. 334,610	4/1993	Aker	D21/244
D. 340,099	10/1993	Warren et al.	D21/243
D. 343,438	1/1994	Fish, Jr.	D21/244
D. 344,773	3/1994	Aker et al.	D21/244
D. 355,693	2/1995	Aker et al.	D21/818
D. 361,614	8/1995	Aker et al.	D21/244
D. 367,694	3/1996	van Huystee	D21/244
D. 367,911	3/1996	Van Huystee	D21/823
D. 372,757	8/1996	Martin et al.	D21/244
D. 377,074	12/1996	Ford et al.	D21/243
D. 377,075	12/1996	Temple et al.	D21/818
D. 377,203	1/1997	Jaeb	D21/820
4,487,411	12/1984	Ahrens	272/56.5

FOREIGN PATENT DOCUMENTS

0534058 6/1992 European Pat. Off. .

OTHER PUBLICATIONS

P. 49, Climb and slide apparatus; Mexico Forge, address unknown. Publication date 1984.

Catalog page, Climb and slide apparatus; Step 2 Corporation, 2200 Highland Road, P. O. Box 444, Twinsburg, Ohio 44087. Publication date 1993.

P. 65, Climb and slide apparatuses; Kaplan School Supply Corp., 1310 Lewisville-Clemmons Road, Lewisville, North Carolina 27023. Publication date 1986-87.

Pp. 4, 5, 6, 7, 20 and 21, Climb and slide apparatuses; Swing N Slide Corp., 1212 Barberry Drive, Janesville, Wisconsin 53545. Publication date Nov. 29, 1993.

Pp. 12, 13 and 18, Climb and slide apparatuses; ChildLife Inc., 55 Whitney Street, Holliston, Massachusetts 01746. Publication date 1995.

Primary Examiner—Mitchell Siegel

Attorney, Agent, or Firm—Richard B. O'Planick

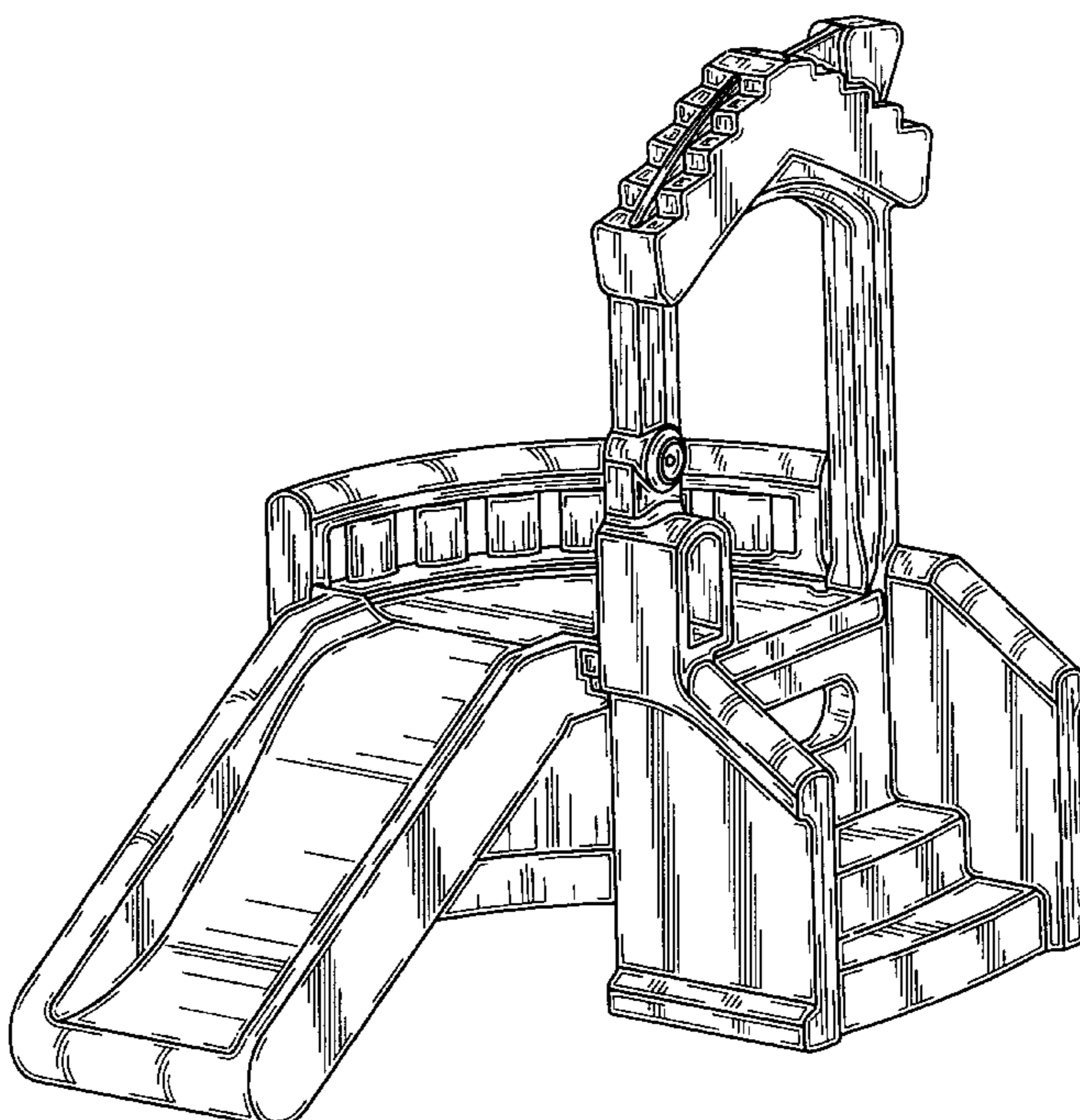
[57] **CLAIM**

The ornamental design for a climb and slide apparatus, as shown and described.

DESCRIPTION

FIG. 1 is a top right front perspective view of a climb and slide apparatus showing my new design; FIG. 2 is a top plan view thereof; FIG. 3 is a right side elevational view thereof; FIG. 4 is a front elevational view thereof; FIG. 5 is a left side elevational view thereof; FIG. 6 is a rear elevational view thereof; and, FIG. 7 is a bottom plan.

1 Claim, 7 Drawing Sheets



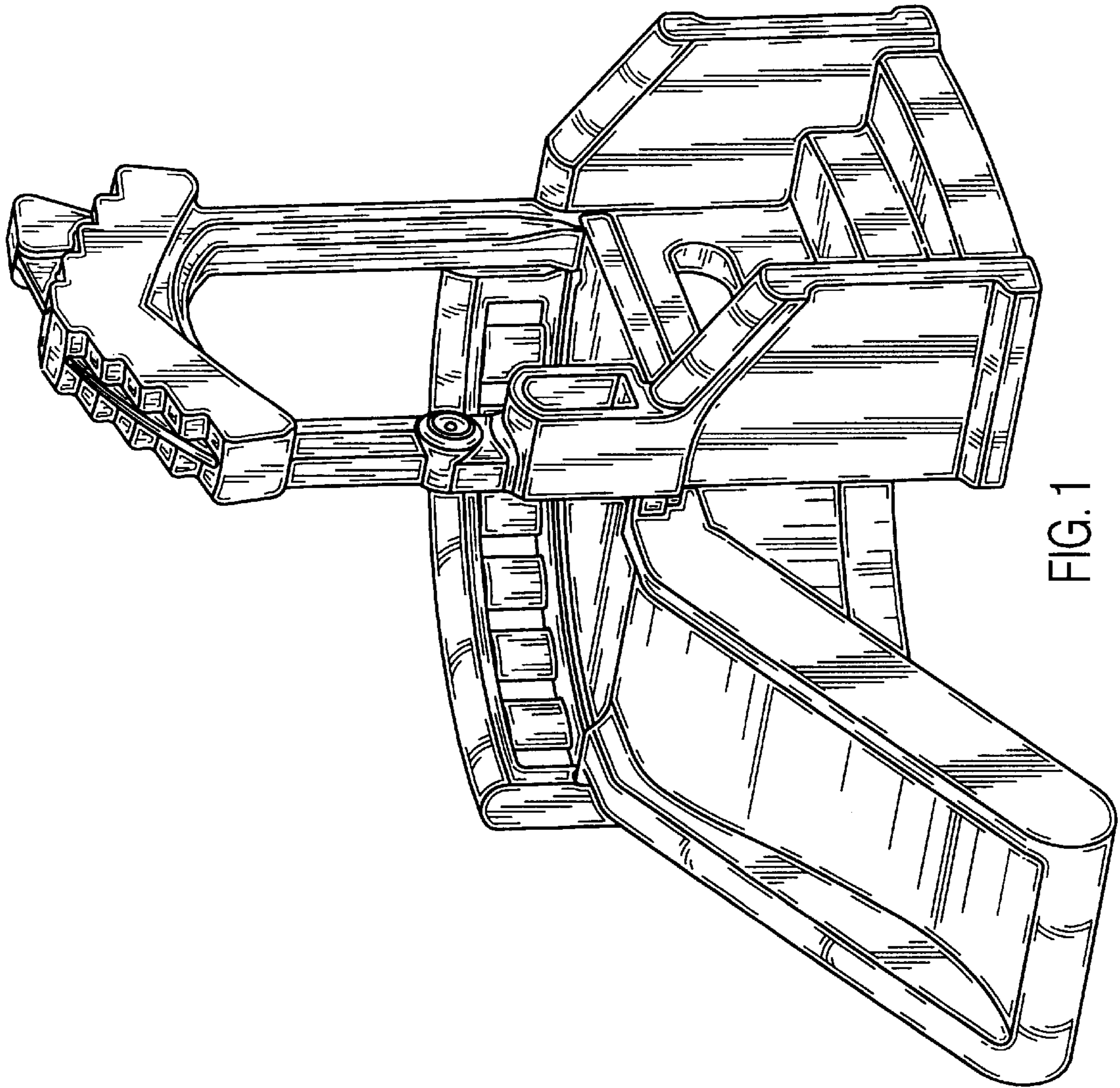


FIG. 1

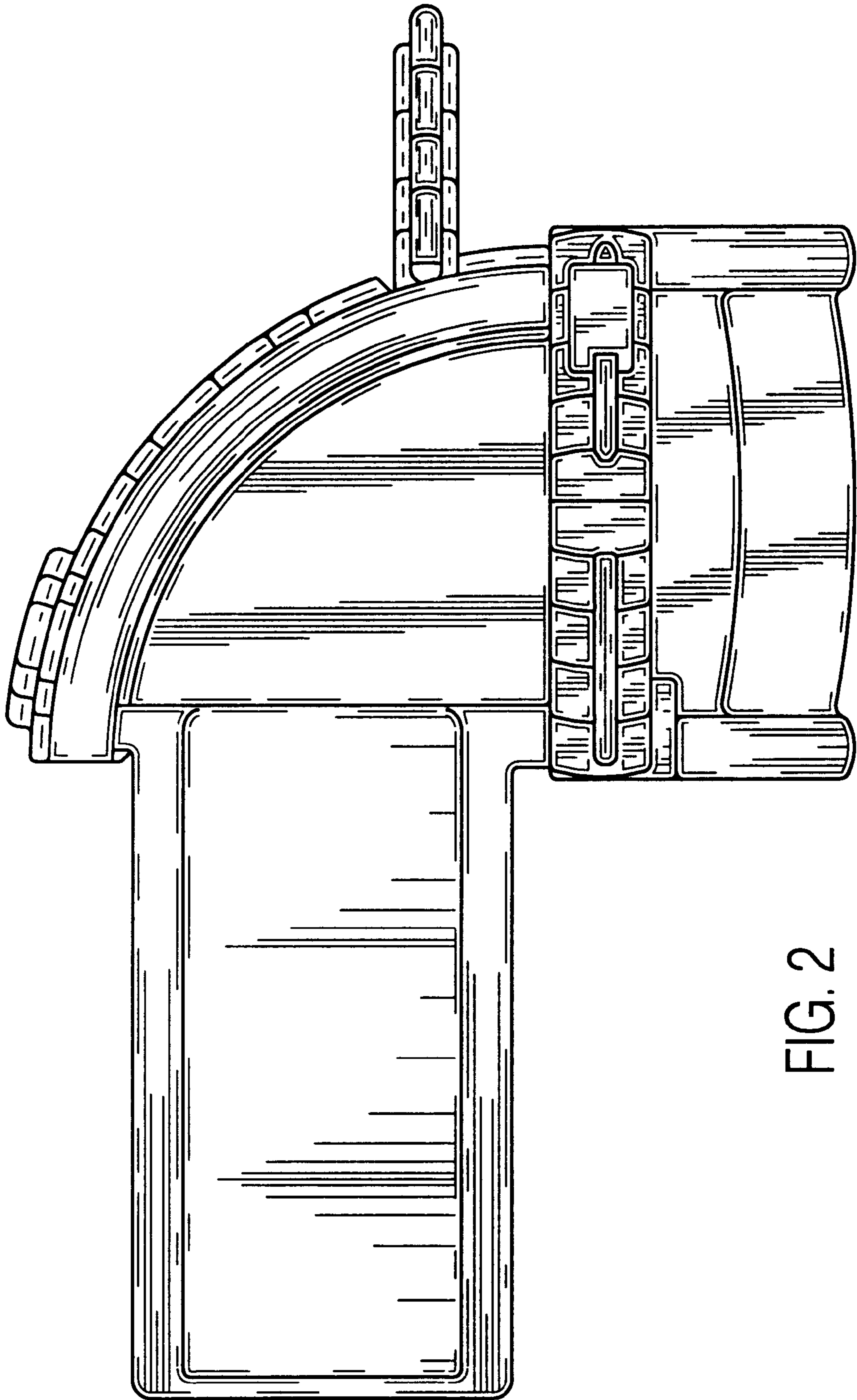


FIG. 2

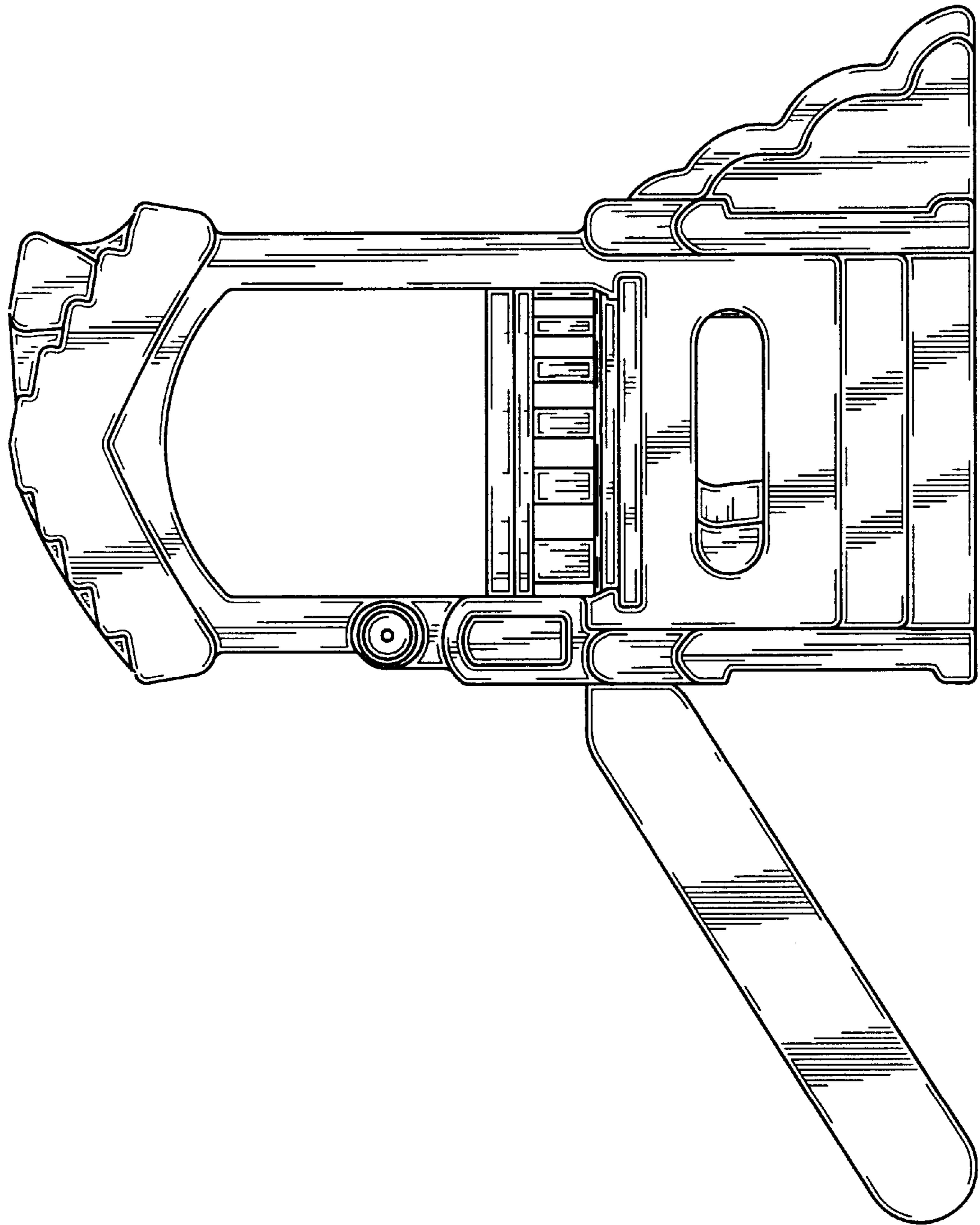


FIG. 3

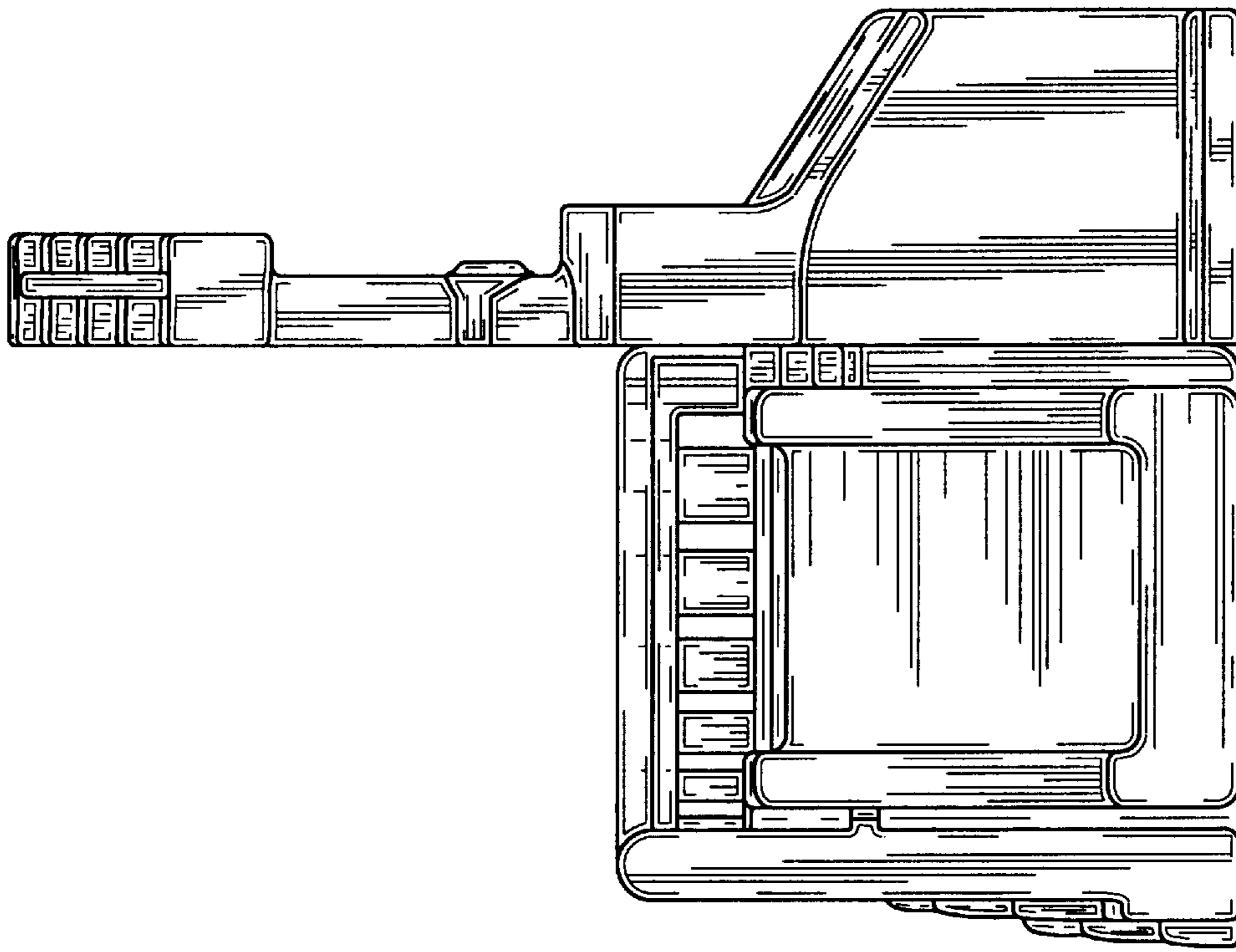


FIG. 4

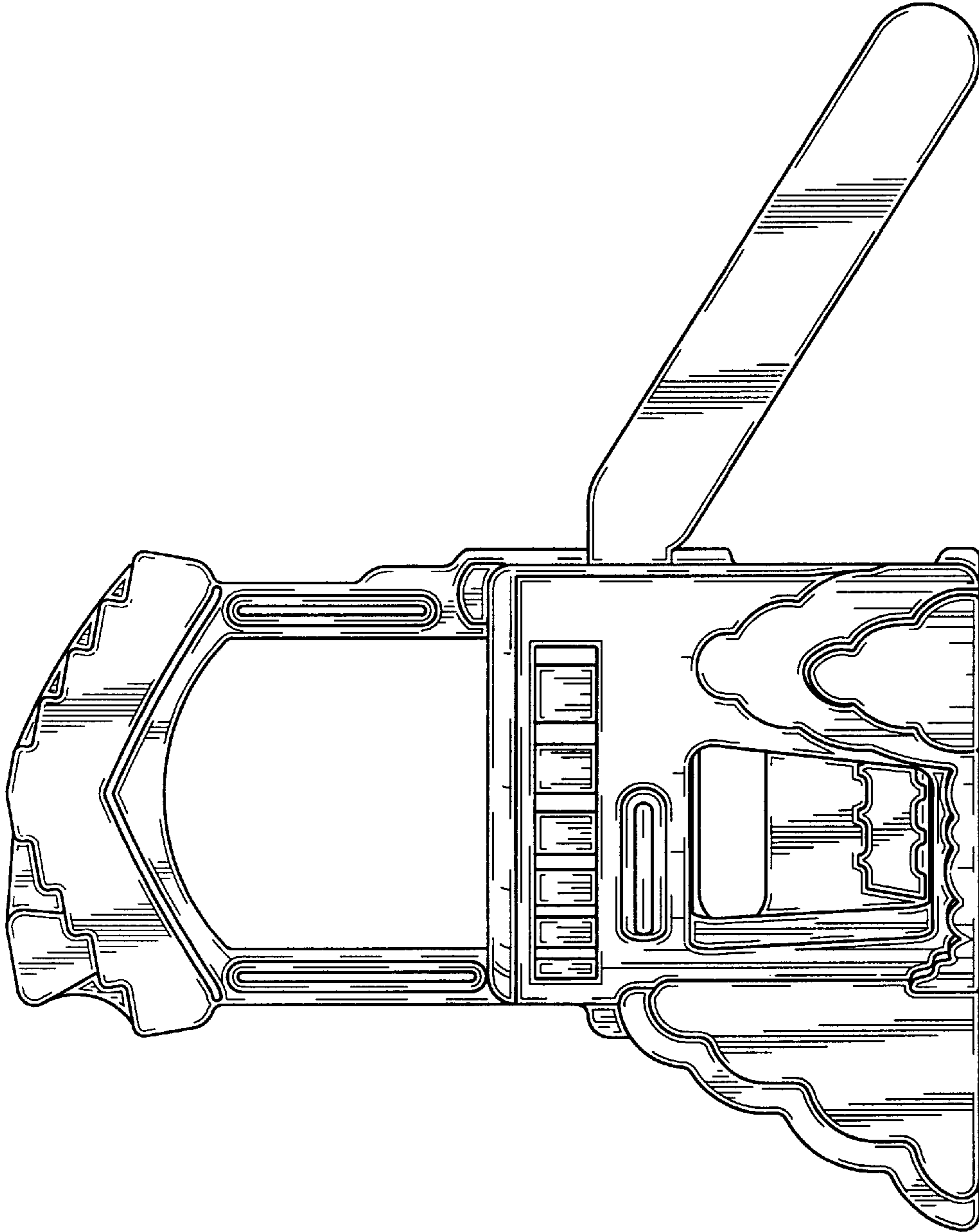


FIG. 5

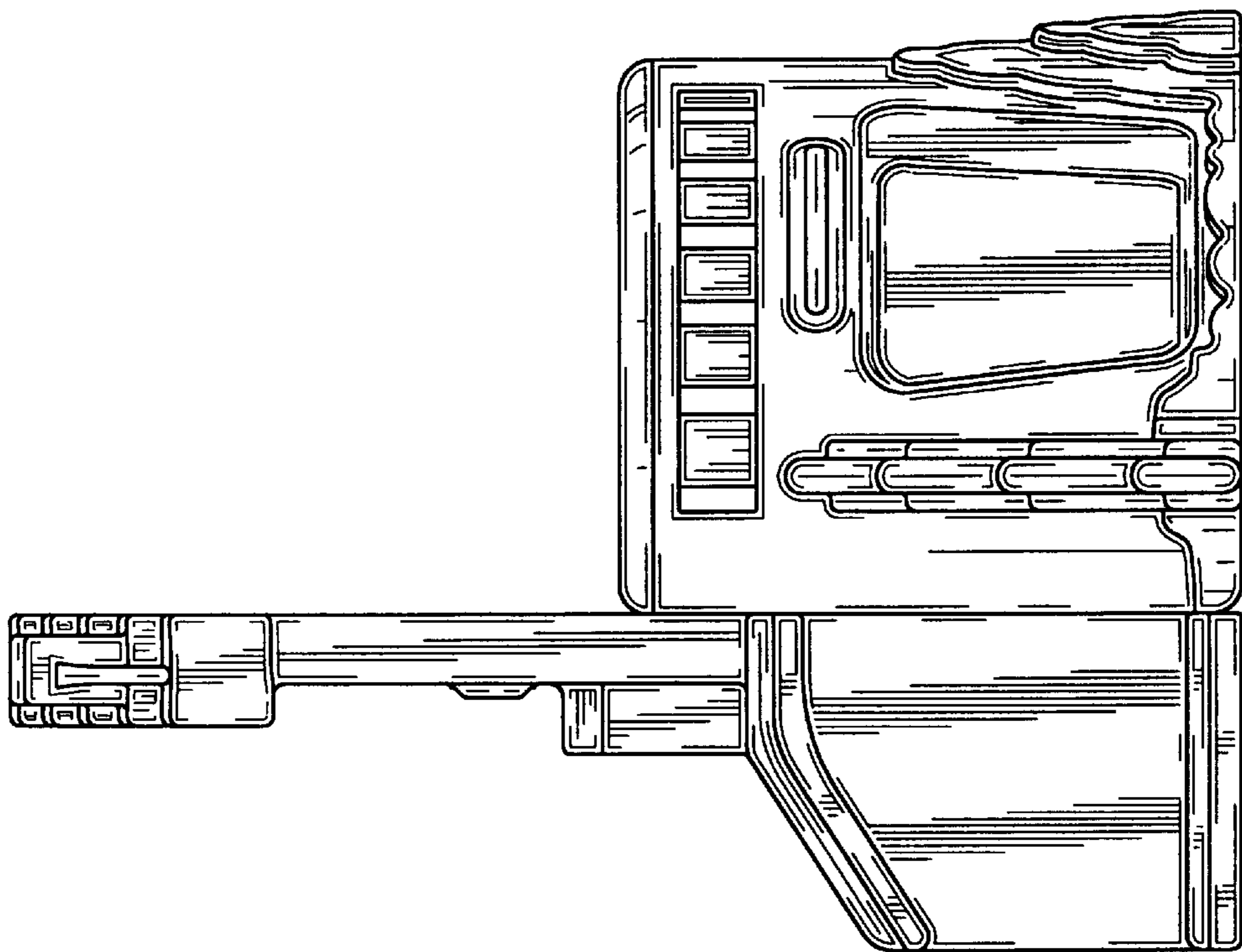


FIG. 6

