



US00D418891S

# United States Patent [19] Sirak

[11] **Patent Number: Des. 418,891**

[45] **Date of Patent: \*\* Jan. 11, 2000**

[54] **GOLF PUTTING DEVICE**

[76] Inventor: **Mark L. Sirak**, 4281 Glenmore Rd.  
NW., Canton, Ohio 44718

[\*\*] Term: **14 Years**

[21] Appl. No.: **29/102,343**

[22] Filed: **Mar. 23, 1999**

[51] **LOC (7) Cl. .... 21-02**

[52] **U.S. Cl. .... D21/791**

[58] **Field of Search ..... D21/789, 791;  
473/160, 163**

5,460,379	10/1995	Cleland .	
5,501,462	3/1996	Shih .....	473/163
5,529,304	6/1996	Wood .....	473/163
5,595,543	1/1997	Wolk .	
5,733,200	3/1998	Kim .	

*Primary Examiner*—Mitchell Siegel  
*Attorney, Agent, or Firm*—Calfee, Halter & Griswold LLP

### [57] CLAIM

The ornamental design for a golf putting device, as shown and described.

### DESCRIPTION

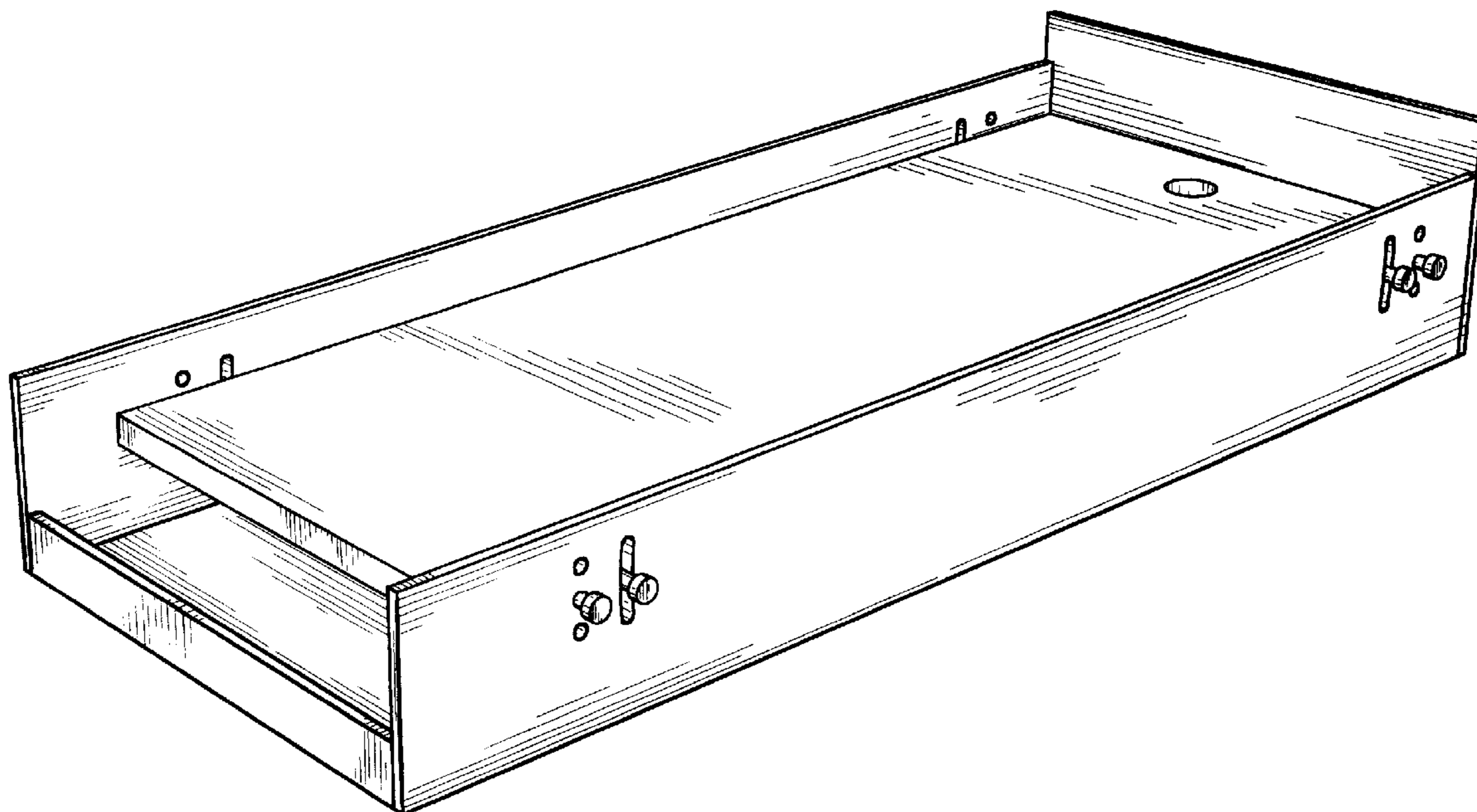
FIG. 1 is a perspective view of the golf putting device of the present invention;  
 FIG. 2 is a side elevation view of the golf putting device of the present invention;  
 FIG. 3 is a top view of the golf putting device of the present invention;  
 FIG. 4 is a bottom view of the golf putting device of the present invention;  
 FIG. 5 is an end elevation view of the golf putting device of the present invention;  
 FIG. 6 is an end elevation view of the golf putting device of the present invention; and,  
 FIG. 7 is a perspective view of the golf putting device of the present invention, the putting surface being disclosed in an alternate position.

### [56] References Cited

#### U.S. PATENT DOCUMENTS

3,595,581	7/1971	Anderson .	
3,639,923	2/1972	Stewart .	
3,672,682	6/1972	Yanagidaira .	
3,885,796	5/1975	King .	
3,917,280	11/1975	Grace .	
4,078,806	3/1978	Brandell .	
4,634,131	1/1987	Vella et al. .	
4,919,433	4/1990	Millat .	
4,984,791	1/1991	Labell .	
5,002,280	3/1991	Hines .	
5,171,016	12/1992	Kamal .....	473/160
5,172,914	12/1992	Primerano .	
5,301,947	4/1994	Kim .	
5,441,266	8/1995	Cedrone .....	473/160

**1 Claim, 2 Drawing Sheets**



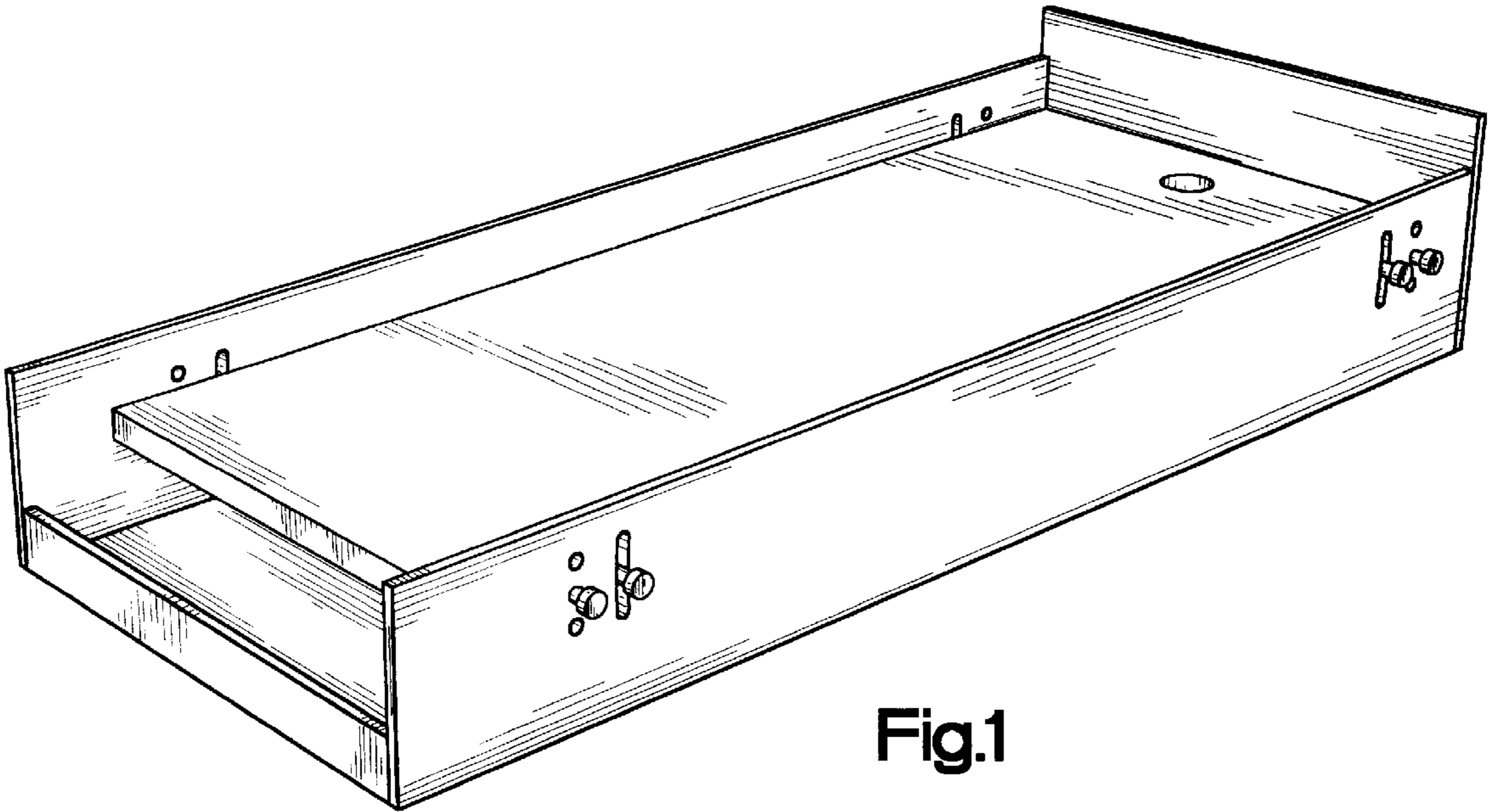


Fig.1

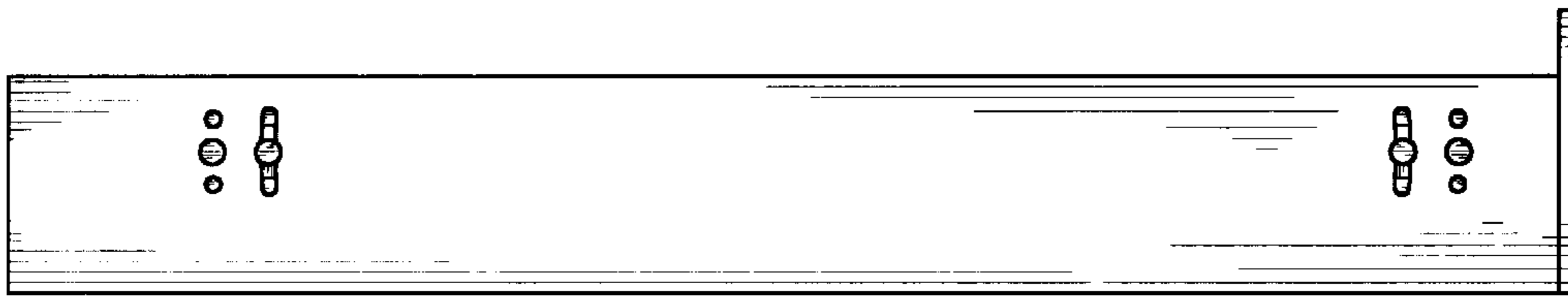


Fig.2

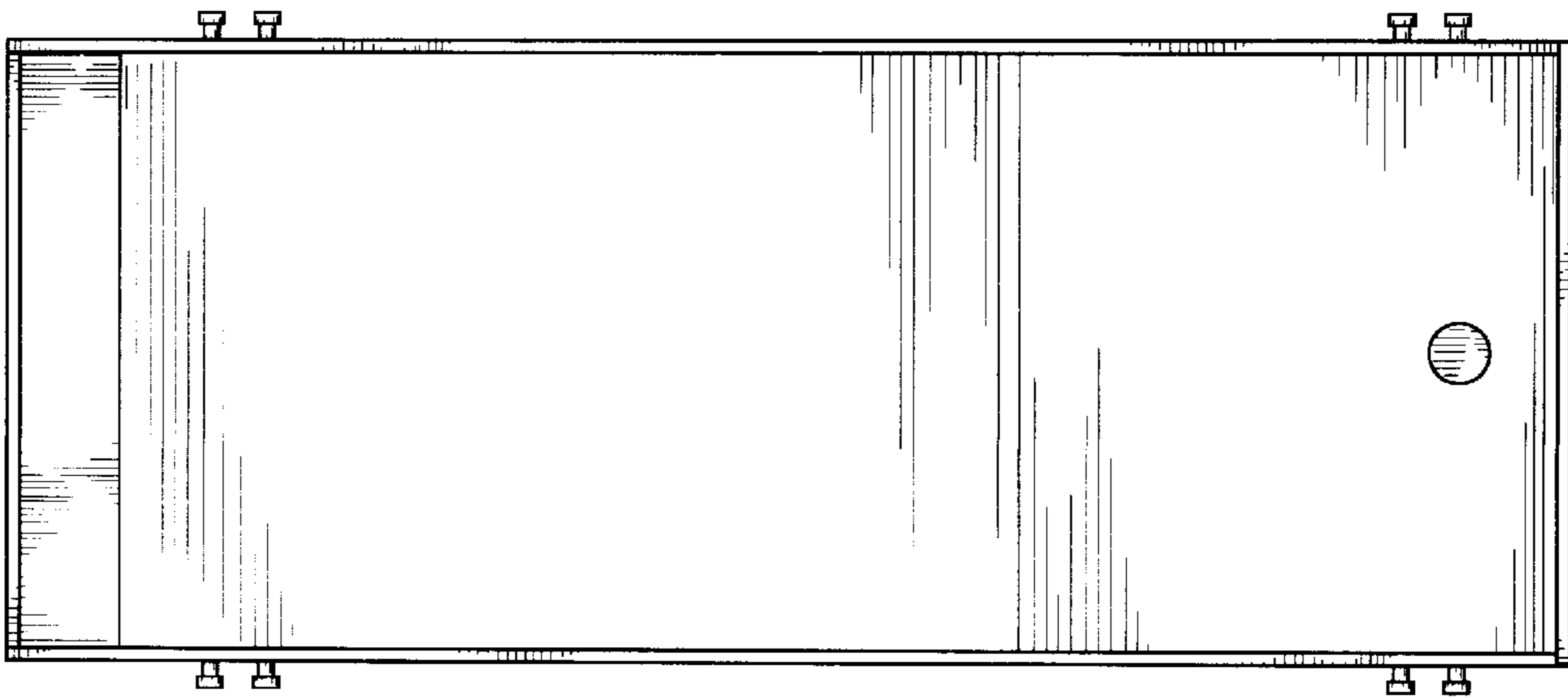


Fig.3

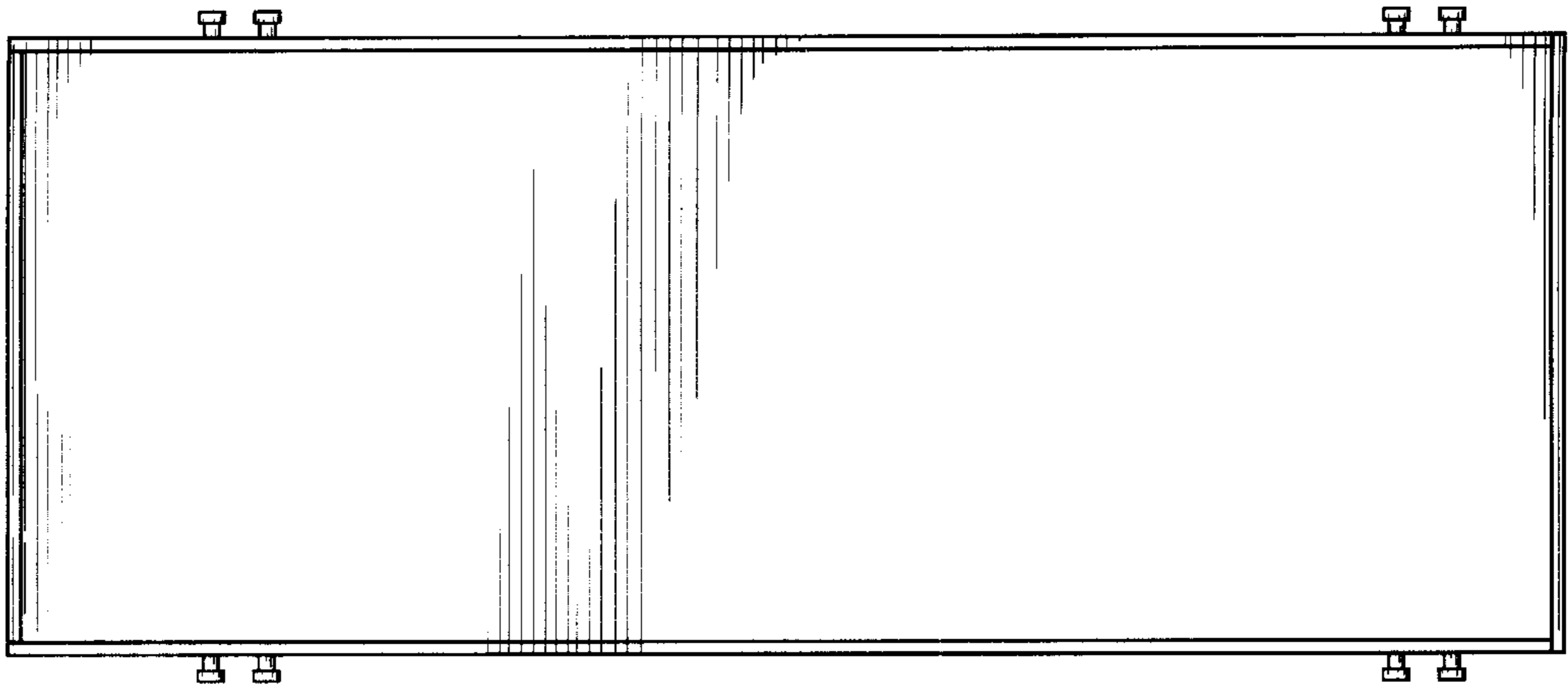


Fig.4

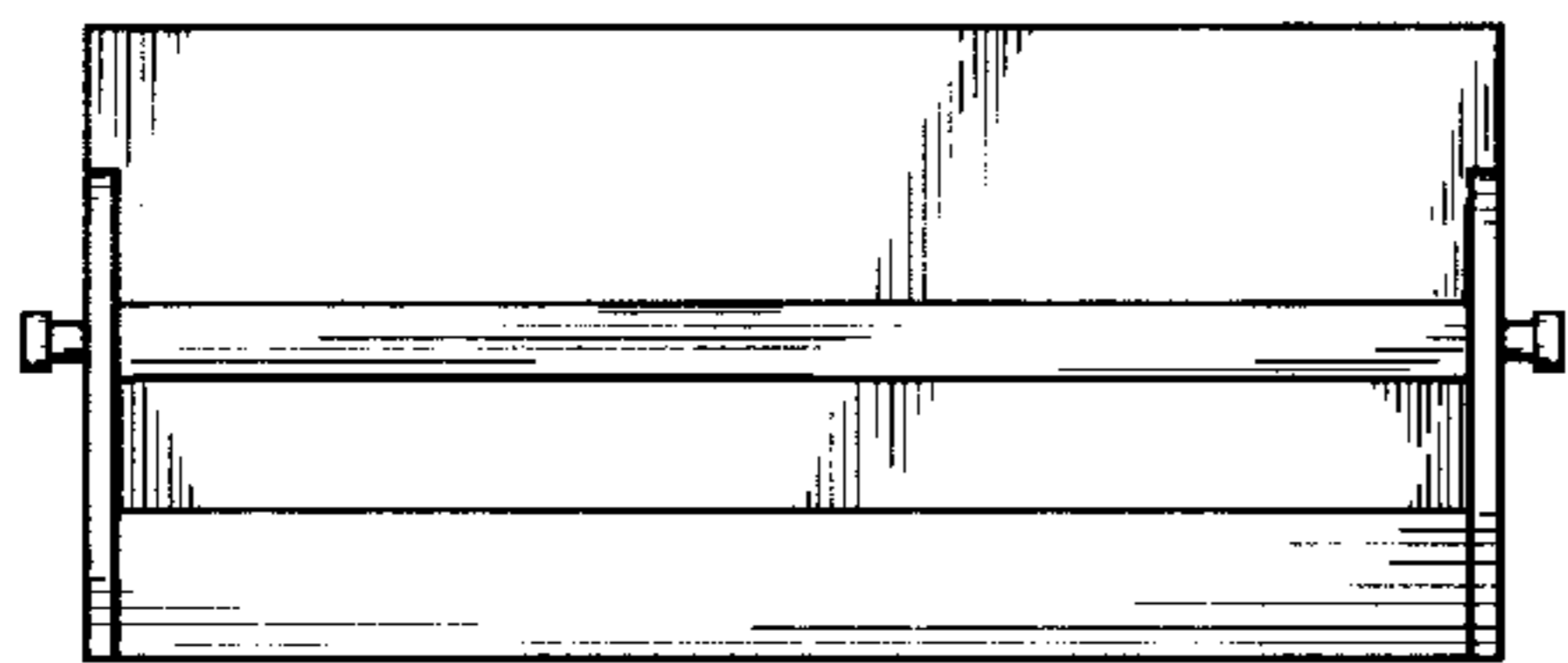


Fig.5

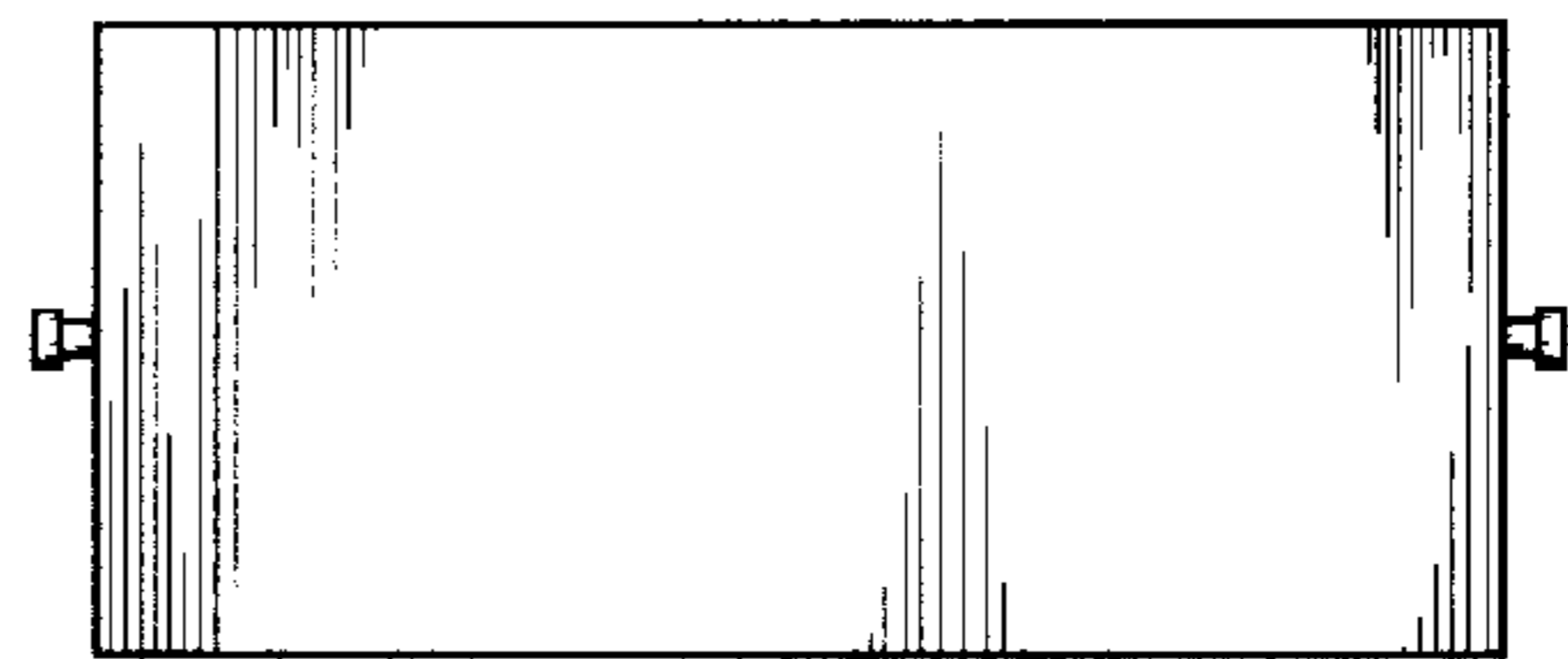


Fig.6

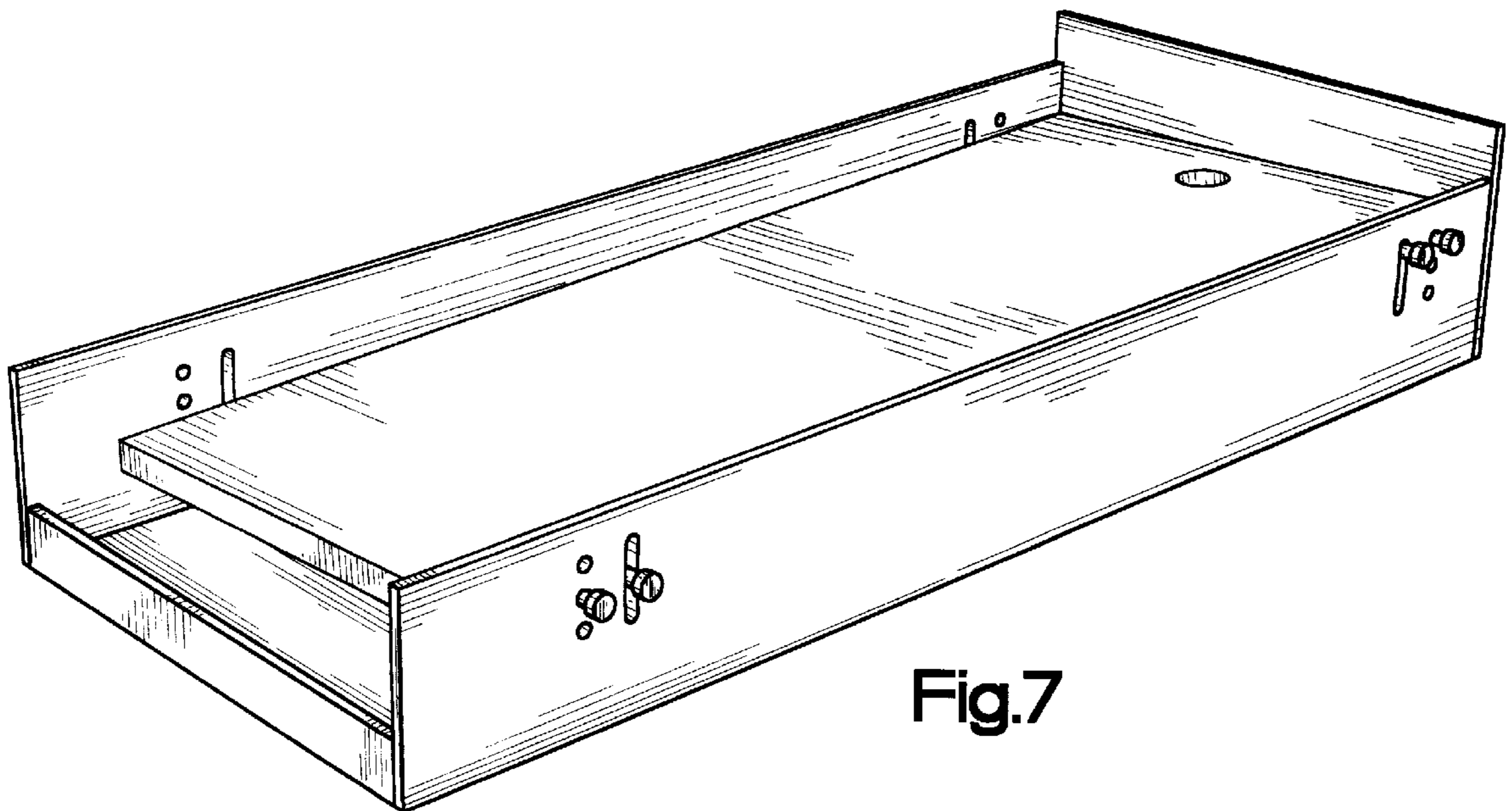


Fig.7