



US00D41888S

United States Patent [19]
Williams, Jr.

[11] **Patent Number: Des. 418,888**
[45] **Date of Patent: ** Jan. 11, 2000**

[54] **METAL WOOD CLUB HEAD**

D. 406,292 3/1999 Loung D21/733

[75] Inventor: **Robert J. Williams, Jr.**, Palm Desert, Calif.

Primary Examiner—Mitchell Siegel
Attorney, Agent, or Firm—Robert A. Koons, Jr.; Kenneth Crimaldi; Pepper Hamilton LLP

[73] Assignee: **Confidence Golf, Inc.**, Thousand Palms, Calif.

[57] **CLAIM**

[**] Term: **14 Years**

The ornamental design for a metal wood club head, as shown and described.

[21] Appl. No.: **29/096,875**

DESCRIPTION

[22] Filed: **Nov. 23, 1998**

FIG. 1 is a front elevational view of a metal wood club head showing my new design;

[51] **LOC (7) Cl.** **21-02**

FIG. 2 is a right side elevational view of the metal wood club head;

[52] **U.S. Cl.** **D21/752**

[58] **Field of Search** D21/733, 752;
473/324, 327, 328, 330, 331, 345, 346

FIG. 3 is a rear elevational view of the metal wood club head;

[56] **References Cited**

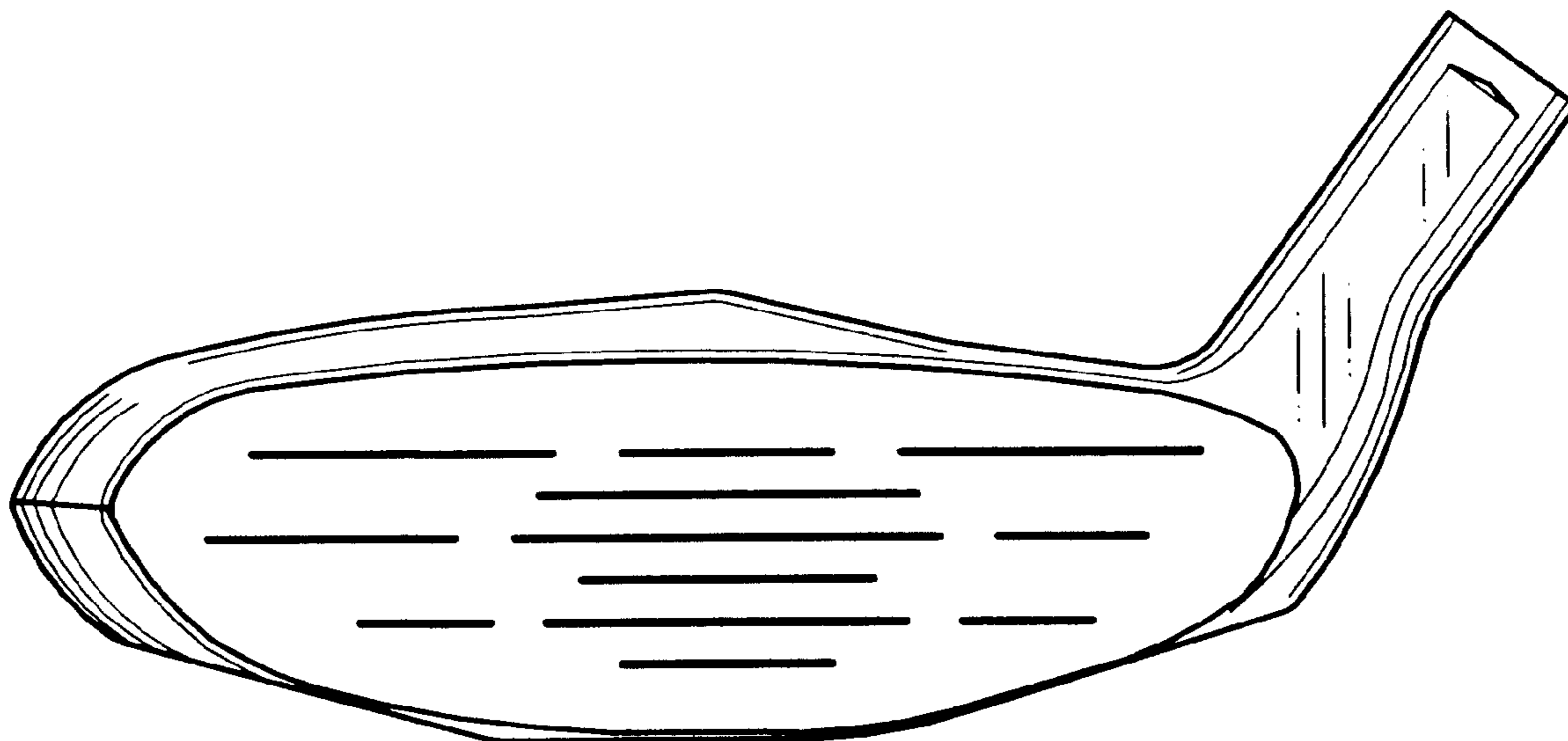
FIG. 4 is a left side toe-end elevational view of the metal wood club head;

U.S. PATENT DOCUMENTS

- D. 365,863 1/1996 Mugica et al. D21/733
- D. 385,607 10/1997 Adams D21/733
- D. 405,855 2/1999 Loung D21/733

FIG. 5 is a top plan view of the metal wood club head; and,
FIG. 6 is a bottom plan view of the metal wood club head.

1 Claim, 2 Drawing Sheets



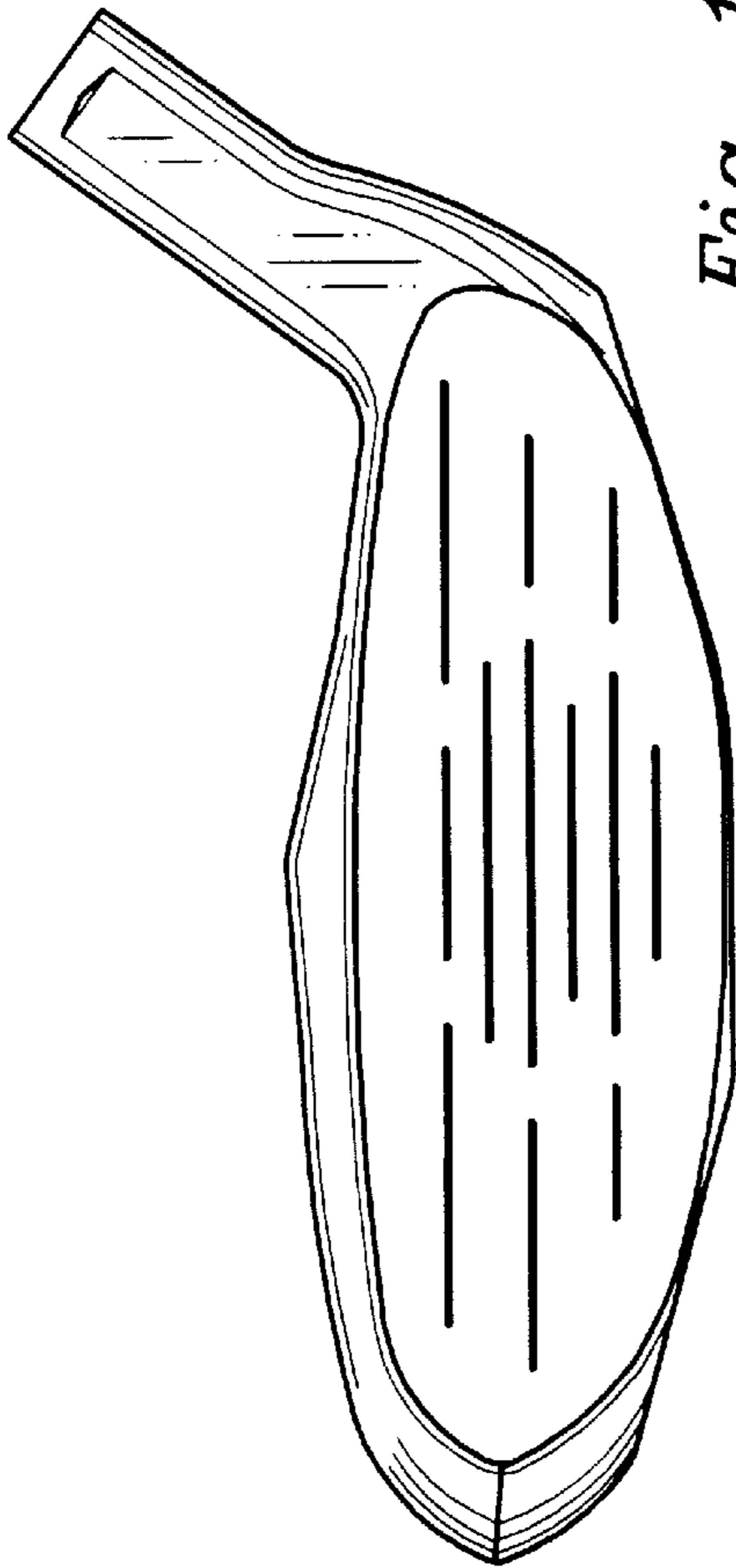


Fig. 1

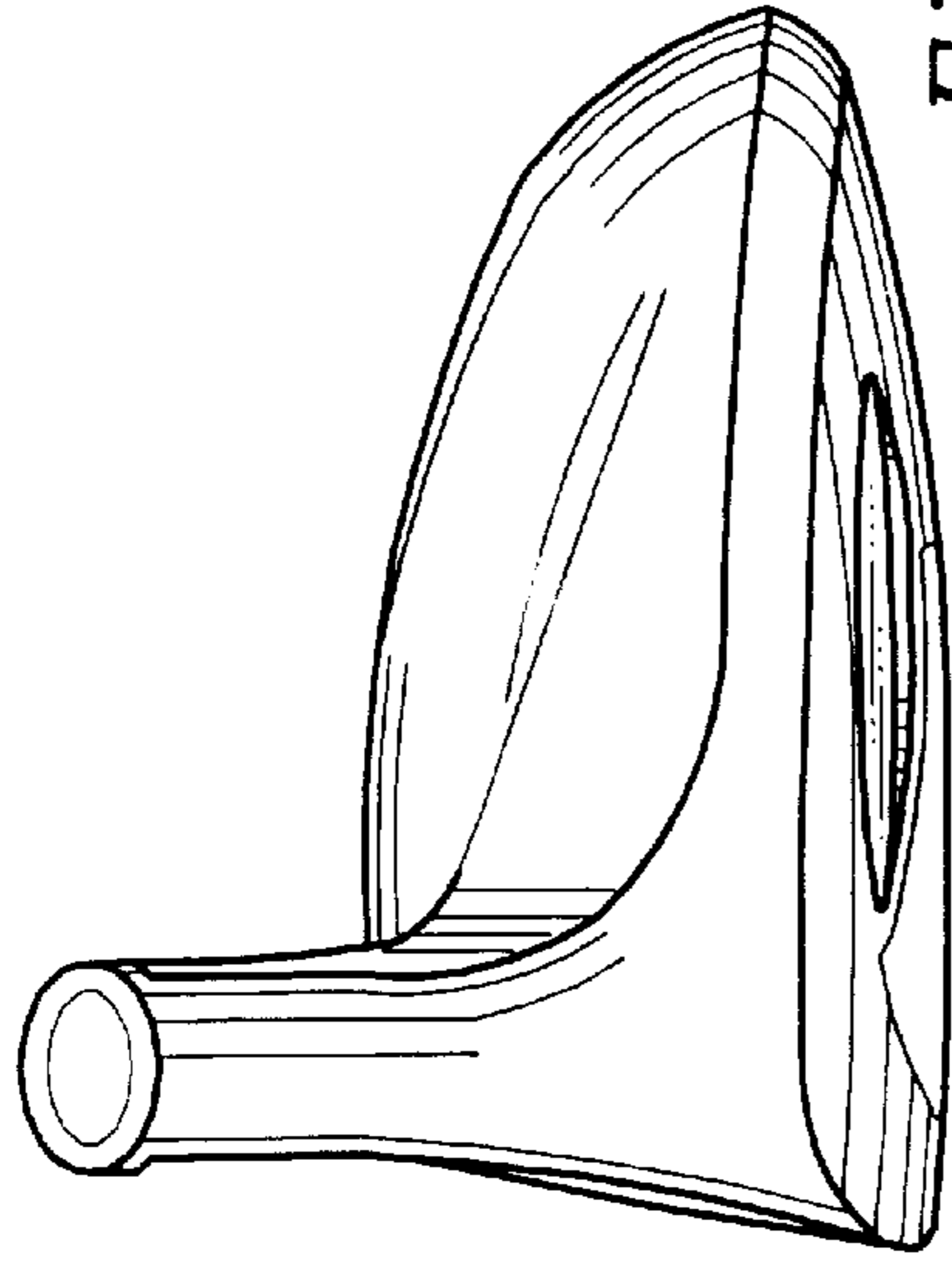


Fig. 2

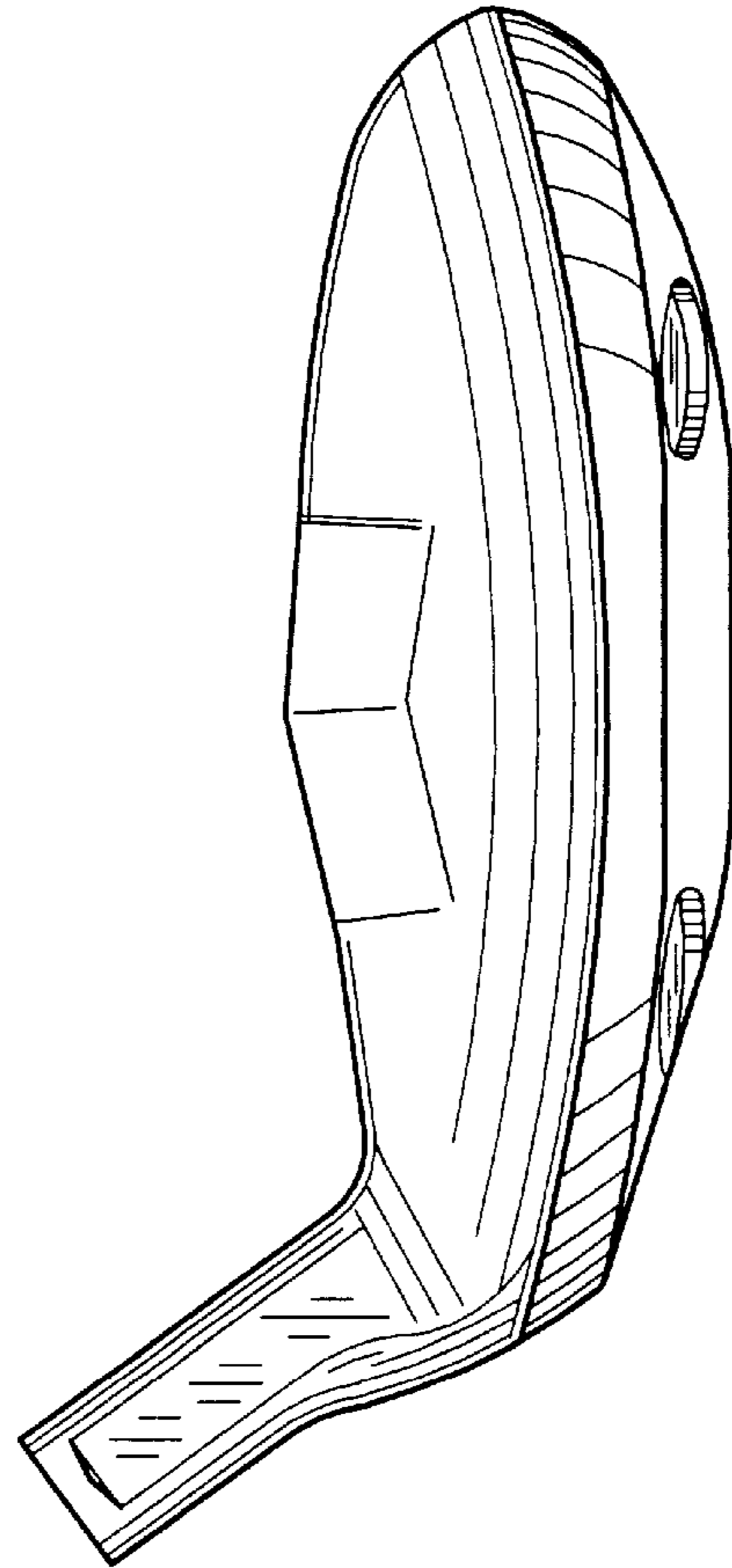


Fig. 3

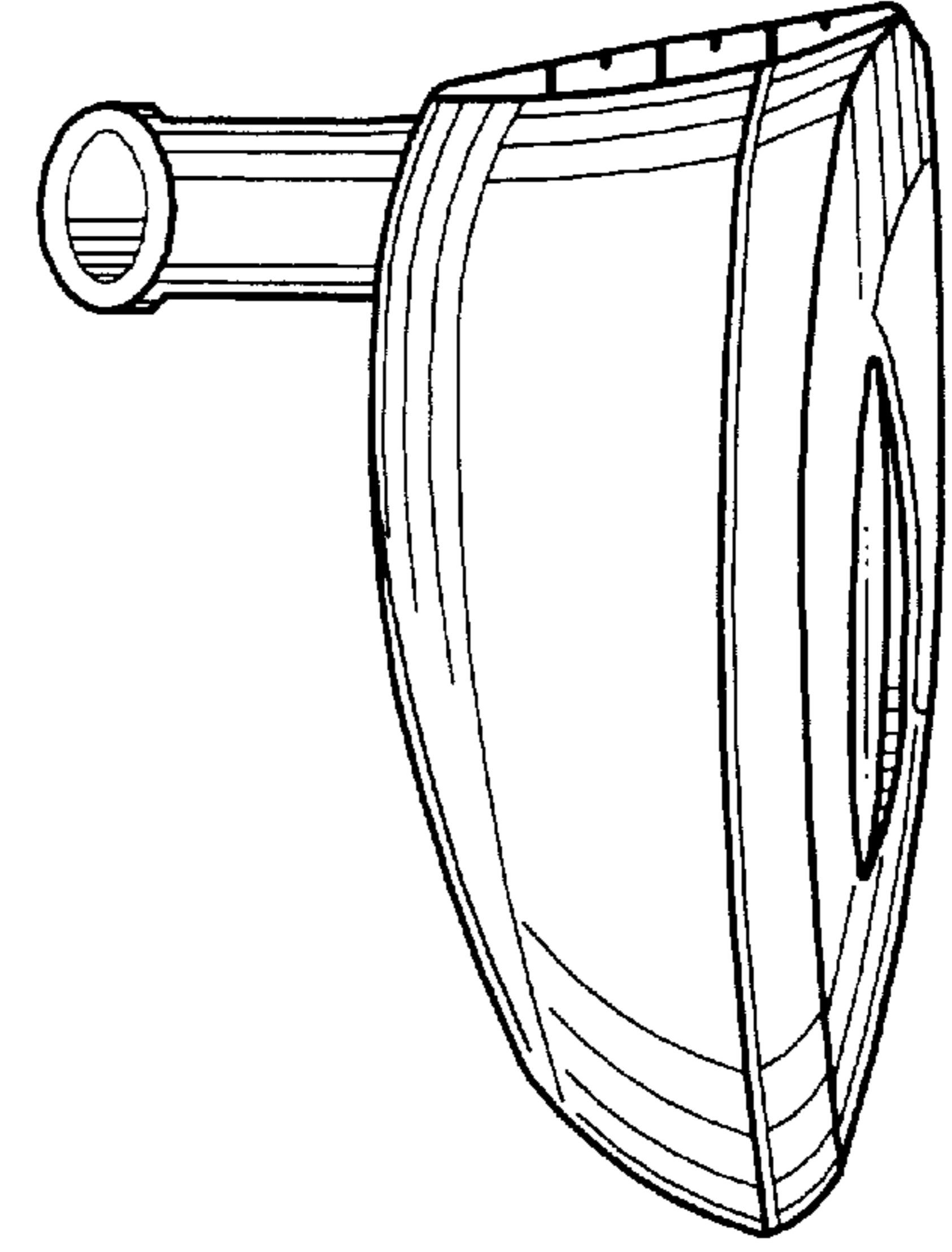


Fig. 4

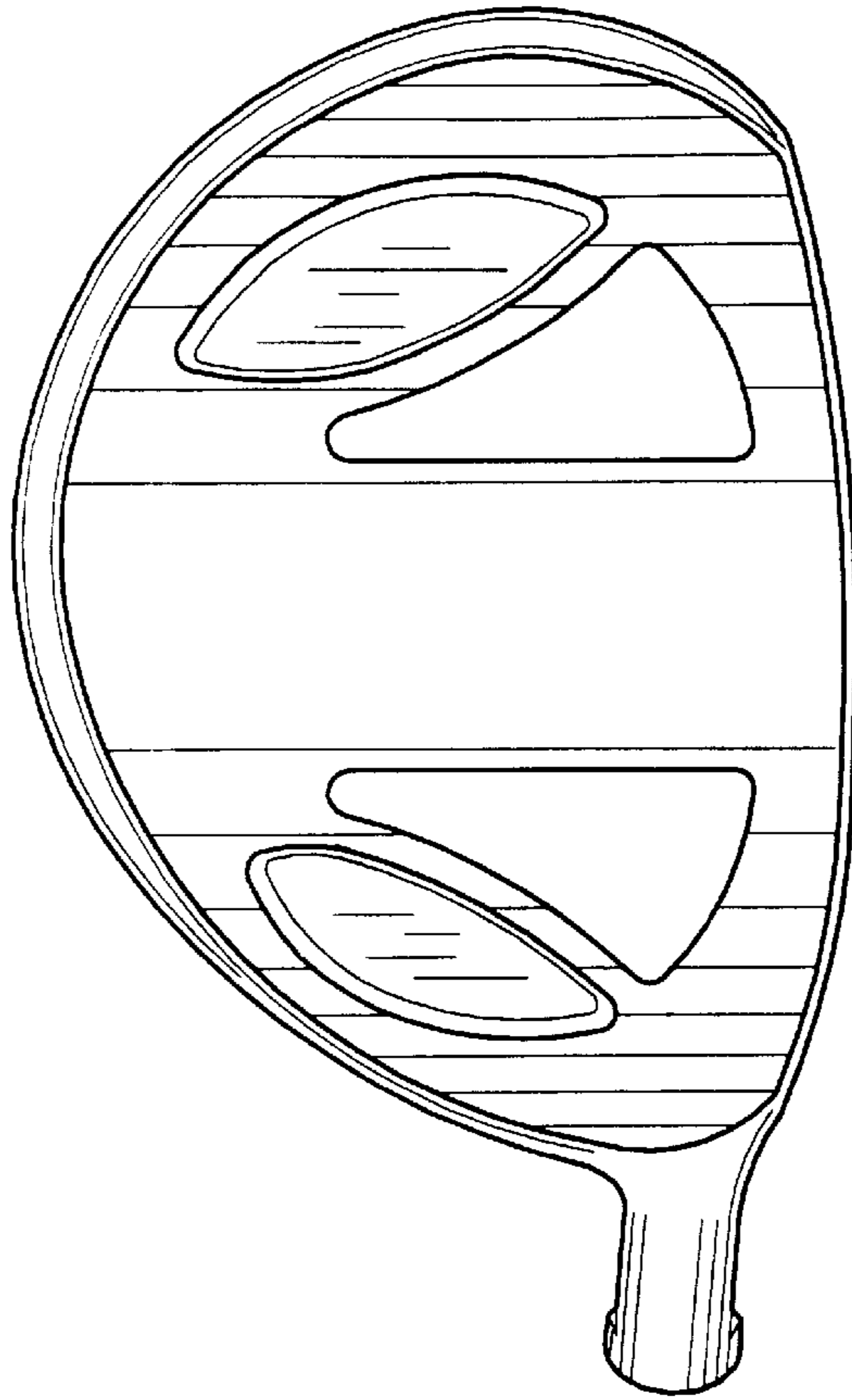


Fig. 6

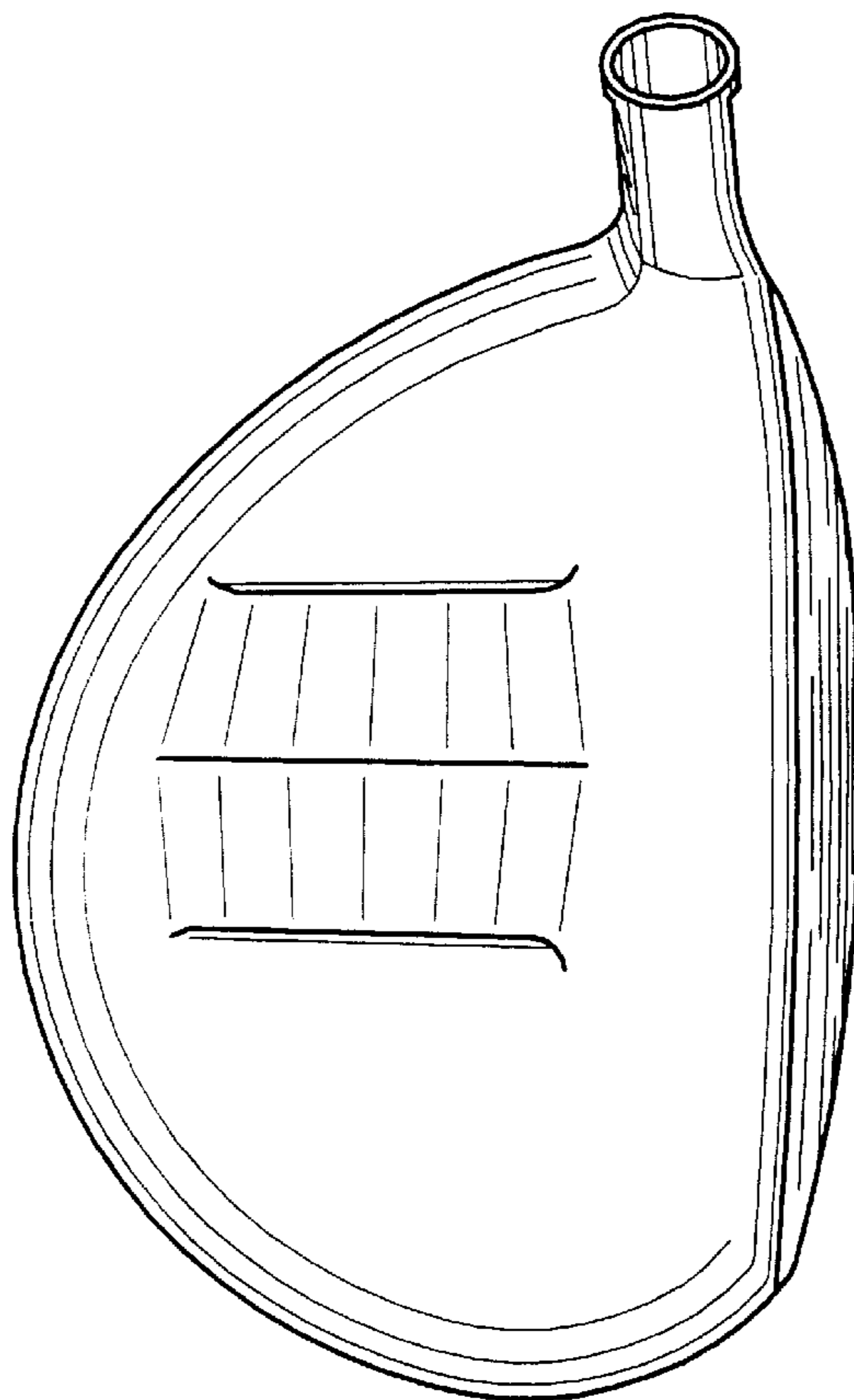


Fig. 5