



US00D418887S

**United States Patent** [19]  
**Williams, Jr.**

[11] **Patent Number: Des. 418,887**

[45] **Date of Patent: \*\* Jan. 11, 2000**

[54] **IRON CLUB HEAD**

[75] Inventor: **Robert J. Williams, Jr.**, Palm Desert, Calif.

[73] Assignee: **Confidence Golf, Inc.**, Thousand Palms, Calif.

[\*\*] Term: **14 Years**

[21] Appl. No.: **29/096,655**

[22] Filed: **Nov. 17, 1998**

[51] **LOC (7) Cl.** ..... **21-02**

[52] **U.S. Cl.** ..... **D21/749**

[58] **Field of Search** ..... D21/747-751;  
473/350, 324, 327, 328, 330, 331

[56] **References Cited**

**U.S. PATENT DOCUMENTS**

D. 313,829	1/1991	Antonious	.....	D21/748
D. 314,803	2/1991	Antonious	.....	D21/748
D. 348,091	6/1994	Allen	.....	D21/748
D. 359,539	6/1995	Allen	.....	D21/748
D. 362,041	9/1995	Takahashi et al.	.....	D21/749
D. 362,481	9/1995	Takahashi et al.	.....	D21/749
D. 383,819	9/1997	Takahashi et al.	.....	D21/749

D. 398,687	9/1998	Miyajima et al.	.....	D21/748
D. 400,943	11/1998	Ezaki	.....	D21/749
3,814,437	6/1974	Winqvist	.....	473/350
4,883,274	11/1989	Hsien	.....	473/350
5,377,985	1/1995	Ohnishi	.....	473/350
5,401,021	3/1995	Allen	.....	473/350
5,547,194	8/1996	Aizawa et al.	.....	473/350

*Primary Examiner*—Mitchell Siegel  
*Attorney, Agent, or Firm*—Robert A. Koons, Jr.; Russell G. Lindenfeldar; Pepper Hamilton LLP

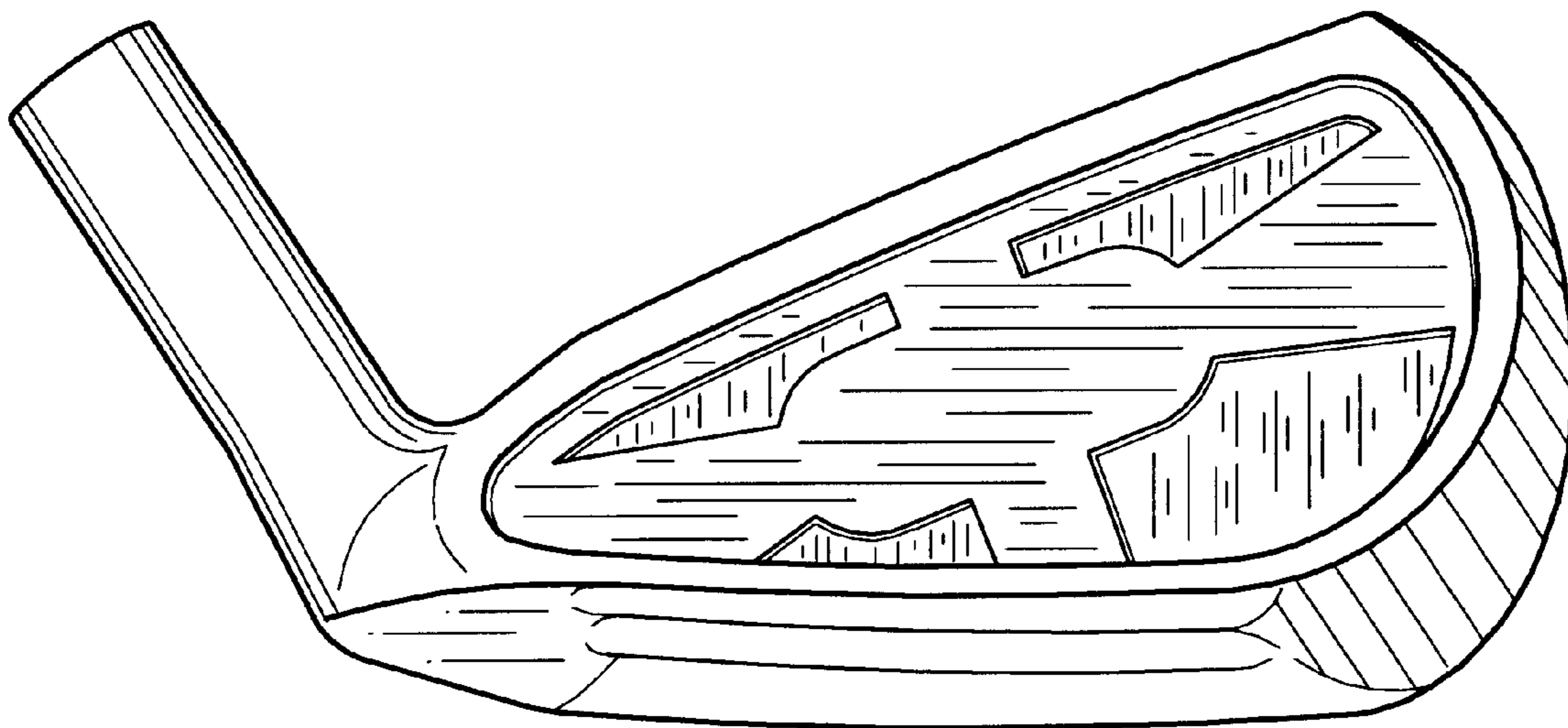
[57] **CLAIM**

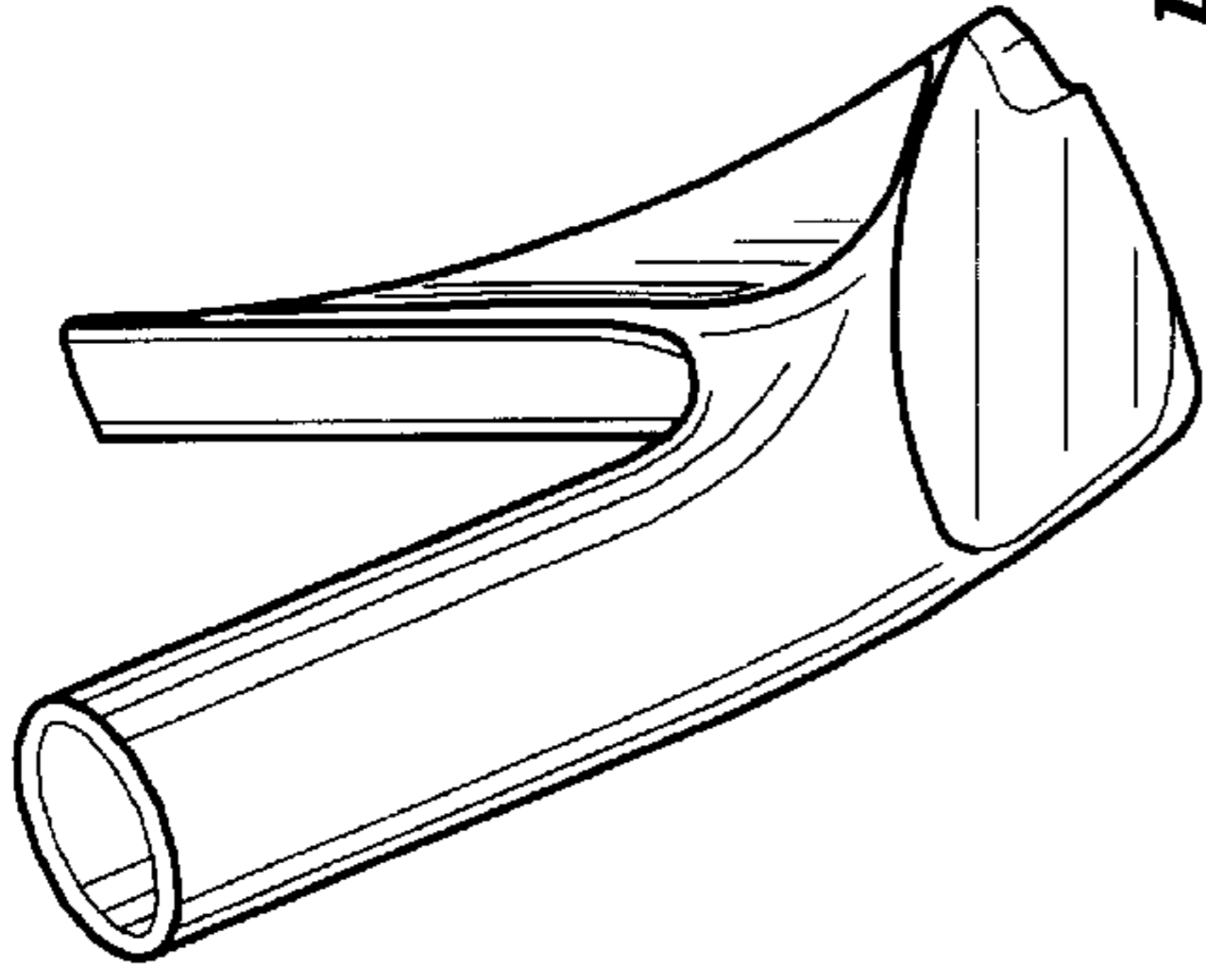
The ornamental design for an iron club head, as shown and described.

**DESCRIPTION**

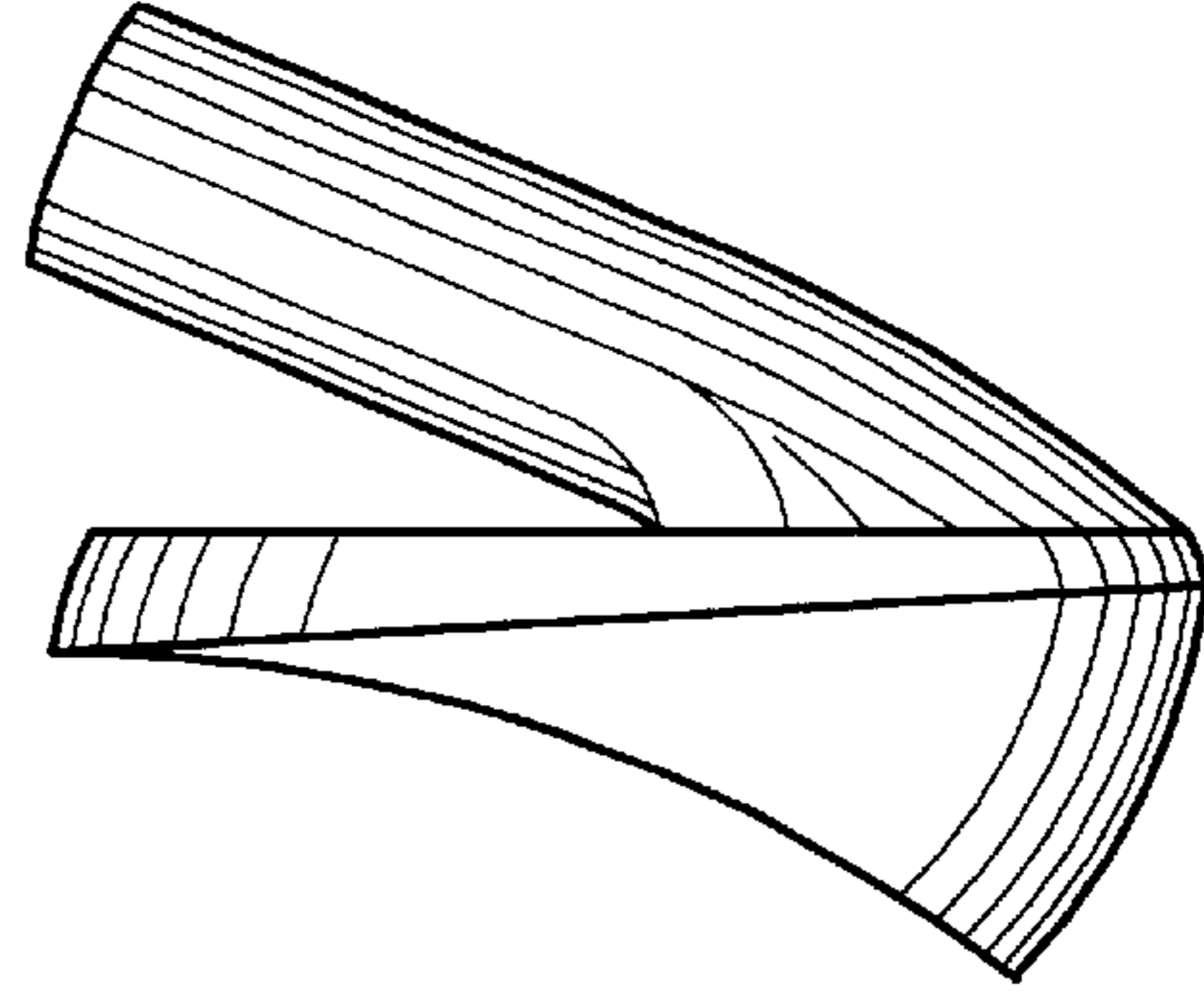
FIG. 1 is a front elevational view of an iron club head showing my new design;  
FIG. 2 is a right side elevational view of the iron club head;  
FIG. 3 is a rear elevational view of the iron club head;  
FIG. 4 is a left side toe-end elevational view of the iron club head;  
FIG. 5 is a top plan view of the iron club head; and,  
FIG. 6 is a bottom plan view of the iron club head.

**1 Claim, 2 Drawing Sheets**

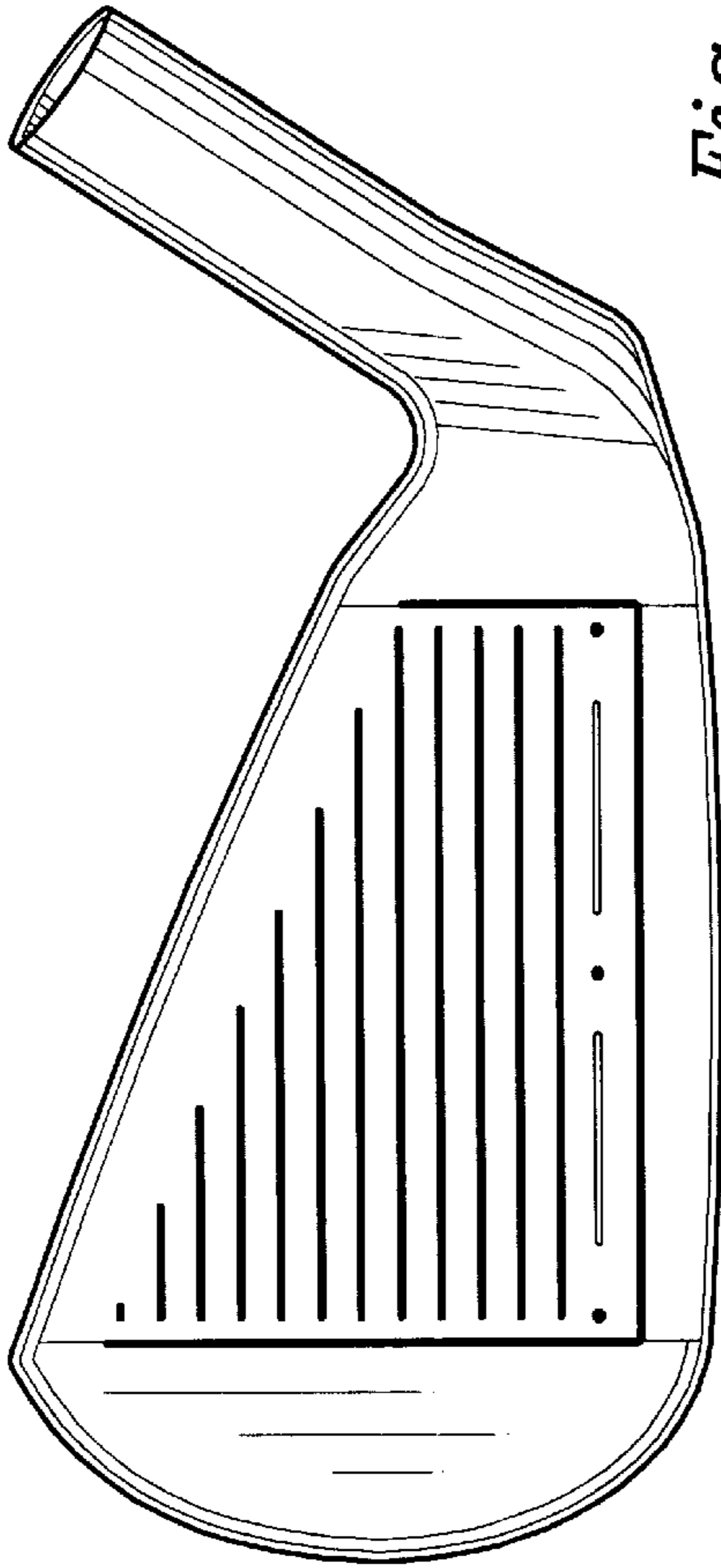




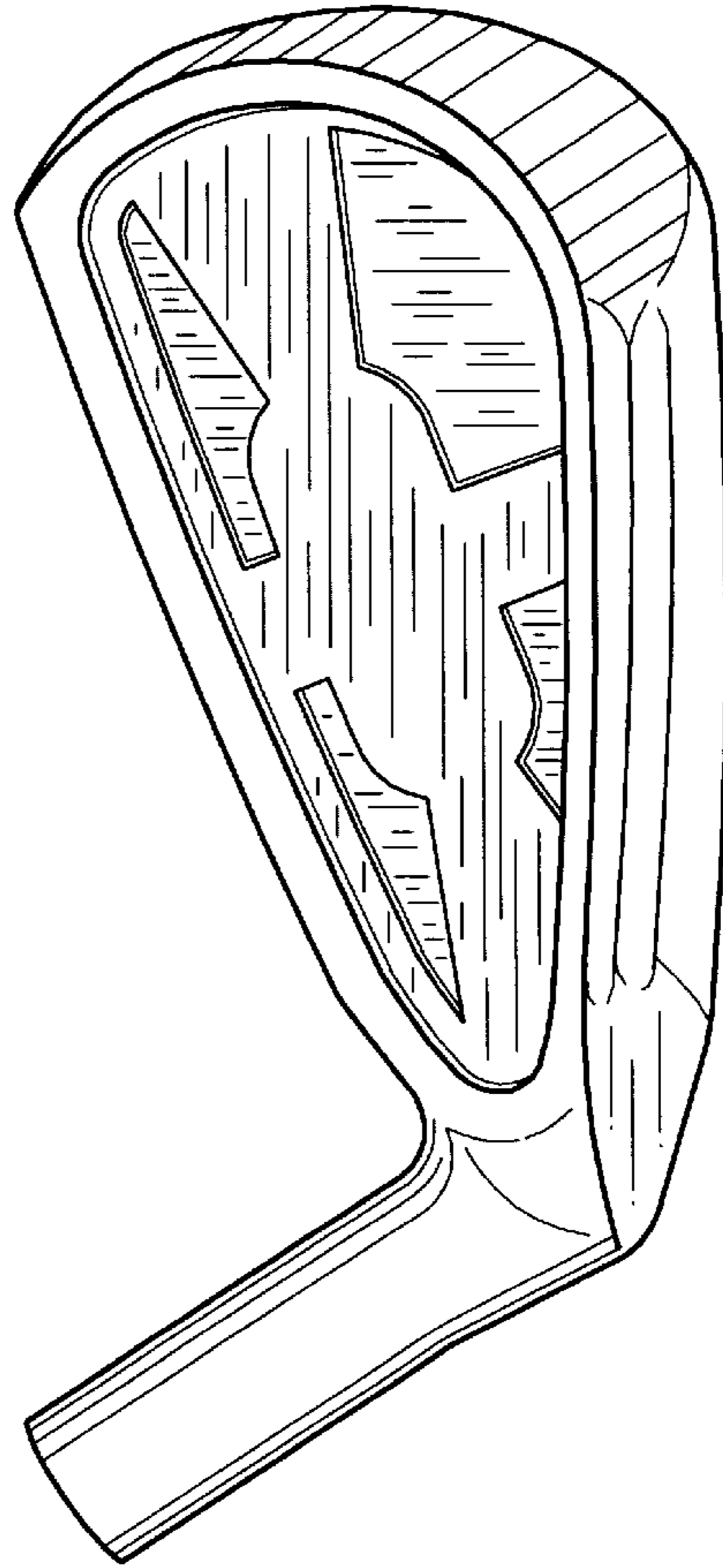
*Fig. 2*



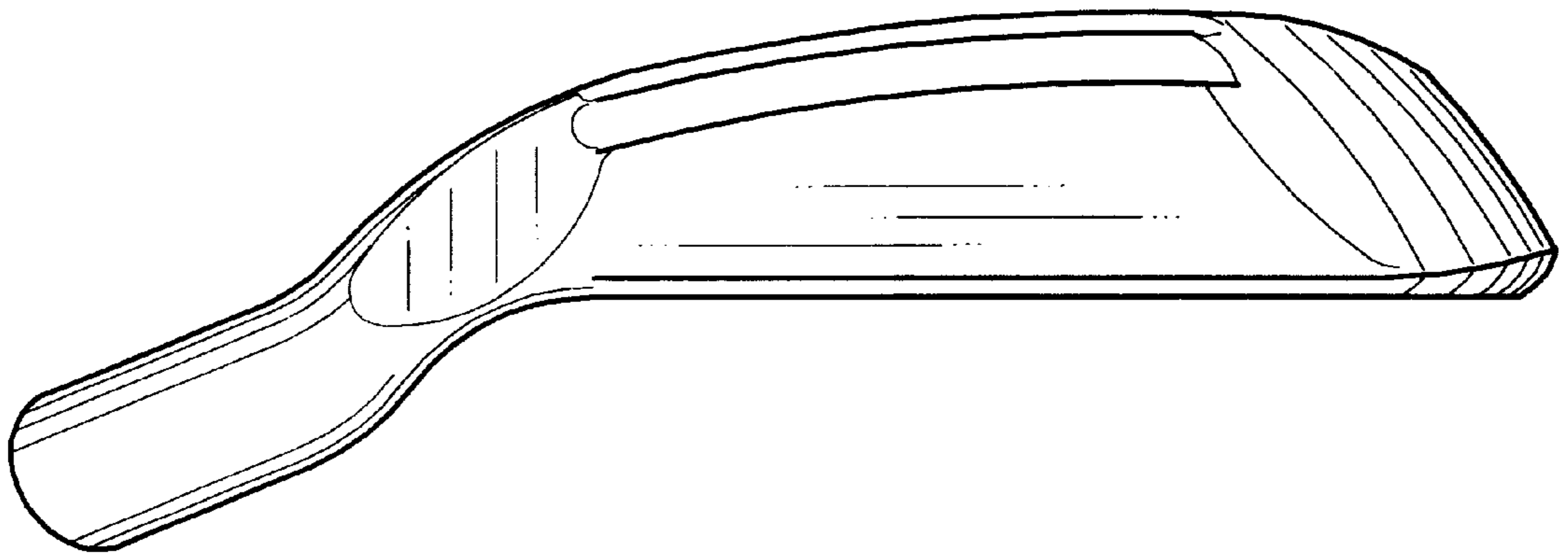
*Fig. 4*



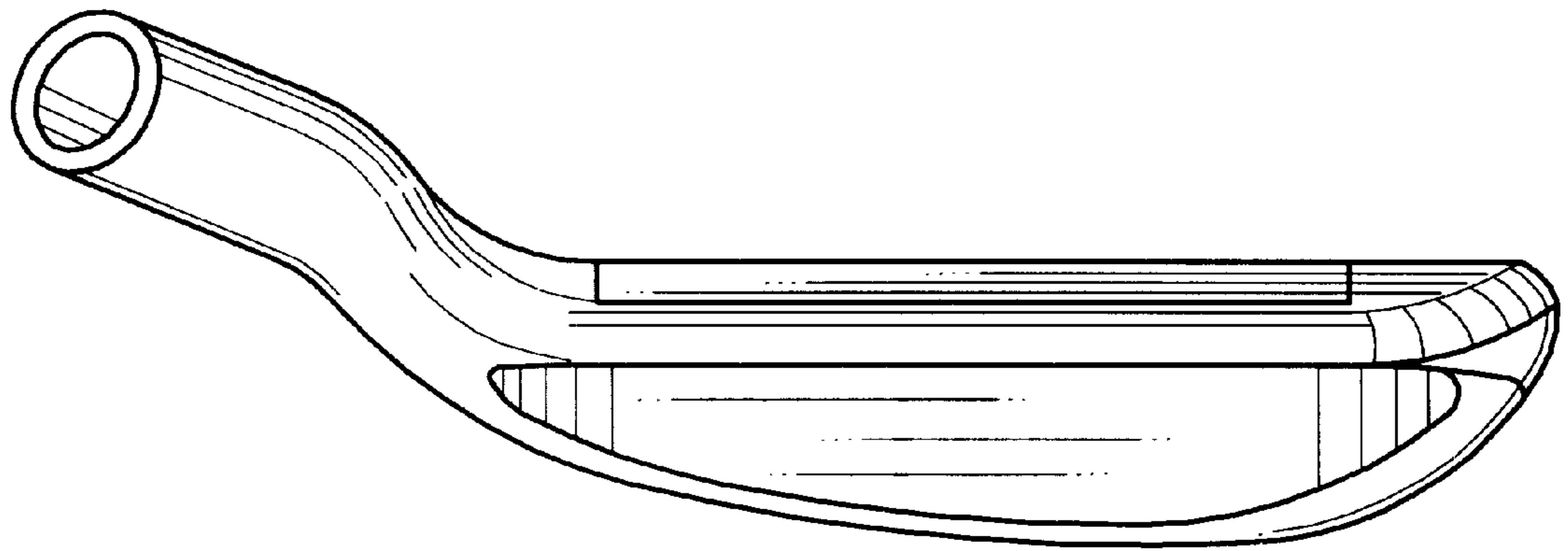
*Fig. 1*



*Fig. 3*



*Fig. 6*



*Fig. 5*