



US00D418882S

# United States Patent [19] Okawa

[11] **Patent Number: Des. 418,882**

[45] **Date of Patent: \*\* Jan. 11, 2000**

[54] **EXERCISE DEVICE**

[76] Inventor: **Hideo Okawa**, 83-1 Igadono,  
Oodako-cho, Midori-ku, Nagoya, Aichi  
459-8001, Japan

[\*\*] Term: **14 Years**

[21] Appl. No.: **29/092,941**

[22] Filed: **Aug. 31, 1998**

[30] **Foreign Application Priority Data**

May 11, 1998 [JP] Japan ..... 10-13403

[51] **LOC (7) Cl.** ..... **21-02**

[52] **U.S. Cl.** ..... **D21/691; D21/826**

[58] **Field of Search** ..... D21/662, 686,  
D21/687, 690, 691, 826; 482/140, 142,  
143, 144, 35, 36, 37

[56] **References Cited**

**U.S. PATENT DOCUMENTS**

D. 213,272 1/1969 Wormser ..... D21/827

D. 236,275	8/1975	Rudy	.....	D21/827
D. 296,808	7/1988	Urbanc	.....	D21/676
D. 353,420	12/1994	Koresec	.....	D21/691
4,860,734	8/1989	Lyu	.....	482/142
4,927,139	5/1990	Taltre	.....	482/142

*Primary Examiner*—Philip S. Hyder  
*Attorney, Agent, or Firm*—Oliff & Berridge, PLC

[57] **CLAIM**

The ornamental design for an exercise device, as shown and described.

**DESCRIPTION**

FIG. 1 is a front elevational view of an exercise device showing my new design;  
FIG. 2 is a rear elevational view thereof;  
FIG. 3 is a left side elevational view thereof;  
FIG. 4 is a right side elevational view thereof;  
FIG. 5 is a top plan view thereof; and,  
FIG. 6 is a bottom plan view thereof.

**1 Claim, 3 Drawing Sheets**

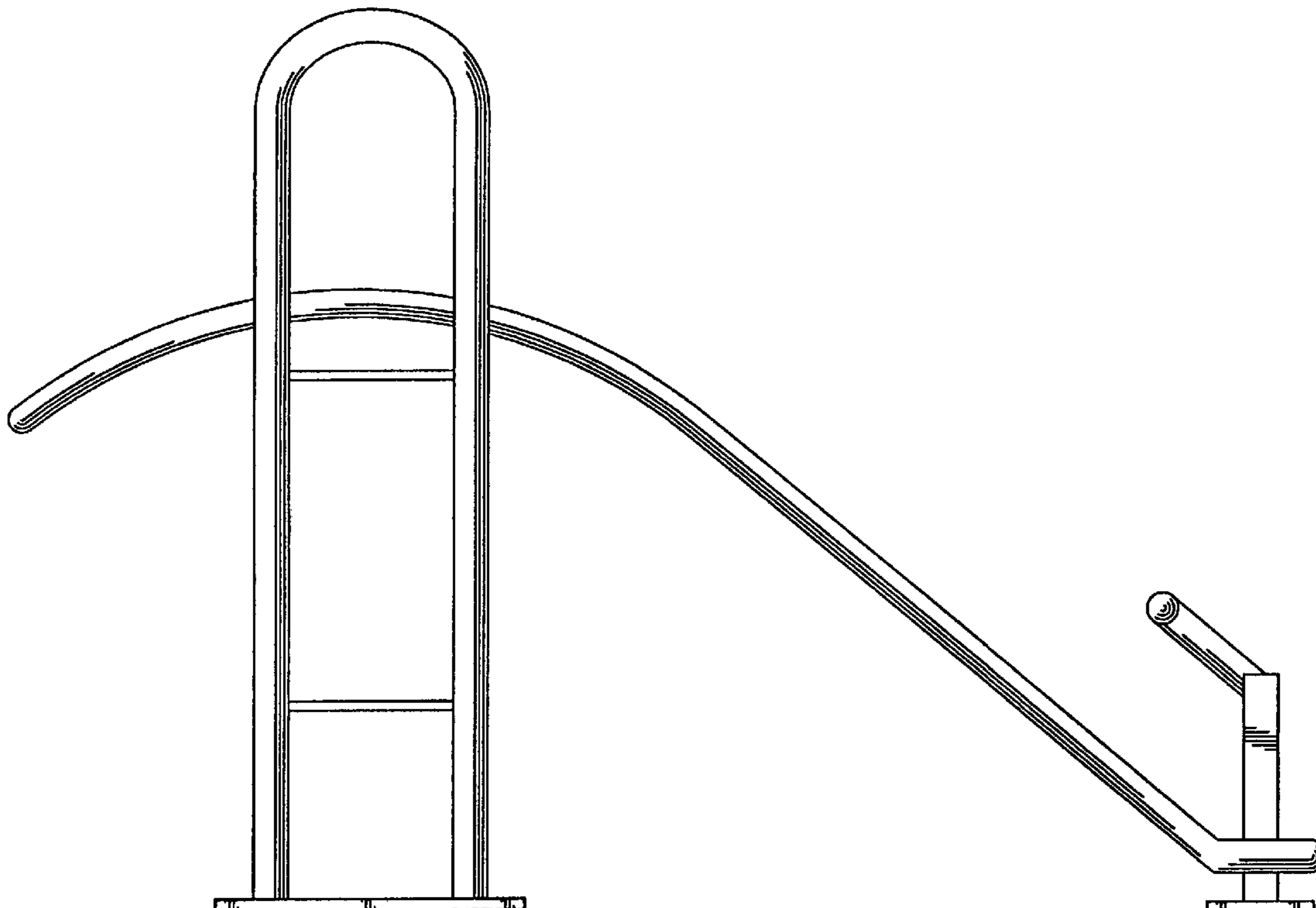


Fig. 1

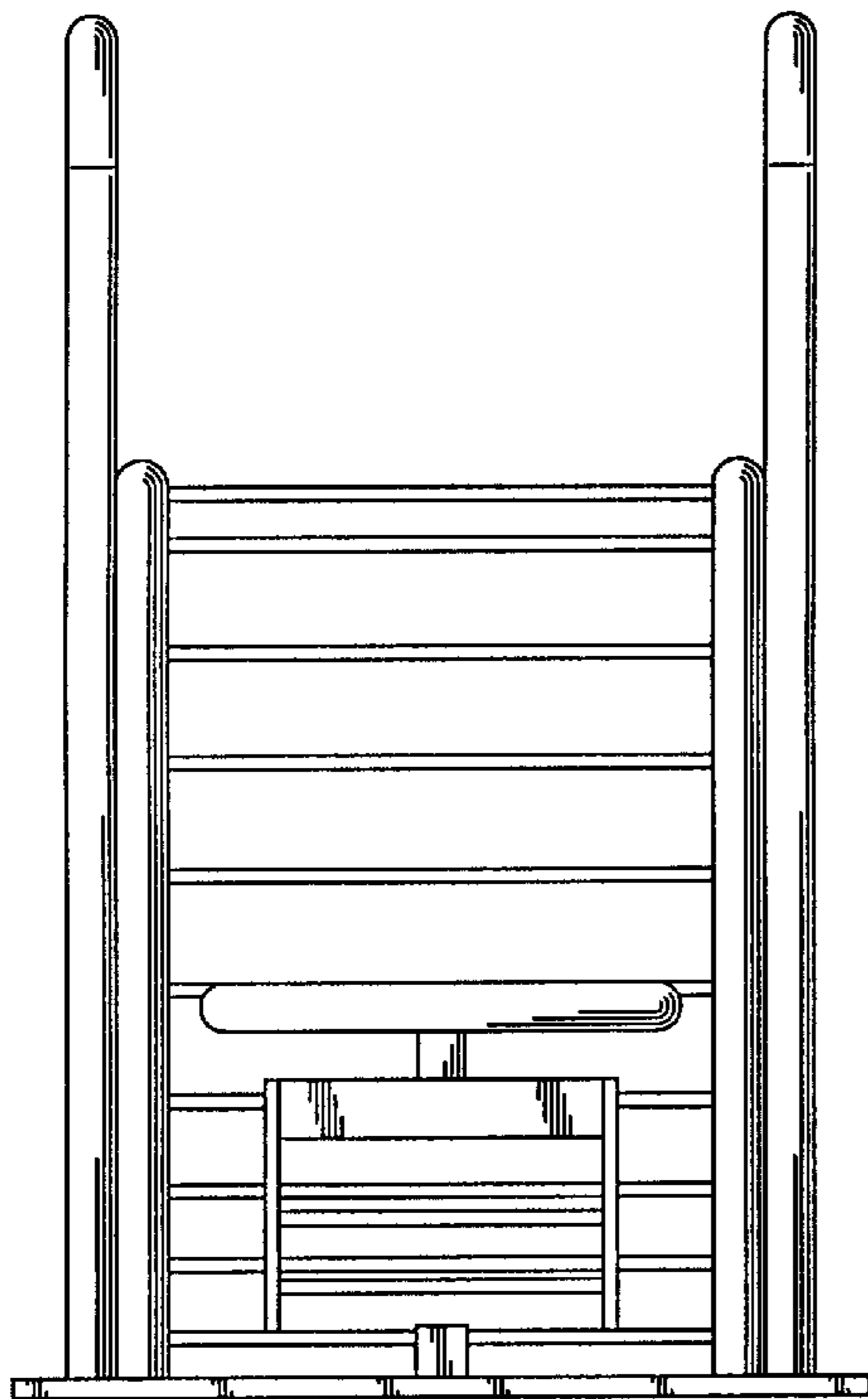


Fig. 2

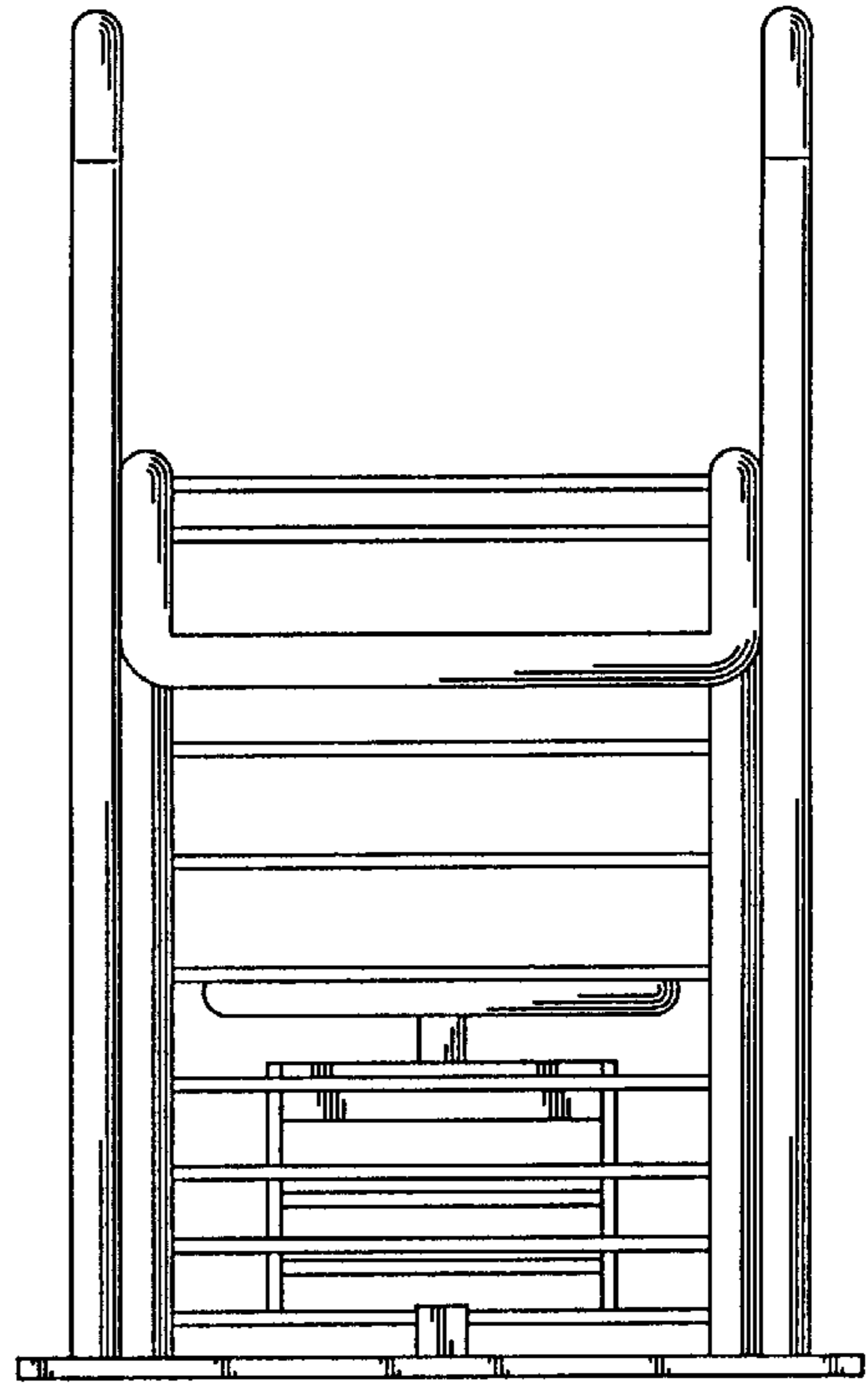


Fig. 3

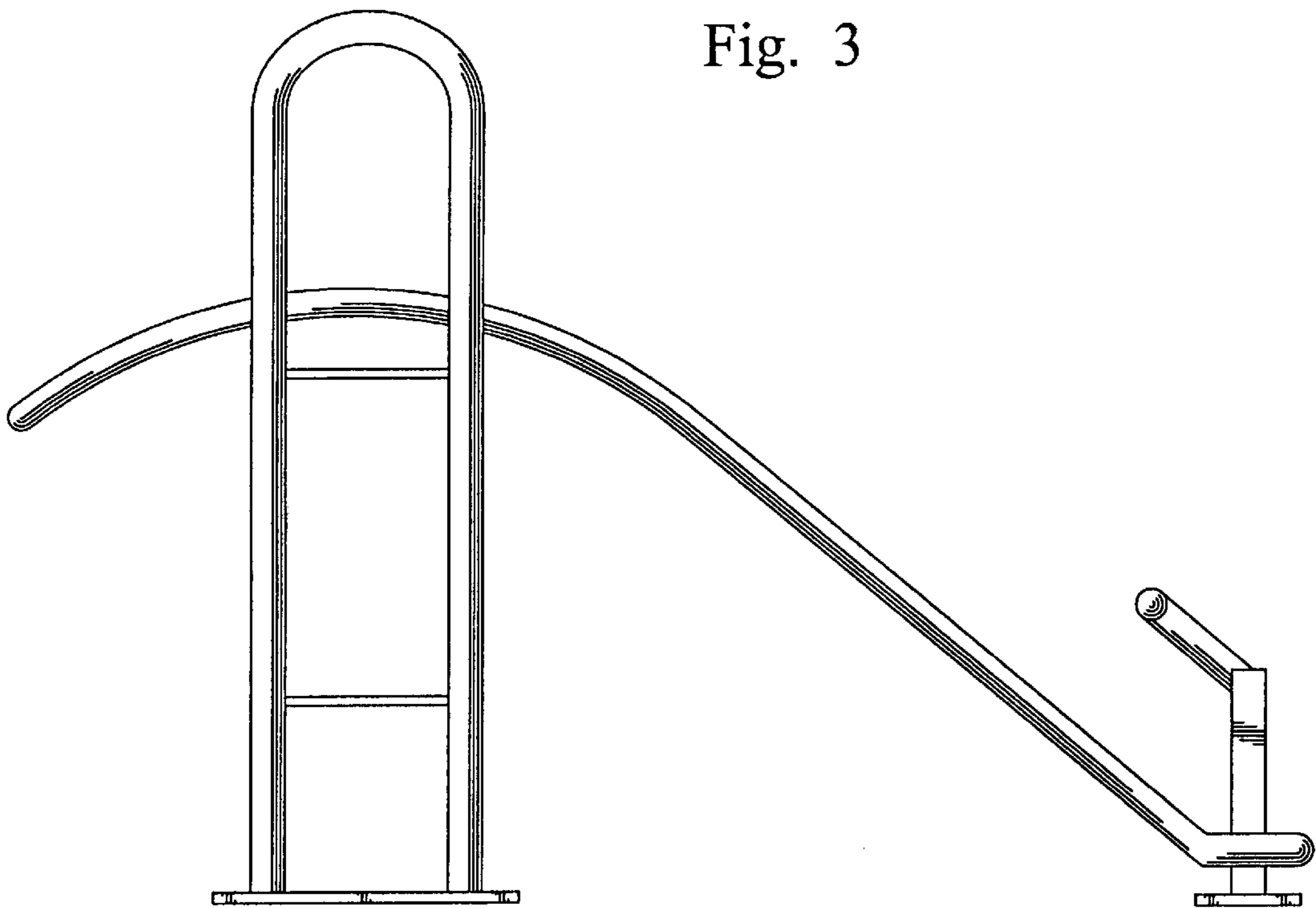


Fig. 4

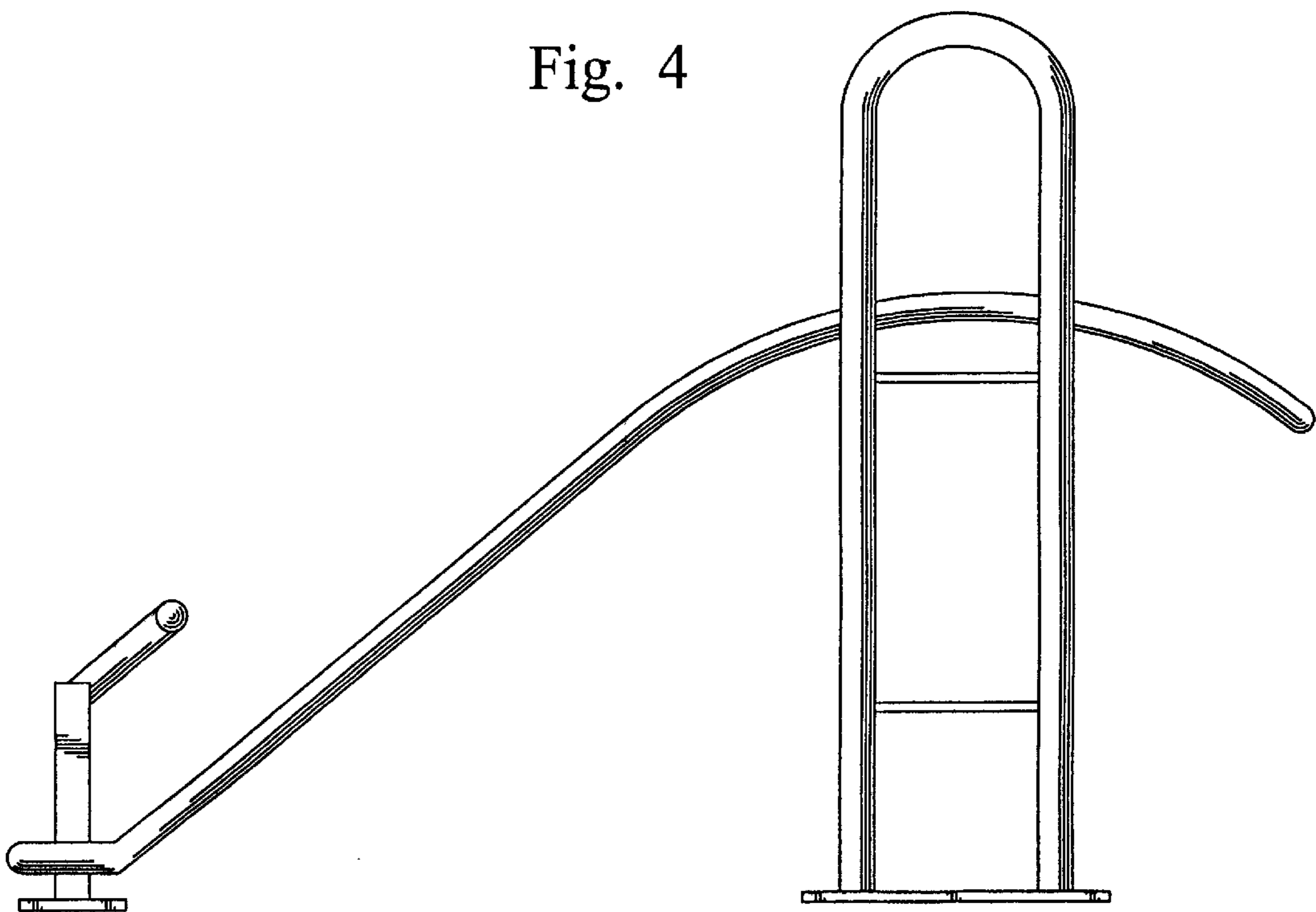


Fig. 5

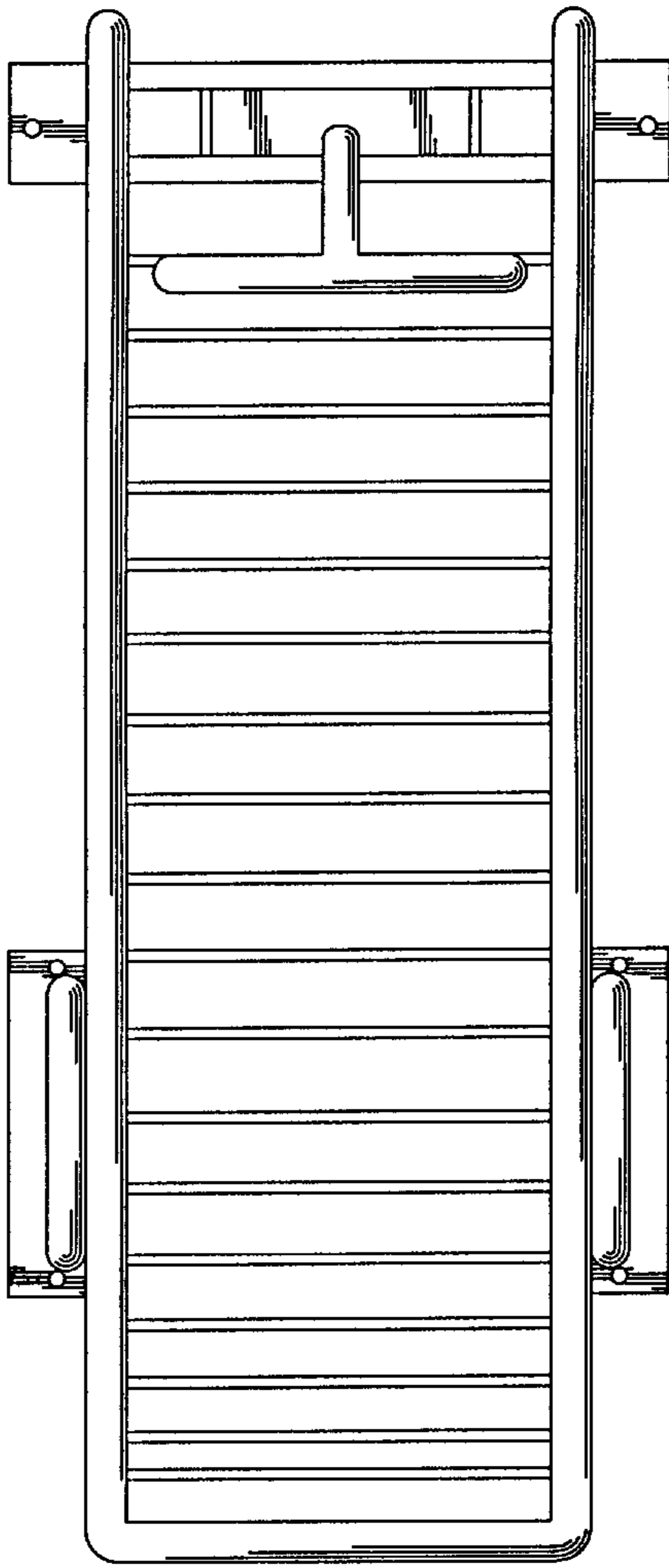


Fig. 6

