



US00D418881S

United States Patent [19] Cousins

[11] **Patent Number: Des. 418,881**
[45] **Date of Patent: ** Jan. 11, 2000**

[54] **SQUARE DUMBBELL**
[75] Inventor: **Michael Cousins**, New York, N.Y.
[73] Assignee: **E & B Giftware, Inc.**, Yonkers, N.Y.
[**] Term: **14 Years**
[21] Appl. No.: **29/100,043**
[22] Filed: **Feb. 2, 1999**
[51] **LOC (7) Cl.** **21-02**
[52] **U.S. Cl.** **D21/681**
[58] **Field of Search** D21/662, 680,
D21/681, 682, 683, 684; 482/106, 107,
108, 109, 50

814,570 3/1906 Stockdell 482/108
1,630,467 5/1927 Bradstreet 482/108
4,361,324 11/1982 Baroi 482/108
4,538,806 9/1985 Wilkerson 482/108

Primary Examiner—Philip S. Hyder
Attorney, Agent, or Firm—Stanley J. Yavner

[57] CLAIM

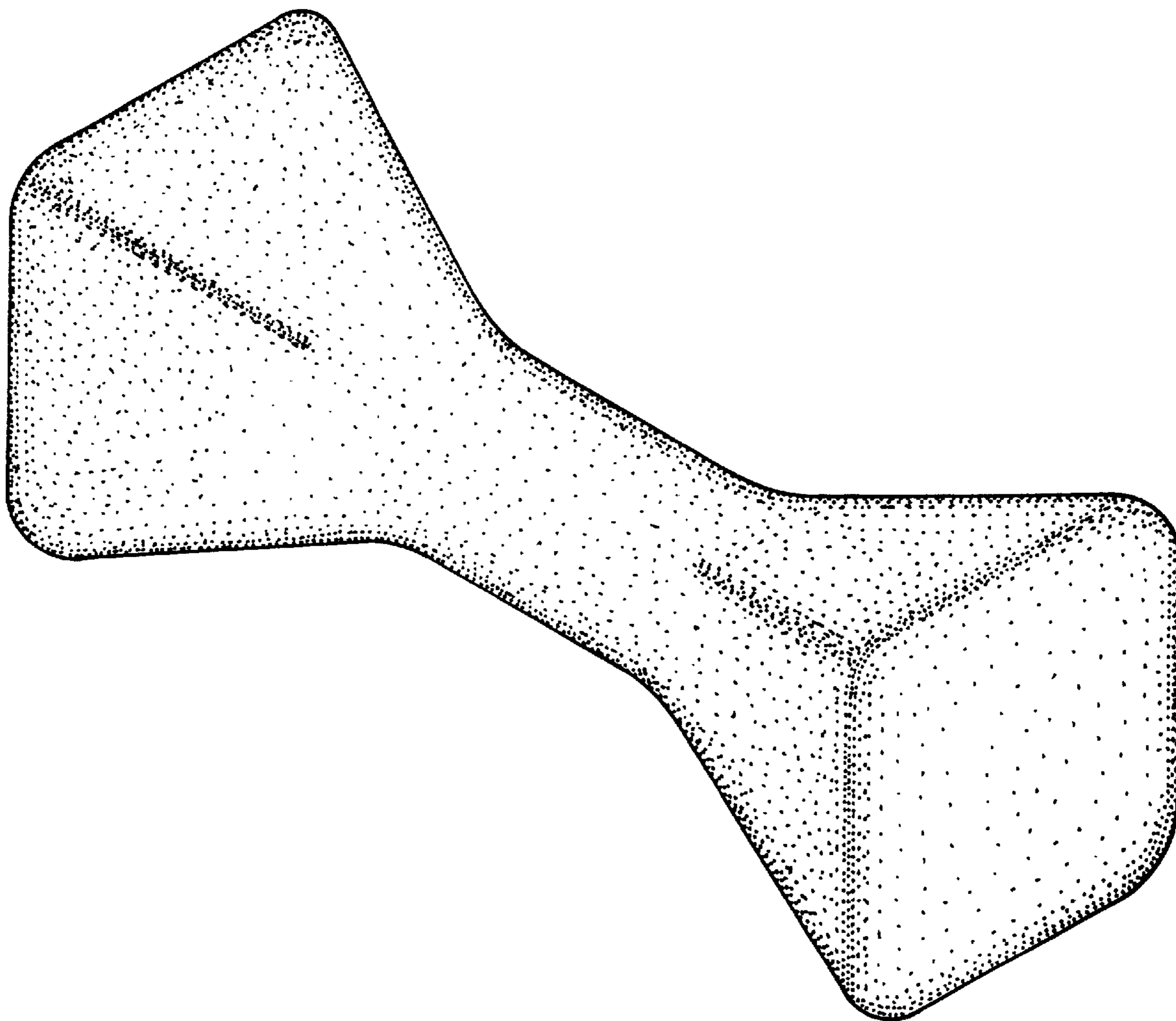
The ornamental design for a square dumbbell, as shown and described.

DESCRIPTION

FIG. 1 is a front, top and right side isometric view, of a square dumbbell, showing my new design, the stippling on the surfaces is to show the surface character of the item, and forms a part of the claimed design;
FIG. 2 is a left side elevational view thereof; and,
FIG. 3 is a rear elevational view thereof, the bottom view being identical to the top as shown in FIG. 1.

[56] **References Cited**
U.S. PATENT DOCUMENTS
D. 197,899 4/1964 Sutcliffe D21/681
D. 380,511 7/1997 Anthony, Jr. D21/681

1 Claim, 1 Drawing Sheet



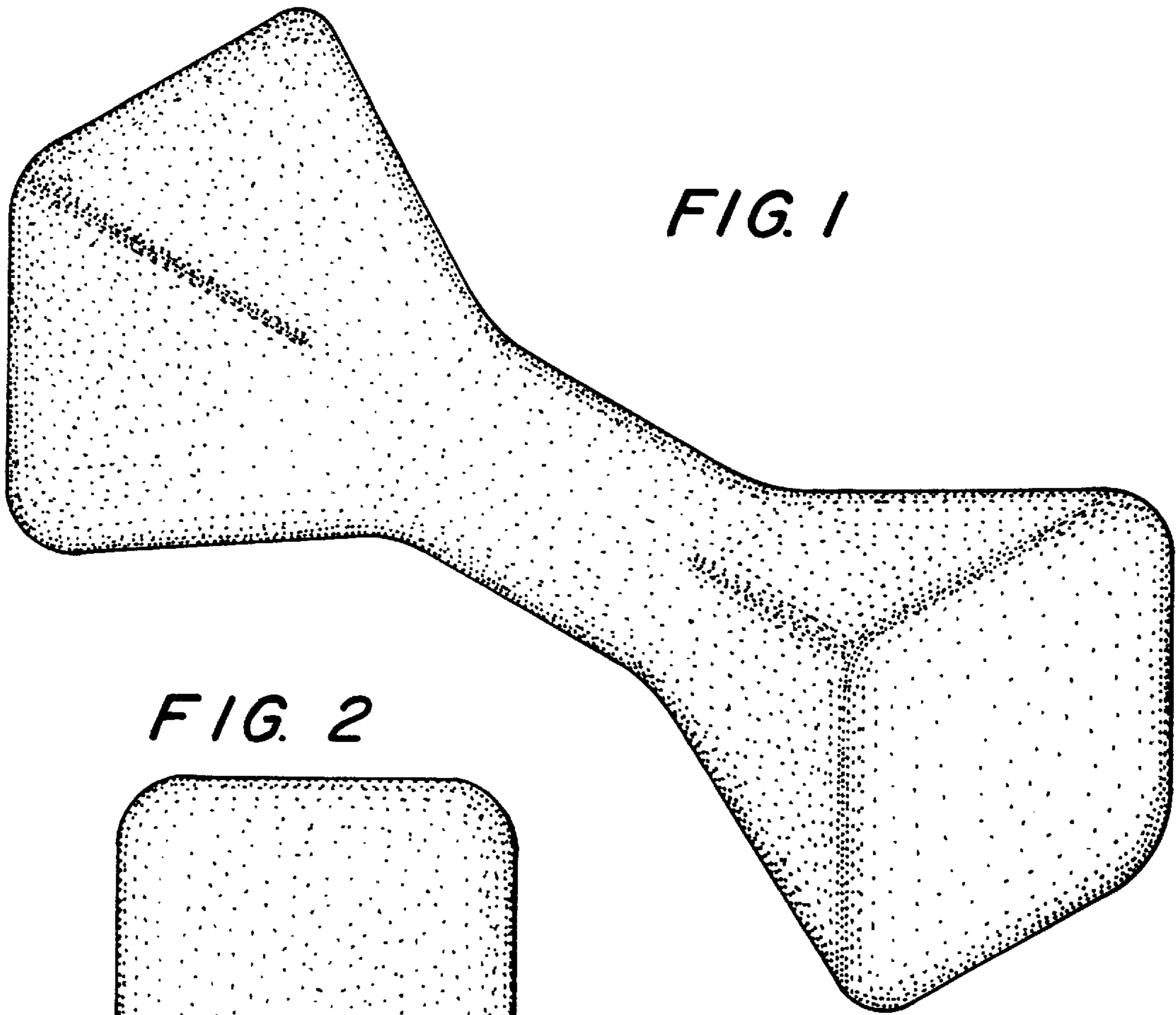


FIG. 1

FIG. 2

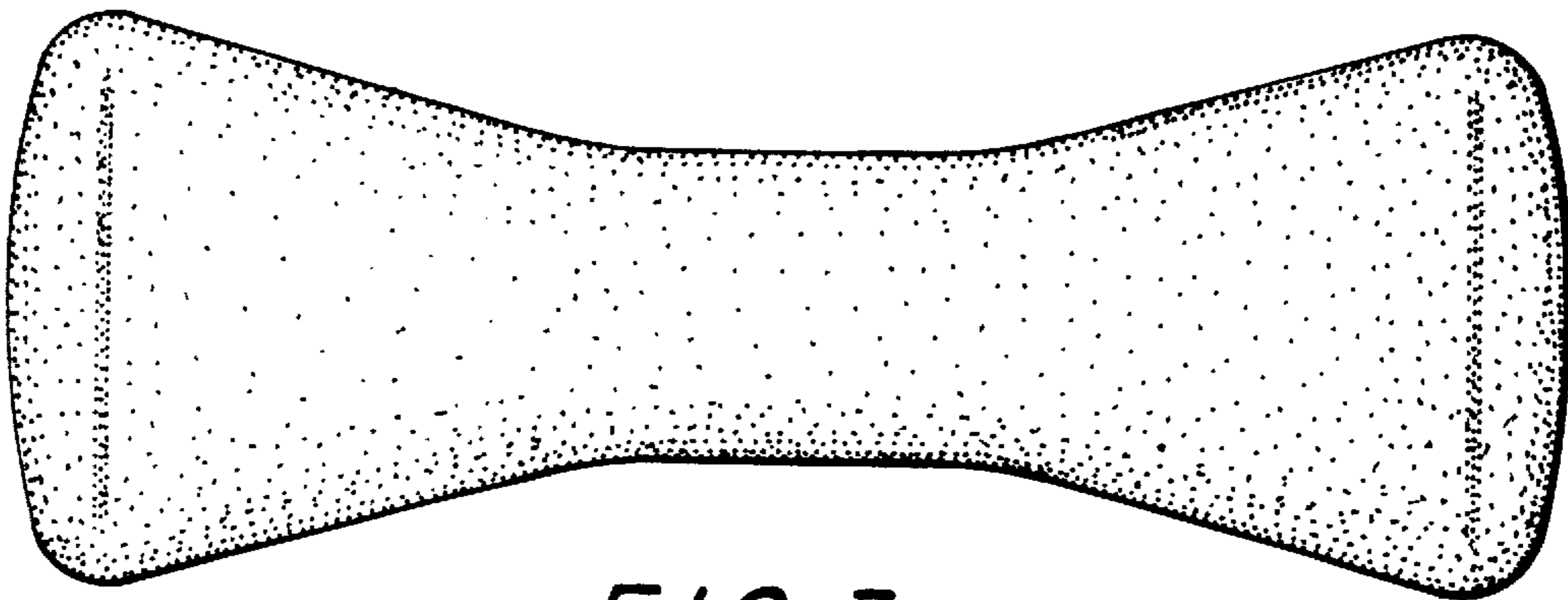
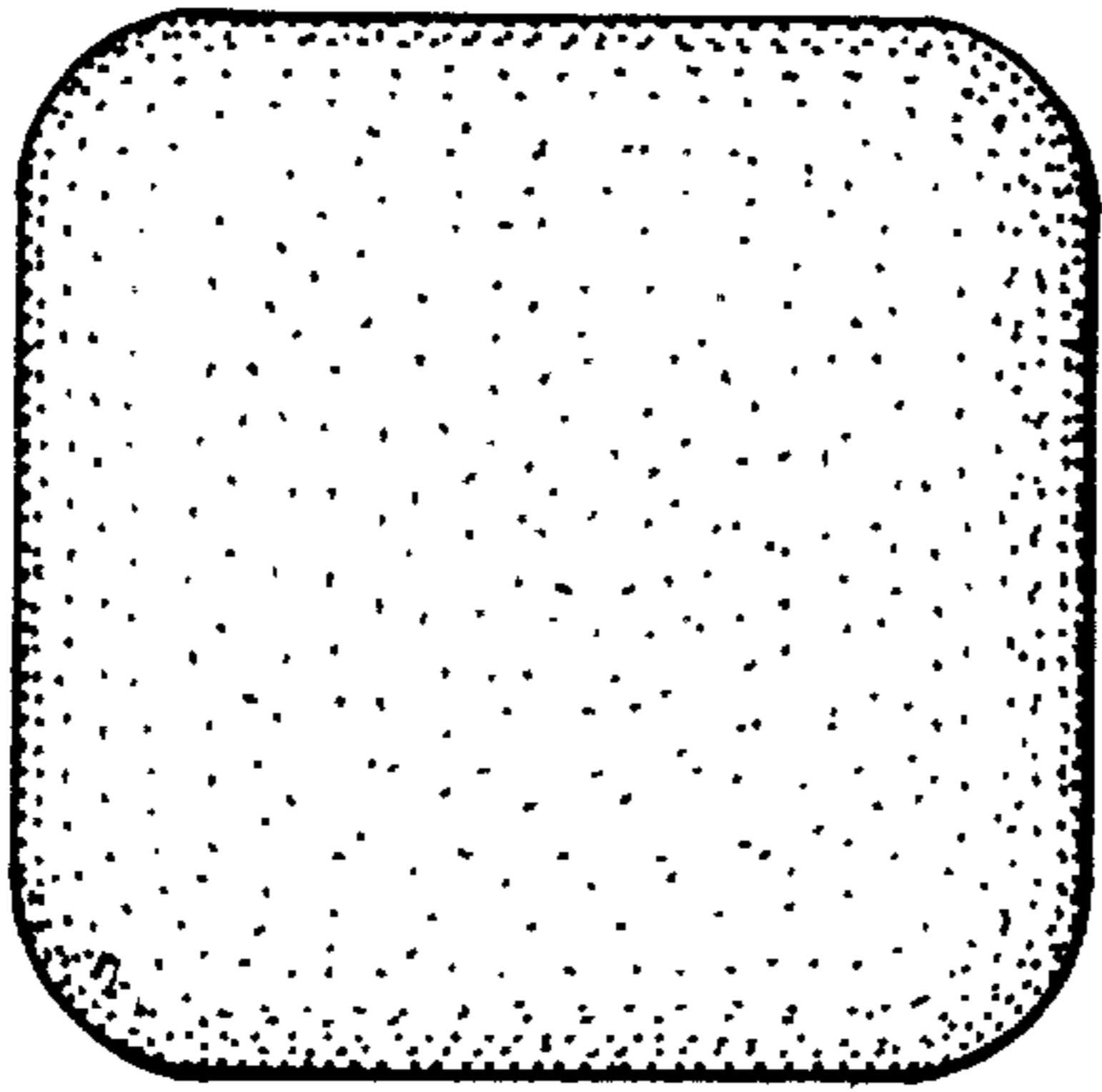


FIG. 3