



US00D418877S

# United States Patent [19]

[11] **Patent Number: Des. 418,877**

**Brotz**

[45] **Date of Patent: \*\* Jan. 11, 2000**

[54] **ILLUMINATED CLIPBOARD WITH STORAGE COMPARTMENT**

3,356,839	12/1967	Mehess et al. ....	362/97 X
4,896,927	1/1990	Liu et al. ....	312/190
5,046,760	9/1991	Krepp .....	281/45
5,174,607	12/1992	Hill .....	281/45
5,324,076	6/1994	Nieradka .....	281/45

[76] Inventor: **Gregory R. Brotz**, 218 Pioneer Rd., Sheboygan, Wis. 53081

[\*\*] Term: **14 Years**

*Primary Examiner*—Martie K. Holtje  
*Attorney, Agent, or Firm*—William Nitkin

[21] Appl. No.: **29/108,775**

[57] **CLAIM**

[22] Filed: **Aug. 4, 1999**

The ornamental design for an illuminated clipboard with storage compartment, as shown and described.

[51] **LOC (7) Cl.** ..... **19-02**

[52] **U.S. Cl.** ..... **D19/88; D19/65; D19/90**

[58] **Field of Search** ..... D19/20, 36, 52, D19/65, 75, 78, 86, 90, 91, 92, 99, 100; D26/58; 248/441.1, 442.2, 451, 452; 40/371, 904; 206/214, 224, 371; 312/190; 362/97-99; 281/42, 45

### DESCRIPTION

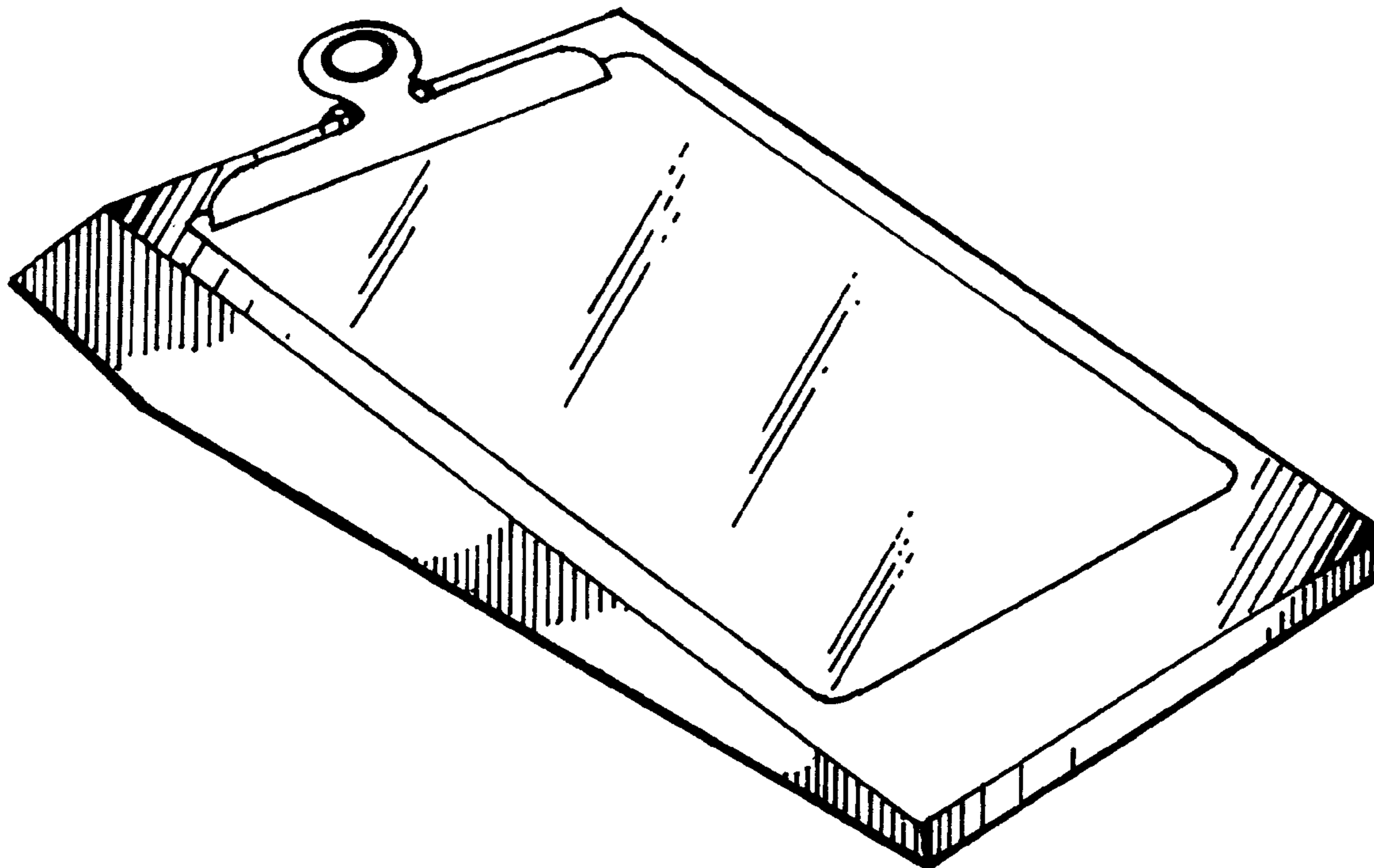
FIG. 1 is a top plan view of an illuminated clipboard with storage compartment showing my new design; FIG. 2 is a bottom plan view thereof; FIG. 3 is a bottom elevational view thereof; FIG. 4 is a top elevational view thereof; FIG. 5 is a left side elevational view thereof; FIG. 6 is a right side elevational view thereof; FIG. 7 is a front right side perspective view thereof; and, FIG. 8 is a front left side perspective view thereof.

### [56] **References Cited**

#### U.S. PATENT DOCUMENTS

D. 255,251	6/1980	Hansen et al. ....	D19/88
D. 310,576	9/1990	Narbut et al. ....	D26/58
D. 398,650	9/1998	Shamoon .....	D19/88

**1 Claim, 4 Drawing Sheets**



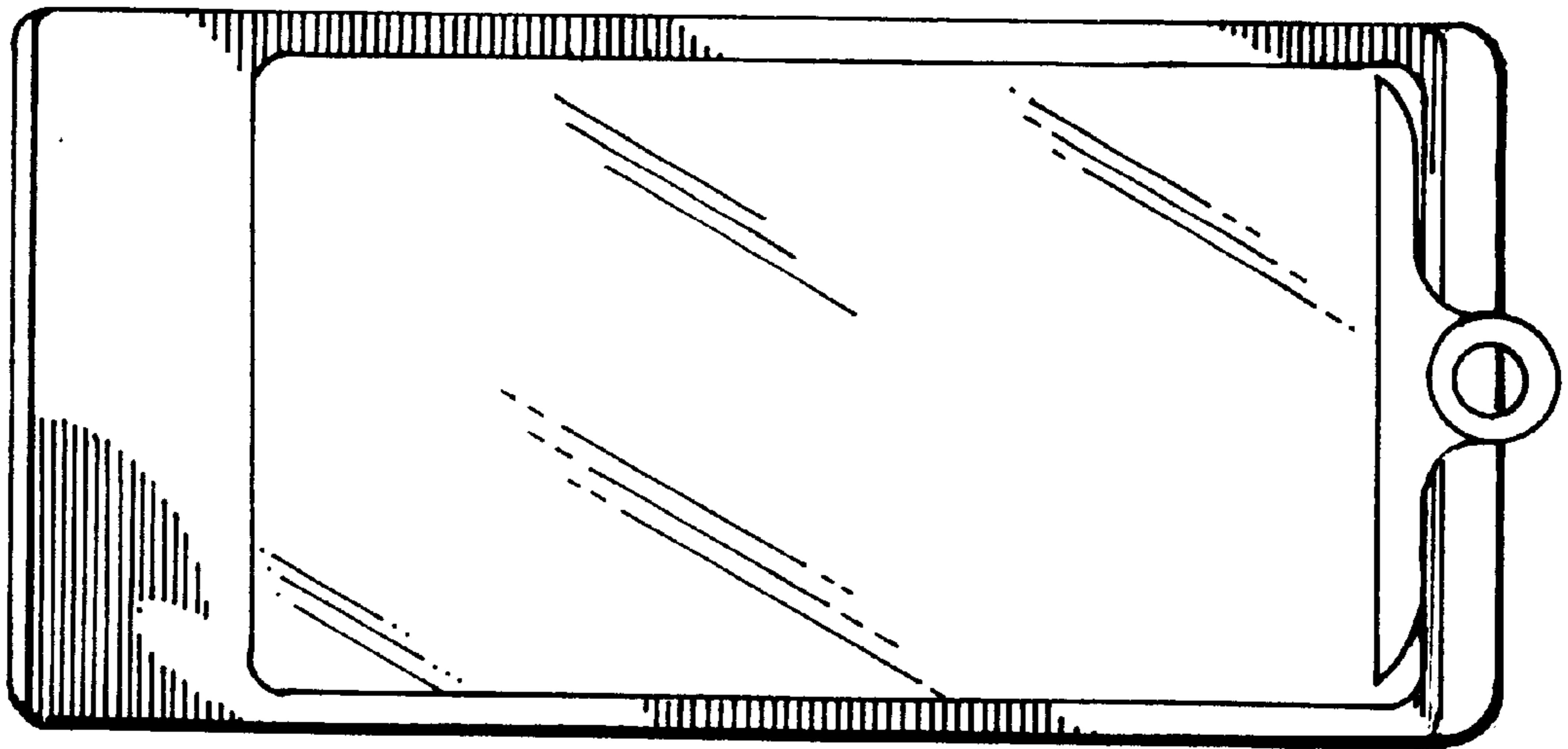


FIG. 1

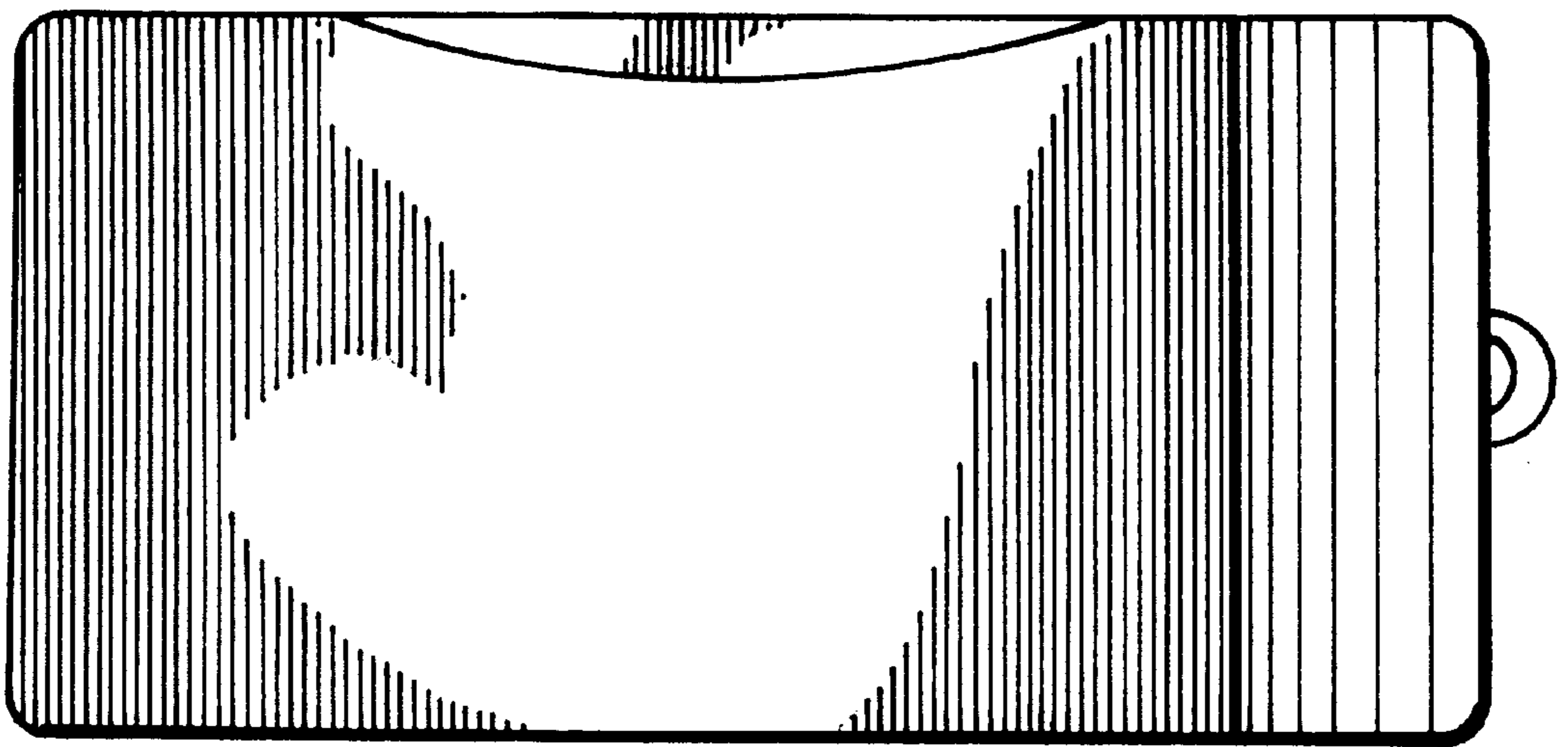


FIG. 2

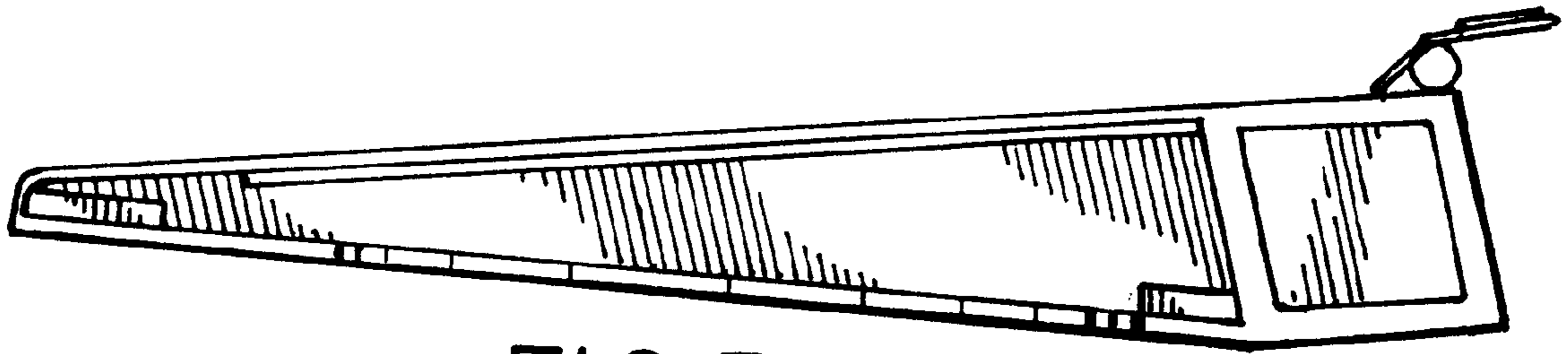


FIG. 3

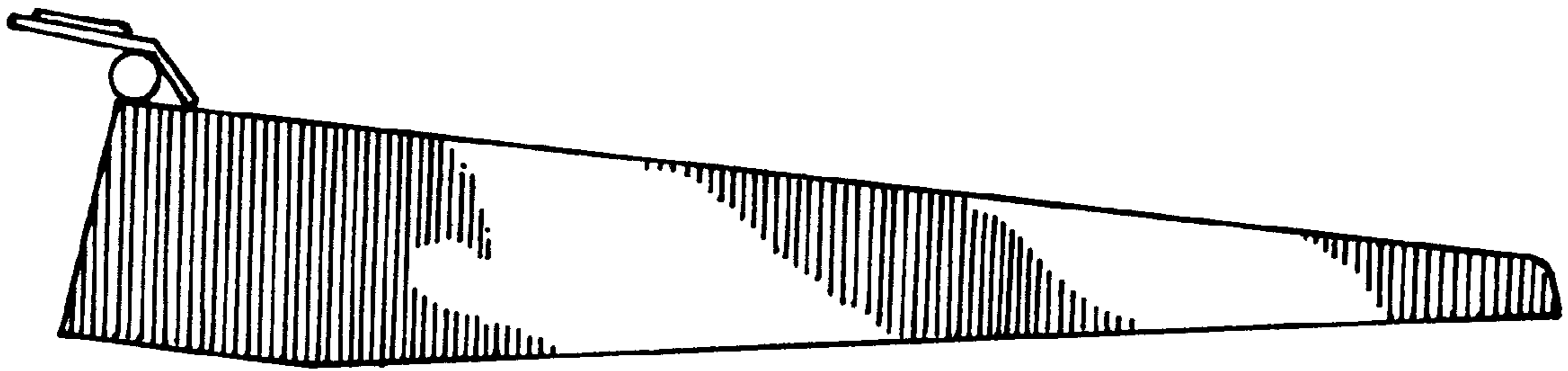


FIG. 4

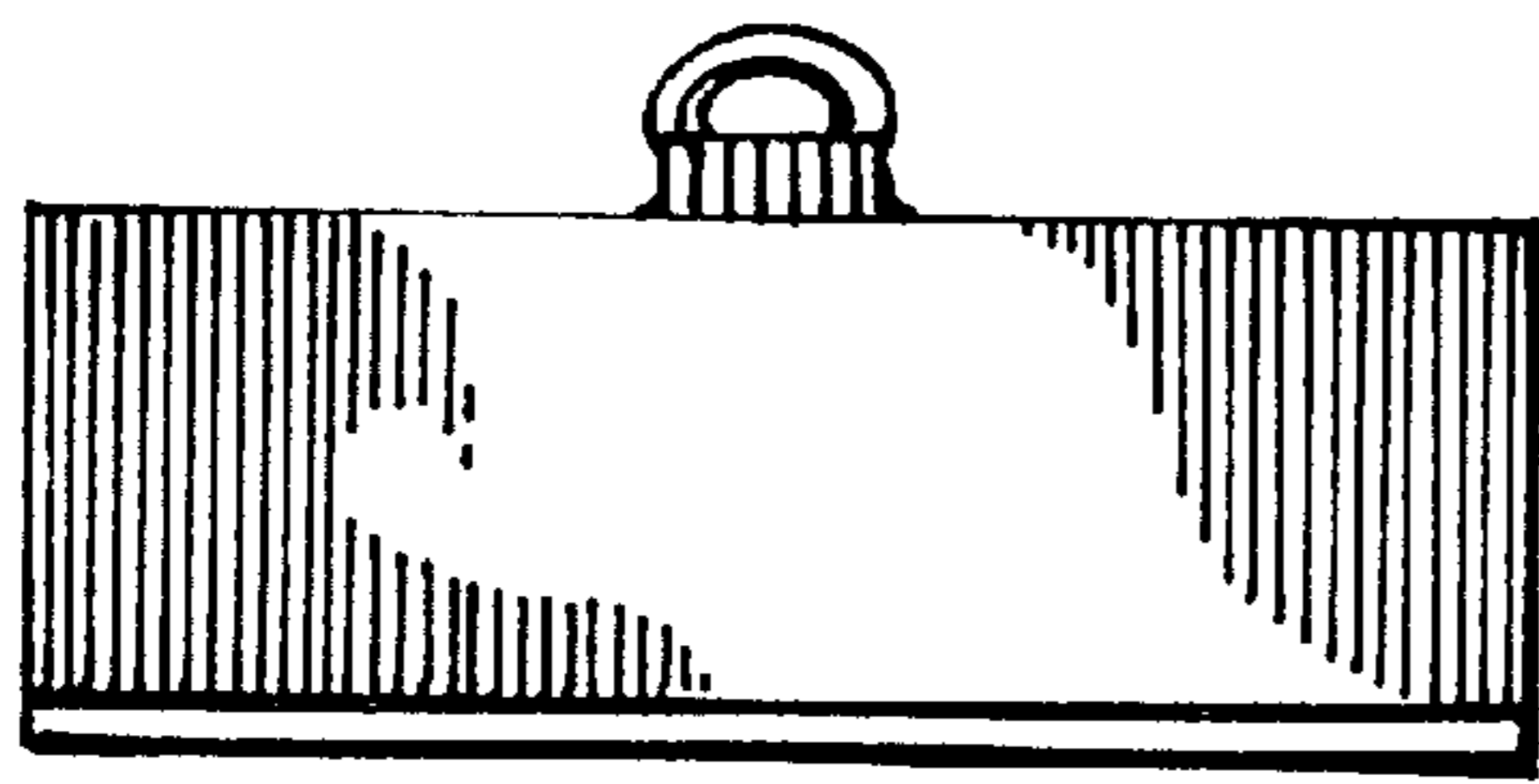


FIG. 6

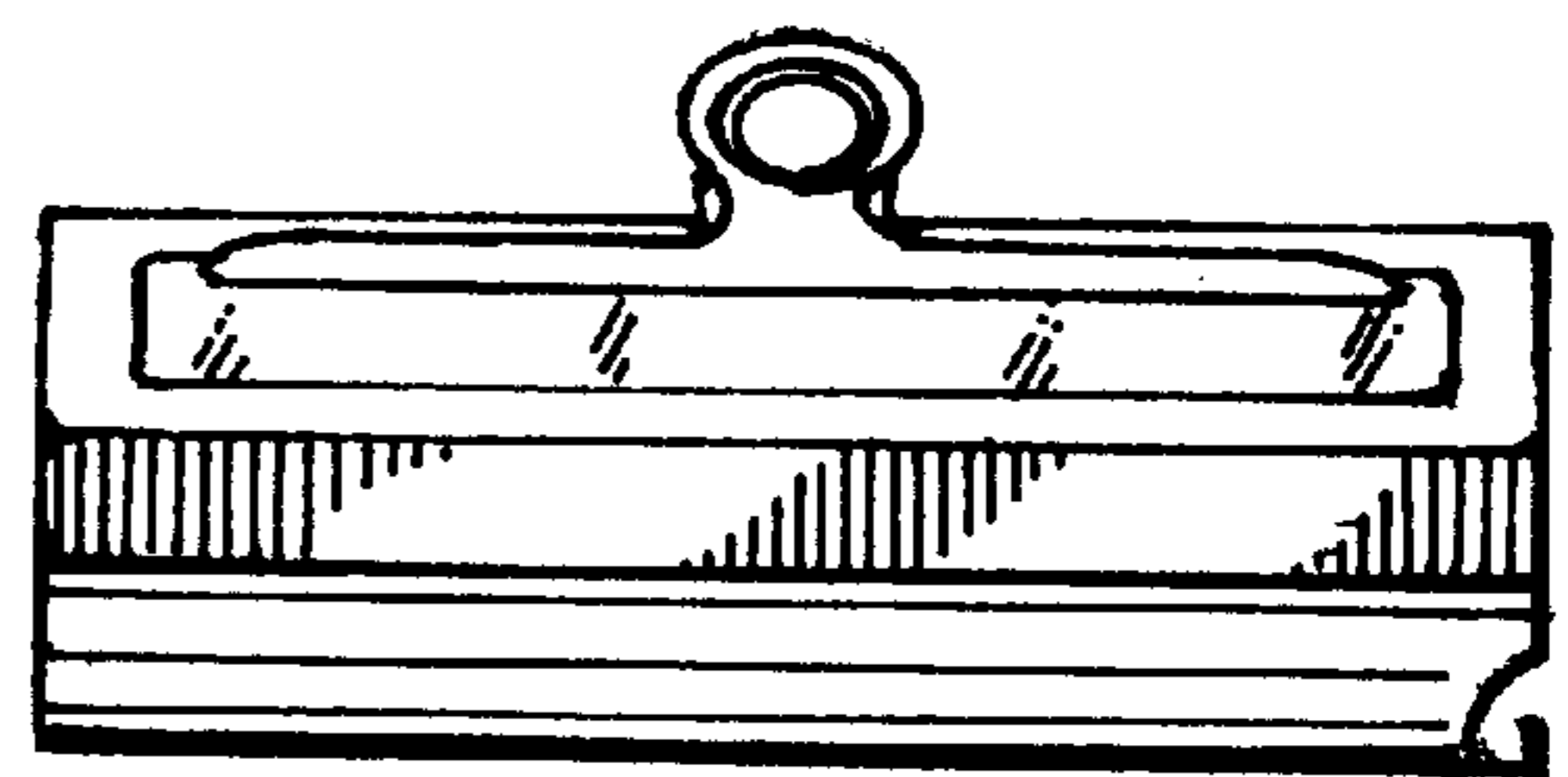


FIG. 5

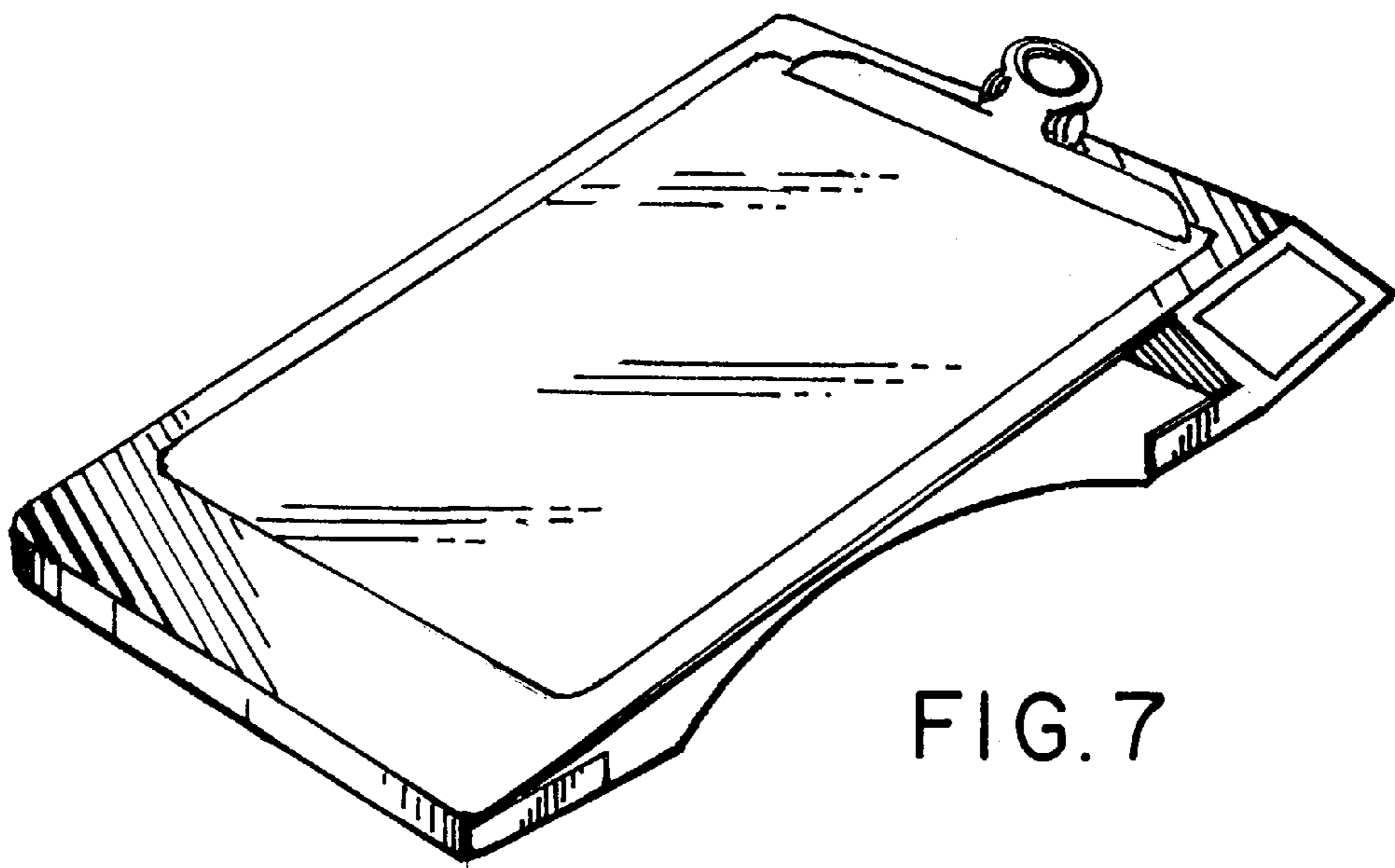


FIG. 7

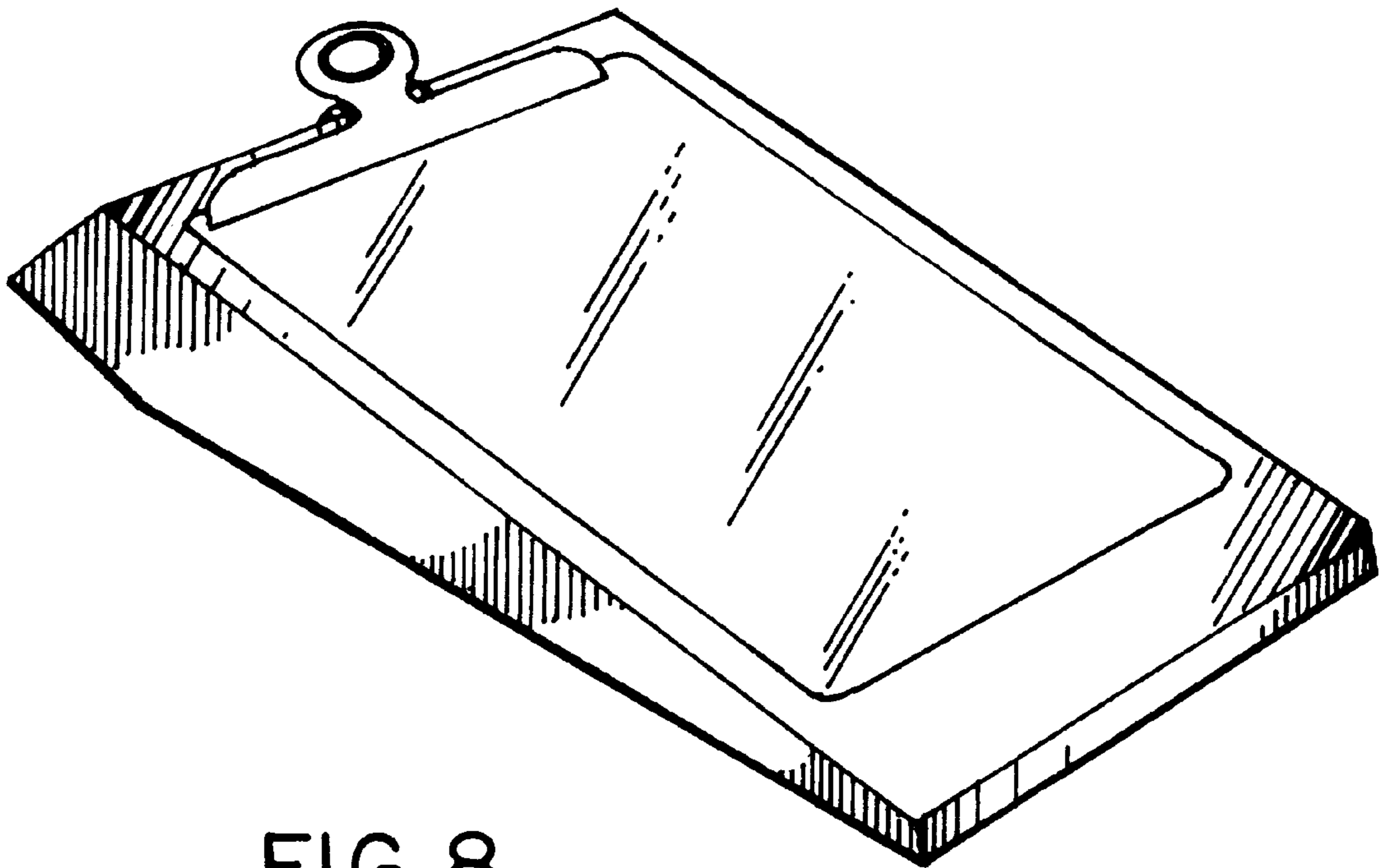


FIG. 8