



US00D418875S

United States Patent [19] Paik

[11] Patent Number: **Des. 418,875**

[45] Date of Patent: **** Jan. 11, 2000**

[54] **FOLDABLE HOLDER FOR HOLDING FLYERS, BROCHURES AND OTHER FLAT ARTICLES**

D. 356,339	3/1995	Geborek	D19/88
D. 407,119	3/1999	Kwan	D20/21
4,126,916	11/1978	Thomas	24/67.9
5,441,228	8/1995	Geborek	248/441.11
5,887,902	3/1999	Irwin	281/45

[75] Inventor: **Harry S. Paik**, Seattle, Wash.

[73] Assignee: **Infopak International, Inc.**, Seattle, Wash.

[**] Term: **14 Years**

Primary Examiner—Martie K. Holtje
Attorney, Agent, or Firm—Thomas R. Lampe

[21] Appl. No.: **29/102,781**

[57] **CLAIM**

The ornamental design for foldable holder for holding flyers, brochures and other flat articles, as shown and described.

[22] Filed: **Mar. 31, 1999**

DESCRIPTION

[51] **LOC (7) Cl.** **19-02**

[52] **U.S. Cl.** **D19/86; D19/90; D19/91**

[58] **Field of Search** **D6/300-314; D19/52, D19/65, 75, 78, 86, 88, 90, 91, 99, 100; 24/67.9; D20/21; 248/441.1, 451; 281/45; 40/700, 734, 771, 786**

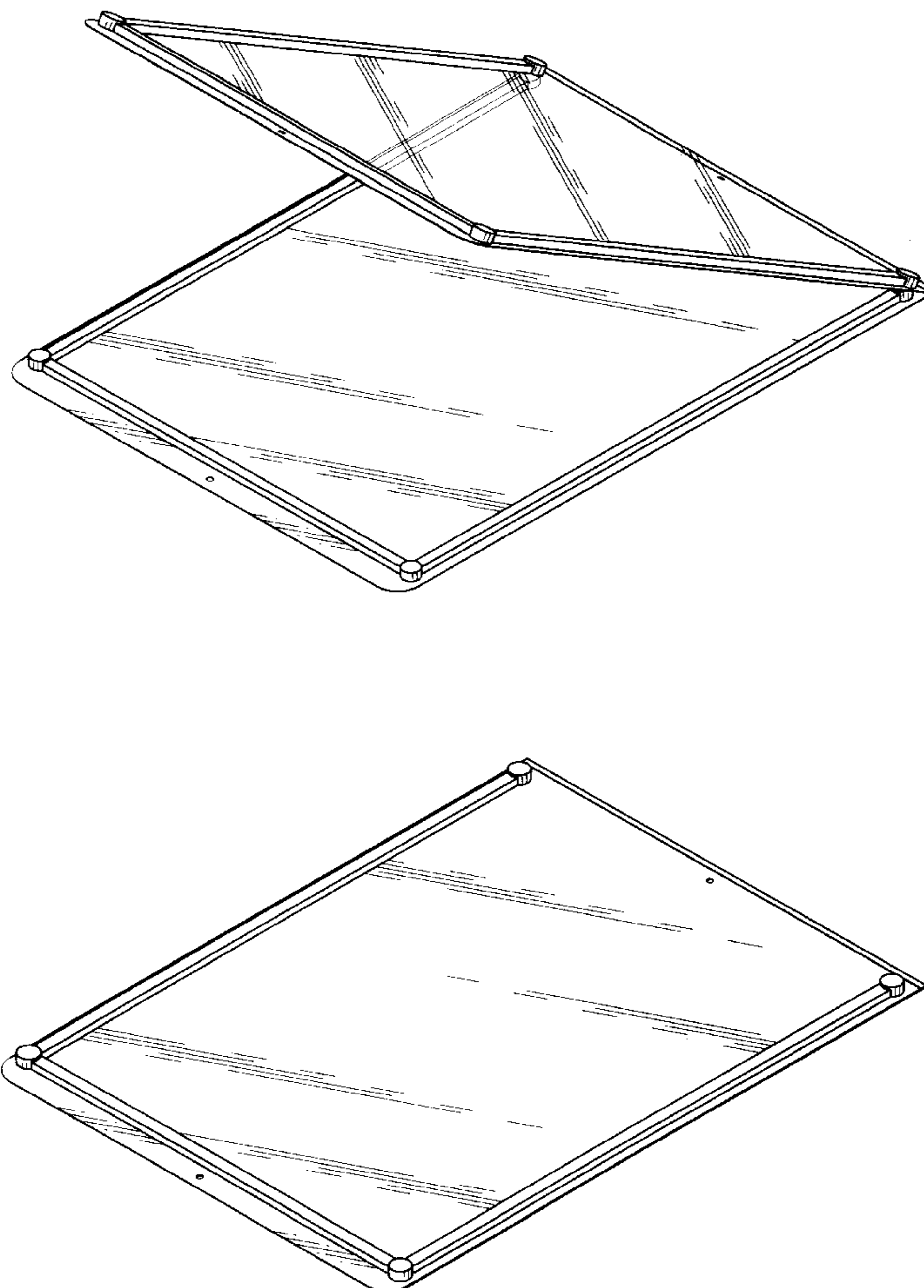
FIG. 1 is a perspective view of foldable holder for holding flyers, brochures and other flat articles showing my design; FIG. 2 is a left side elevation view thereof, the right side elevation view thereof being a mirror image; FIG. 3 is a top plan view thereof; FIG. 4 is a bottom plan view thereof; FIG. 5 is a front elevation view thereof; FIG. 6 is a rear elevation view thereof; FIG. 7 is a perspective view thereof in partially folded, partially open condition; and, FIG. 8 is a perspective view thereof in completely folded, fully closed condition.

[56] **References Cited**

U.S. PATENT DOCUMENTS

D. 241,786	10/1976	Berson	D19/86
D. 292,851	11/1987	Krone	D6/300
D. 316,275	4/1991	Davis et al.	D19/91
D. 326,280	5/1992	Arnt-Jensen	D19/88

1 Claim, 4 Drawing Sheets



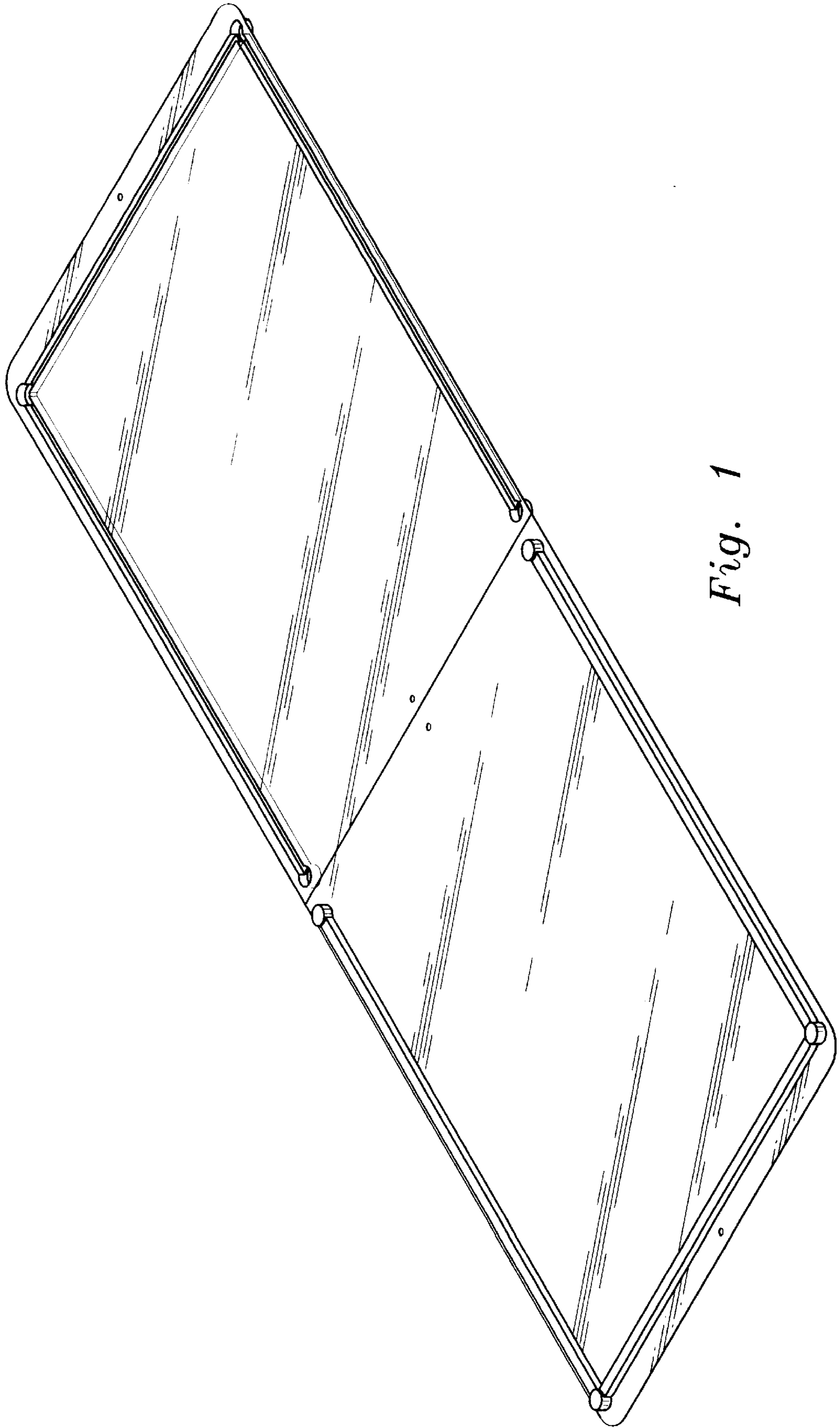


Fig. 1



Fig. 2

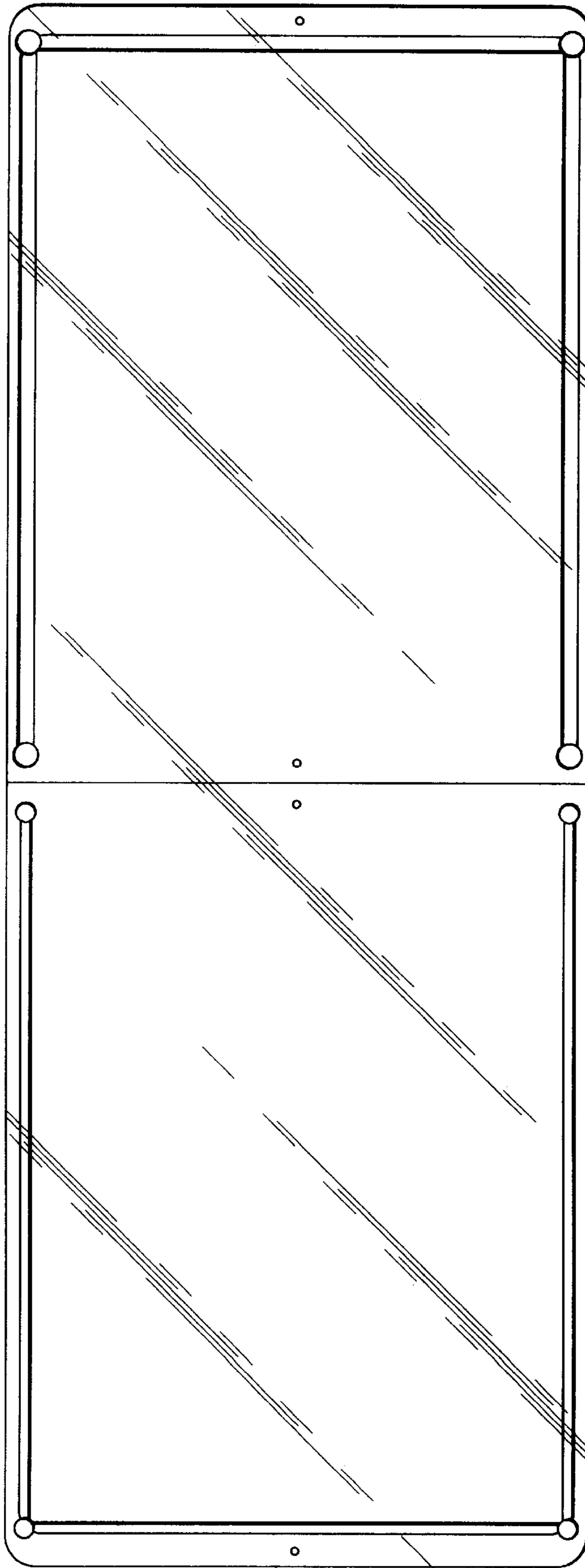


Fig. 3

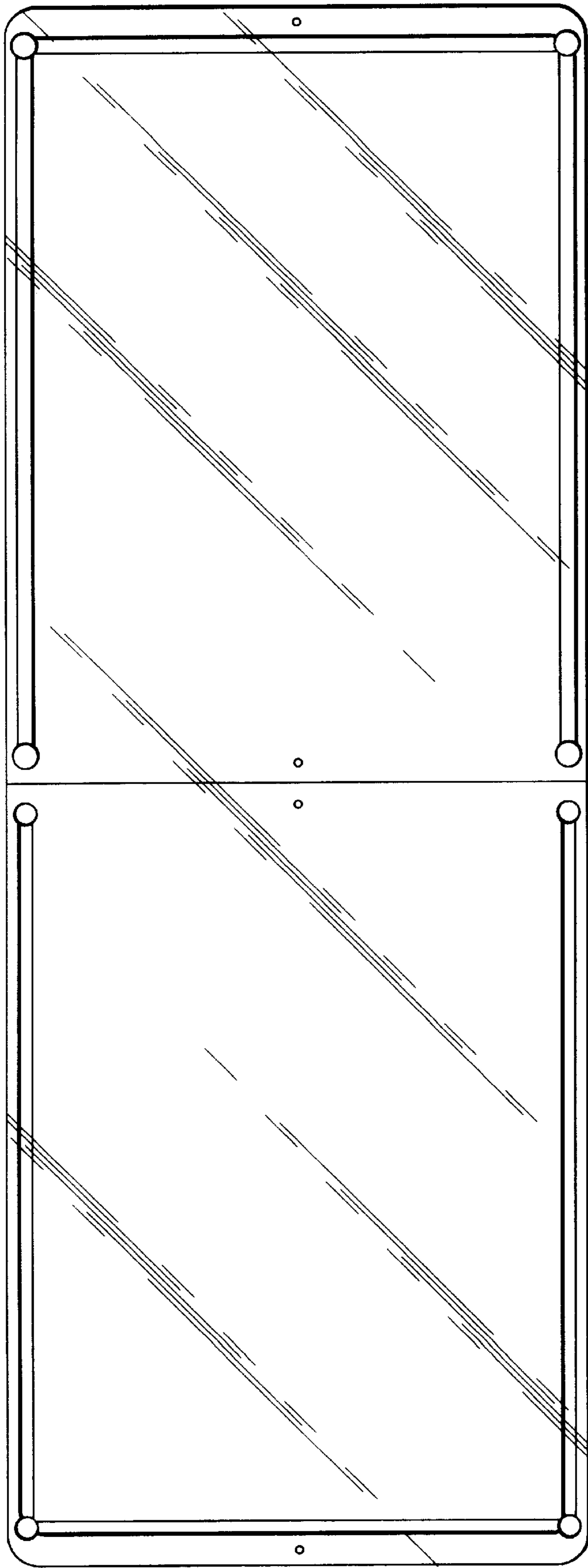


Fig. 4



Fig. 5



Fig. 6

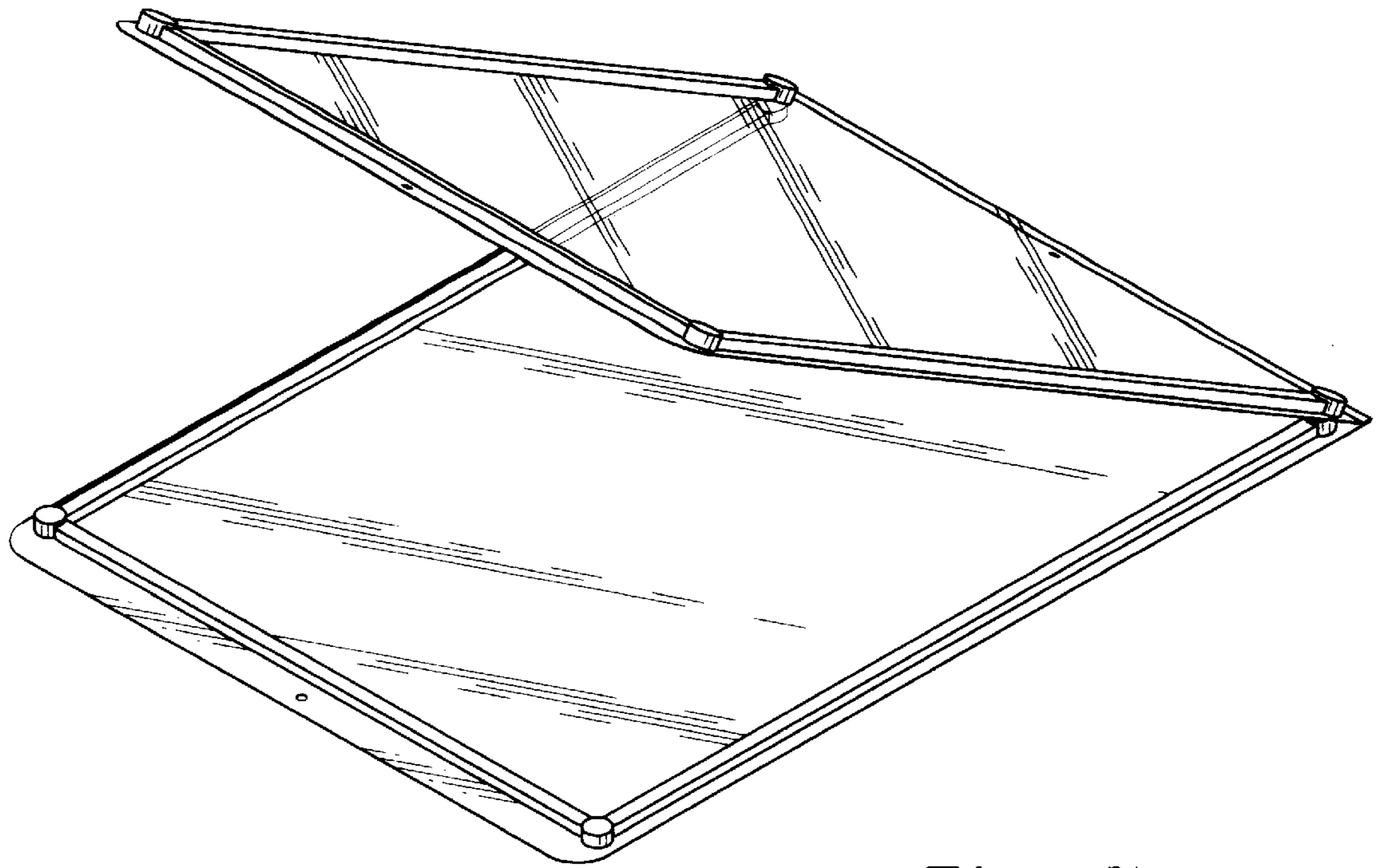


Fig. 7

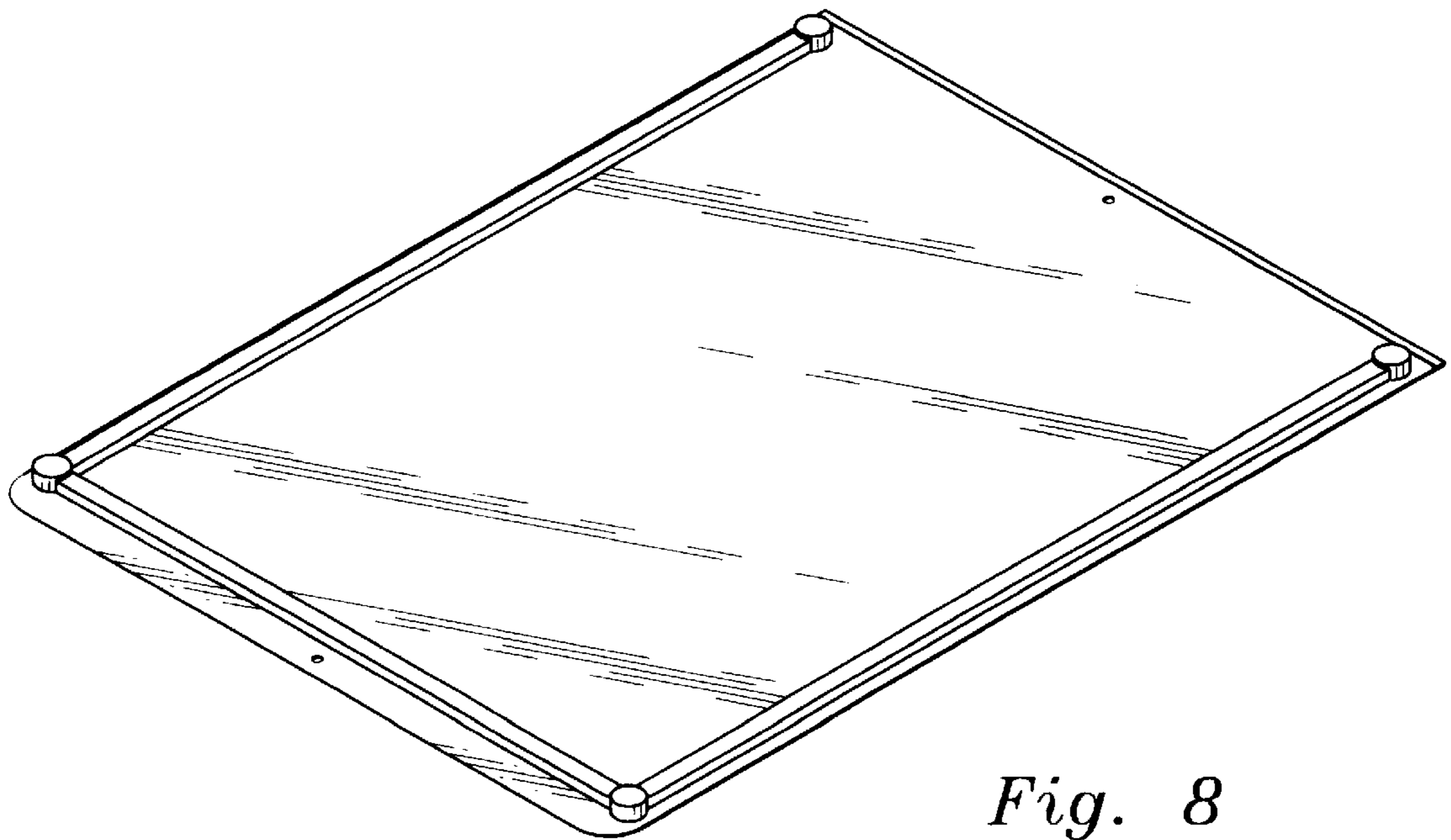


Fig. 8