



US00D418864S

United States Patent [19] Igarashi

[11] **Patent Number: Des. 418,864**

[45] **Date of Patent: ** Jan. 11, 2000**

[54] **PAPER FEEDING DEVICE FOR COMPUTER PRINTER**

D. 409,234 5/1999 Inoue et al. D18/54

[75] Inventor: **Masaaki Igarashi**, Tokyo, Japan

Primary Examiner—Caron D. Veynar
Attorney, Agent, or Firm—Fitzpatrick, Cella, Harper & Scinto

[73] Assignee: **Canon Kabushiki Kaisha**, Tokyo, Japan

[**] Term: **14 Years**

[57] **CLAIM**

[21] Appl. No.: **29/092,976**

The ornamental design for a paper feeding device for computer printer, as shown and described.

[22] Filed: **Aug. 28, 1998**

DESCRIPTION

[30] **Foreign Application Priority Data**

Mar. 4, 1998 [JP] Japan 10-6023

FIG. 1 is a front view of a paper feeding device for computer printer showing my new design;

[51] **LOC (7) Cl.** **16-03**

FIG. 2 is a rear view thereof;

[52] **U.S. Cl.** **D18/49**

FIG. 3 is a top plan view thereof;

[58] **Field of Search** D18/36-39, 46-49, D18/55, 56; 271/3.08, 3.14, 292, 9, 162; D14/107; 399/16, 17, 361, 363-365

FIG. 4 is a bottom plan view thereof;

FIG. 5 is a left side view thereof;

FIG. 6 is a right side view thereof; and,

FIG. 7 is a perspective view thereof.

[56] **References Cited**

U.S. PATENT DOCUMENTS

D. 361,554 8/1995 Mochizuki et al. D18/46 X

1 Claim, 5 Drawing Sheets

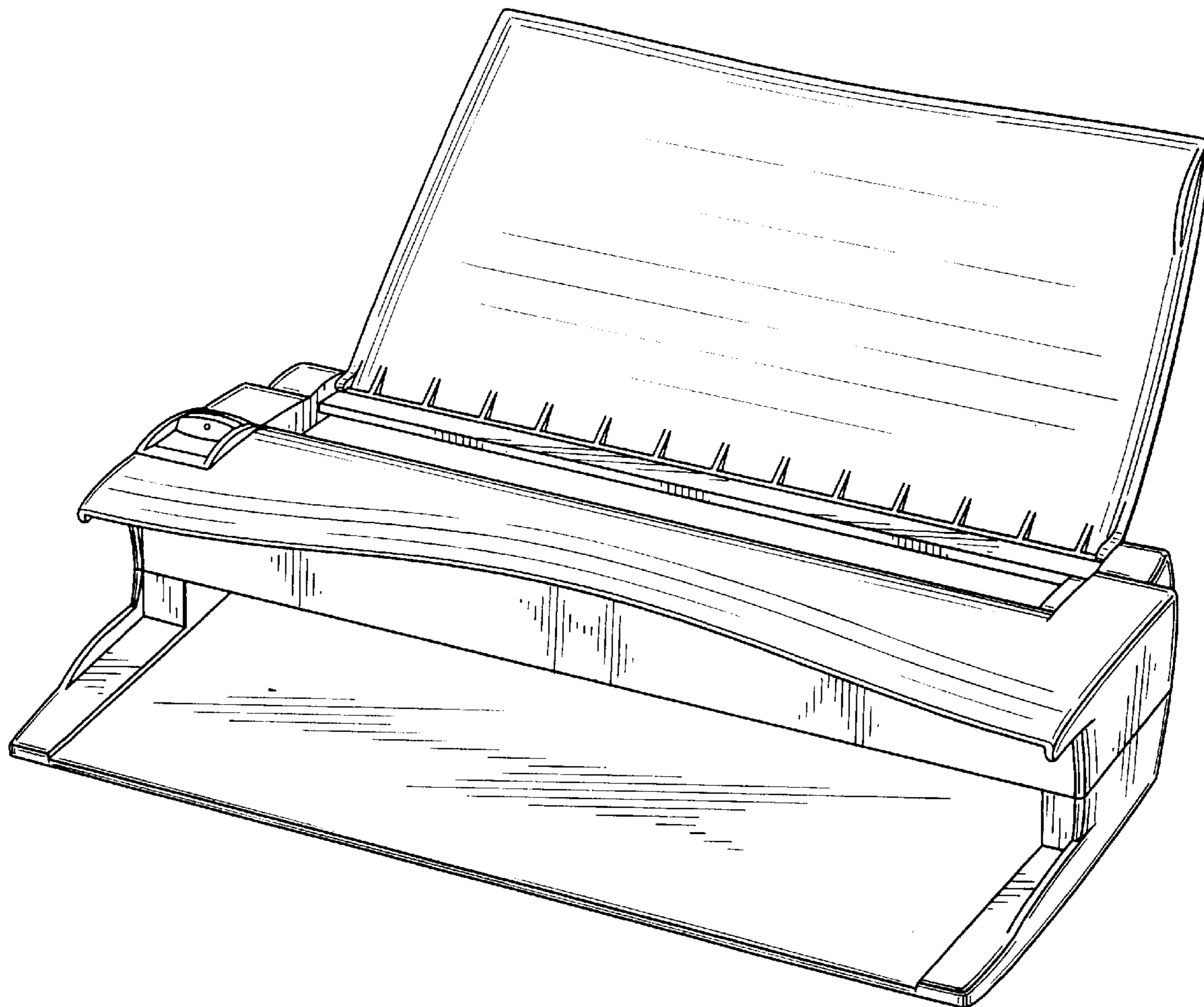


FIG. 1

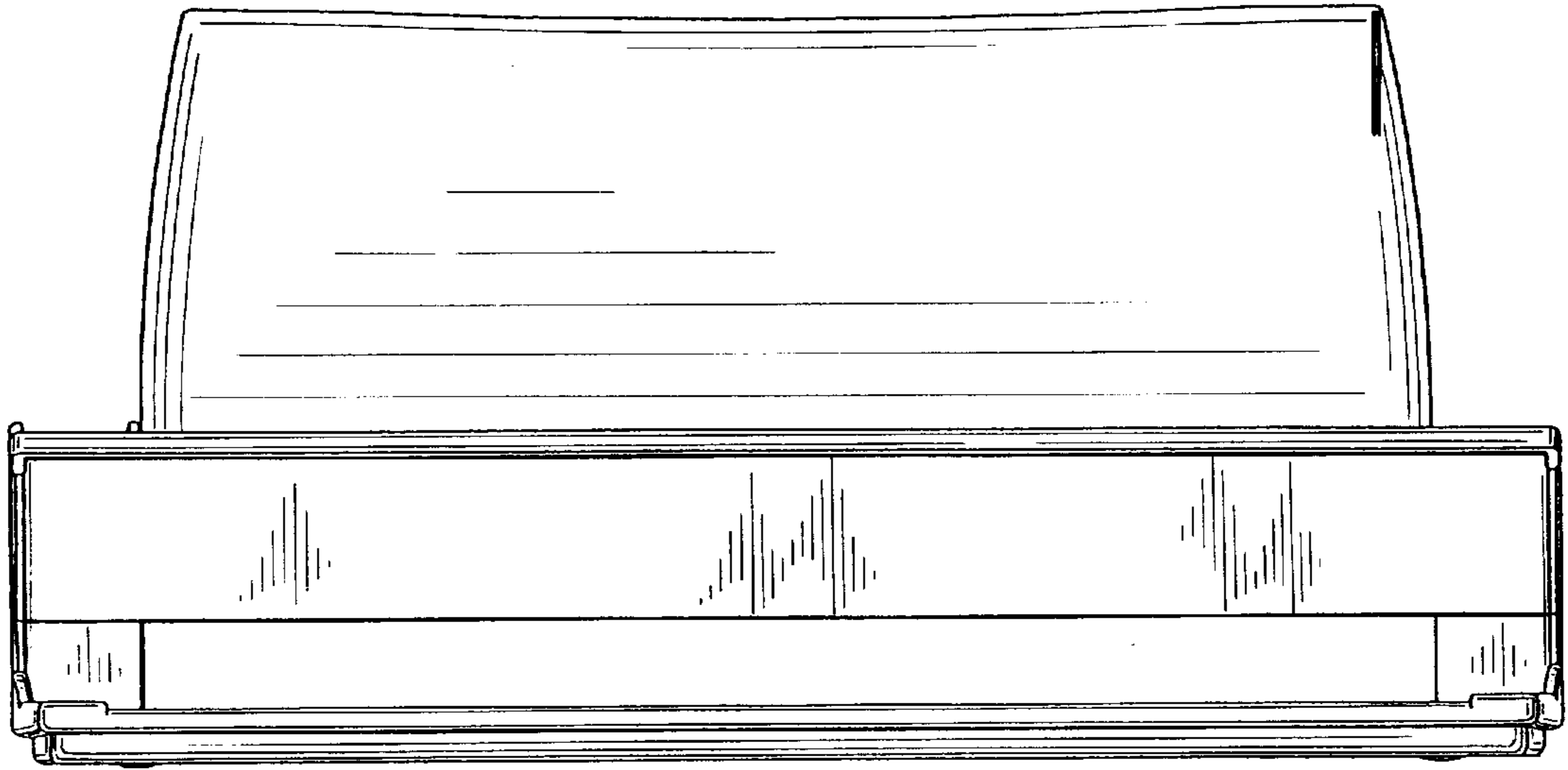


FIG. 2

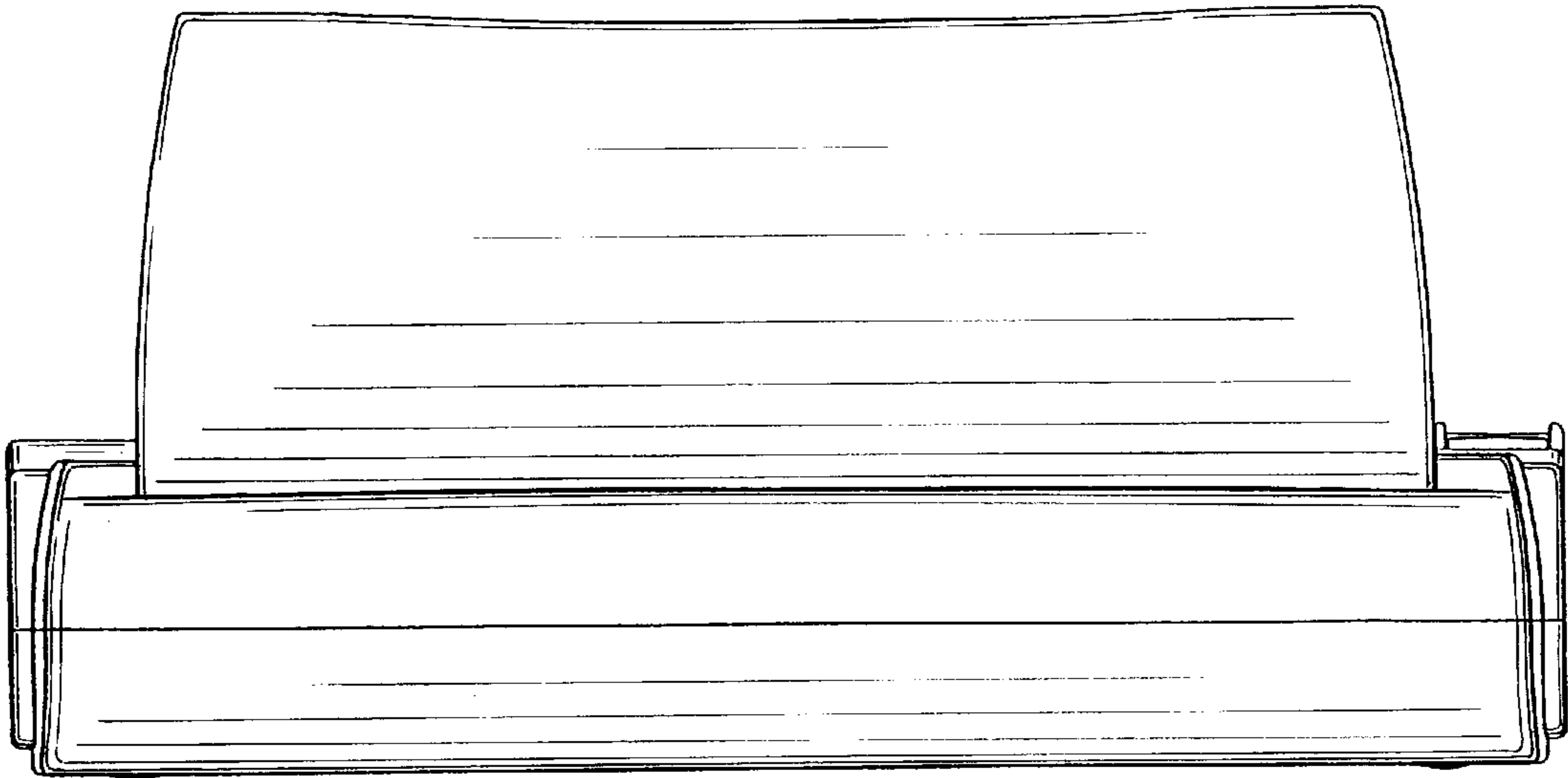


FIG. 3

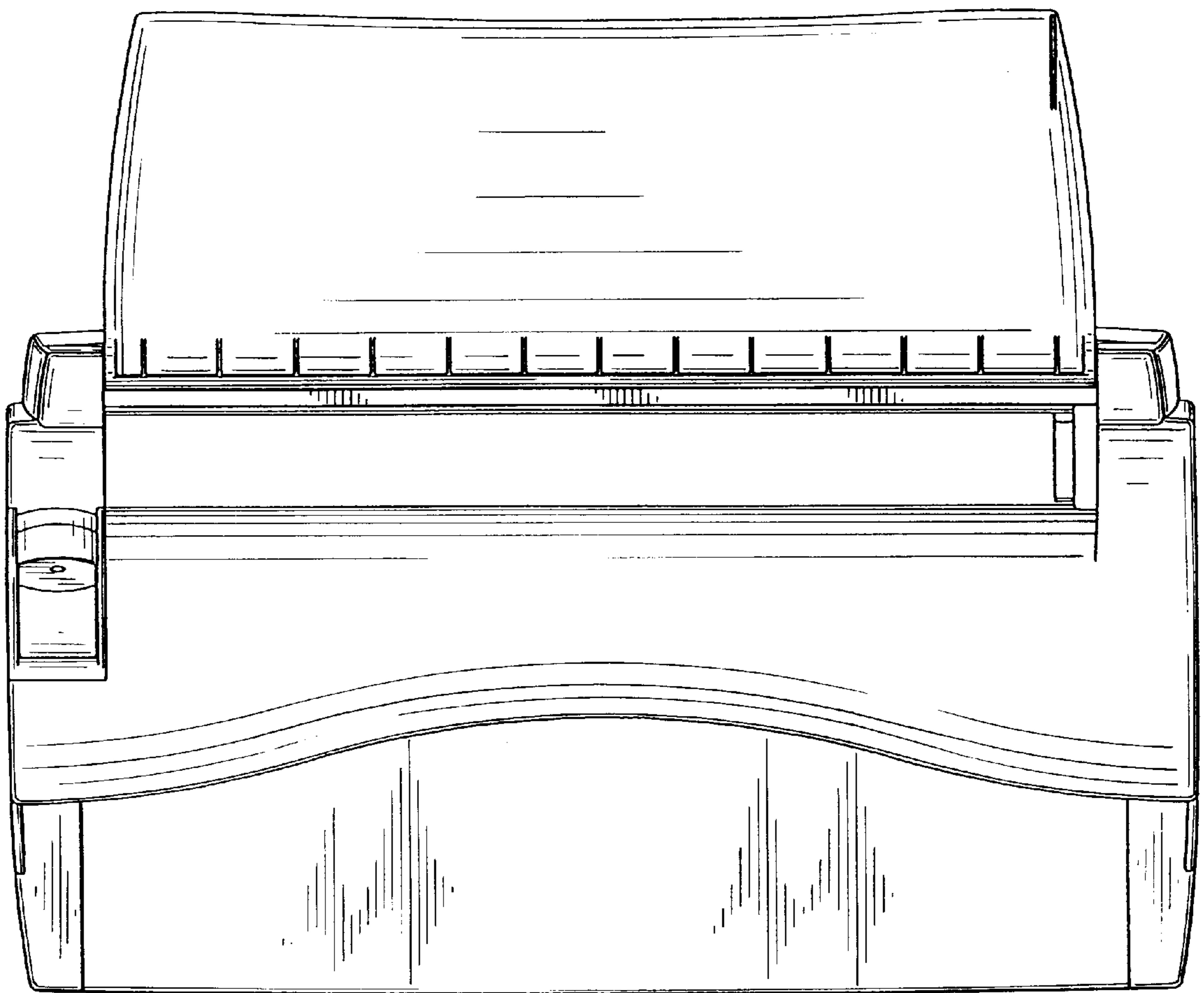


FIG. 4

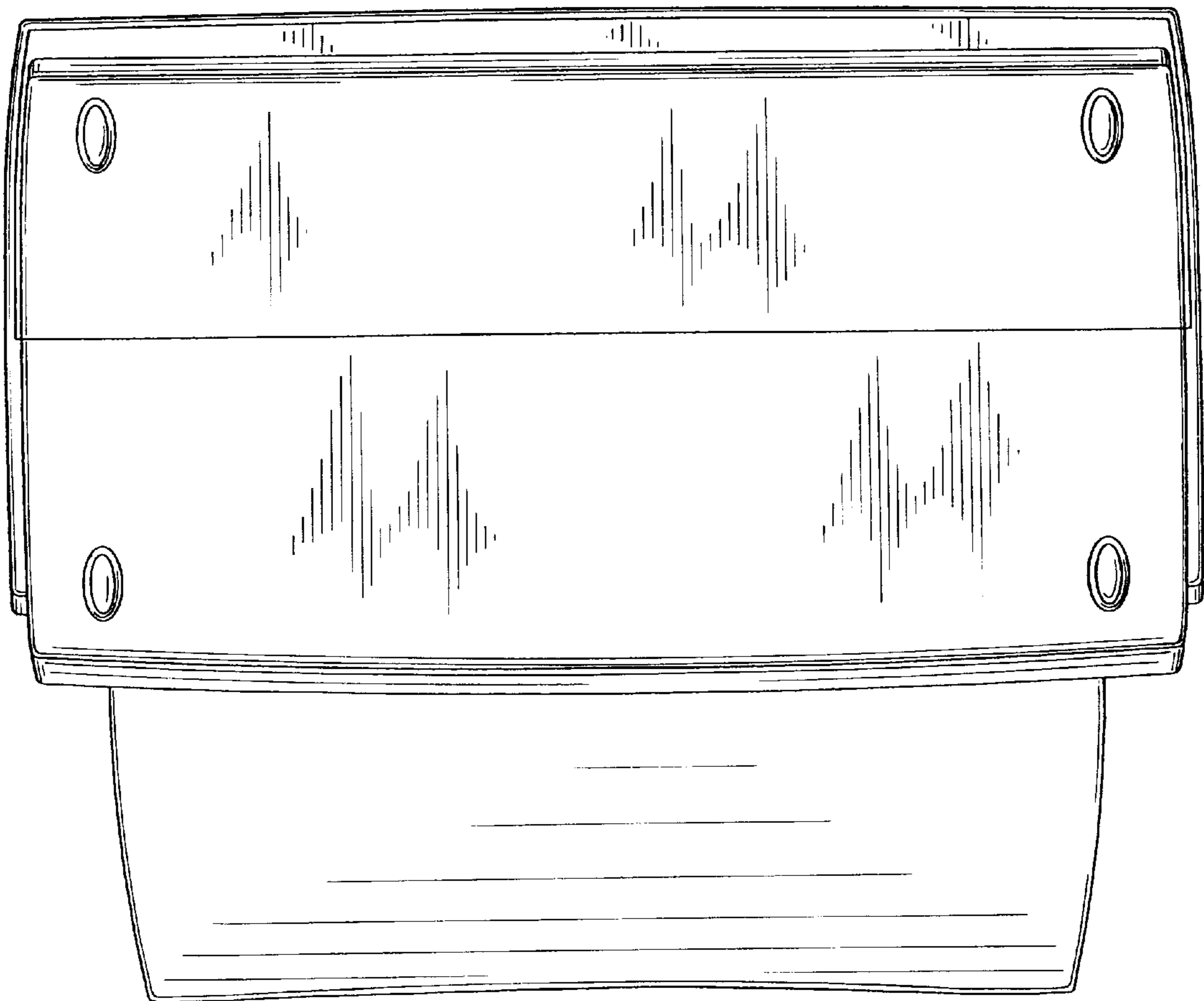


FIG. 5

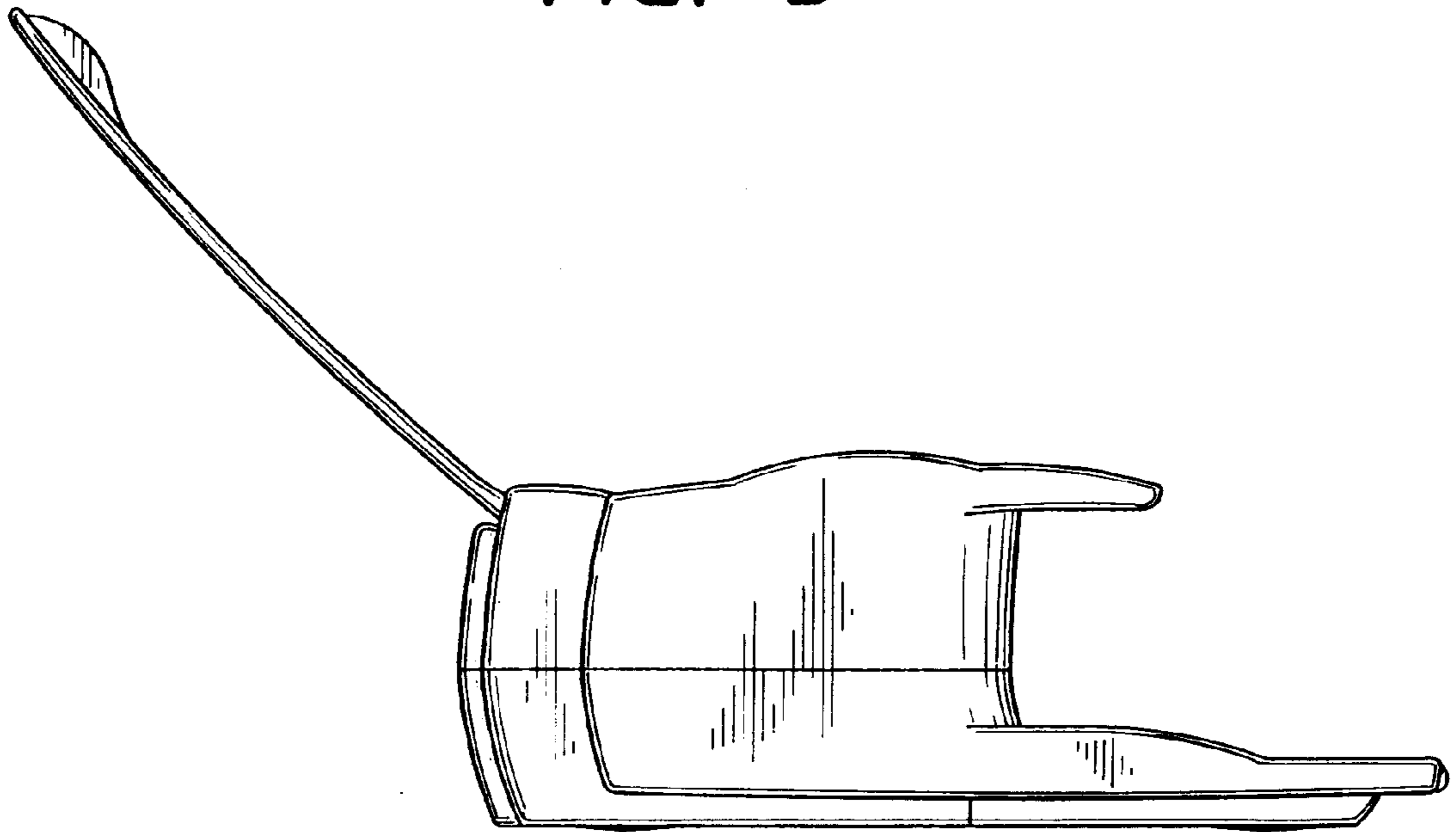
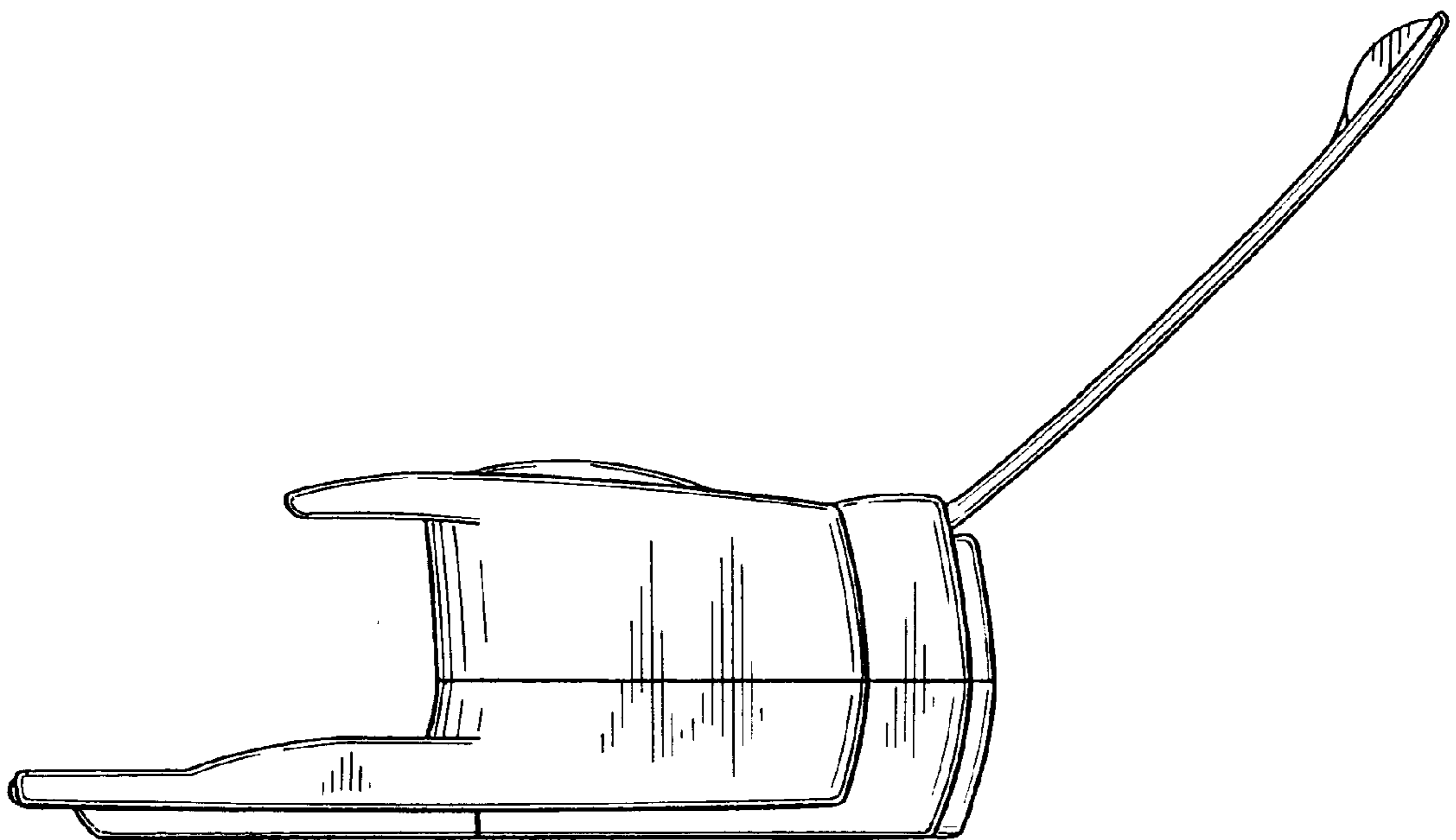


FIG. 6



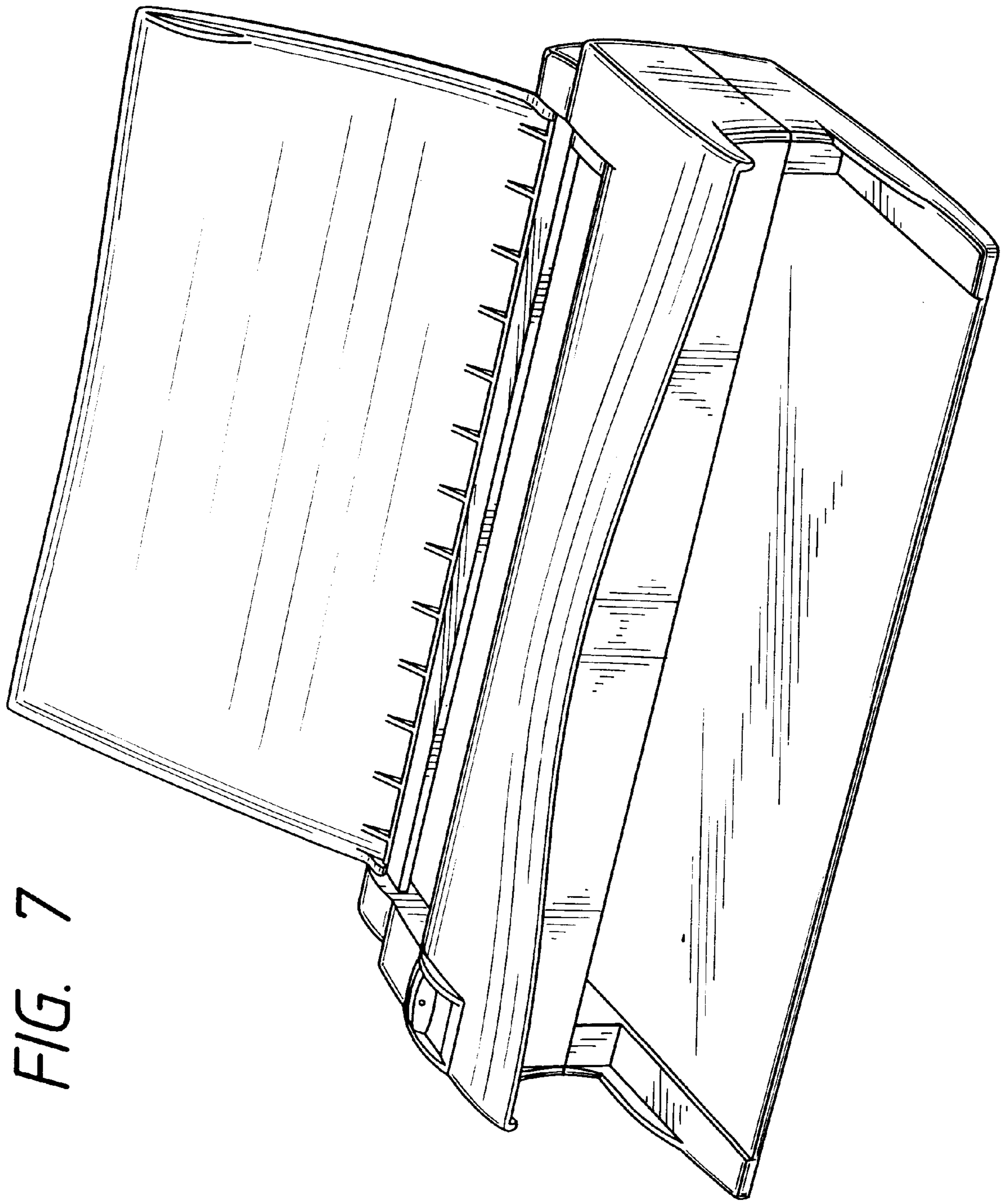


FIG. 7