



US00D418862S

United States Patent [19]

Ogawa et al.

[11] Patent Number: Des. 418,862

[45] Date of Patent: ** Jan. 11, 2000

[54] TONER CARTRIDGE

[75] Inventors: **Moriaki Ogawa**, Tokyo; **Takaaki Tawada**, Kanagawa; **Takeo Suda**, Tokyo; **Akiyoshi Tanaka**, Kanagawa, all of Japan

[73] Assignee: **Ricoh Company, Inc.**, Tokyo, Japan

[**] Term: **14 Years**

[21] Appl. No.: **29/094,177**

[22] Filed: **Sep. 28, 1998**

[30] **Foreign Application Priority Data**

Mar. 27, 1998 [JP] Japan 10-008819

[51] **LOC (7) Cl.** **16-03**

[52] **U.S. Cl.** **D18/43**

[58] **Field of Search** D18/36, 40, 43, D18/56; 399/24, 27, 106, 256, 262; 222/DIG. 1

[56] **References Cited**

U.S. PATENT DOCUMENTS

D. 394,450 5/1998 Katoh et al. D18/43

Primary Examiner—Caron D. Veynar
Attorney, Agent, or Firm—Dickstein Shapiro Morin & Oshinsky LLP

[57] **CLAIM**

The ornamental design for toner cartridge, as shown and described.

DESCRIPTION

FIG. 1 is a front view of a toner cartridge showing our new design;

FIG. 2 is a rear view thereof;

FIG. 3 is a top view thereof;

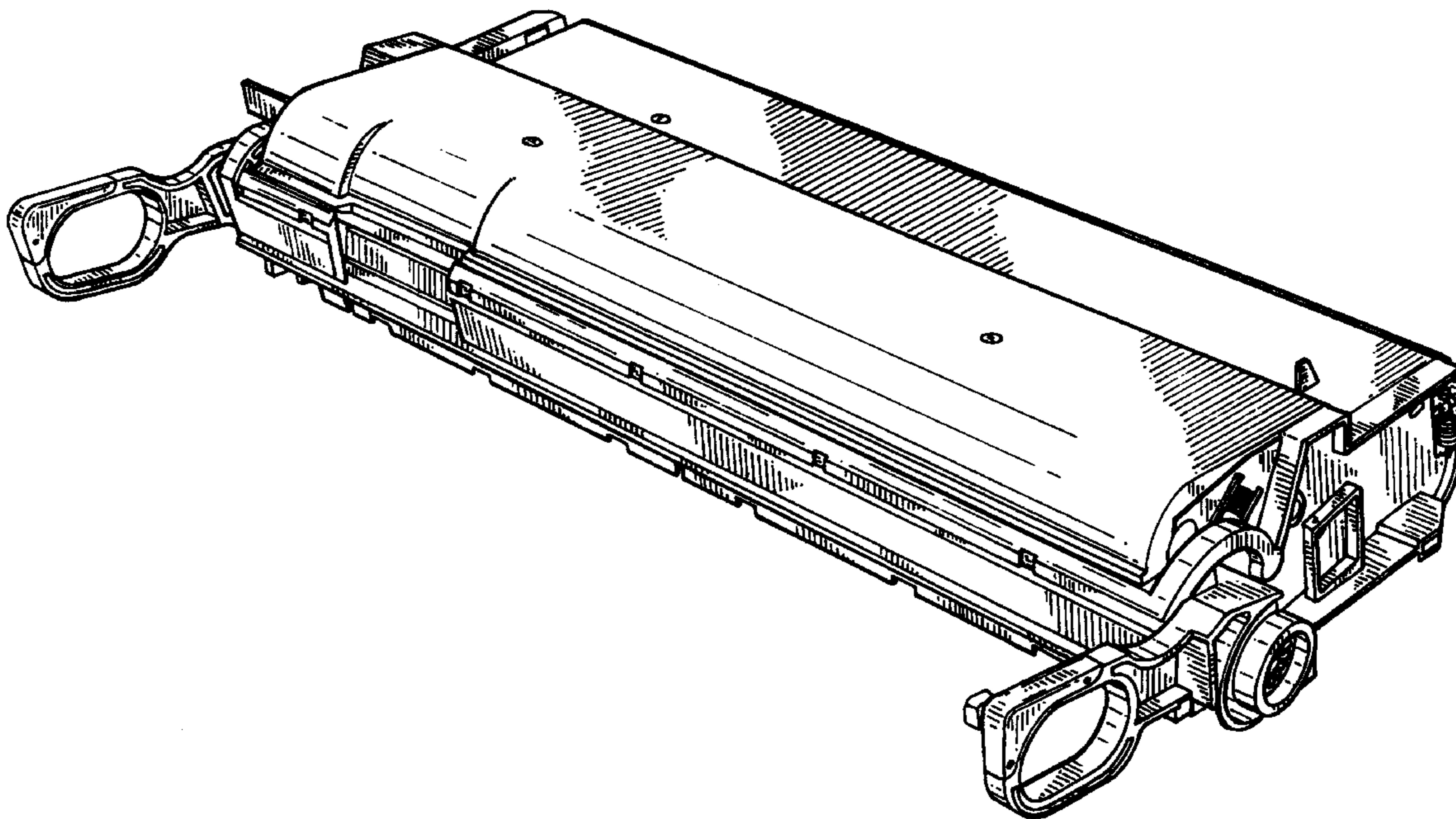
FIG. 4 is a bottom view thereof;

FIG. 5 is a left side view thereof;

FIG. 6 is a right side view thereof; and,

FIG. 7 is a top, front, and right side perspective view thereof.

1 Claim, 5 Drawing Sheets



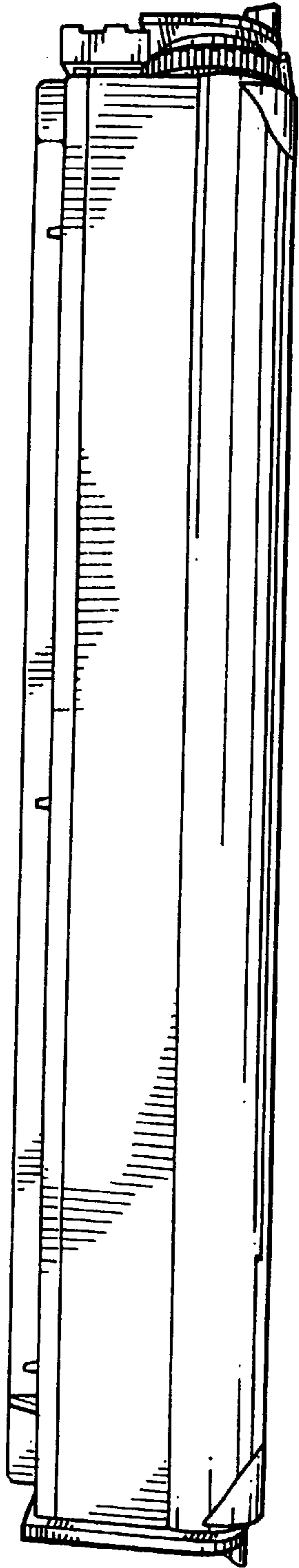


FIG. 2

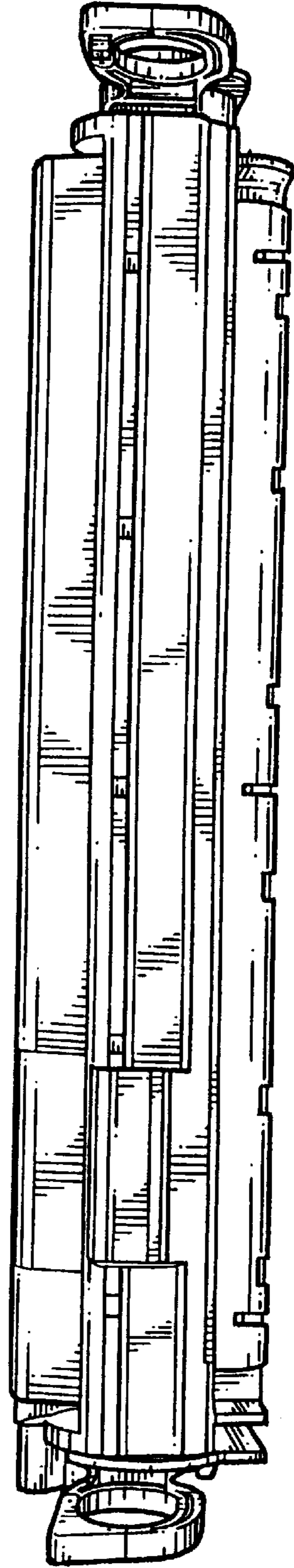


FIG. 1

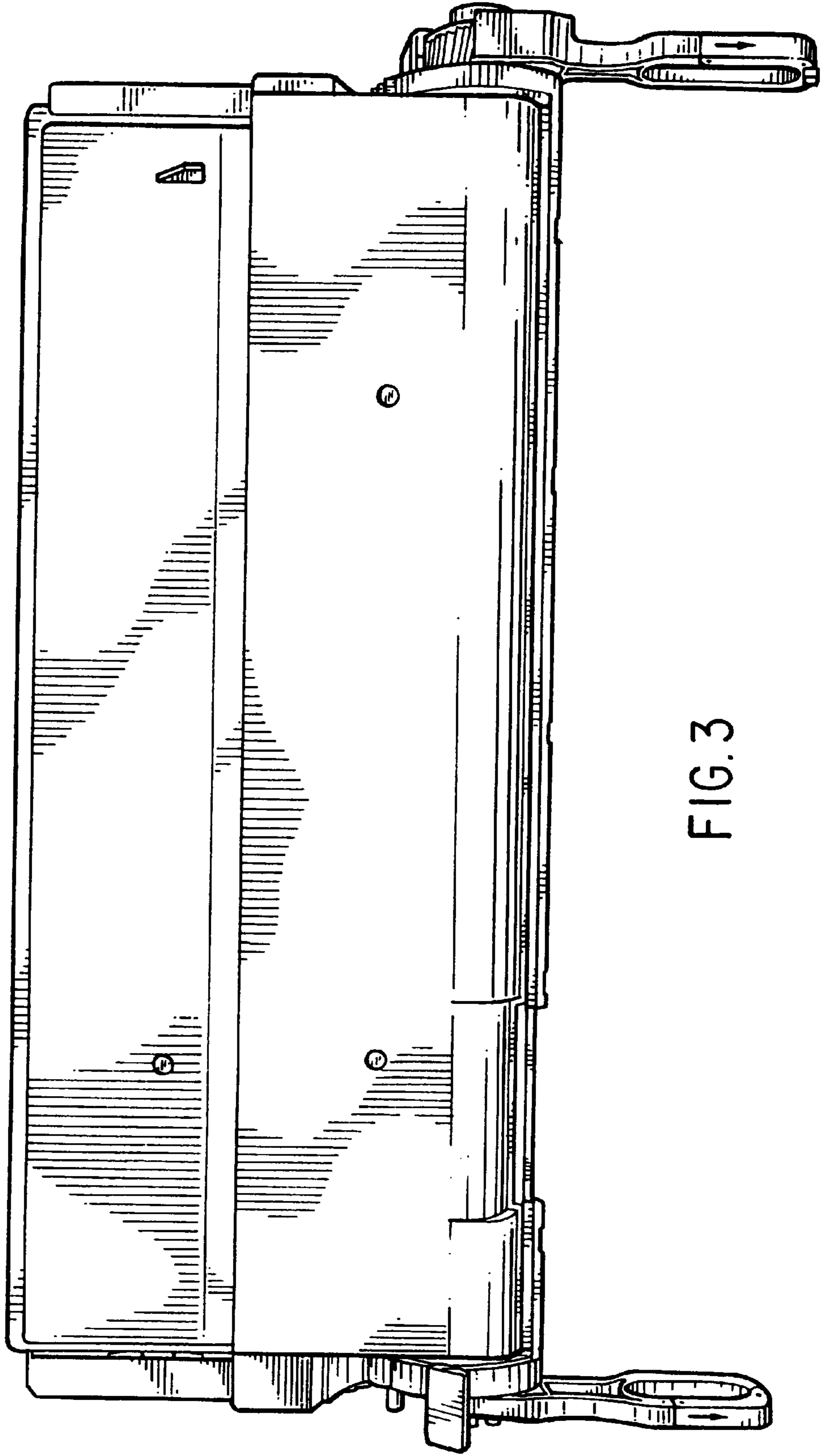


FIG. 3

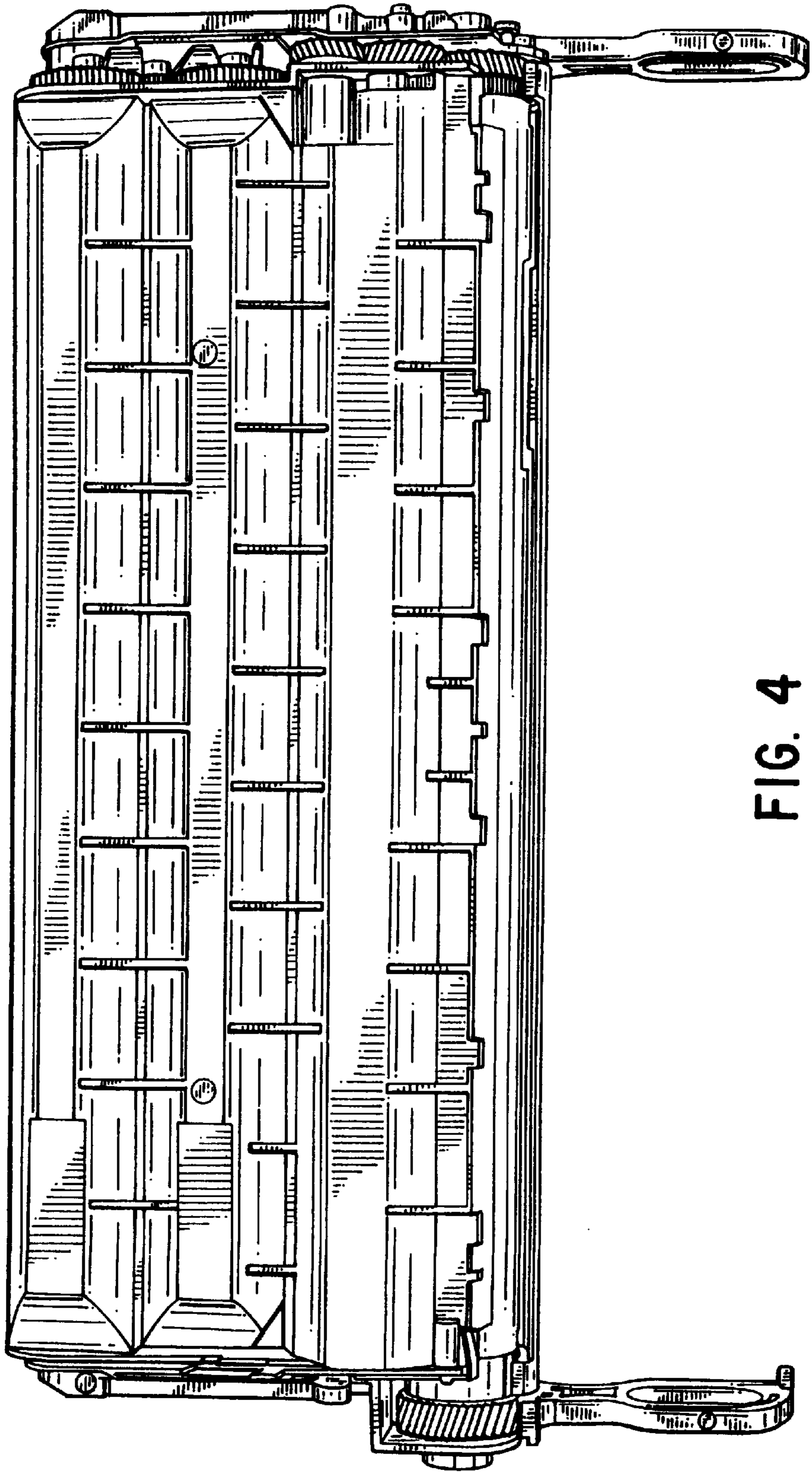


FIG. 4

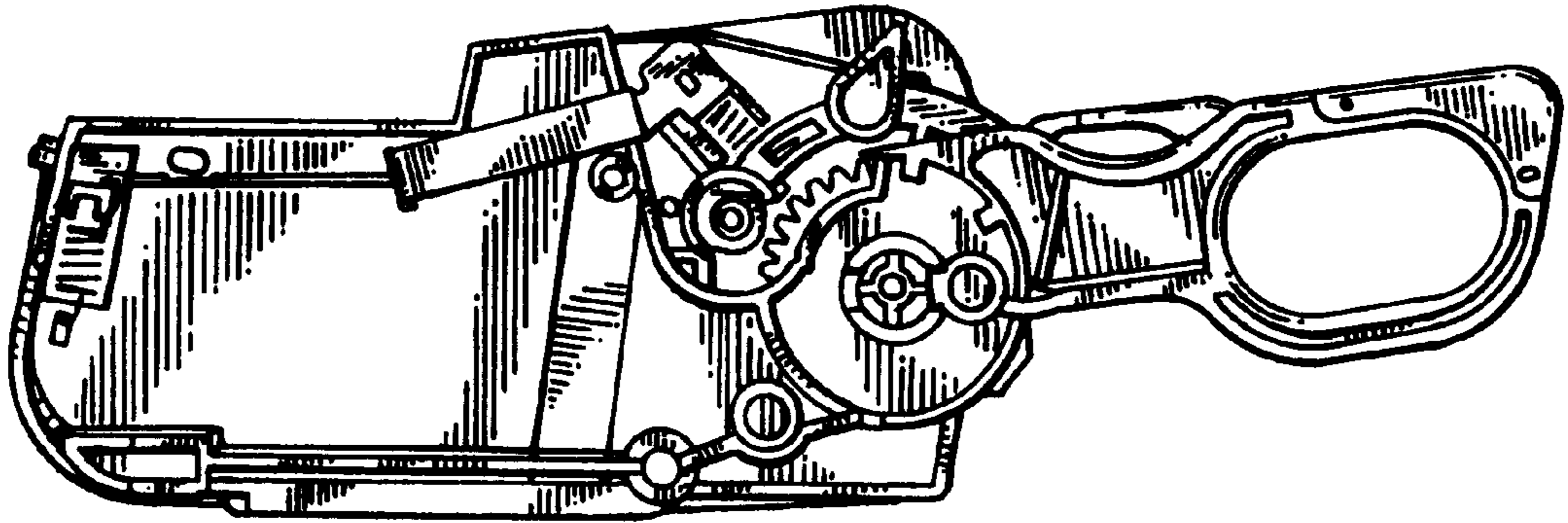


FIG. 5

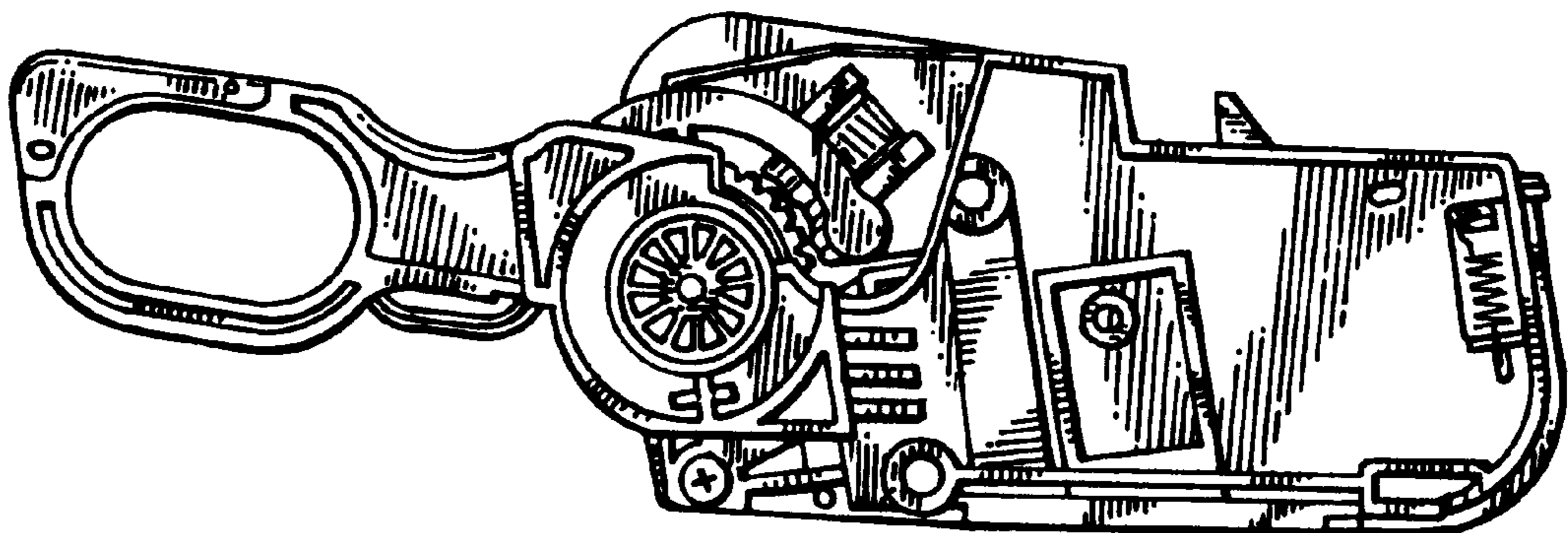


FIG. 6

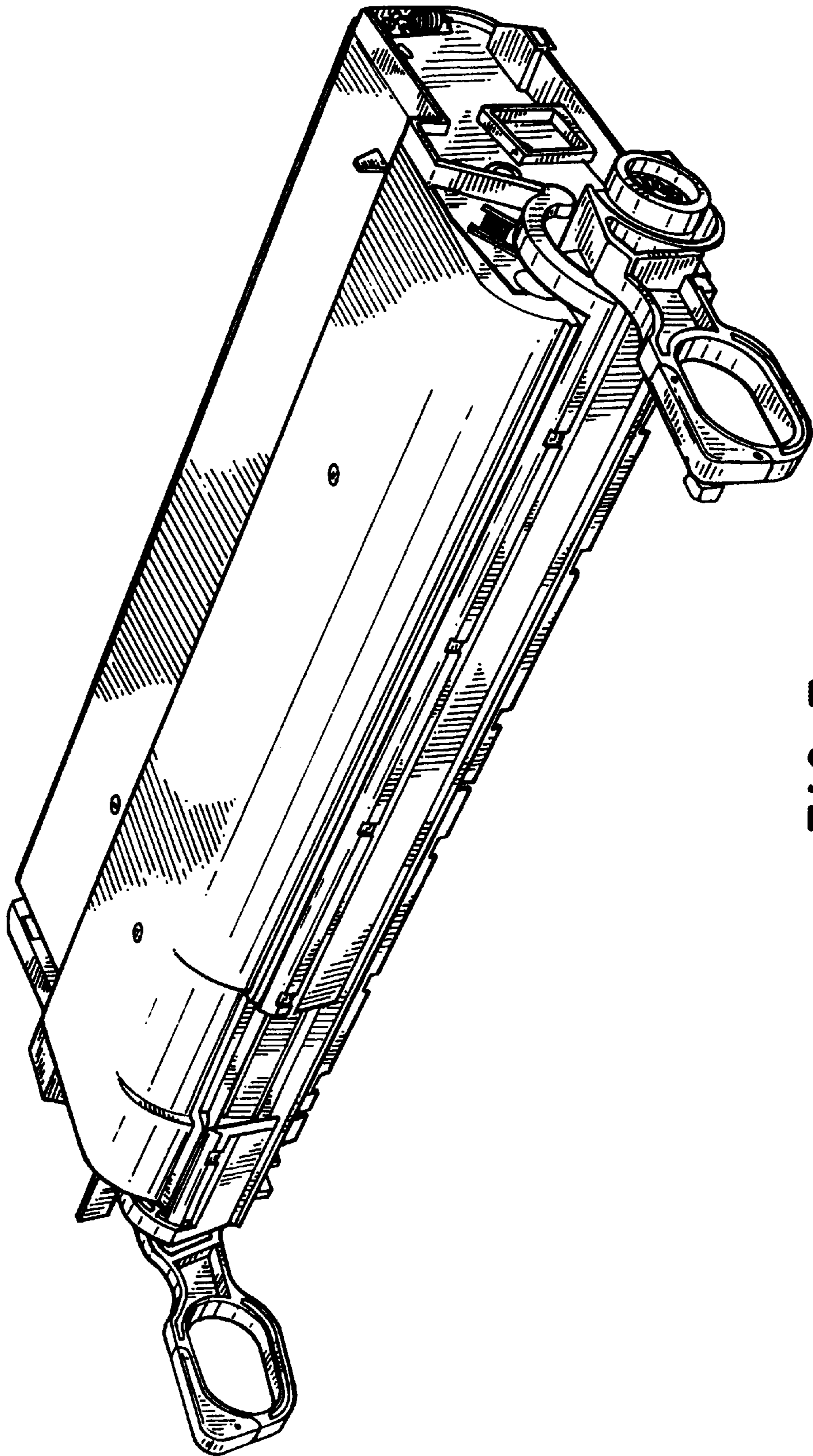


FIG. 7