



US00D418861S

United States Patent [19] Goss

[11] Patent Number: **Des. 418,861**

[45] Date of Patent: **** Jan. 11, 2000**

[54] **PAD PRINTER**

[76] Inventor: **Duke W. Goss**, 1330 Eighth St. West,
Kirkland, Wash. 98033

[**] Term: **14 Years**

[21] Appl. No.: **29/069,302**

[22] Filed: **Apr. 23, 1997**

Related U.S. Application Data

[63] Continuation-in-part of application No. 08/742,146, Oct. 31, 1996.

[51] **LOC (7) Cl.** **19-02**

[52] **U.S. Cl.** **D18/14; D18/50**

[58] **Field of Search** **D18/50, 14, 34;**
101/163-165, 35, 41-44, 104, 287

[56] References Cited

U.S. PATENT DOCUMENTS

D. 314,585	2/1991	Chan	D18/14
D. 326,472	5/1992	Chung	D18/14
D. 340,256	10/1993	Ng	D18/14
D. 372,260	7/1996	Nelson	D18/14

4,779,531	10/1988	Ueno et al.	101/163
5,272,973	12/1993	Chojnacki	101/163
5,476,040	12/1995	Kleist	101/163
5,537,921	7/1996	Adner et al.	101/35

OTHER PUBLICATIONS

Kobo Company, Product Brochure: Multi-Pad Printer, prior to 1996.

Primary Examiner—Louis S. Zarfes

Assistant Examiner—G. Andoll

[57] CLAIM

The ornamental design for a pad printer, as shown and described.

DESCRIPTION

FIG. 1 is a front perspective view of the pad printer showing my new design;
FIG. 2 is a rear side view thereof;
FIG. 3 is a right side view thereof;
FIG. 4 is a left side view thereof;
FIG. 5 is a front side view thereof;
FIG. 6 is a bottom plan view thereof; and,
FIG. 7 is a top plan view thereof.

1 Claim, 7 Drawing Sheets

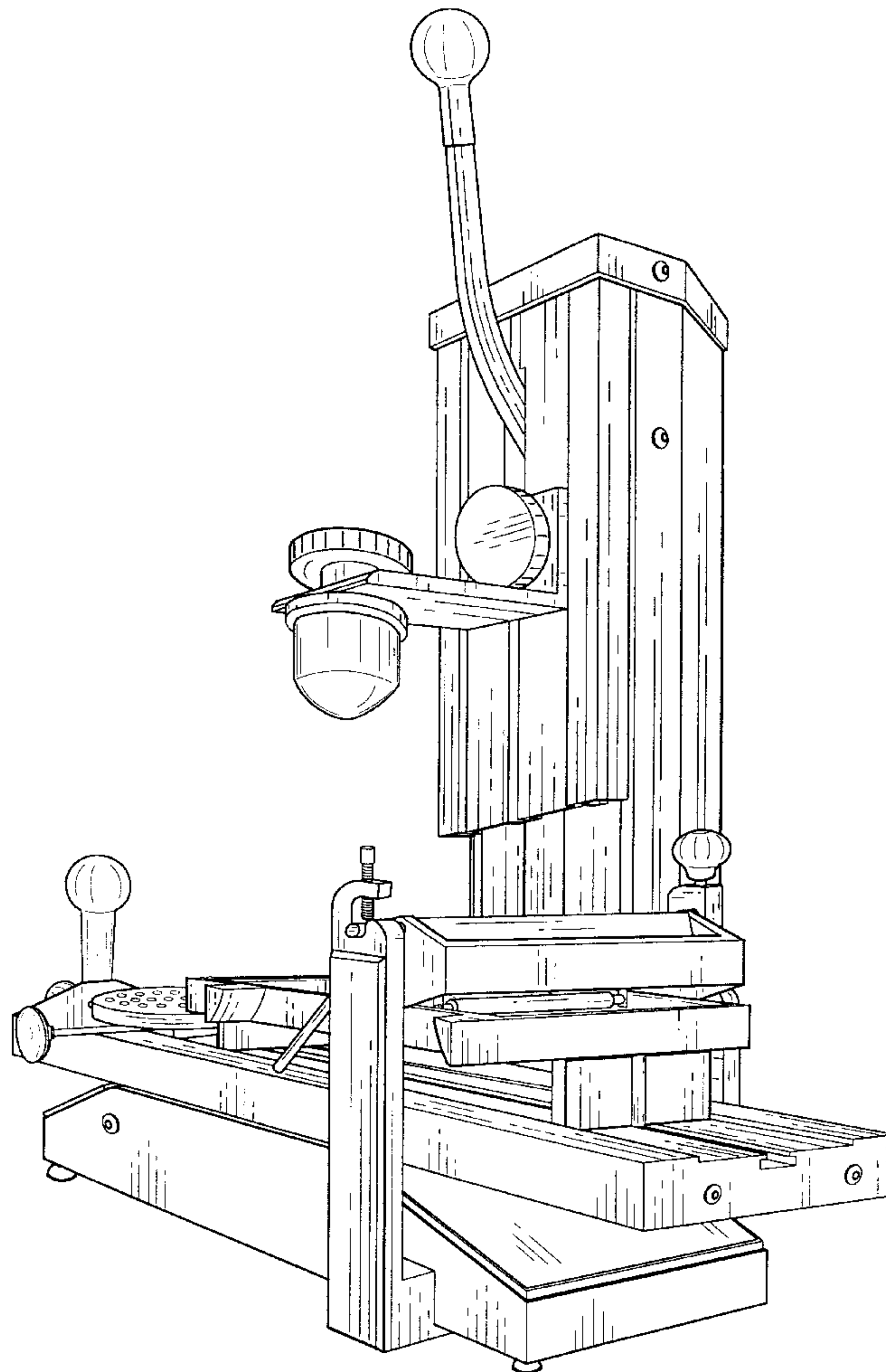
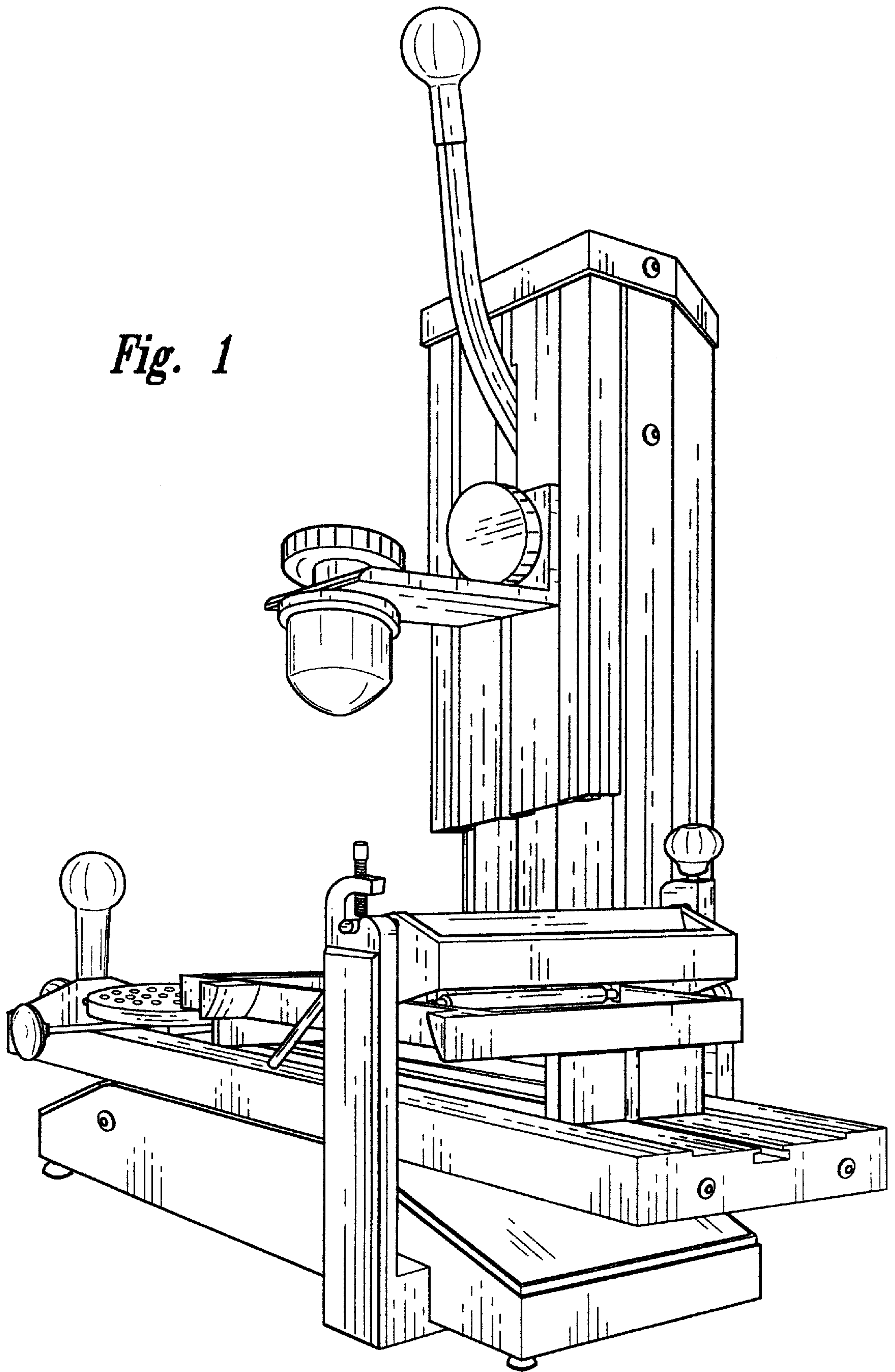


Fig. 1



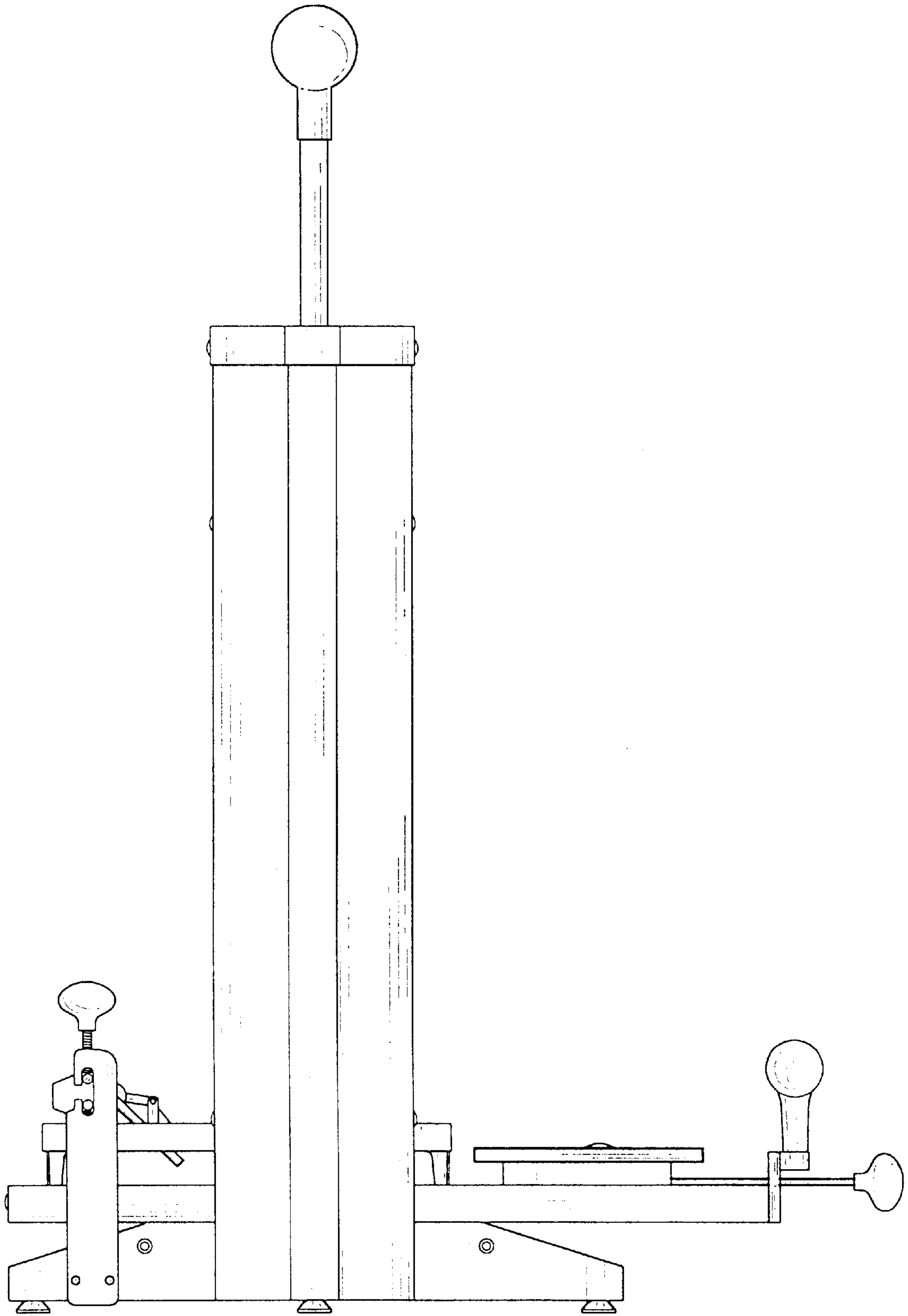
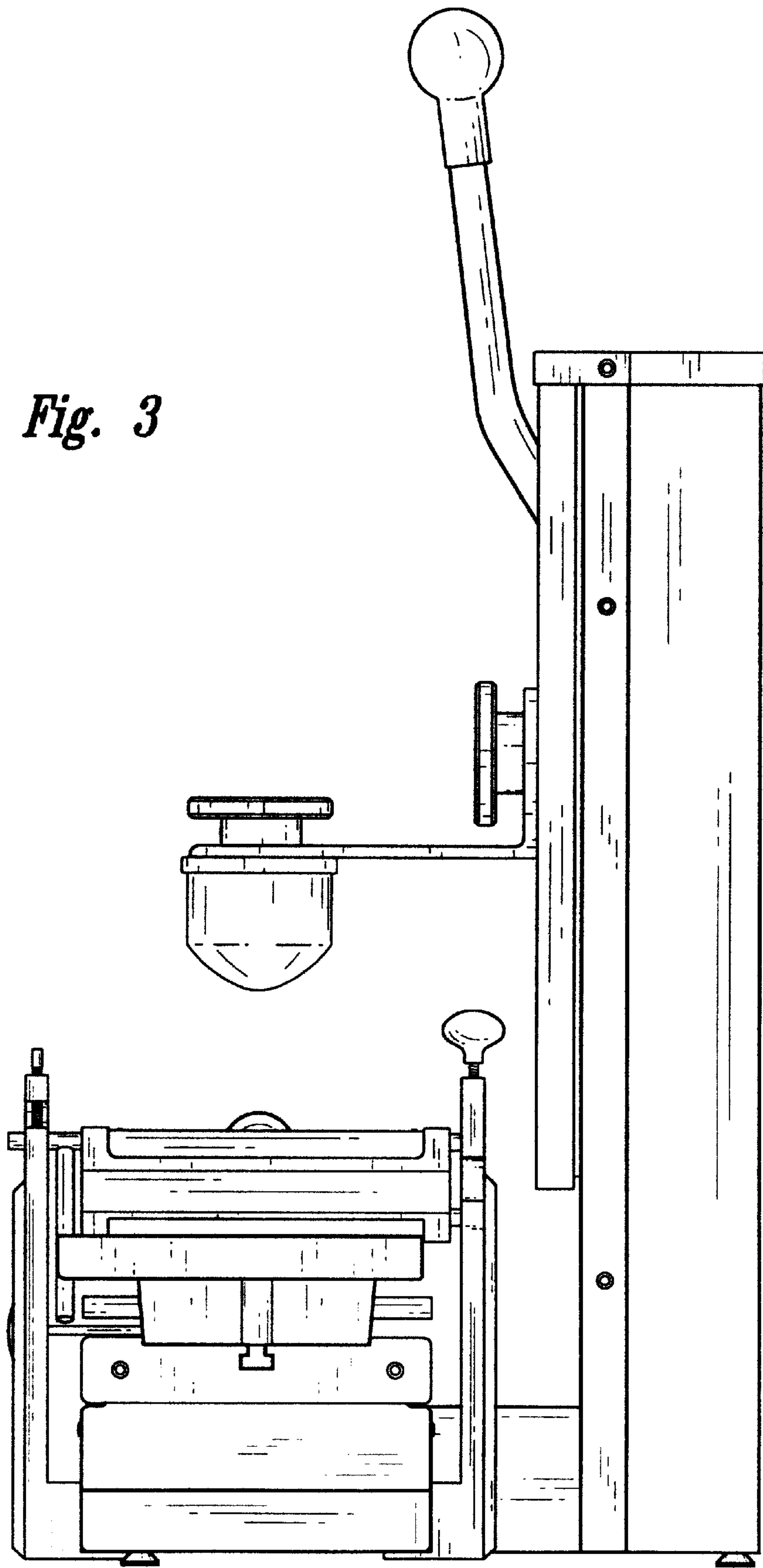


Fig. 2

Fig. 3



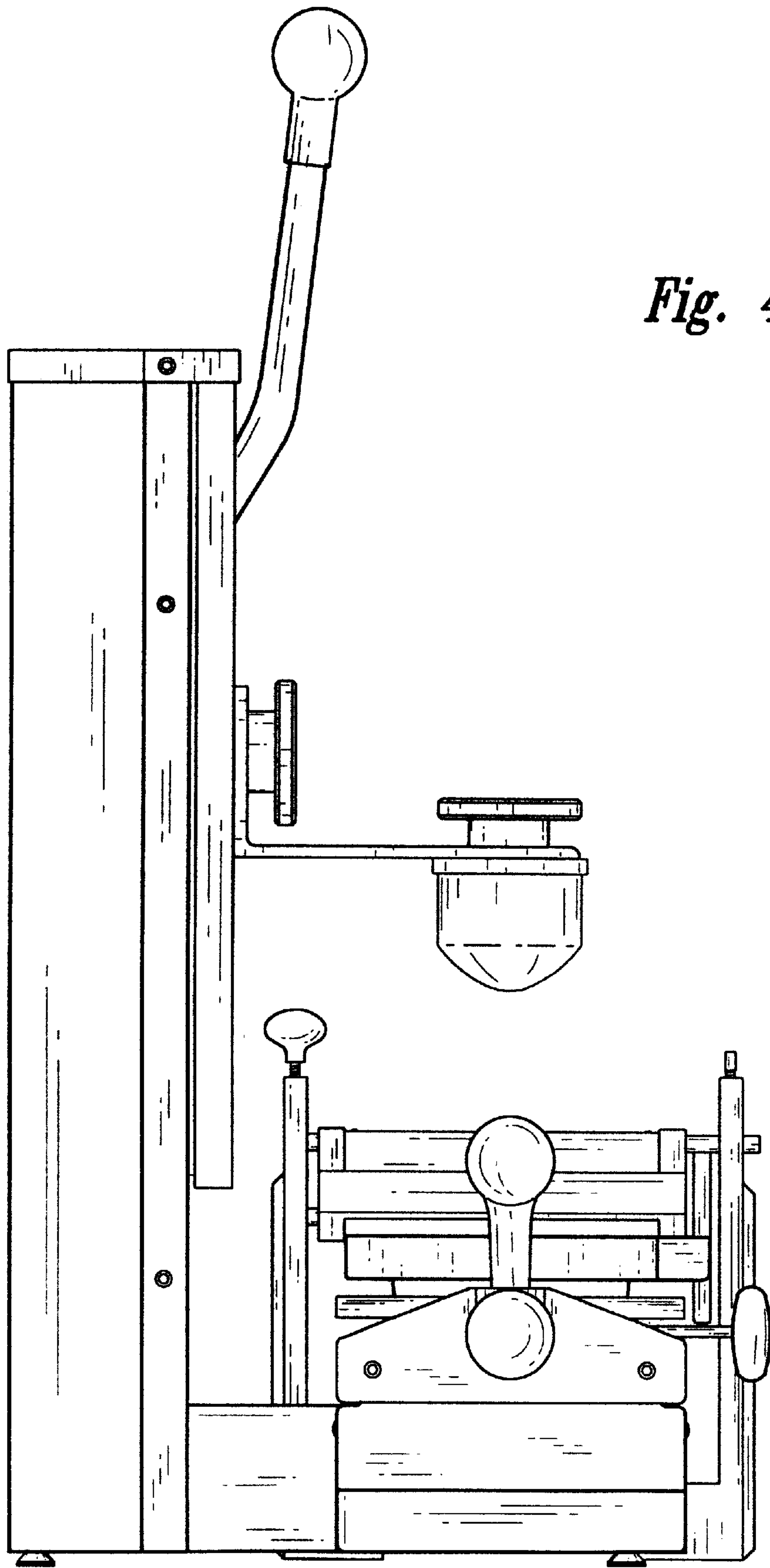


Fig. 4

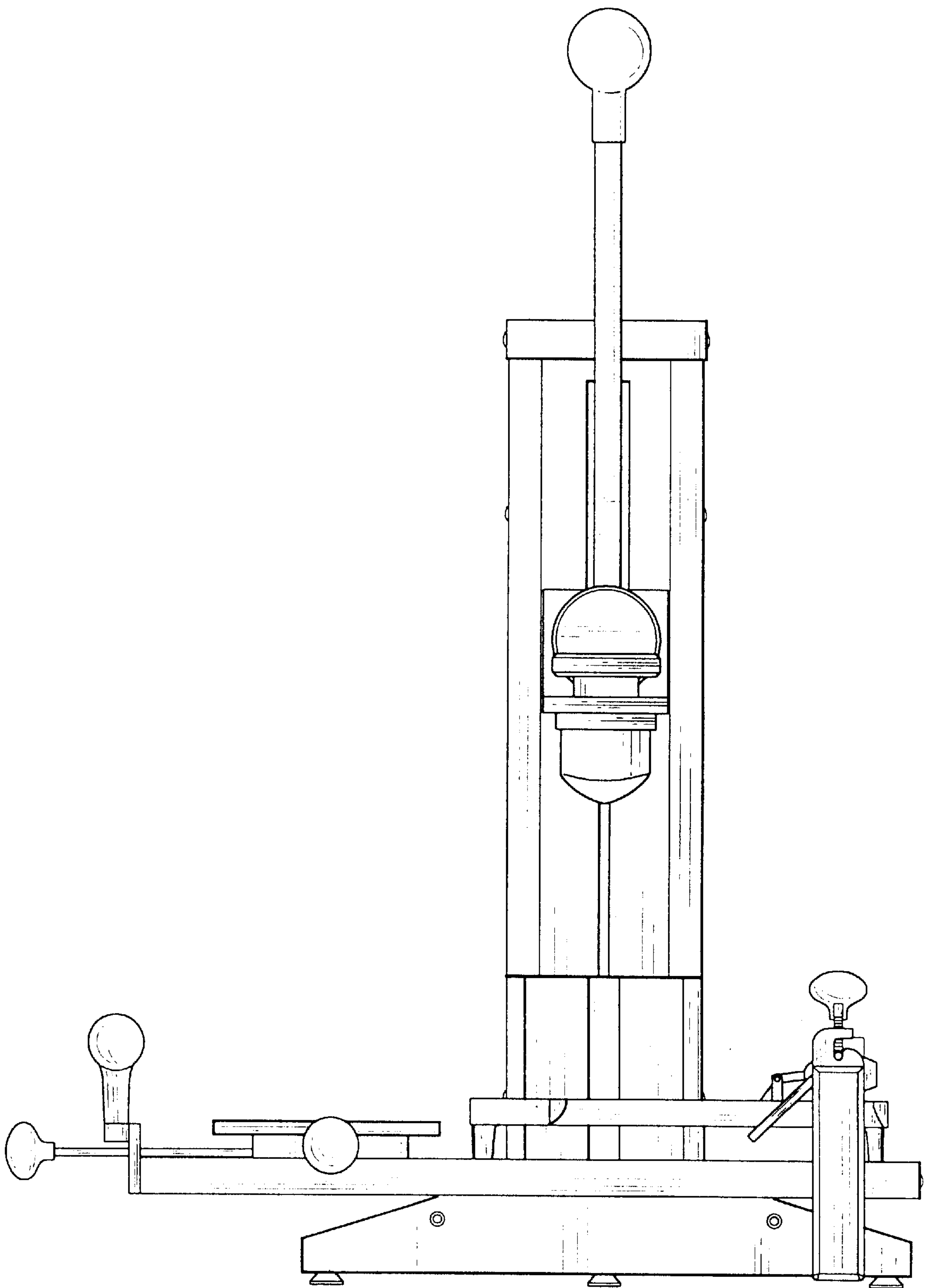
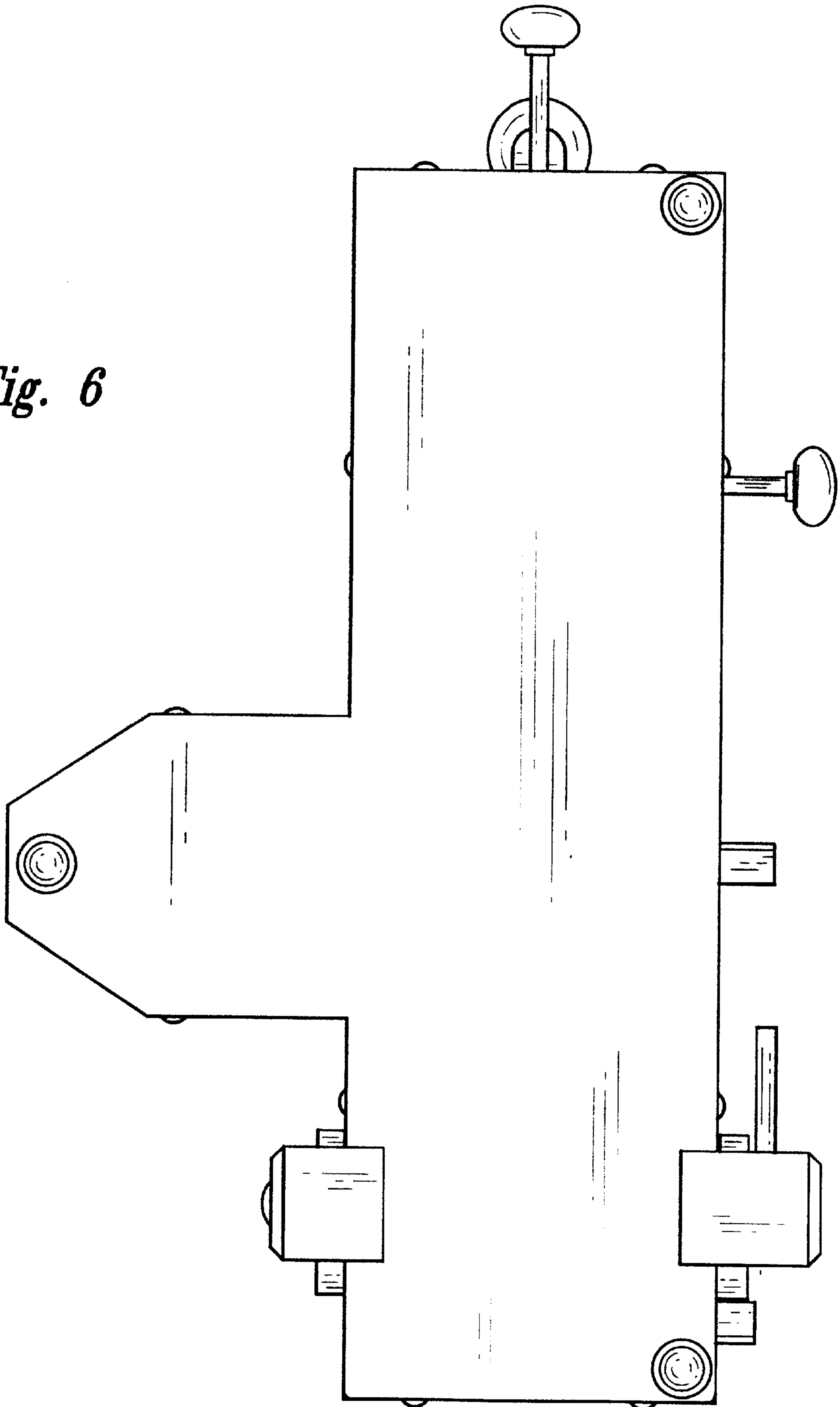


Fig. 5

Fig. 6



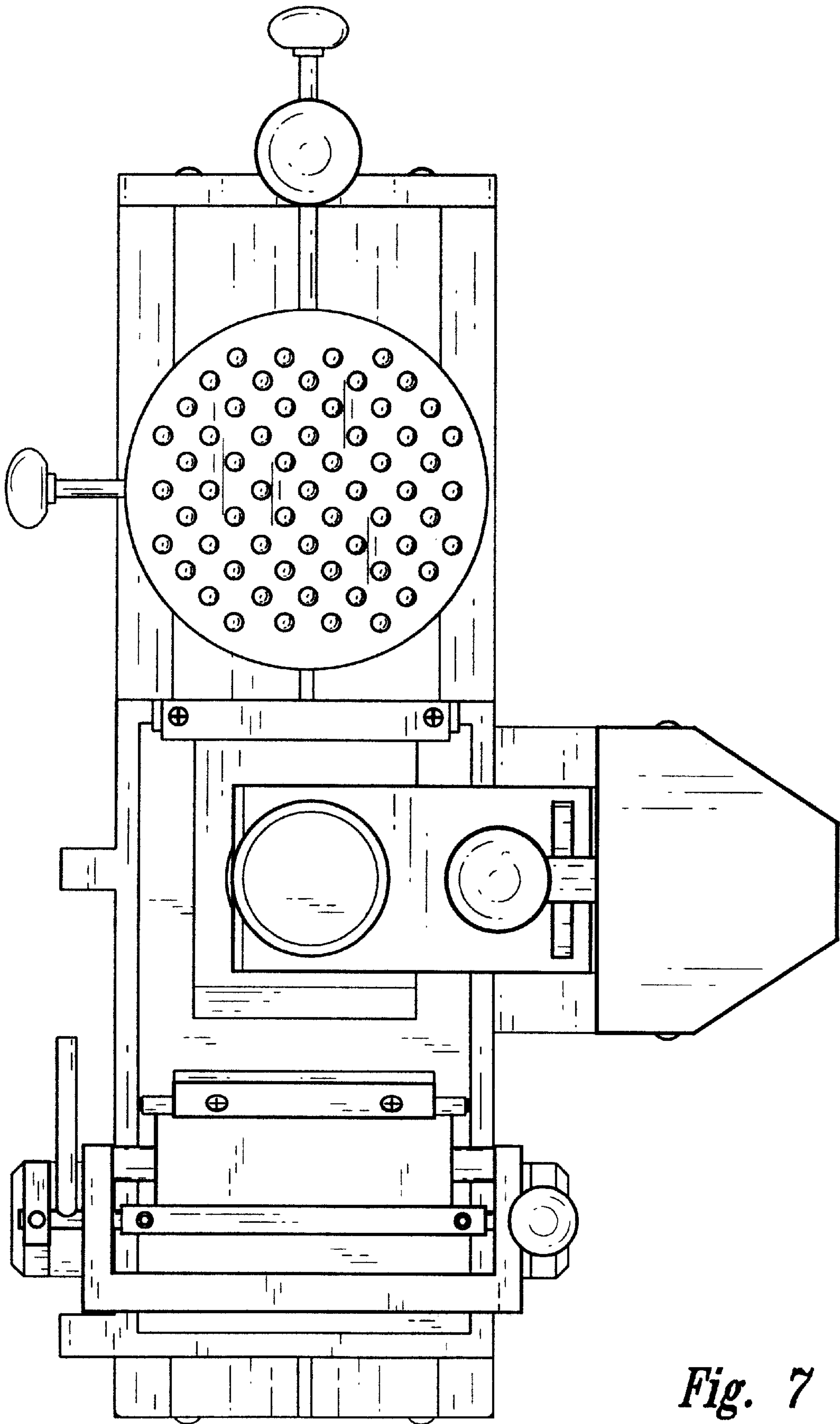


Fig. 7