



US00D418860S

United States Patent [19]
Shimoyama et al.

[11] **Patent Number: Des. 418,860**
[45] **Date of Patent: ** Jan. 11, 2000**

[54] **CARTRIDGE**

[75] Inventors: **Atsuhiko Shimoyama; Junichi Yamamoto**, both of Toyohashi, Japan

[73] Assignee: **Minolta Co., Ltd.**, Osaka, Japan

[**] Term: **14 Years**

[21] Appl. No.: **29/072,836**

[22] Filed: **Jun. 30, 1997**

[30] **Foreign Application Priority Data**

Dec. 30, 1996 [JP] Japan 8-40017

[51] **LOC (7) Cl.** **18-01**

[52] **U.S. Cl.** **D18/12**

[58] **Field of Search** D18/12, 40, 43,
D18/56; 400/207, 208, 234, 613, 246; D14/111,
114

[56] **References Cited**

U.S. PATENT DOCUMENTS

D. 327,495	6/1992	Nagai	D18/56
D. 332,275	1/1993	Katsuno	D18/12
D. 334,209	3/1993	Katsuno	D18/56
D. 334,585	4/1993	Okauchi	D18/40
D. 361,592	8/1995	Niwano	D18/56
D. 367,885	3/1996	Ikenaga	D18/56
4,904,100	2/1990	Enix	400/613
5,243,360	9/1993	Tomoda et al.	
5,385,416	1/1995	Maekawa et al.	400/208
5,393,149	2/1995	Iima	400/208
5,399,034	3/1995	Fujii et al.	400/207
5,399,035	3/1995	Nakae	400/207
5,447,382	9/1995	Yui et al.	400/207
5,455,617	10/1995	Stephenson et al.	400/207 X
5,584,587	12/1996	Koike et al.	400/246

Primary Examiner—Caron D. Veynar
Attorney, Agent, or Firm—McDermott, Will & Emery

1 Claim, 9 Drawing Sheets

[57] **CLAIM**

The ornamental design for the cartridge, as shown and described.

DESCRIPTION

FIG. 1 is a bottom perspective view of the cartridge showing our new design, the broken line showing of portions of the cartridge is for environmental purposes only and form no part of the design;

FIG. 2 is a top plan view thereof;

FIG. 3 is a bottom plan view thereof;

FIG. 4 is a front elevational view thereof;

FIG. 5 is a rear elevational view thereof;

FIG. 6 is a left side elevational view thereof;

FIG. 7 is a right side elevational view thereof;

FIG. 8 is a bottom perspective view of a second embodiment of our new design, the broken line showing of portions of the cartridge is for environmental purposes only and form no part of the design;

FIG. 9 is a top plane view of the embodiment of FIG. 8.

FIG. 10 is a bottom plan view of the embodiment of FIG. 8;

FIG. 11 is a front elevational view of the embodiment of FIG. 8;

FIG. 12 is a rear elevational view of the embodiment of FIG. 8;

FIG. 13 is a left side elevational view of the embodiment shown in FIG. 8;

FIG. 14 is a right side elevational view of the embodiment shown in FIG. 8.

FIG. 15 is a bottom perspective view of a third embodiment of our new design;

FIG. 16 is a top plan view of the embodiment of FIG. 15;

FIG. 17 is a bottom side elevational view of the embodiment of FIG. 15;

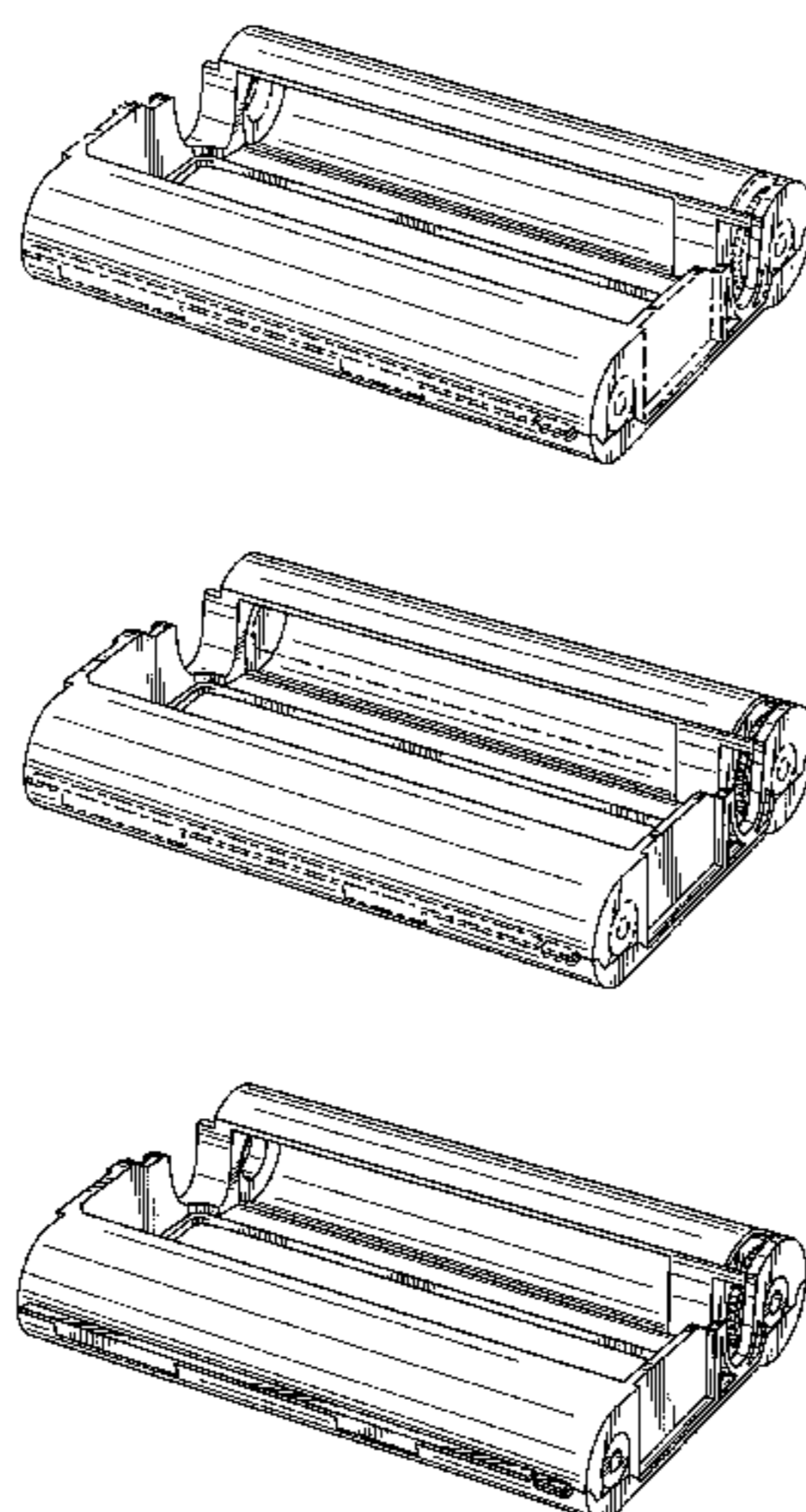
FIG. 18 is a front side elevational view of the embodiment of FIG. 15;

FIG. 19 is a rear elevational view of the embodiment of FIG. 15;

FIG. 20 is a left view of the embodiment shown in FIG. 15; and,

FIG. 21 is a right view of the embodiment shown in FIG. 15.

The drawings of FIGS. 2-7, 9-14, and 16-21 are smaller to scale than FIGS. 1, 8, and 15.



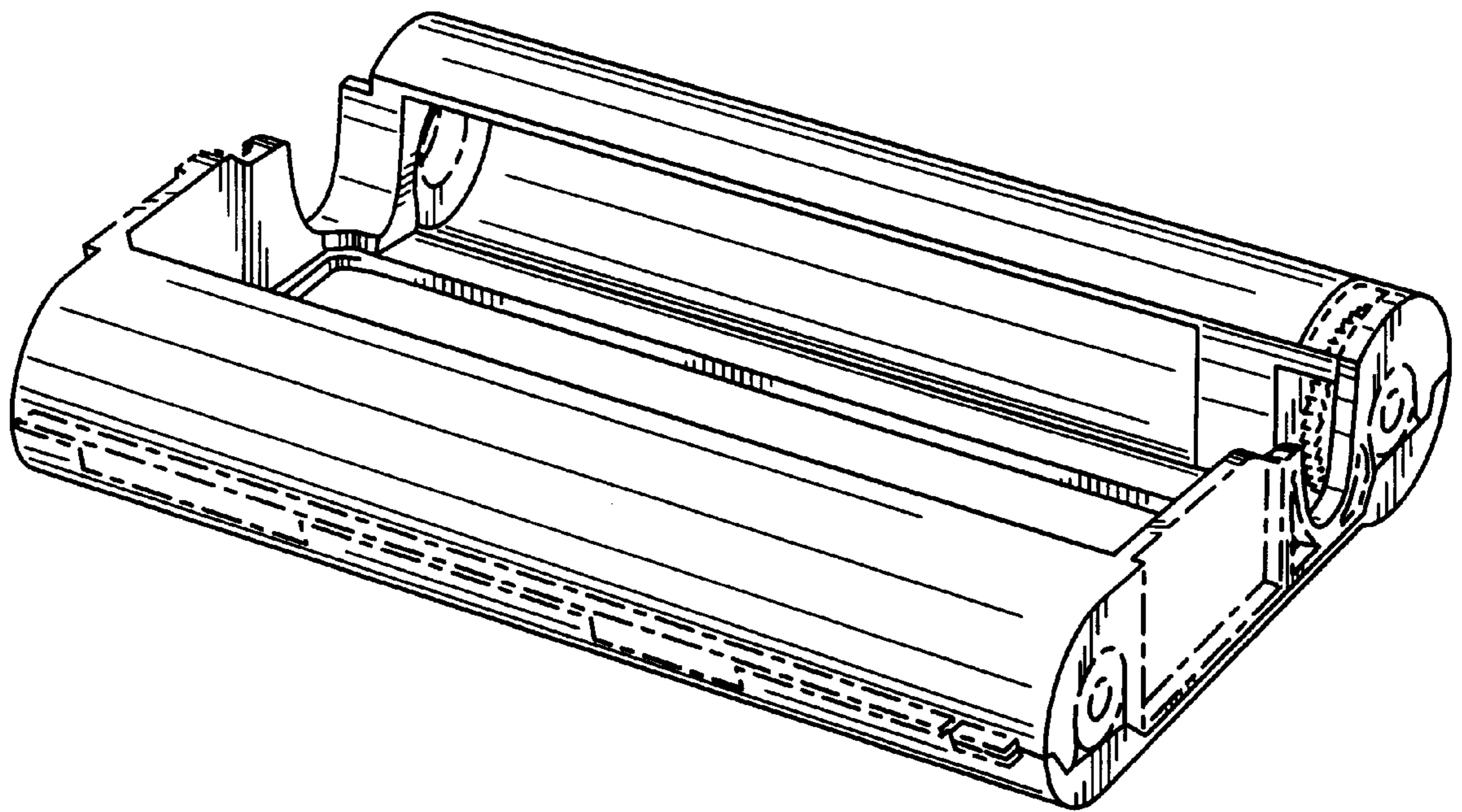


FIG. 1

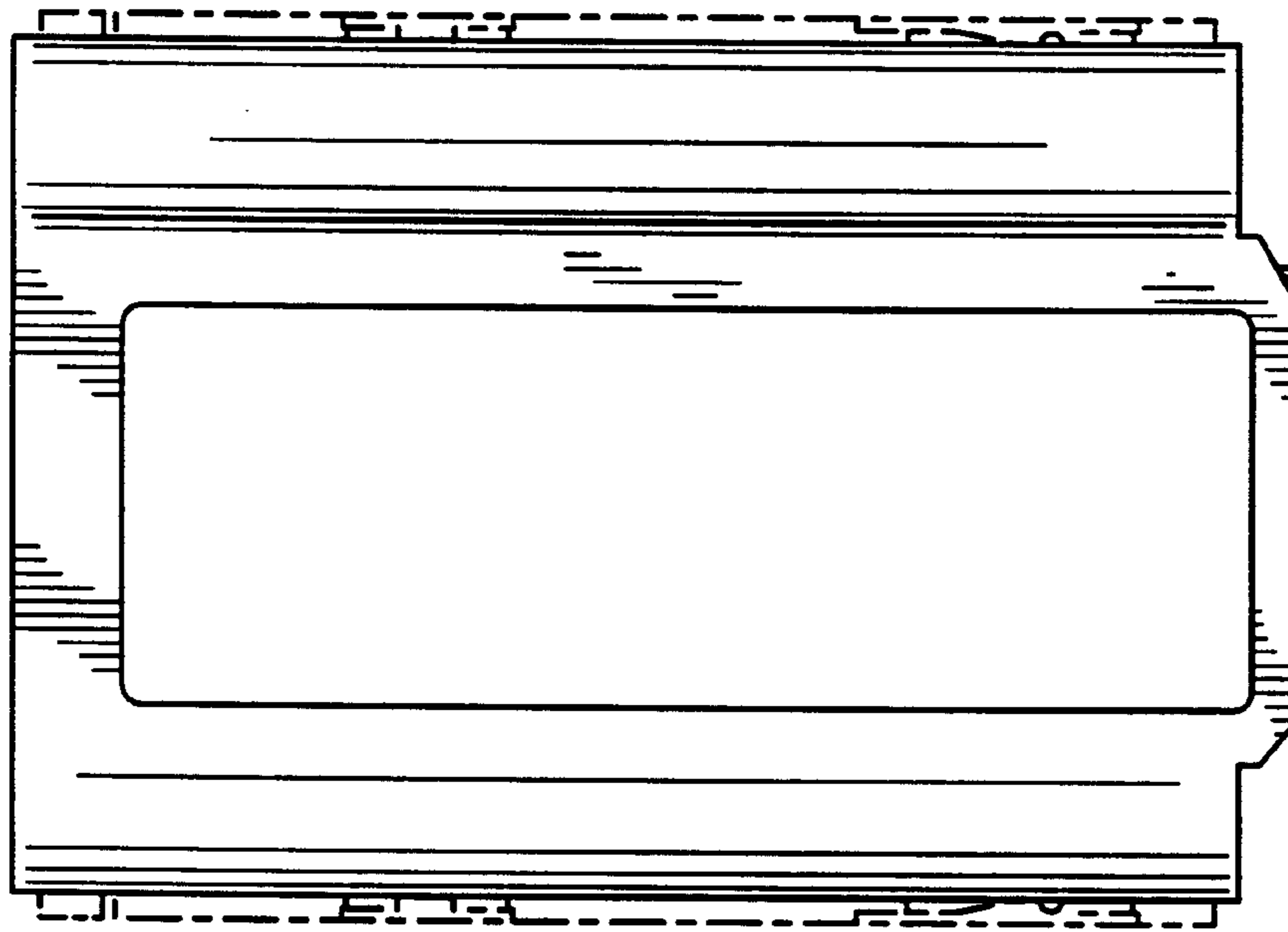


FIG. 2

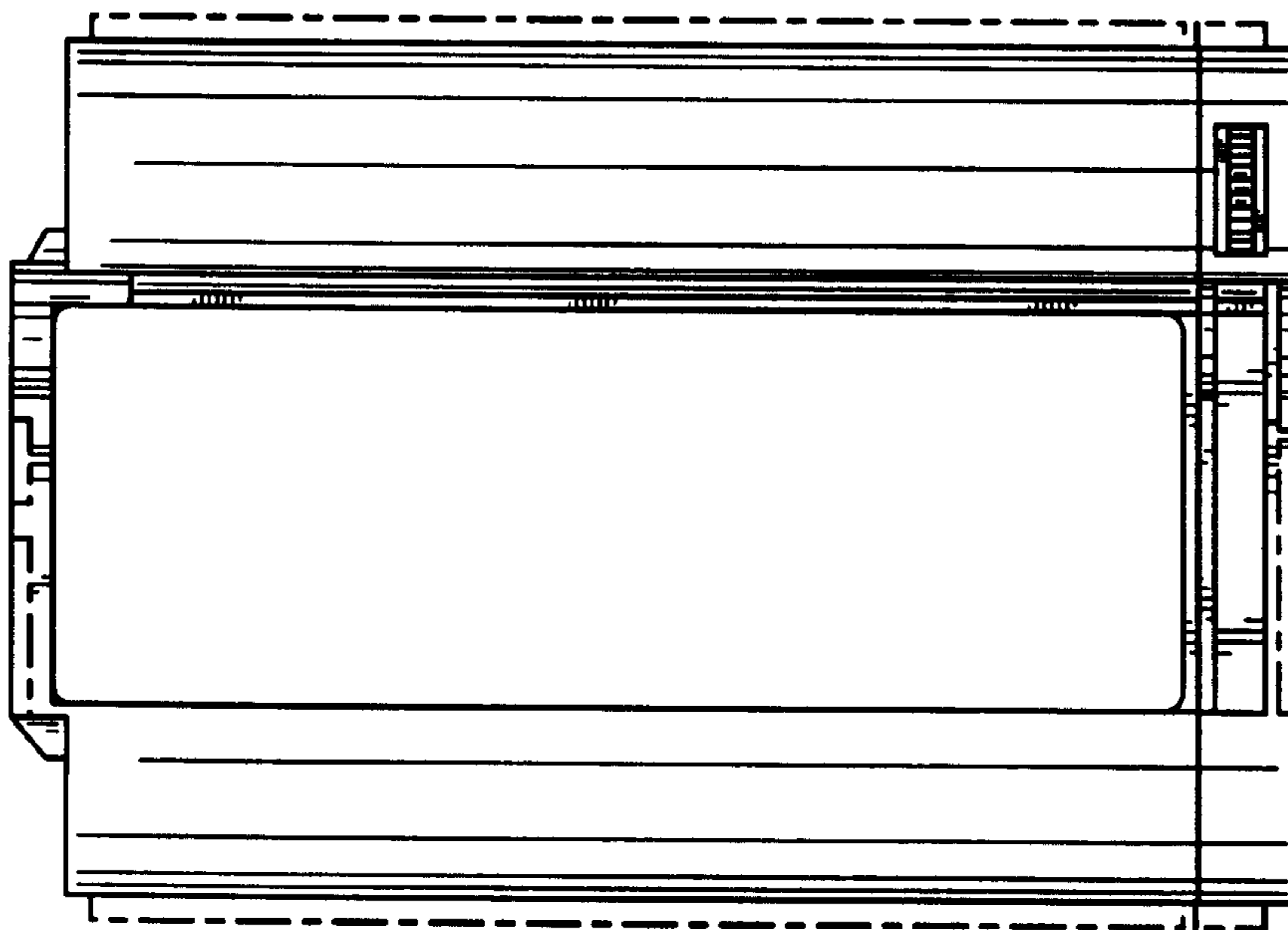


FIG. 3

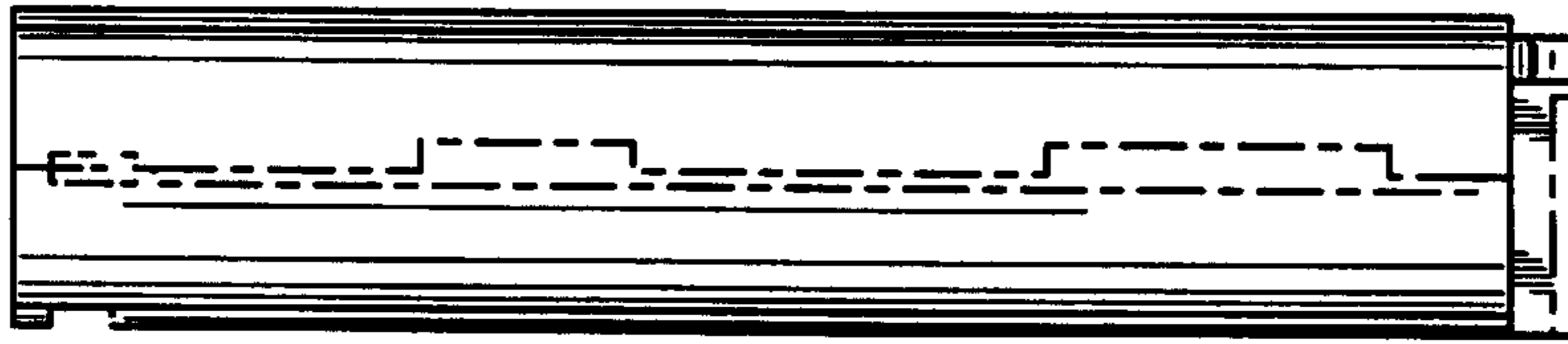


FIG. 4

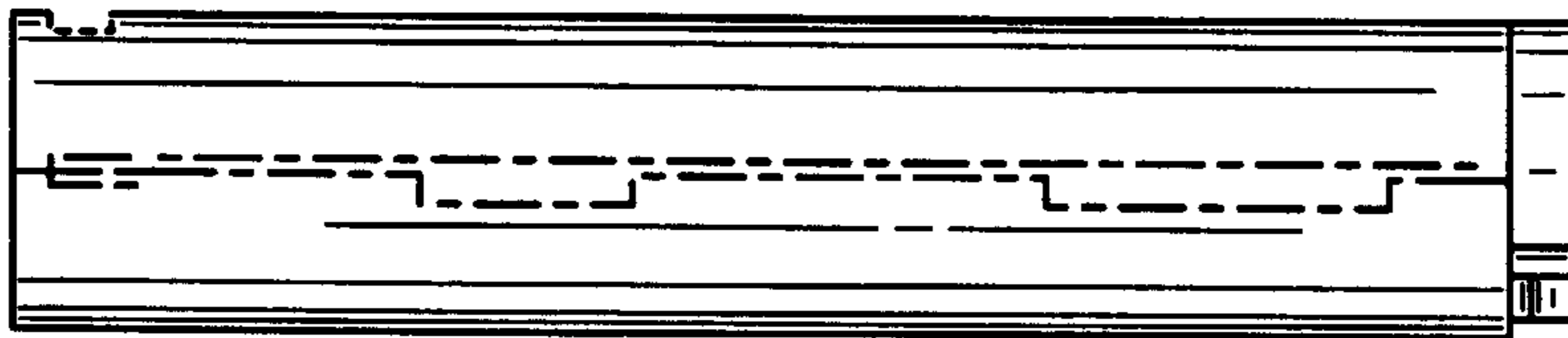


FIG. 5

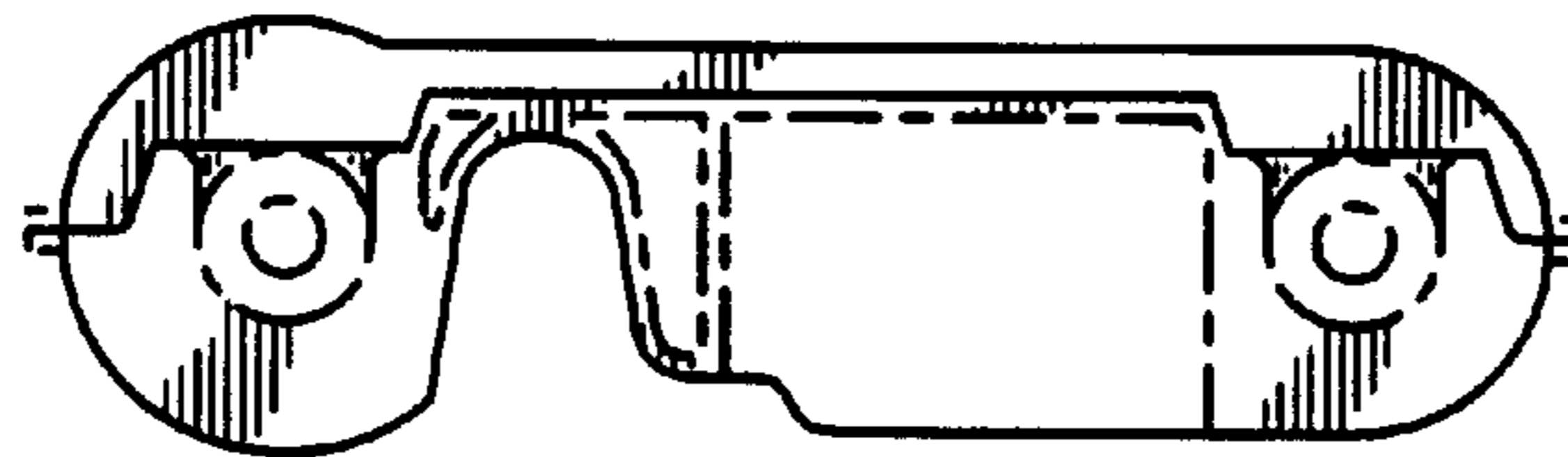


FIG. 6

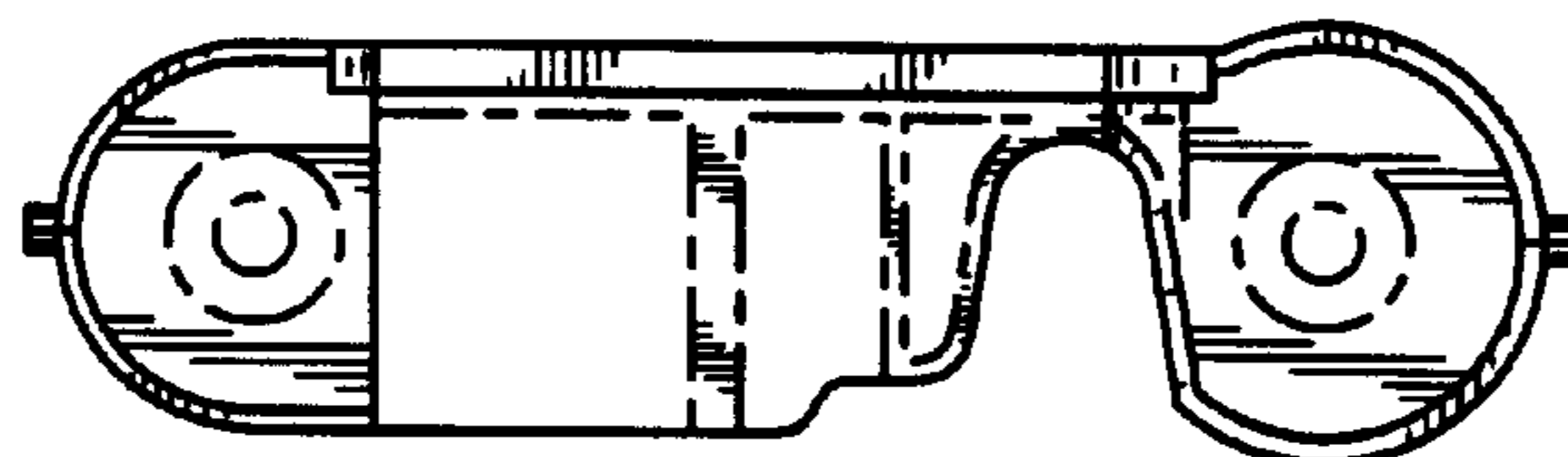


FIG. 7

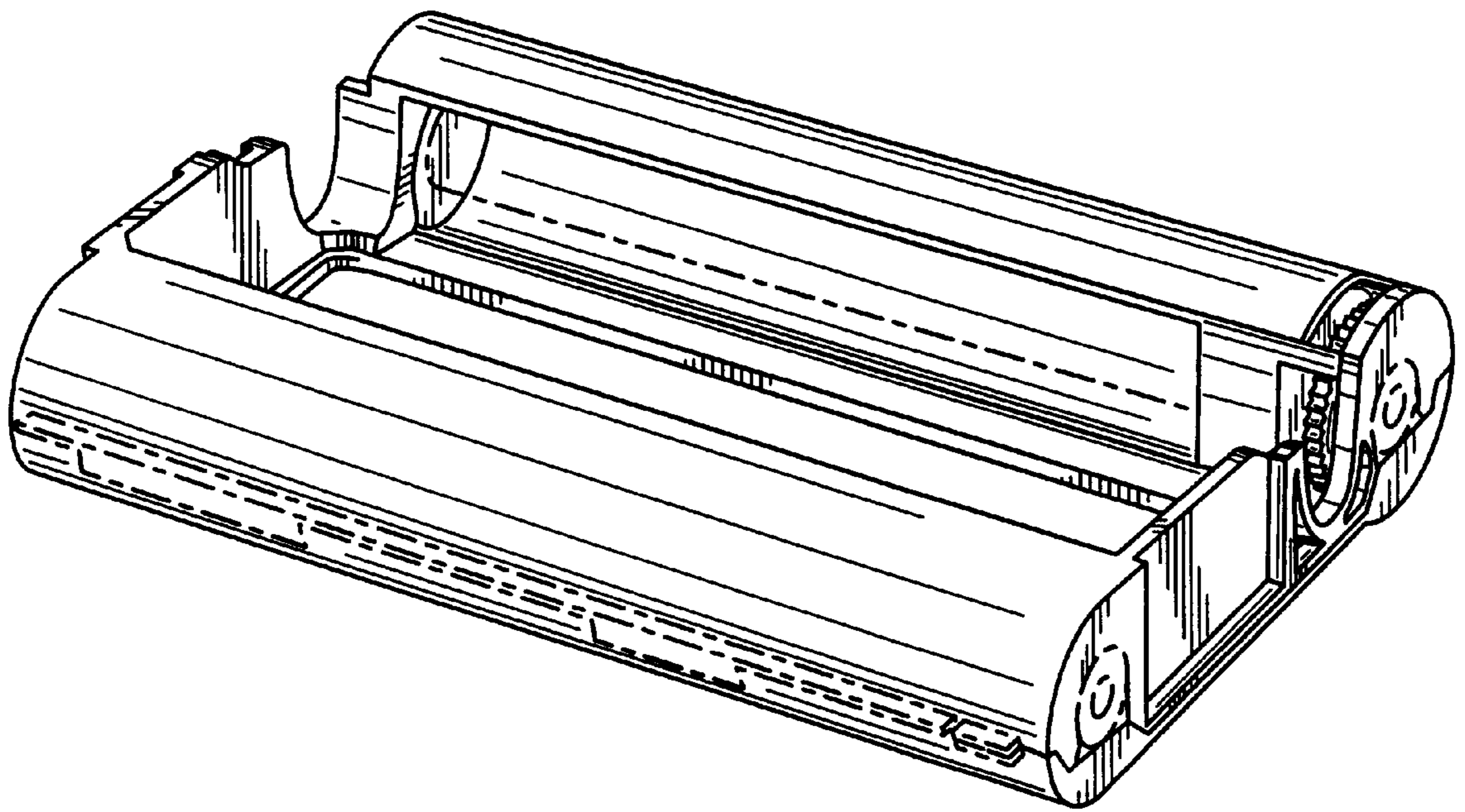


FIG. 8

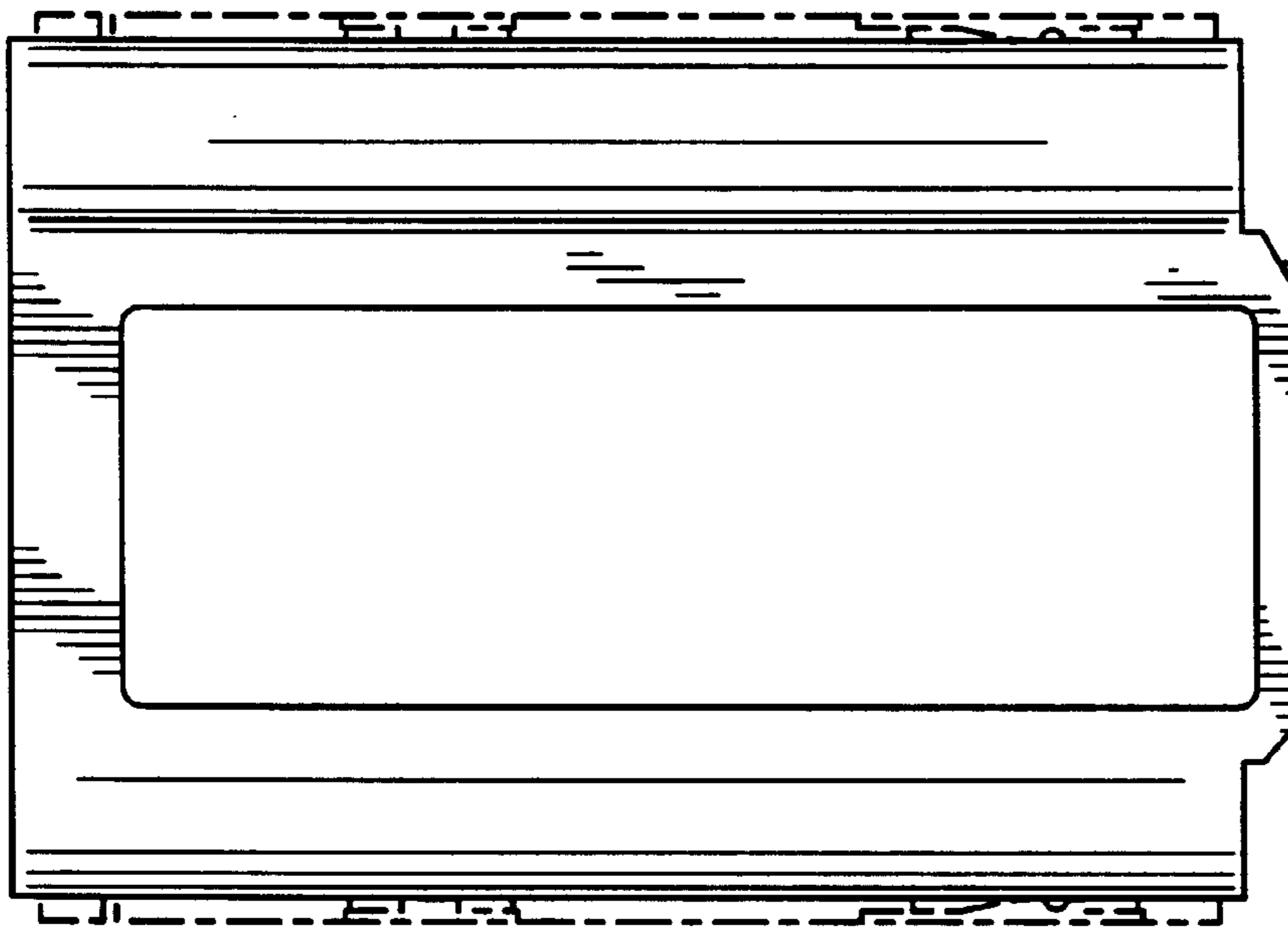


FIG. 9

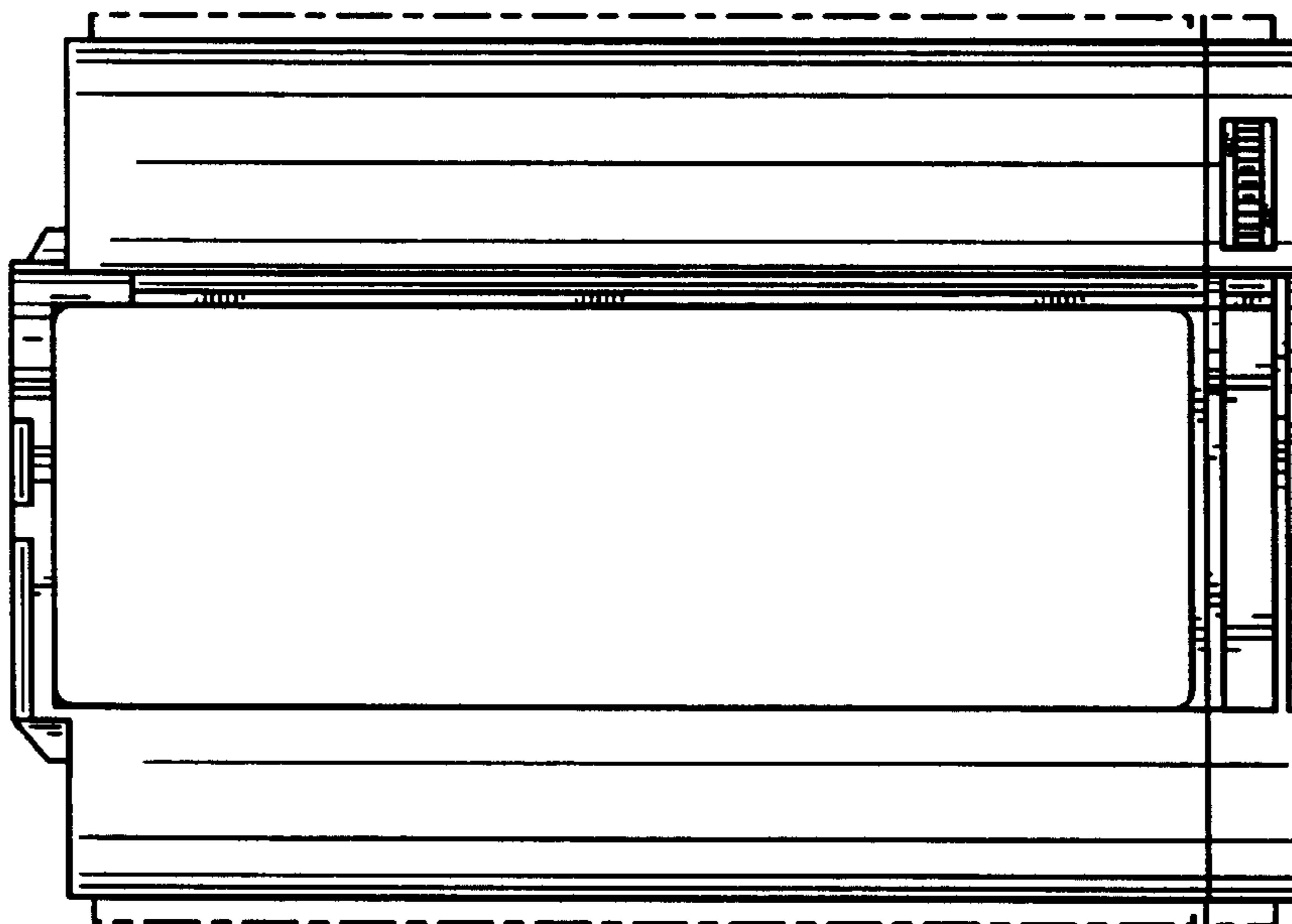


FIG. 10

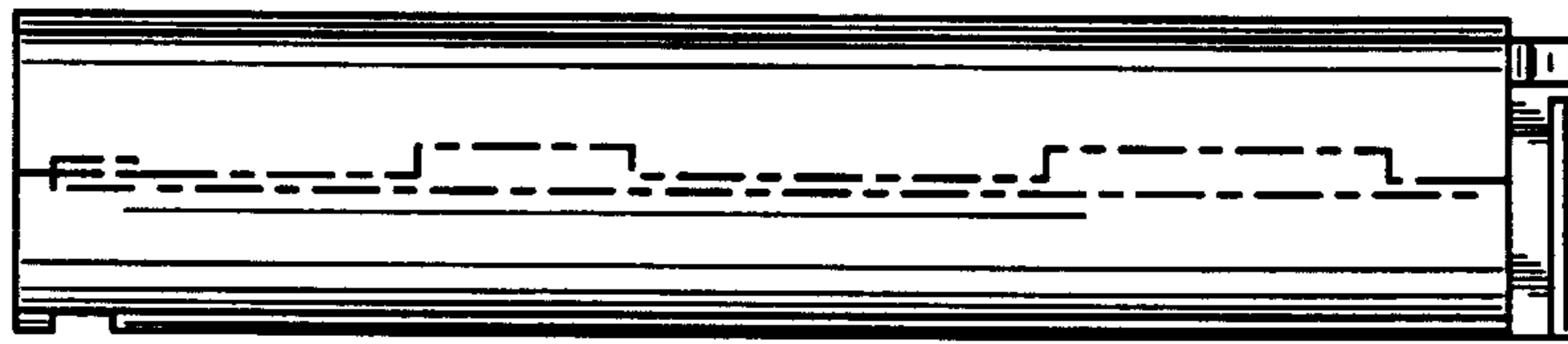


FIG. 11

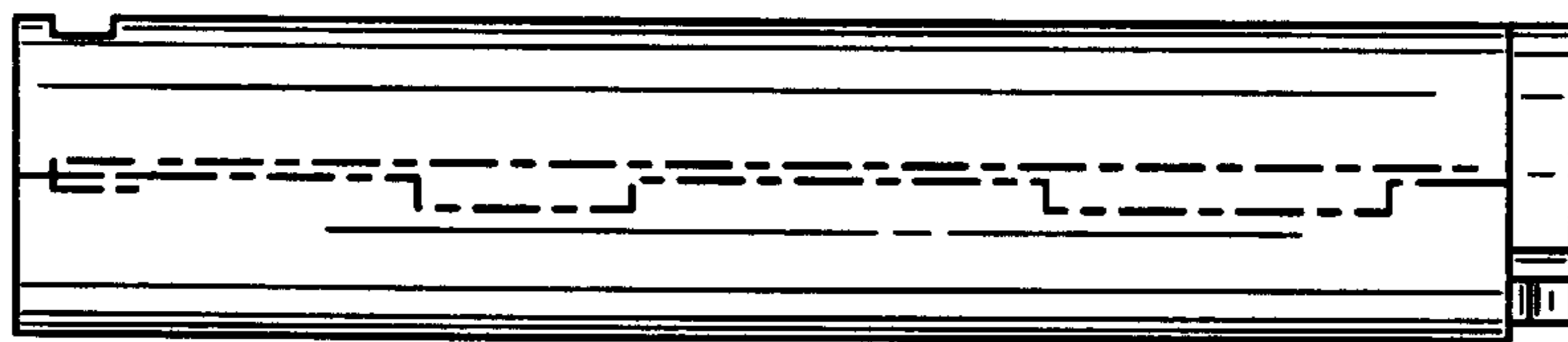


FIG. 12

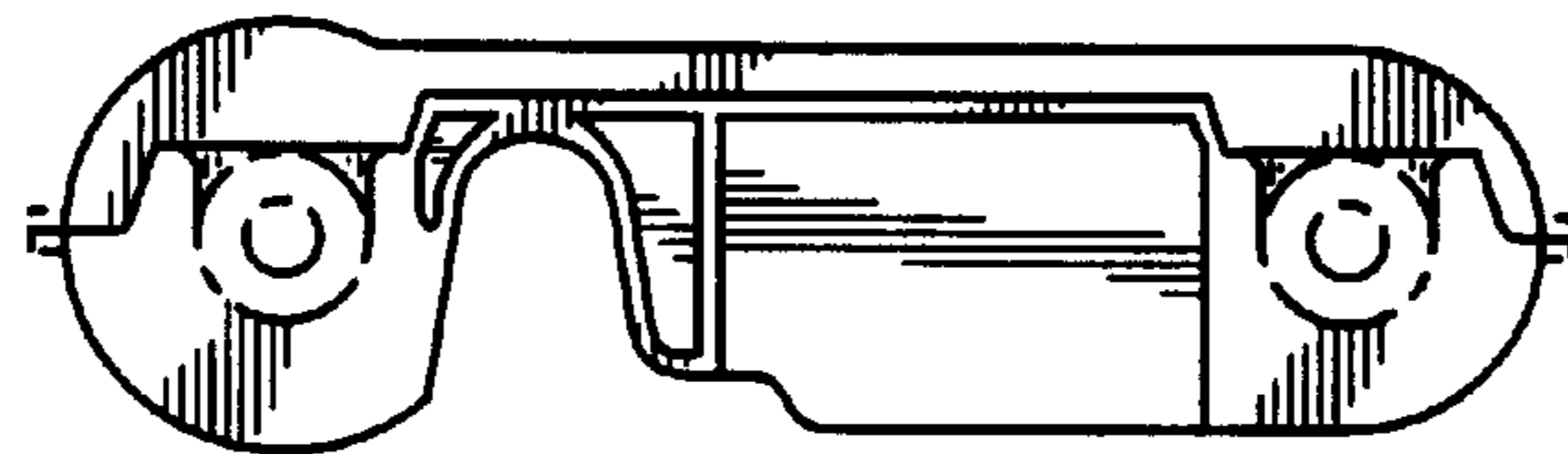


FIG. 13

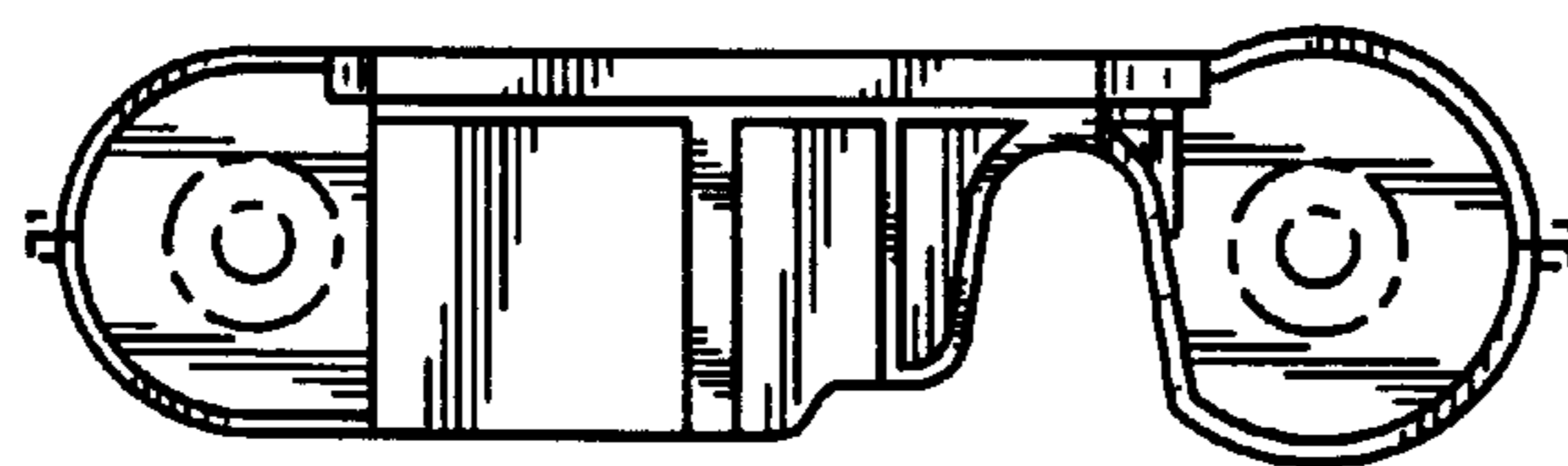


FIG. 14

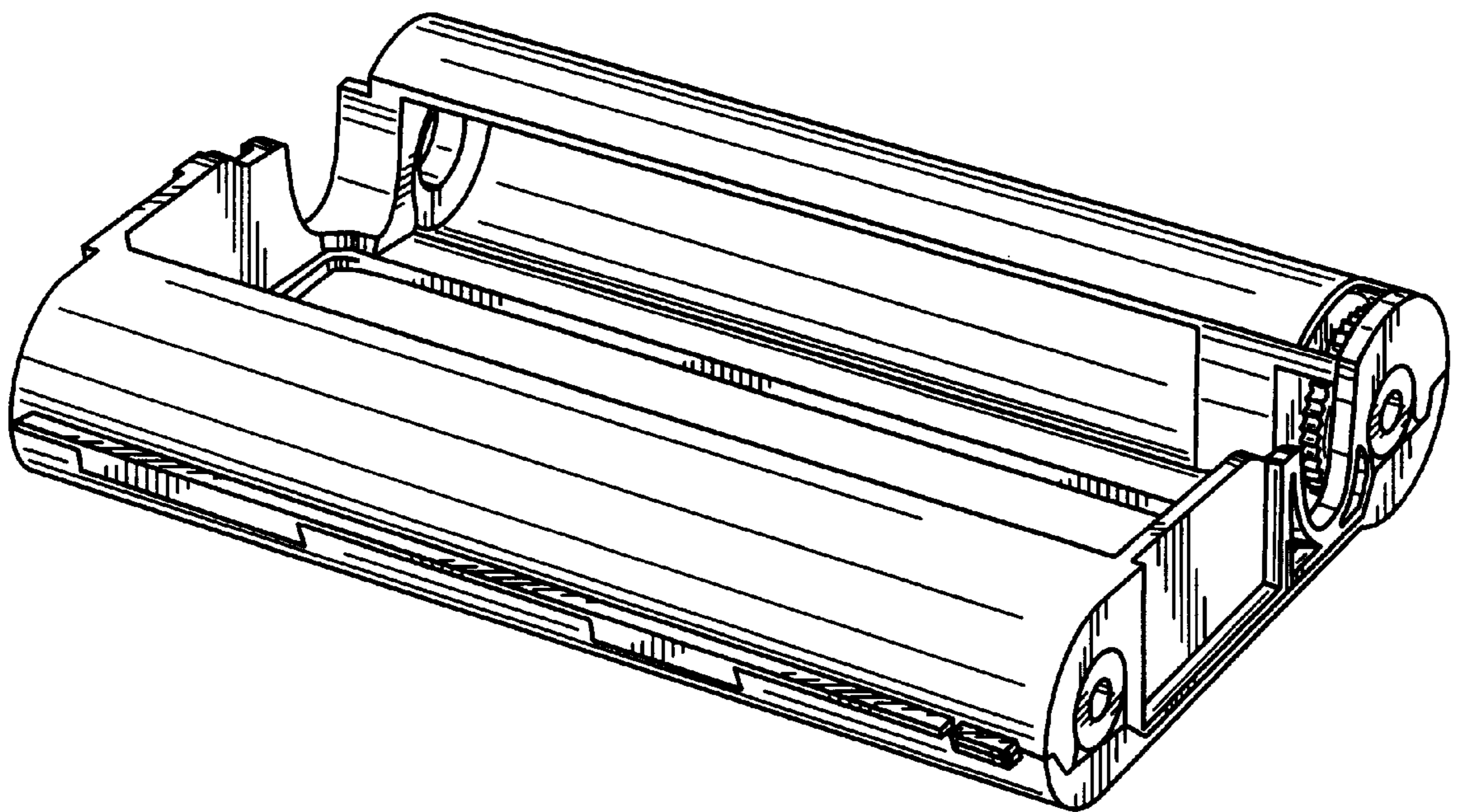


FIG. 15

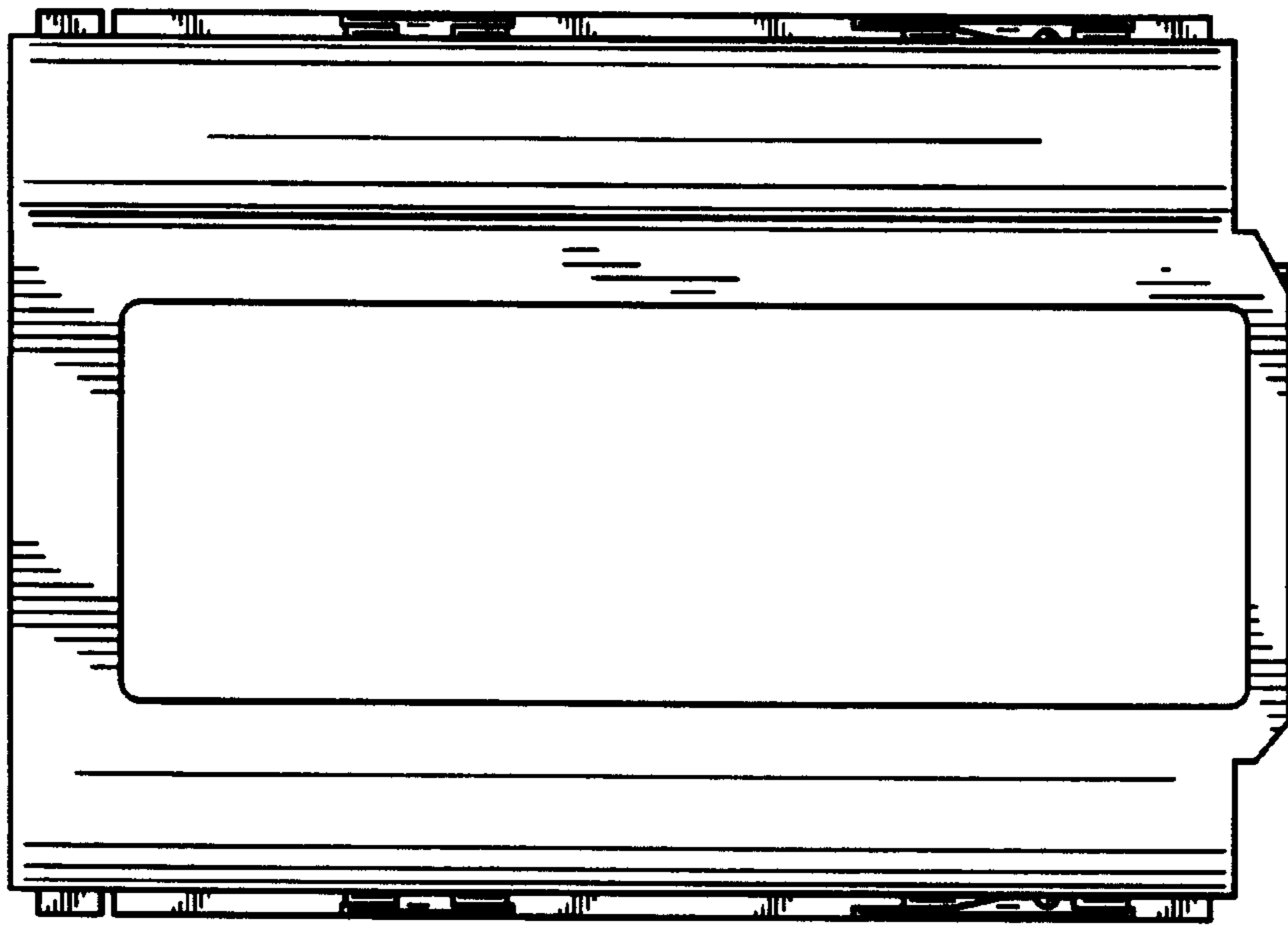


FIG. 16

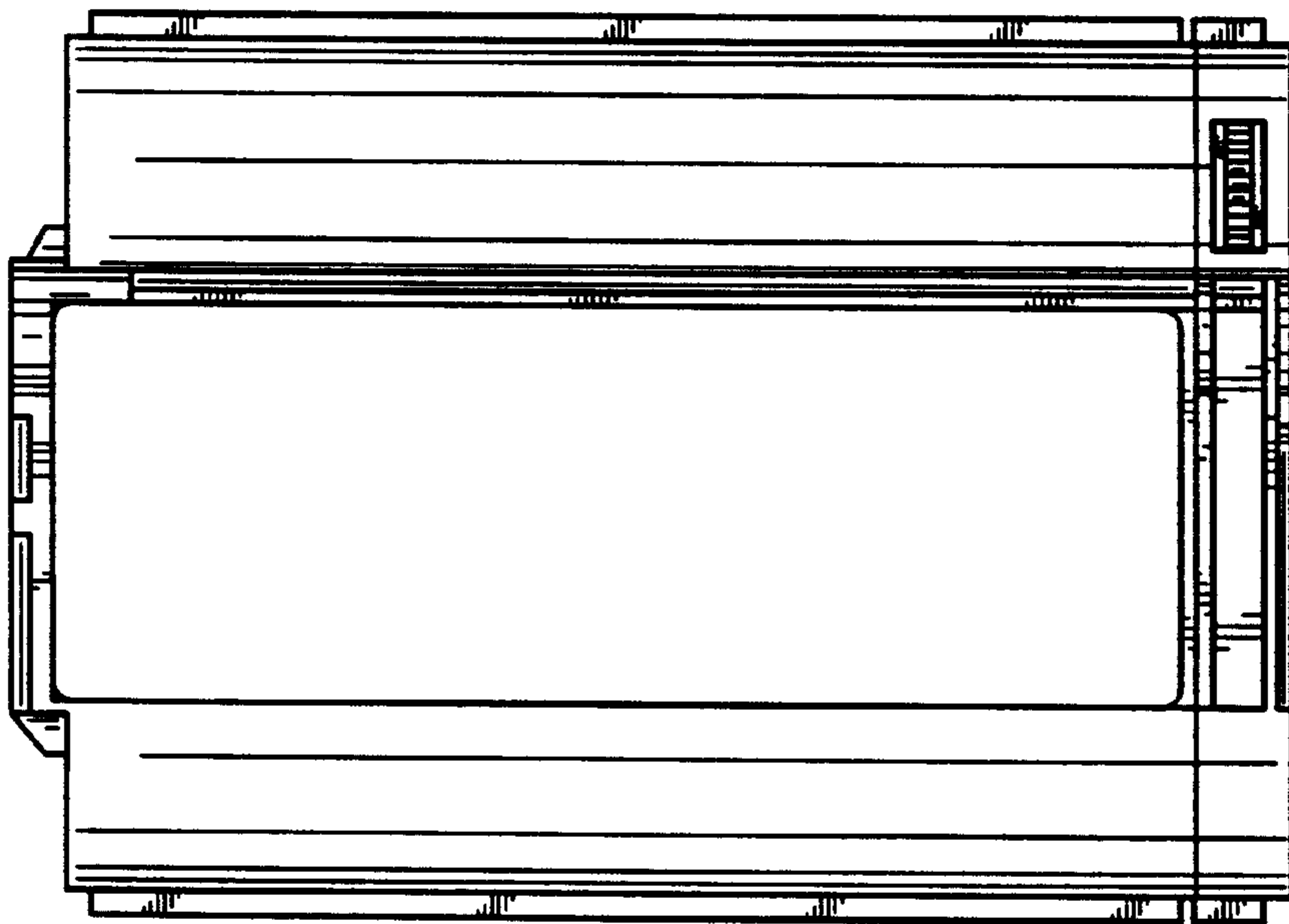


FIG. 17

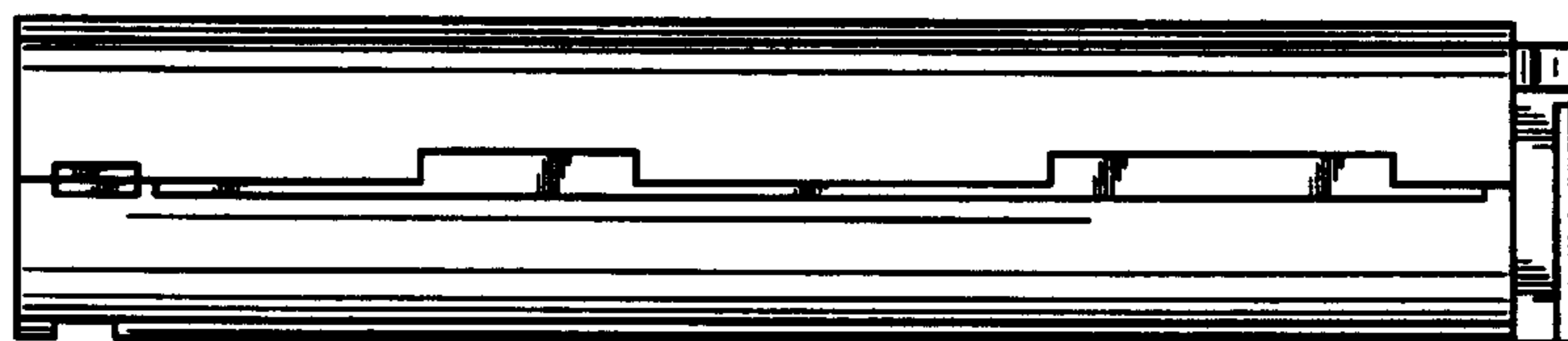


FIG. 18

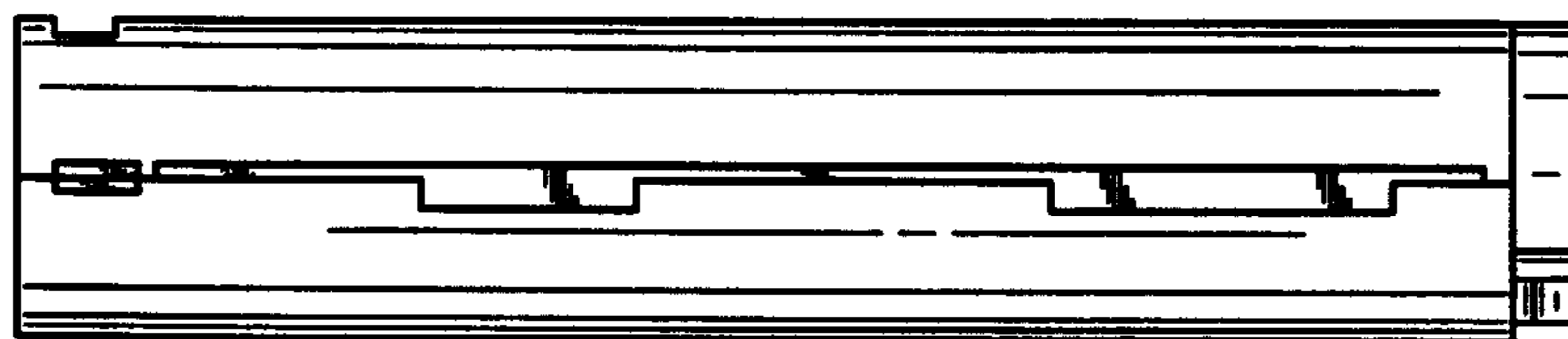


FIG. 19

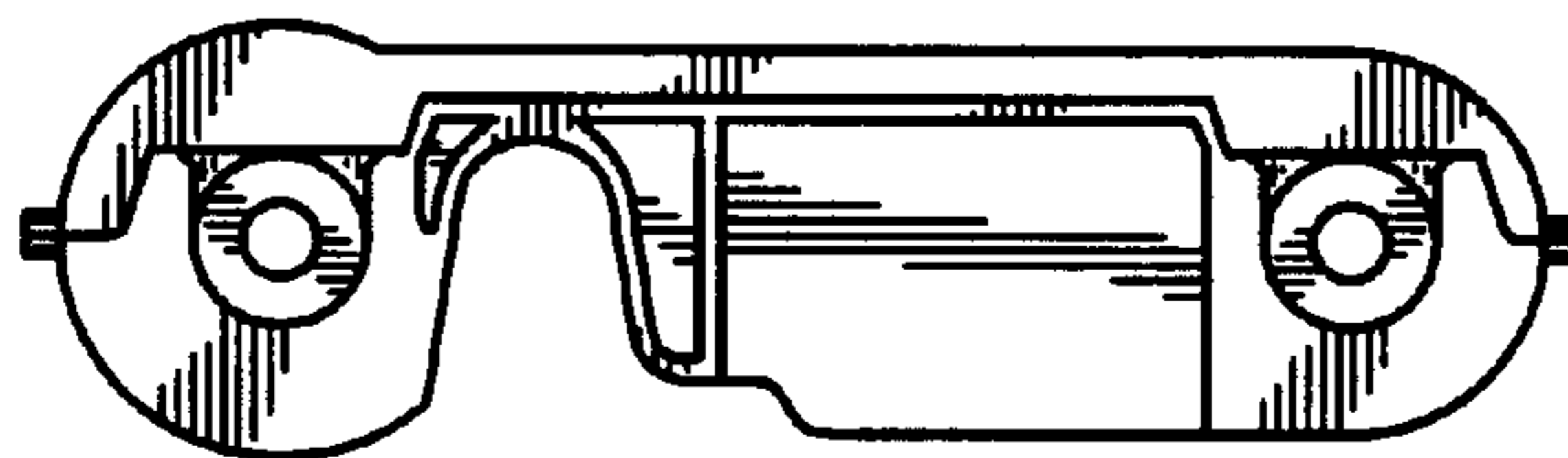


FIG. 20

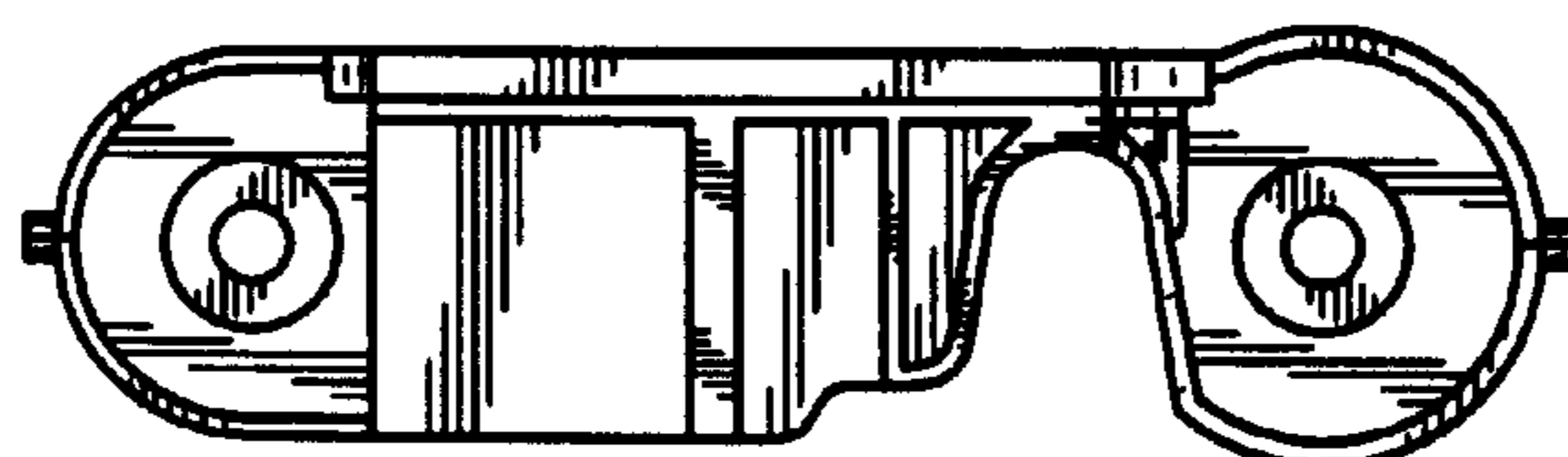


FIG. 21