



US00D418859S

United States Patent [19]
Herbold

[11] **Patent Number: Des. 418,859**
[45] **Date of Patent: ** Jan. 11, 2000**

[54] **GUITAR BODY**

[76] Inventor: **James F. Herbold**, 13043 109th Ave.
NE., Kirkland, Wash. 98033

[**] Term: **14 Years**

[21] Appl. No.: **29/098,833**

[22] Filed: **Jan. 6, 1999**

[51] **LOC (7) Cl. 17-03**

[52] **U.S. Cl. D17/20; D17/14; 84/291**

[58] **Field of Search D17/14, 18, 19,**
D17/20; 84/267, 291, 293

[56] **References Cited**

U.S. PATENT DOCUMENTS

D. 181,867	1/1958	McCarty	D17/19
D. 293,119	12/1987	Powers	D17/20
D. 293,331	12/1987	Erlewine et al.	D17/14
4,753,147	6/1988	Berardi	54/267

Primary Examiner—Adir Aronovich
Attorney, Agent, or Firm—Dean A. Craine

[57] **CLAIM**

The ornamental design for a guitar body, as shown and described.

DESCRIPTION

FIG. 1 is a top perspective view of a guitar body, the broken line showing of the guitar head and neck assembly is for illustrative purposes only and forms no part of the claimed design.

FIG. 2 is a top perspective view of the guitar body.

FIG. 3 is a bottom perspective view of the guitar body.

FIG. 4 is a top plan view of the invention.

FIG. 5 is a bottom plan view of the invention.

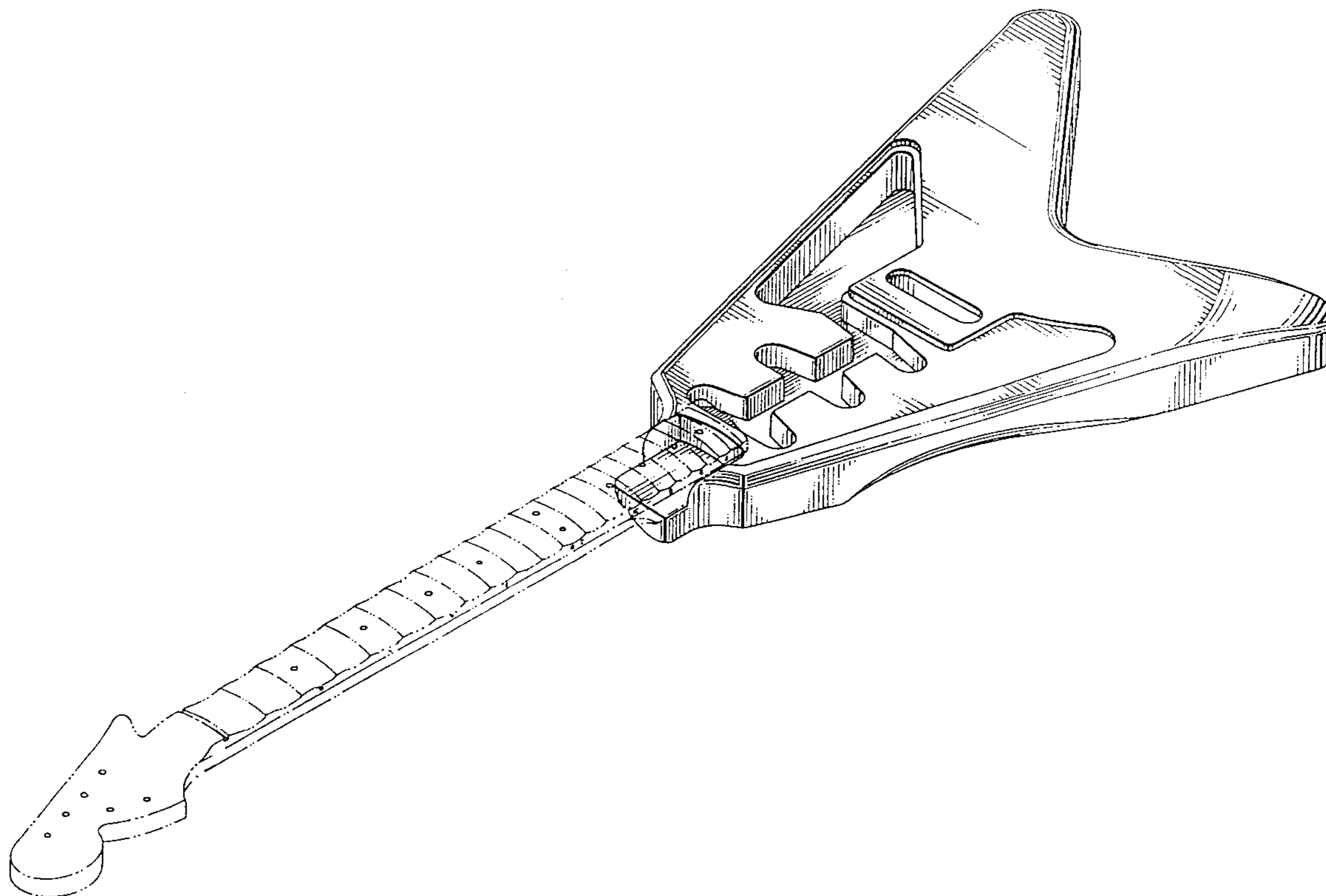
FIG. 6 is a right side elevational view of the invention.

FIG. 7 is a left side elevational view of the invention.

FIG. 8 is a front elevational view of the invention; and,

FIG. 9 is a rear elevational view of the invention.

1 Claim, 4 Drawing Sheets



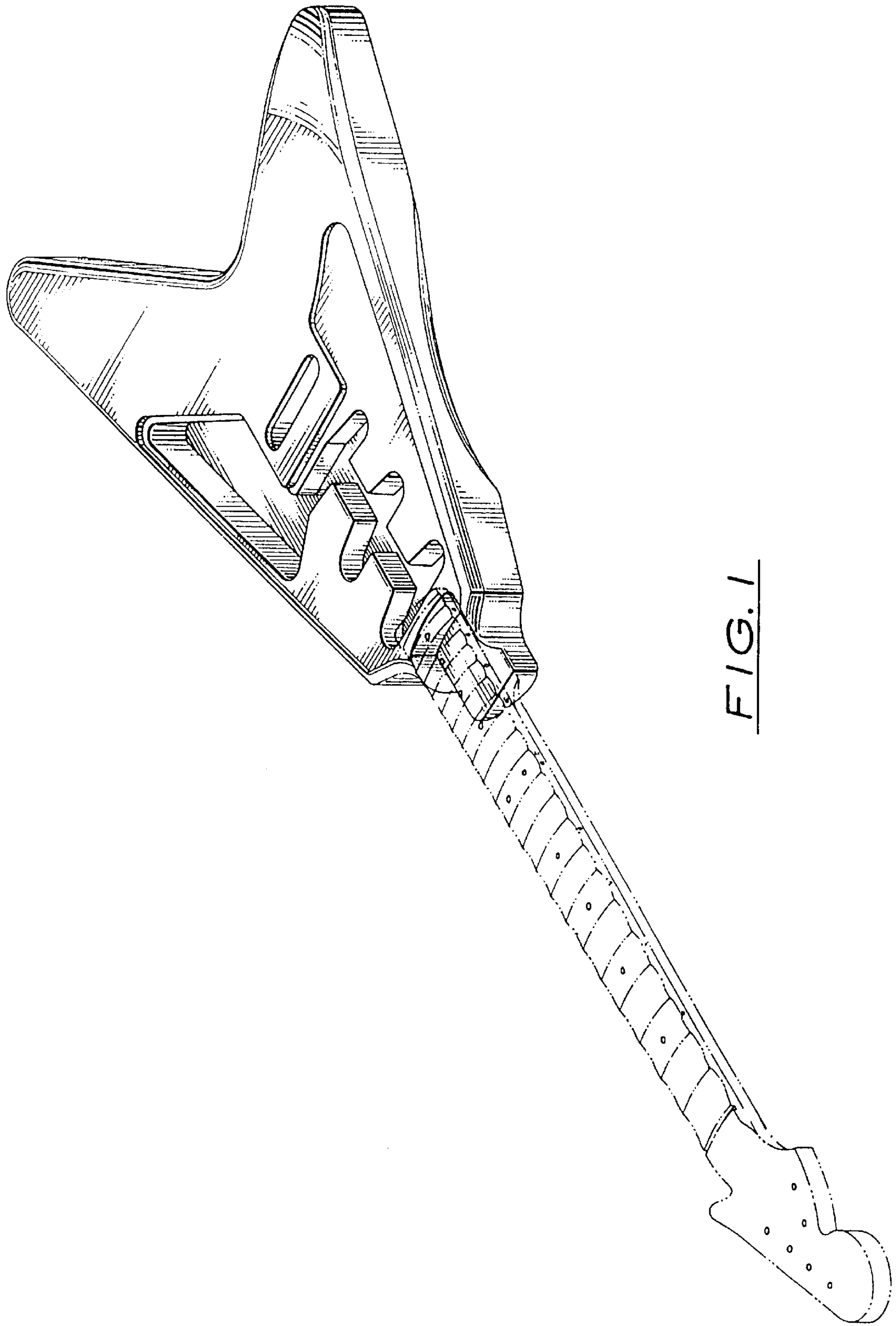
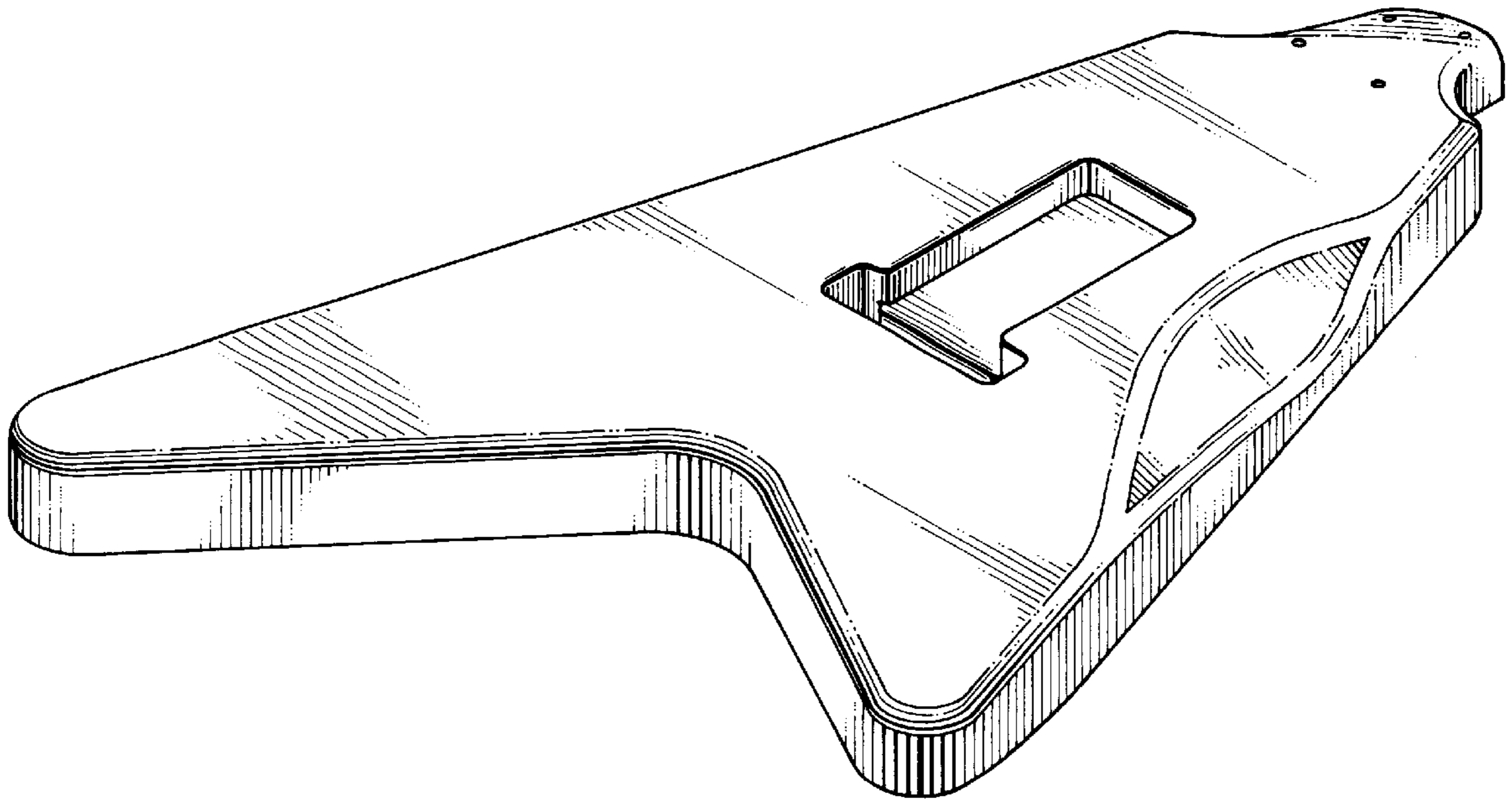
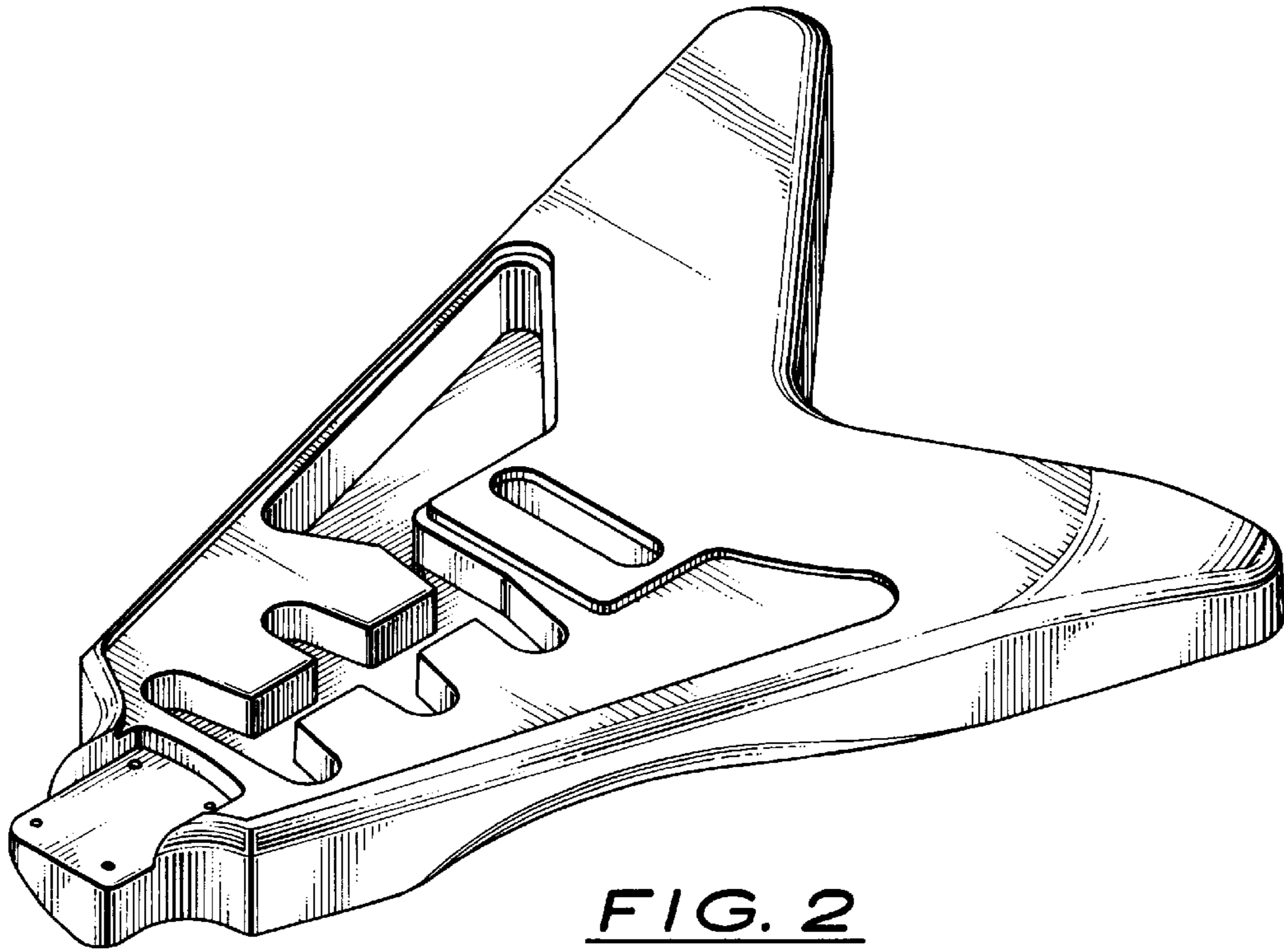


FIG. 1



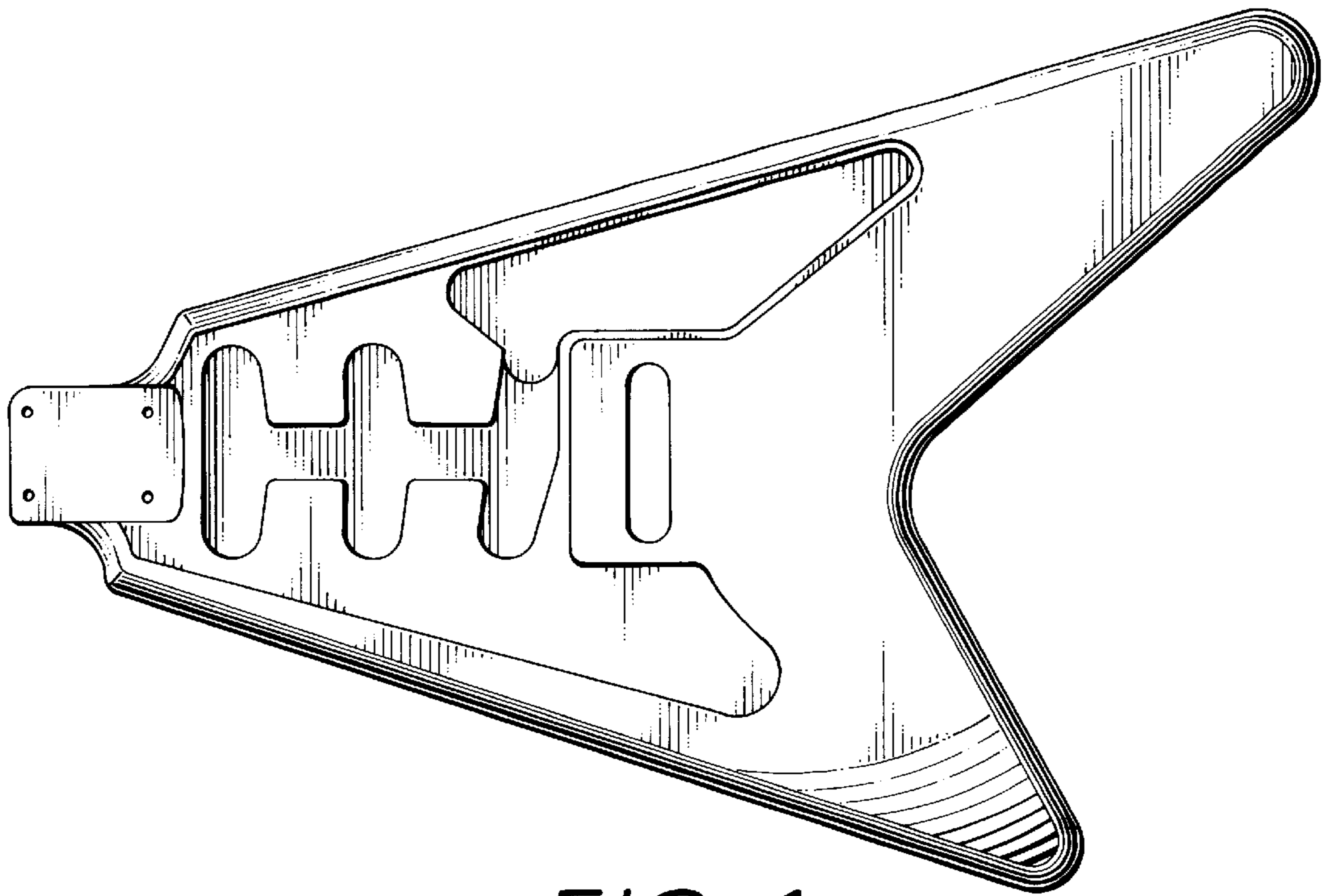


FIG. 4

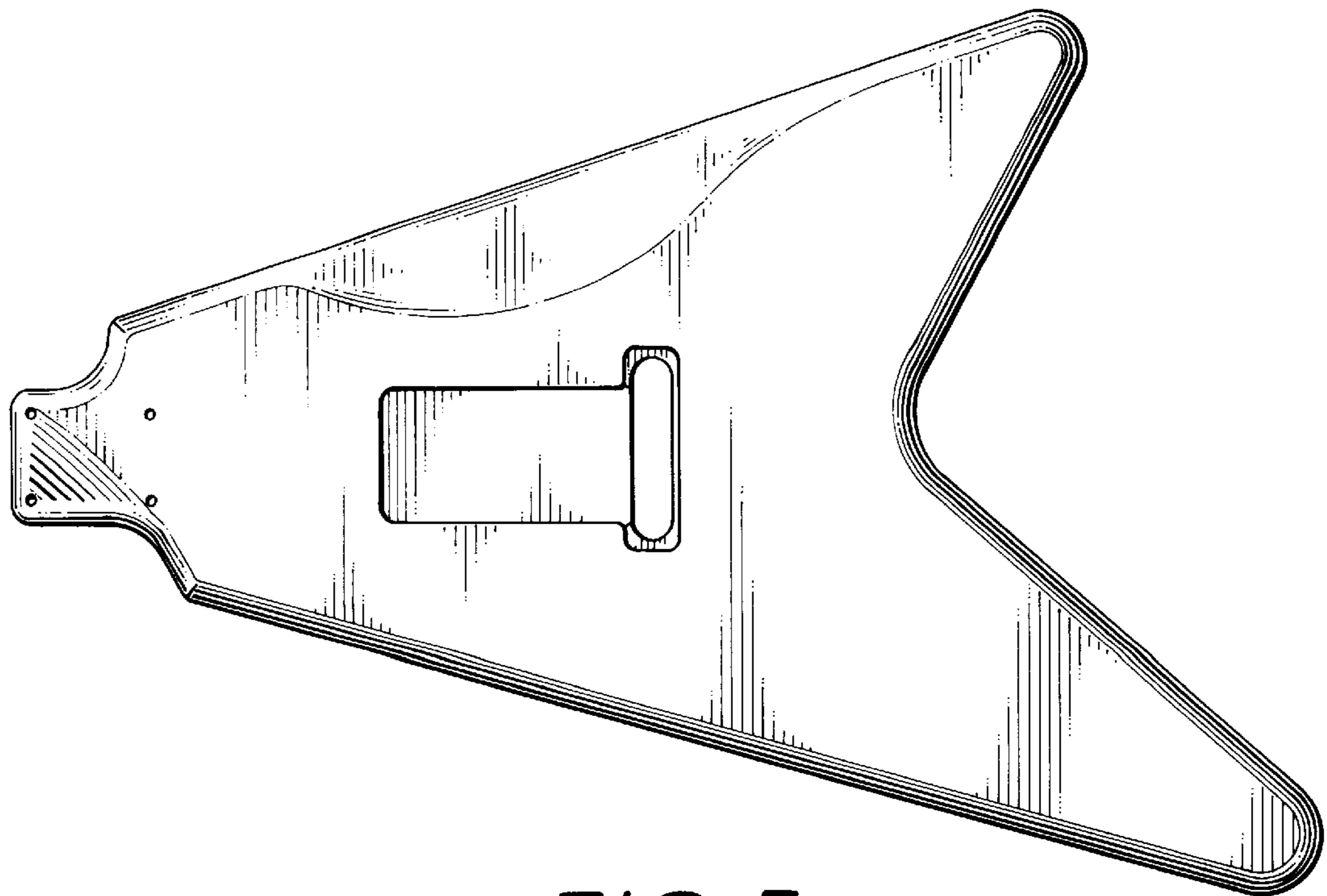


FIG. 5

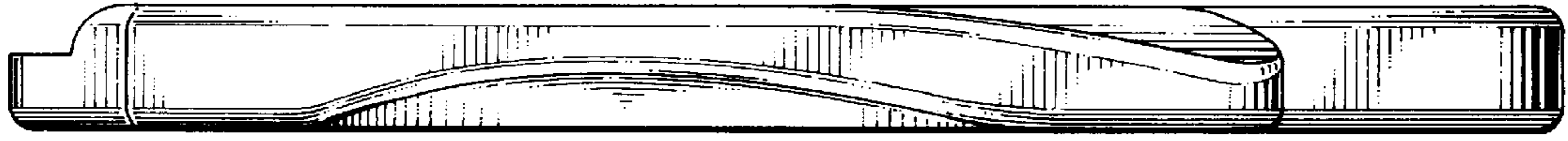


FIG. 6

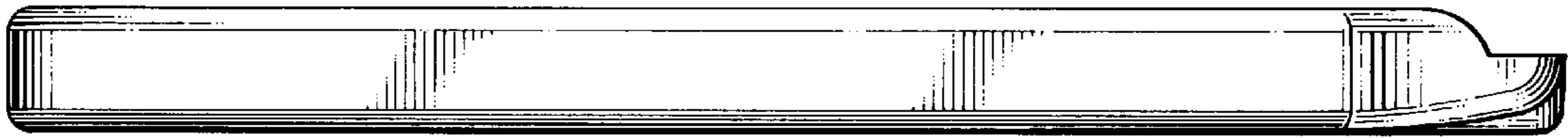


FIG. 7



FIG. 8



FIG. 9