



US00D418853S

United States Patent [19] Kubota

[11] **Patent Number: Des. 418,853**

[45] **Date of Patent: ** Jan. 11, 2000**

[54] **VIDEO CAMERA**

[75] Inventor: **Yuki Kubota**, Tokyo, Japan

[73] Assignee: **Sony Corporation**, Tokyo, Japan

[**] Term: **14 Years**

[21] Appl. No.: **29/094,299**

[22] Filed: **Sep. 29, 1998**

[30] **Foreign Application Priority Data**

Apr. 3, 1998 [JP] Japan 10-9601

[51] **LOC (7) Cl.** **16-01**

[52] **U.S. Cl.** **D16/203; D16/202**

[58] **Field of Search** **D16/200-205,
D16/208; 348/373-376; 396/25-29, 427;
358/906**

[56] **References Cited**

U.S. PATENT DOCUMENTS

D. 310,231	8/1990	Imada et al.	D16/202
D. 378,095	2/1997	Hasegawa	D16/203
D. 388,804	1/1998	Swayze et al.	D16/203
D. 392,300	3/1998	Chow et al.	D16/203
4,028,730	6/1977	Miller	348/373

FOREIGN PATENT DOCUMENTS

8-102880 4/1996 Japan H04N 5/225

OTHER PUBLICATIONS

Evans Catalog, p. 345y, (Canon Photura Camera 1992/93. Catalog "87", Sony, pp. 22, (Nov. 1997).

Primary Examiner—Adir Aronovich
Attorney, Agent, or Firm—Foley & Lardner

[57] **CLAIM**

The ornamental design for a video camera, as shown and described.

DESCRIPTION

FIG. 1 is a perspective view of a first embodiment of a video camera showing my new design;
FIG. 2 is a top plan view thereof;
FIG. 3 is a left side elevational view thereof;
FIG. 4 is a front elevational view thereof;
FIG. 5 is a bottom plan view thereof;
FIG. 6 is a right side elevational view thereof; and,
FIG. 7 is a rear elevational view thereof.
FIG. 8 is a perspective view of a second embodiment of a video camera showing my new design;
FIG. 9 is a top plan view thereof;
FIG. 10 is a left side elevational view thereof;
FIG. 11 is a front elevational view thereof;
FIG. 12 is a bottom plan view thereof;
FIG. 13 is a right side elevational view thereof; and,
FIG. 14 is a rear elevational view thereof.

1 Claim, 6 Drawing Sheets

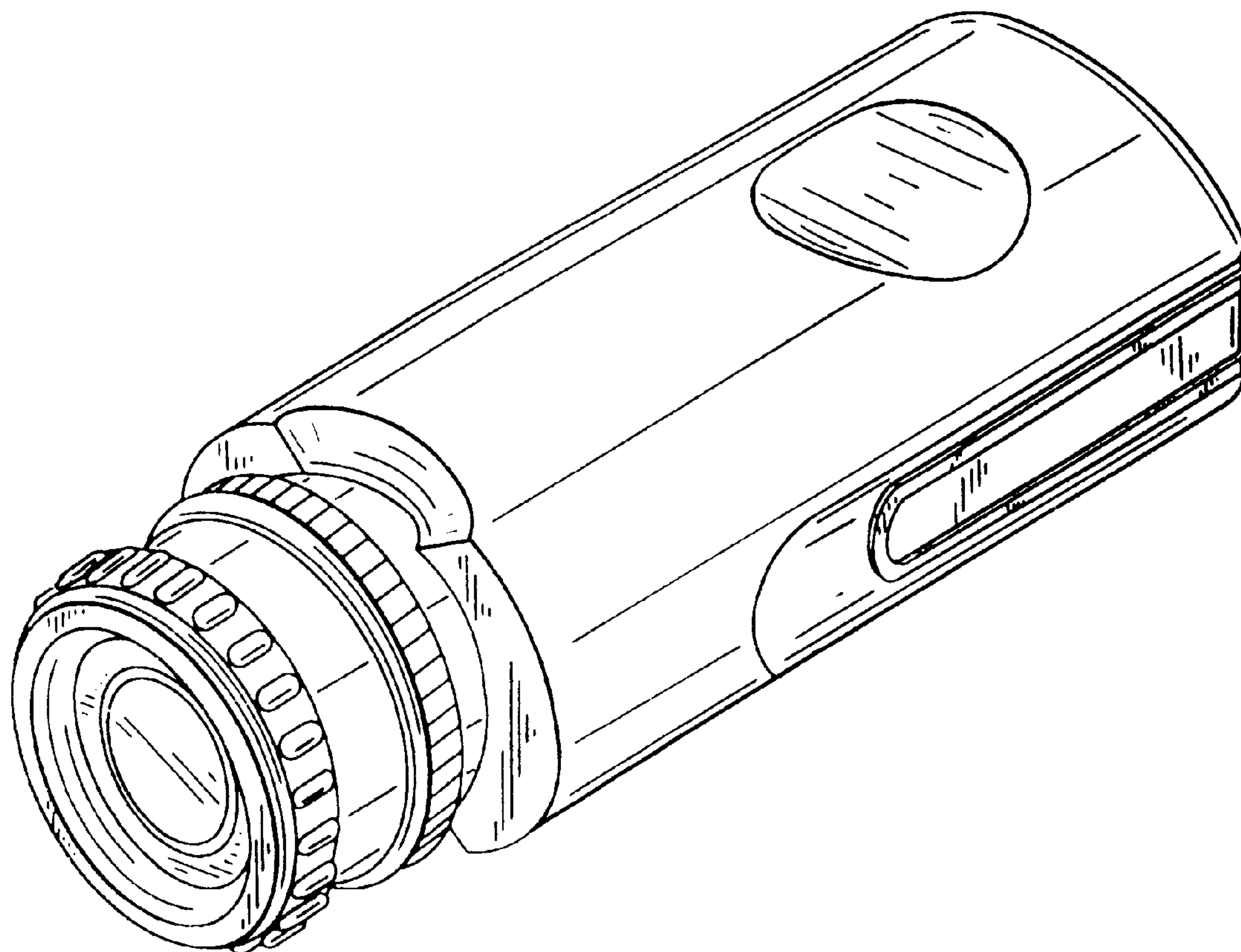


FIG. 1

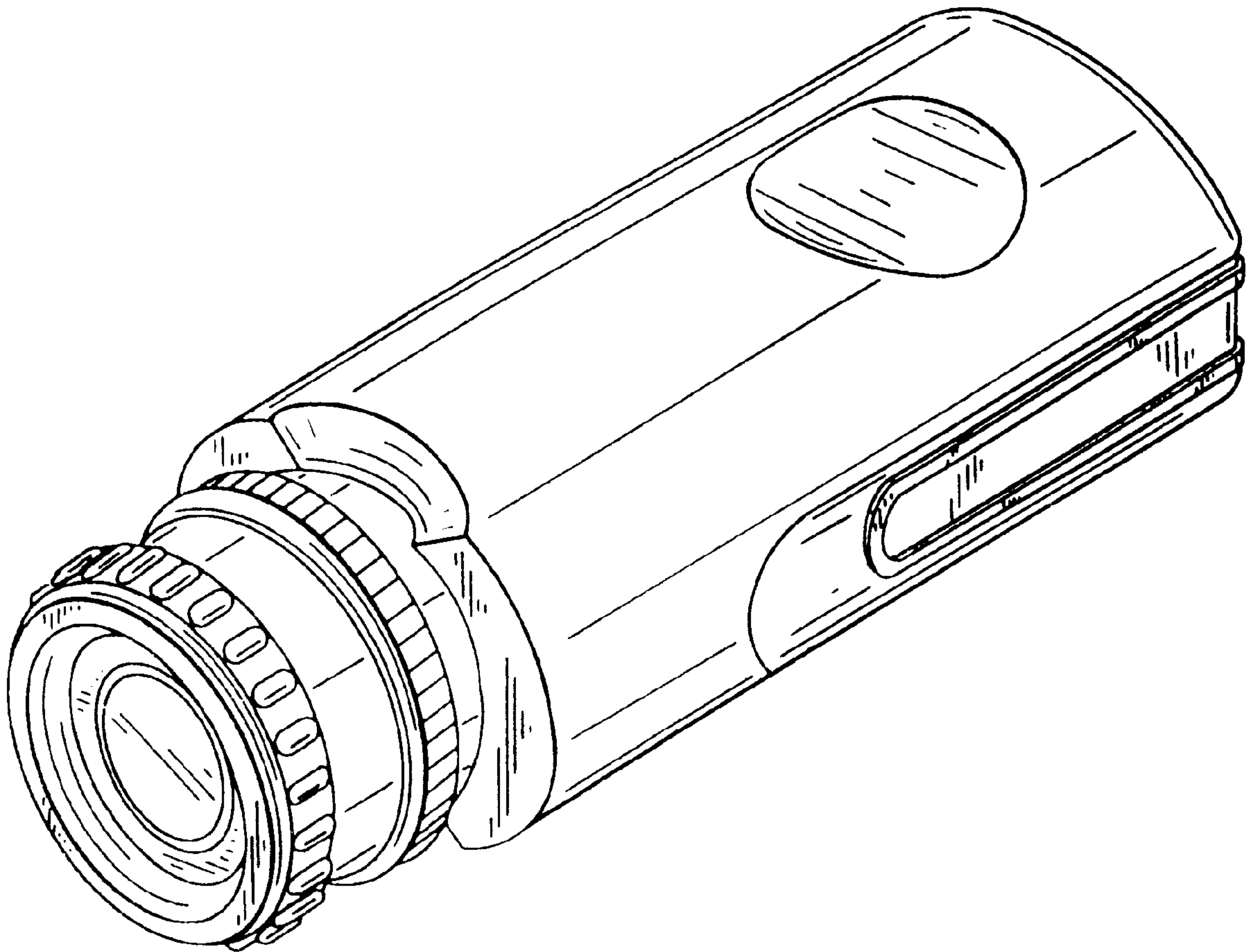


FIG. 2

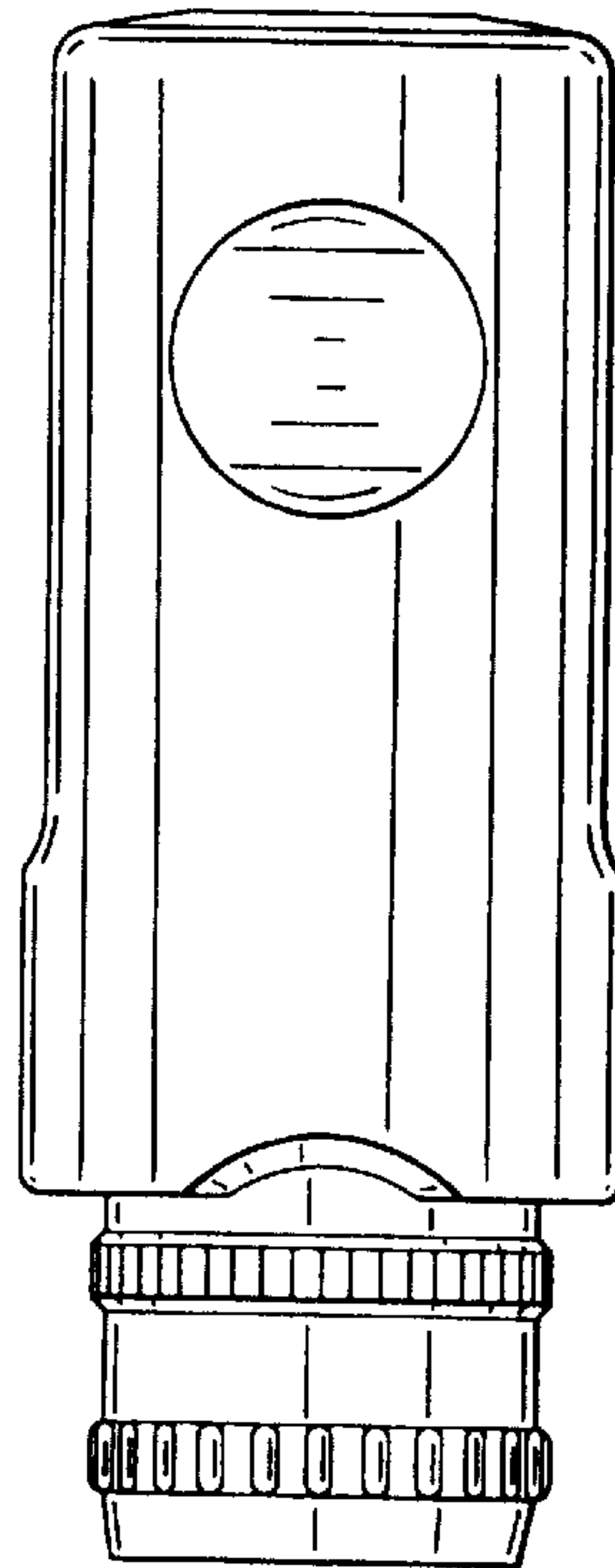


FIG. 5

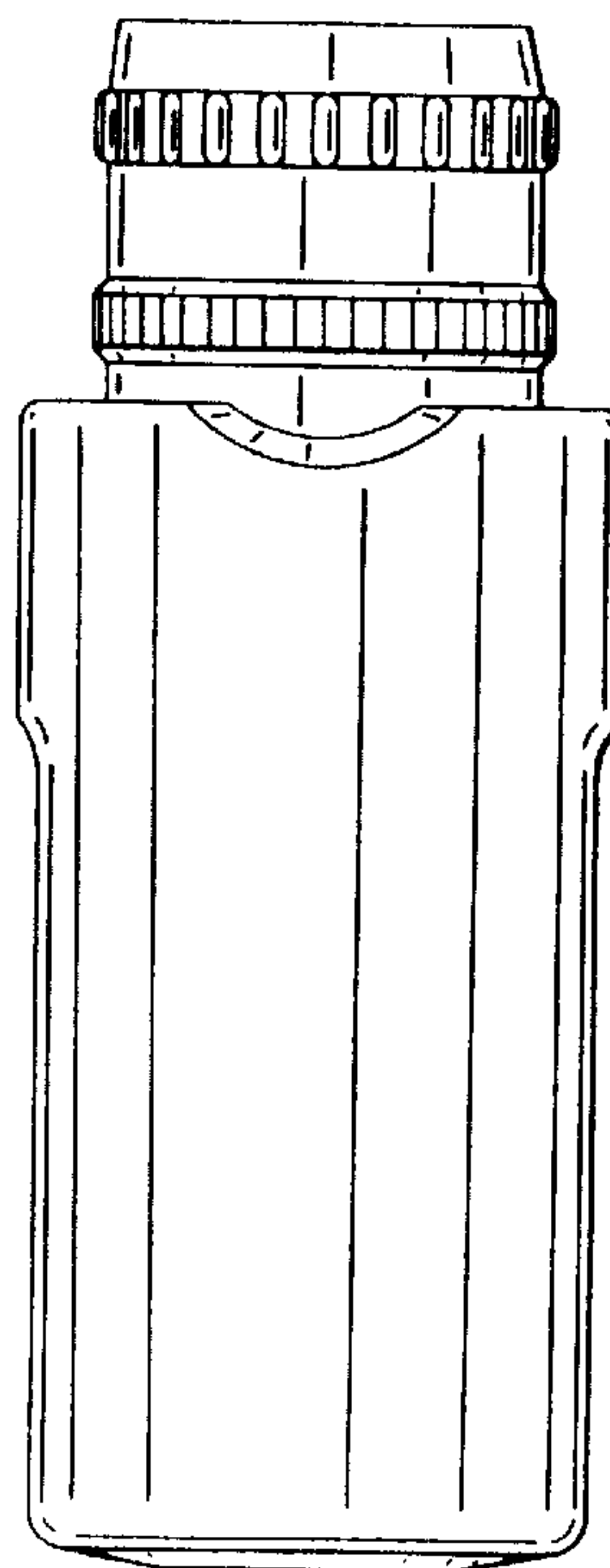


FIG. 3

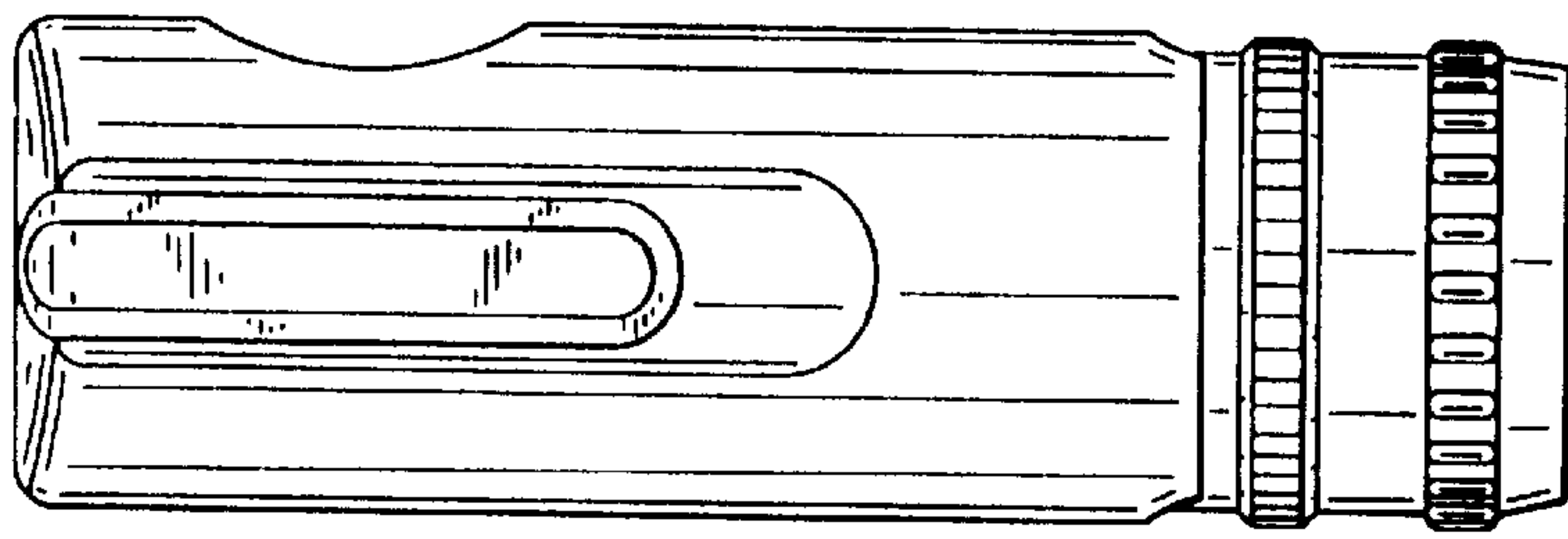


FIG. 4

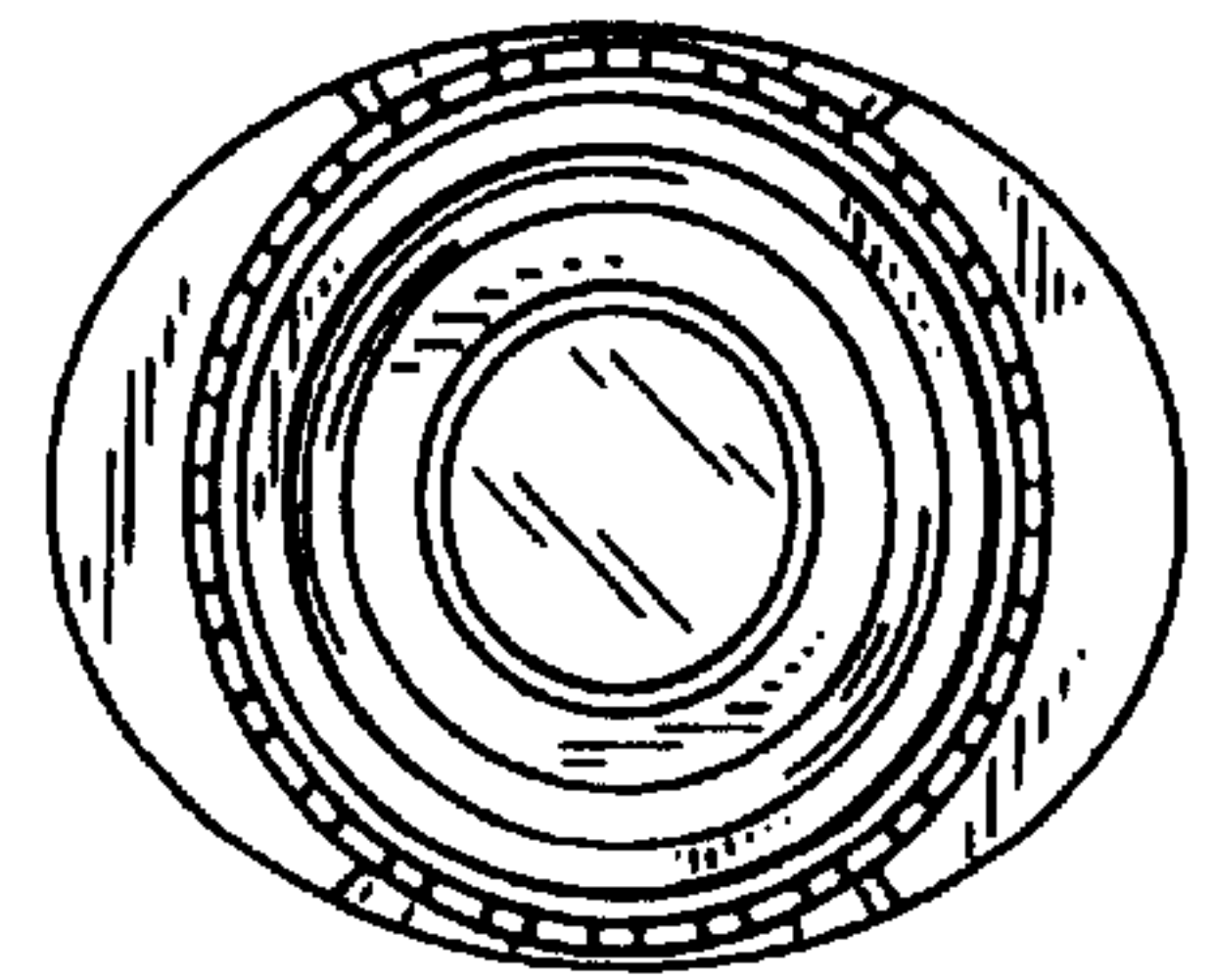


FIG. 6

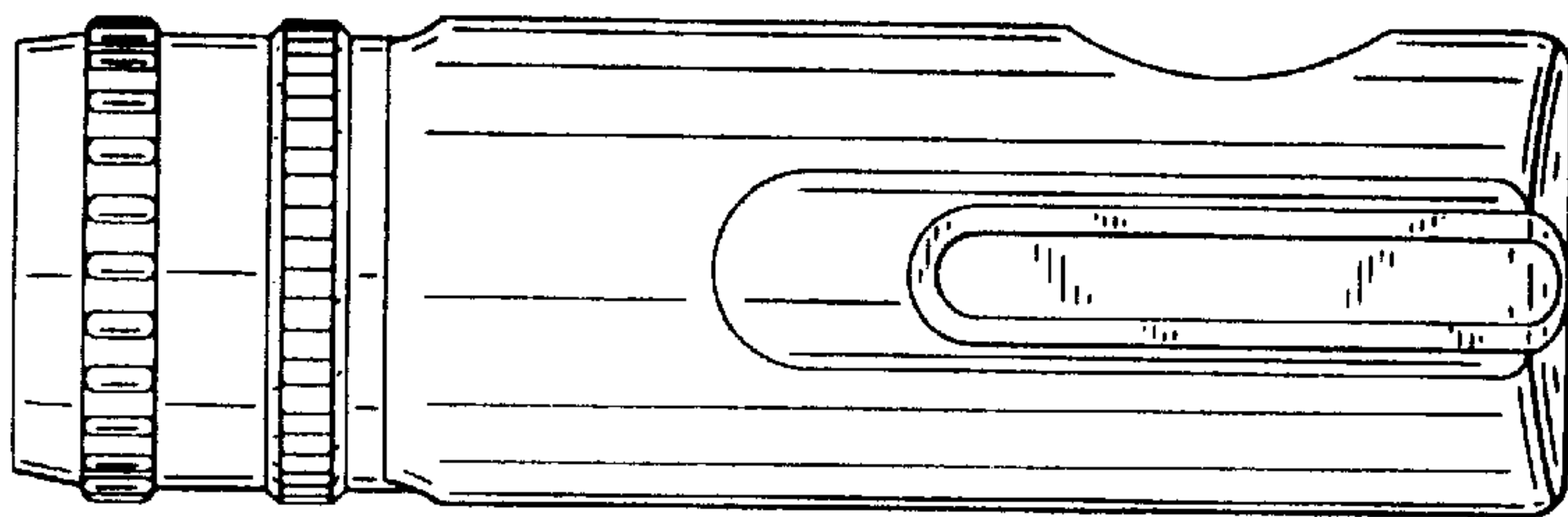


FIG. 7

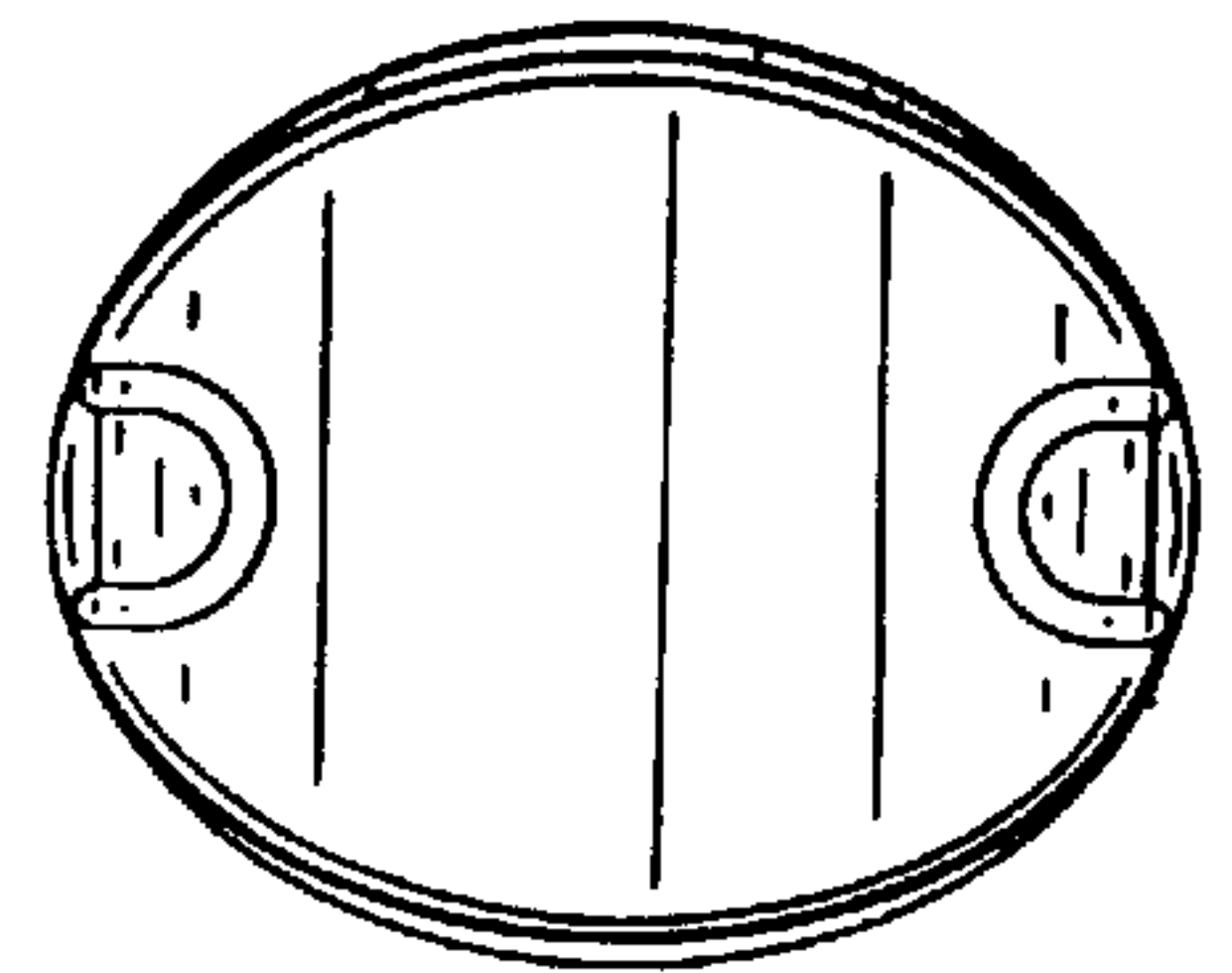


FIG.8

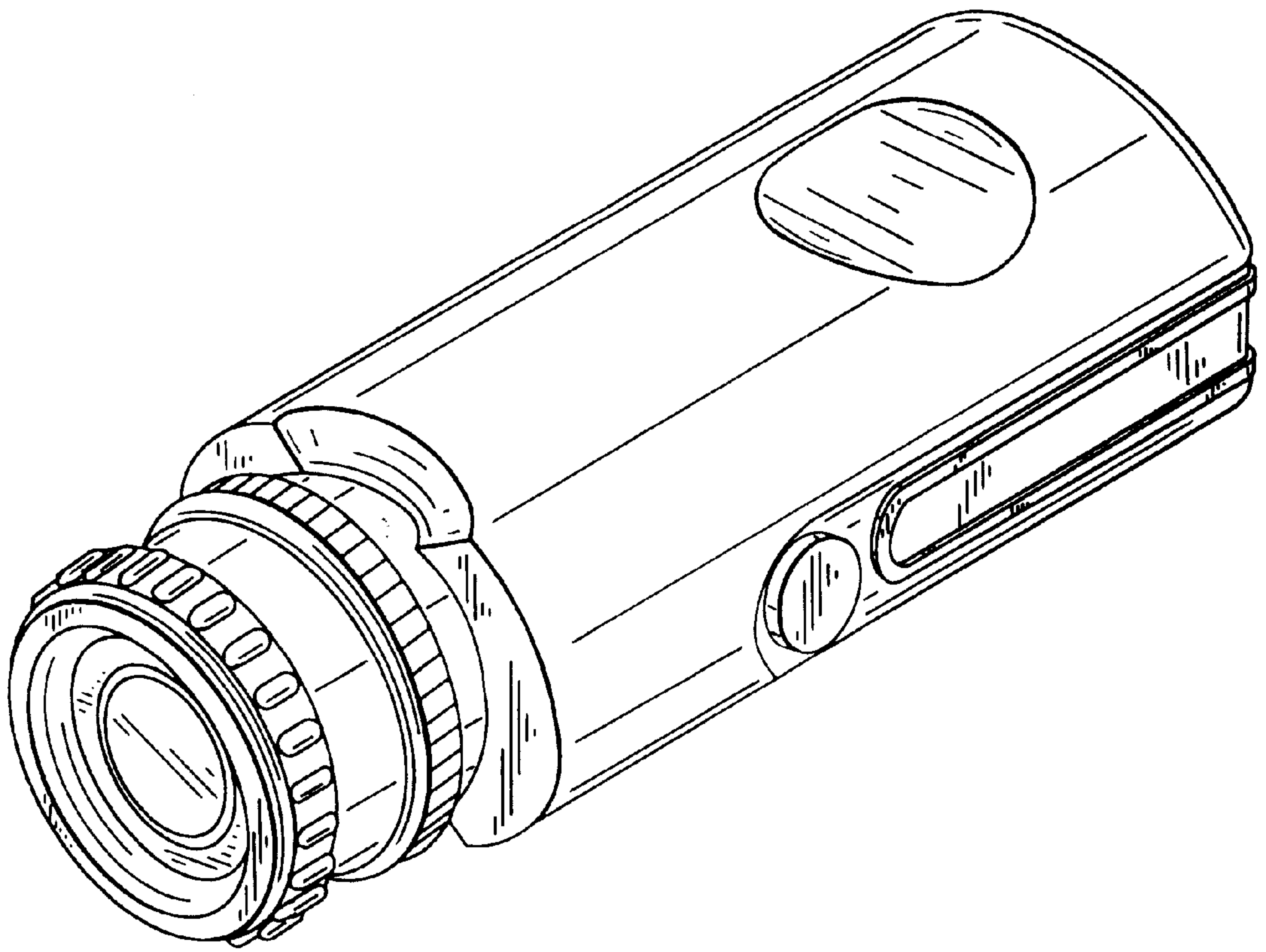


FIG. 9

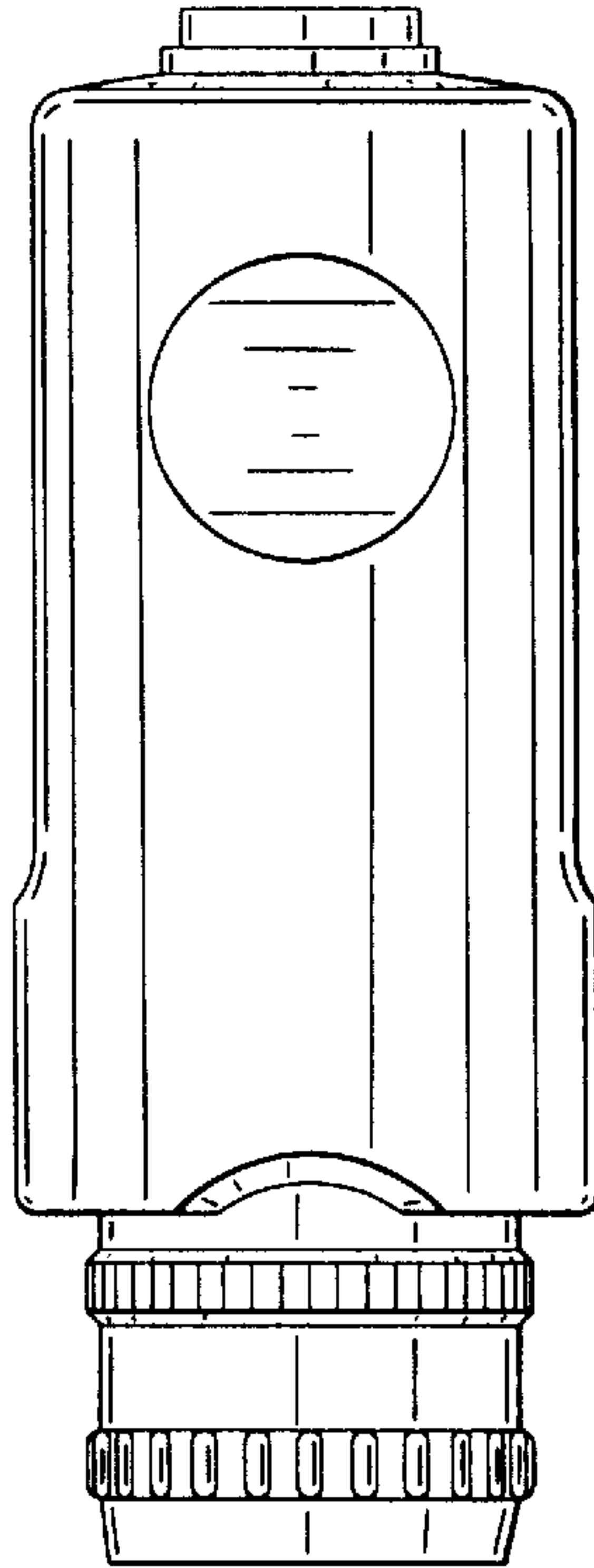


FIG. 12

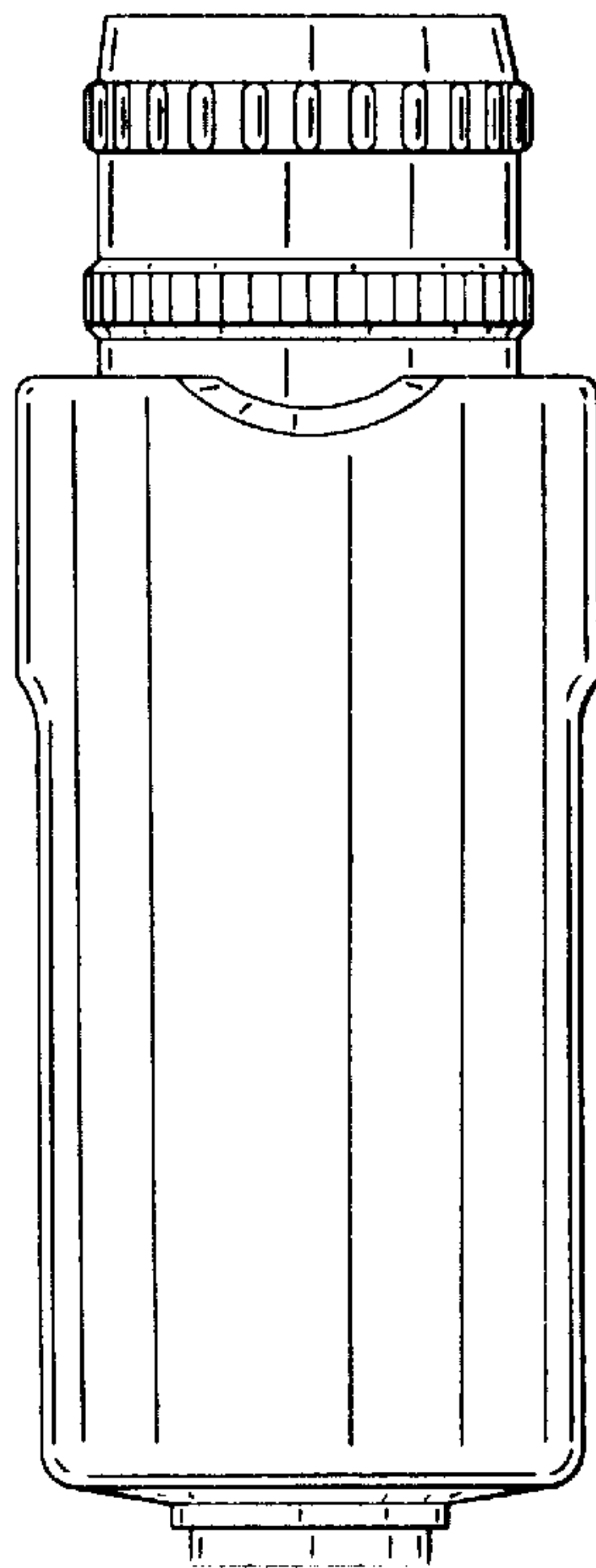


FIG. 10

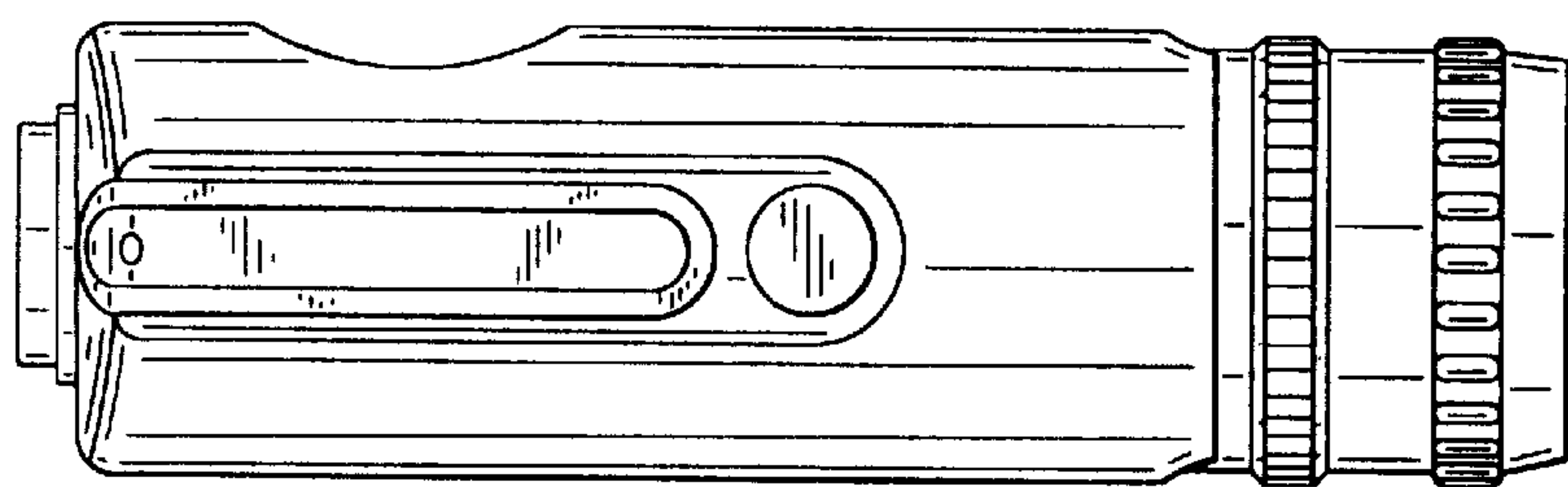


FIG. 11

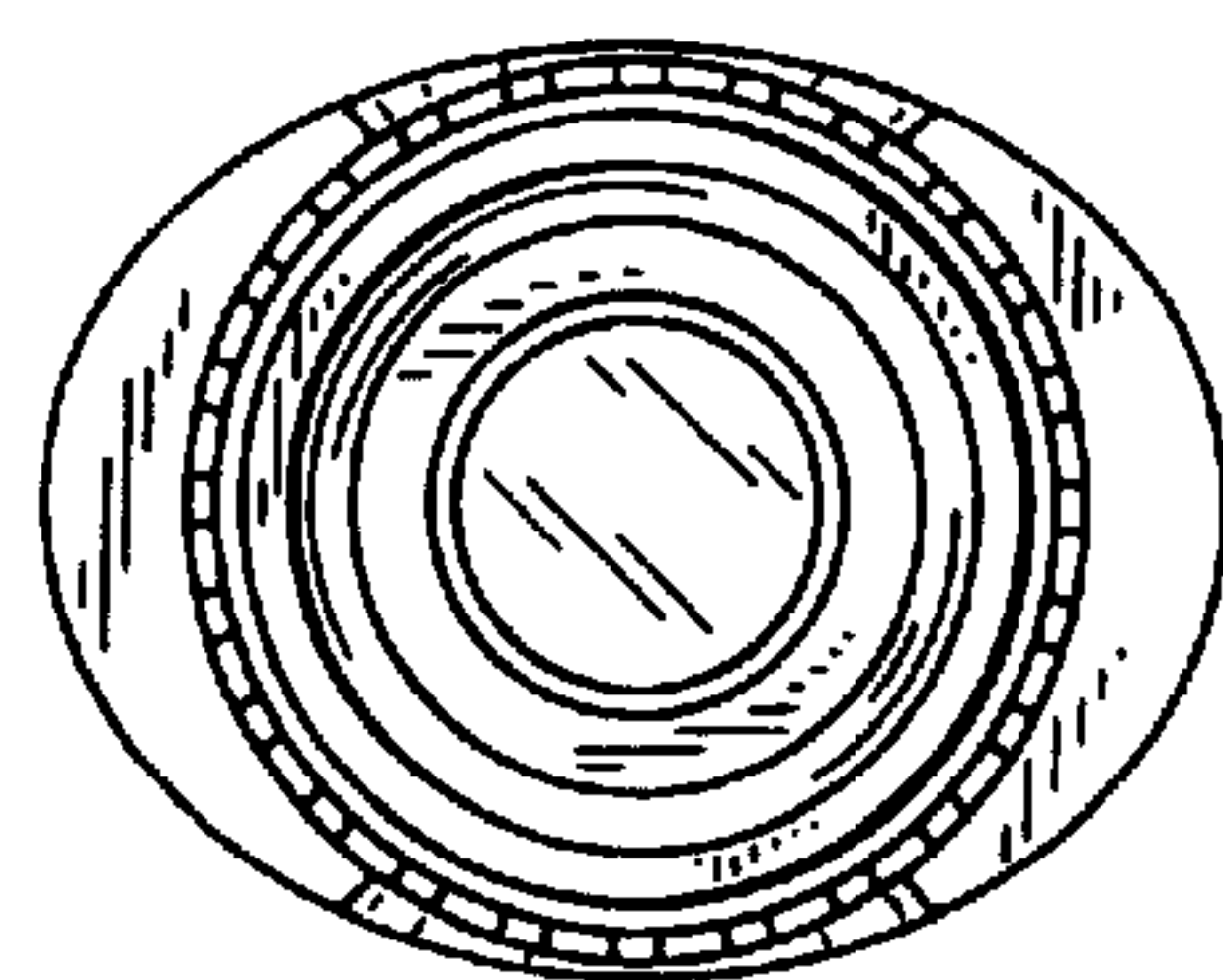


FIG. 13

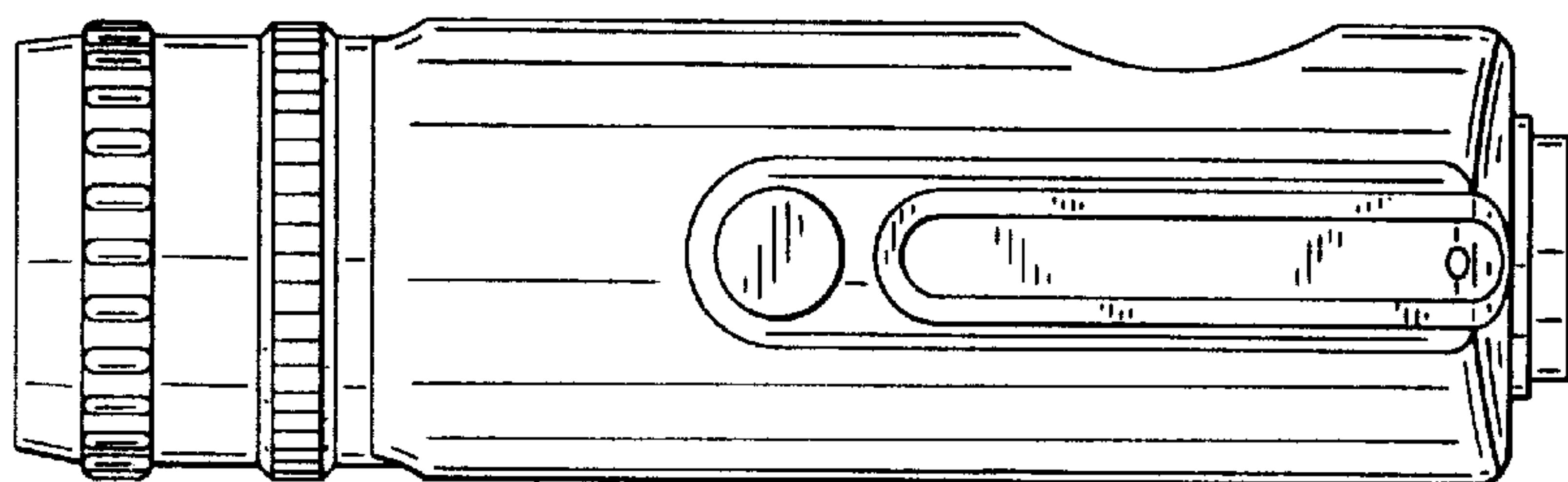


FIG. 14

