



US00D418847S

United States Patent [19]
Ichihara

[11] **Patent Number: Des. 418,847**

[45] **Date of Patent: ** Jan. 11, 2000**

[54] **BEARING UNIT**

4,443,044 4/1984 Cain et al. 384/428

[76] Inventor: **Takashi Ichihara**, 16, Hondacho
2-chome, Midori-ku, Chiba-shi, Chiba,
Japan

Primary Examiner—Antoine Duval Davis
Attorney, Agent, or Firm—Sughrue, Mion, Zinn, Macpeak
& Seas, PLLC

[**] Term: **14 Years**

[57] **CLAIM**

[21] Appl. No.: **29/104,344**

The ornamental design for a bearing unit, as shown and described.

[22] Filed: **Apr. 28, 1999**

DESCRIPTION

[30] **Foreign Application Priority Data**

Nov. 6, 1998 [JP] Japan 10-32101
Nov. 6, 1998 [JP] Japan 10-32102

FIG. 1 is a perspective view of top and one side of a bearing unit showing my new design according to a first embodiment;
FIG. 2 is a top plan view thereof;
FIG. 3 is a side elevational view of said one side thereof, the other three side elevational views being identical thereto;
FIG. 4 is a bottom plan view thereof;
FIG. 5 is a perspective view similar to FIG. 1 according to a second embodiment thereof;
FIG. 6 is a top plan view thereof; and,
FIG. 7 is a bottom plan view thereof.
The side elevational views of the second embodiment are identical to those of the first embodiment.

[51] **LOC (7) Cl.** **15-09**

[52] **U.S. Cl.** **D15/143**

[58] **Field of Search** D15/143; 384/412,
384/428, 537

[56] **References Cited**

U.S. PATENT DOCUMENTS

Re. 30,461 12/1980 Bogar et al. 384/428
D. 371,138 6/1996 Waskiewicz D15/143 X
D. 383,965 9/1997 Ichihara D15/143

1 Claim, 4 Drawing Sheets

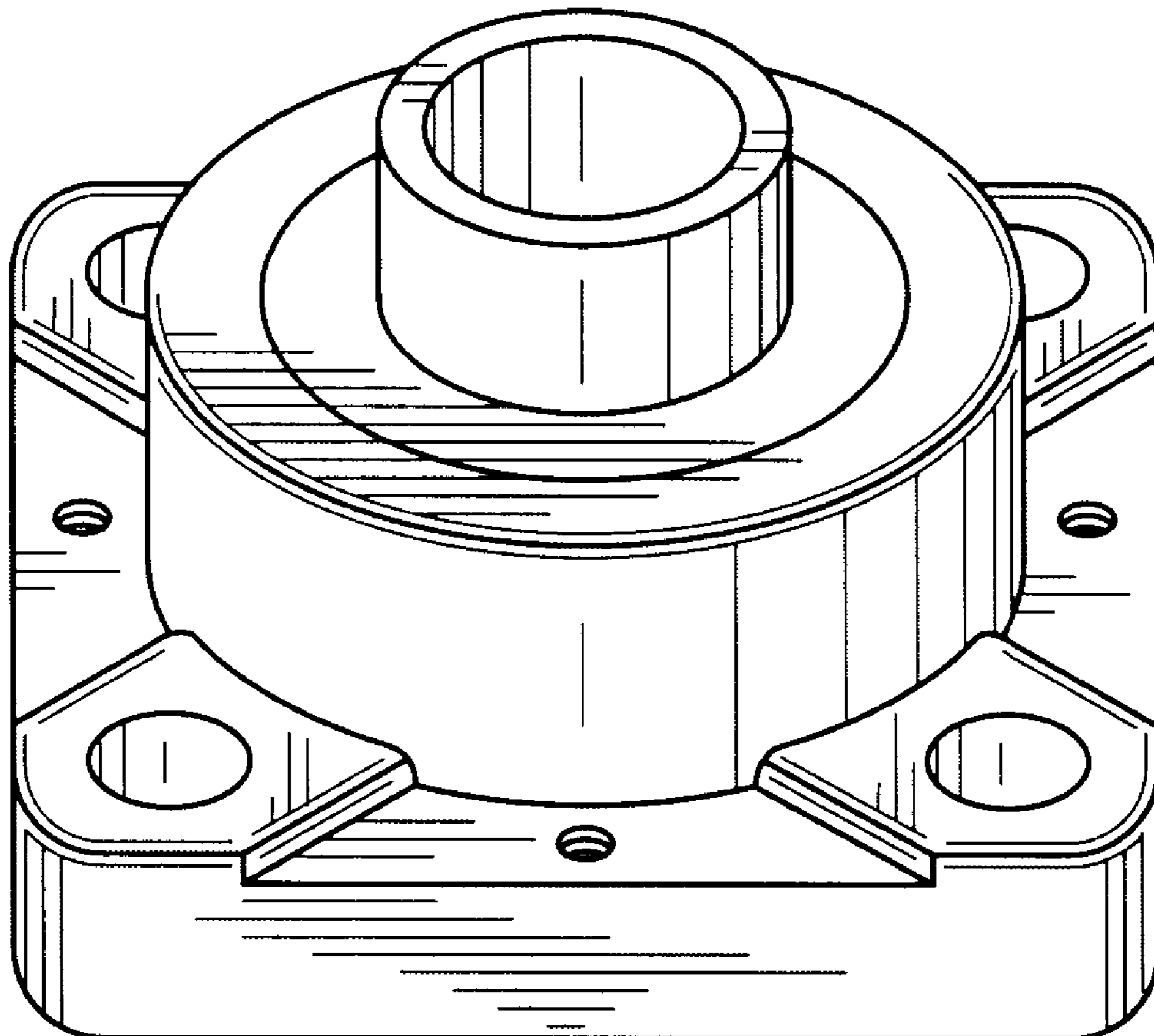
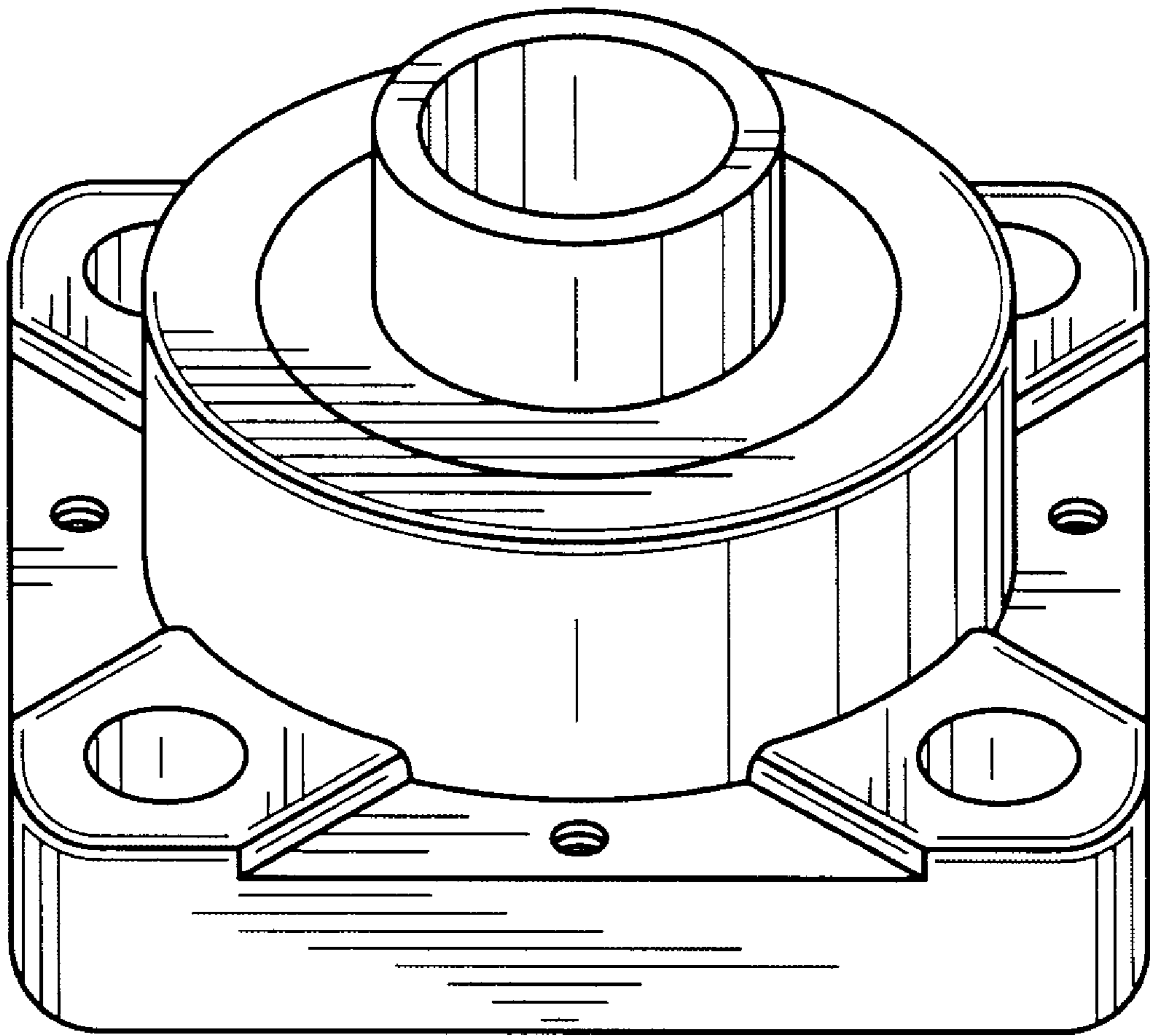


FIG. 1



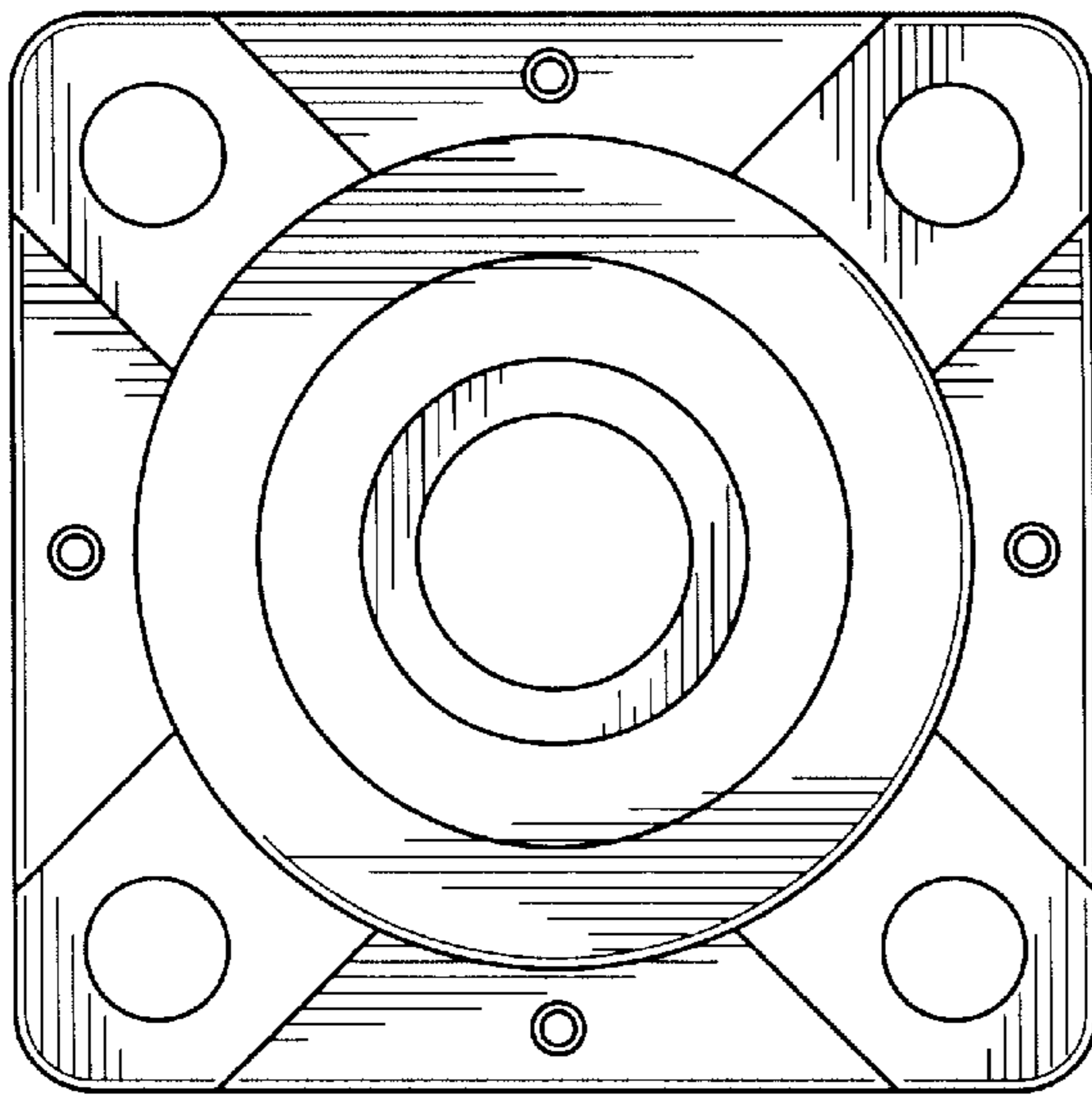


FIG. 2

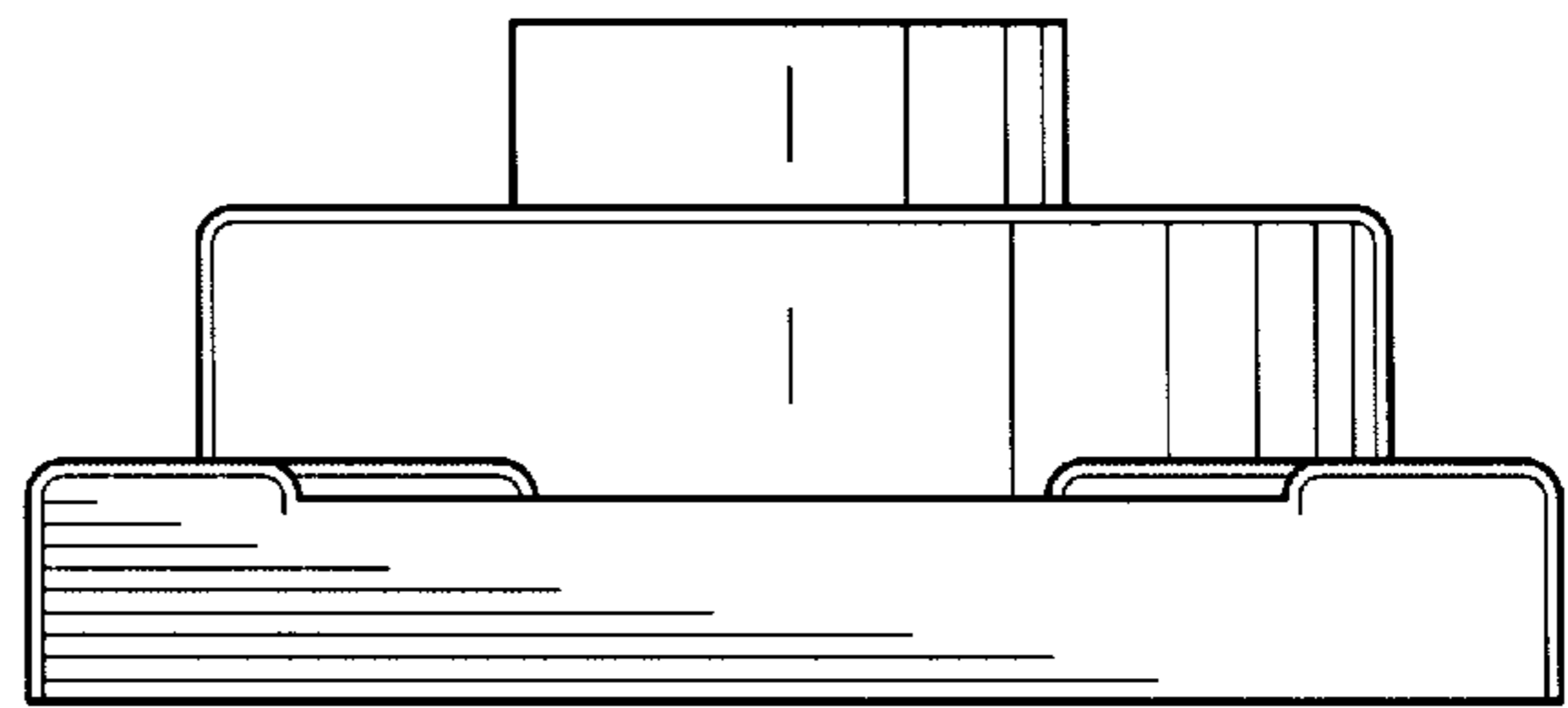


FIG. 3

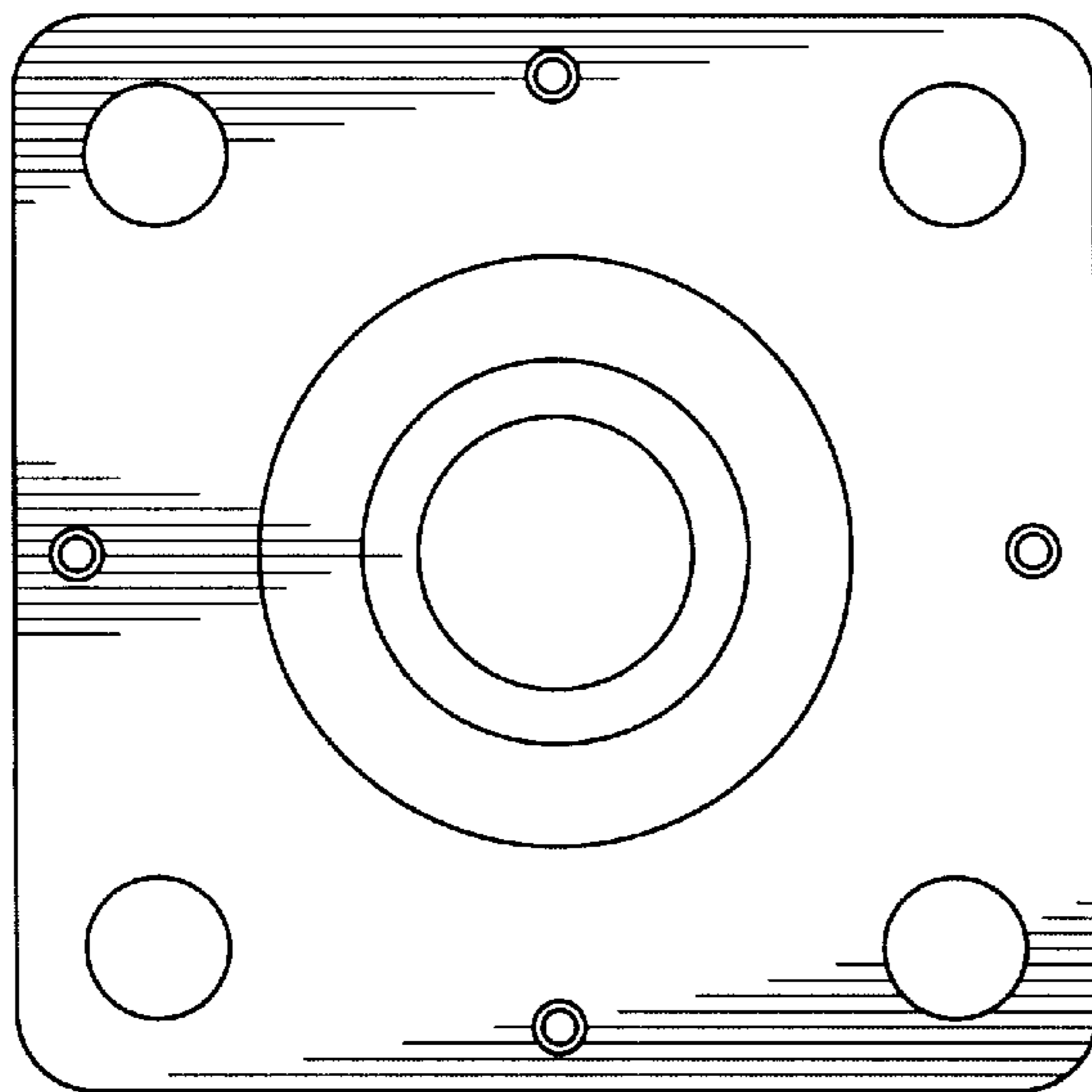
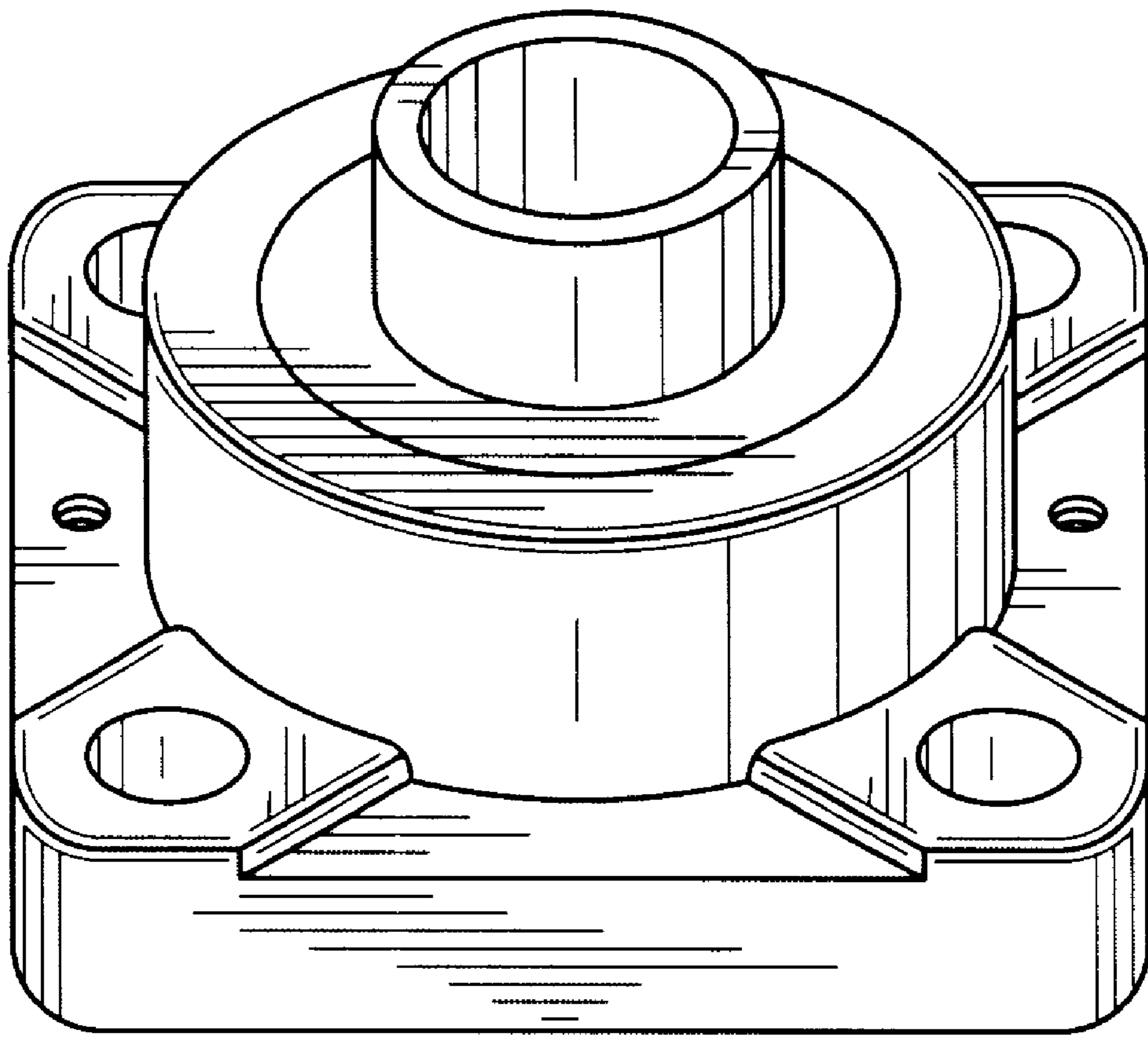


FIG. 4

FIG. 5



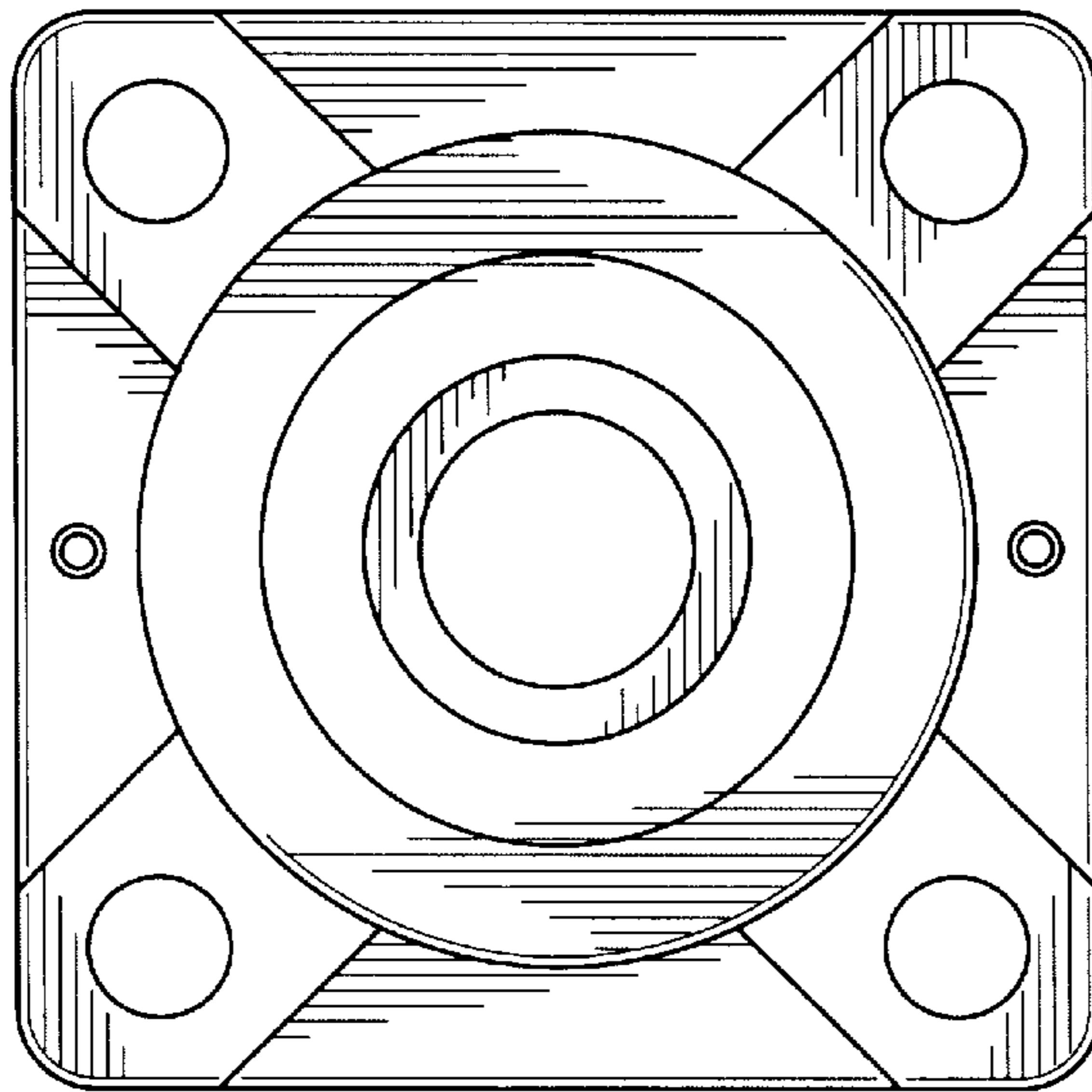


FIG. 6

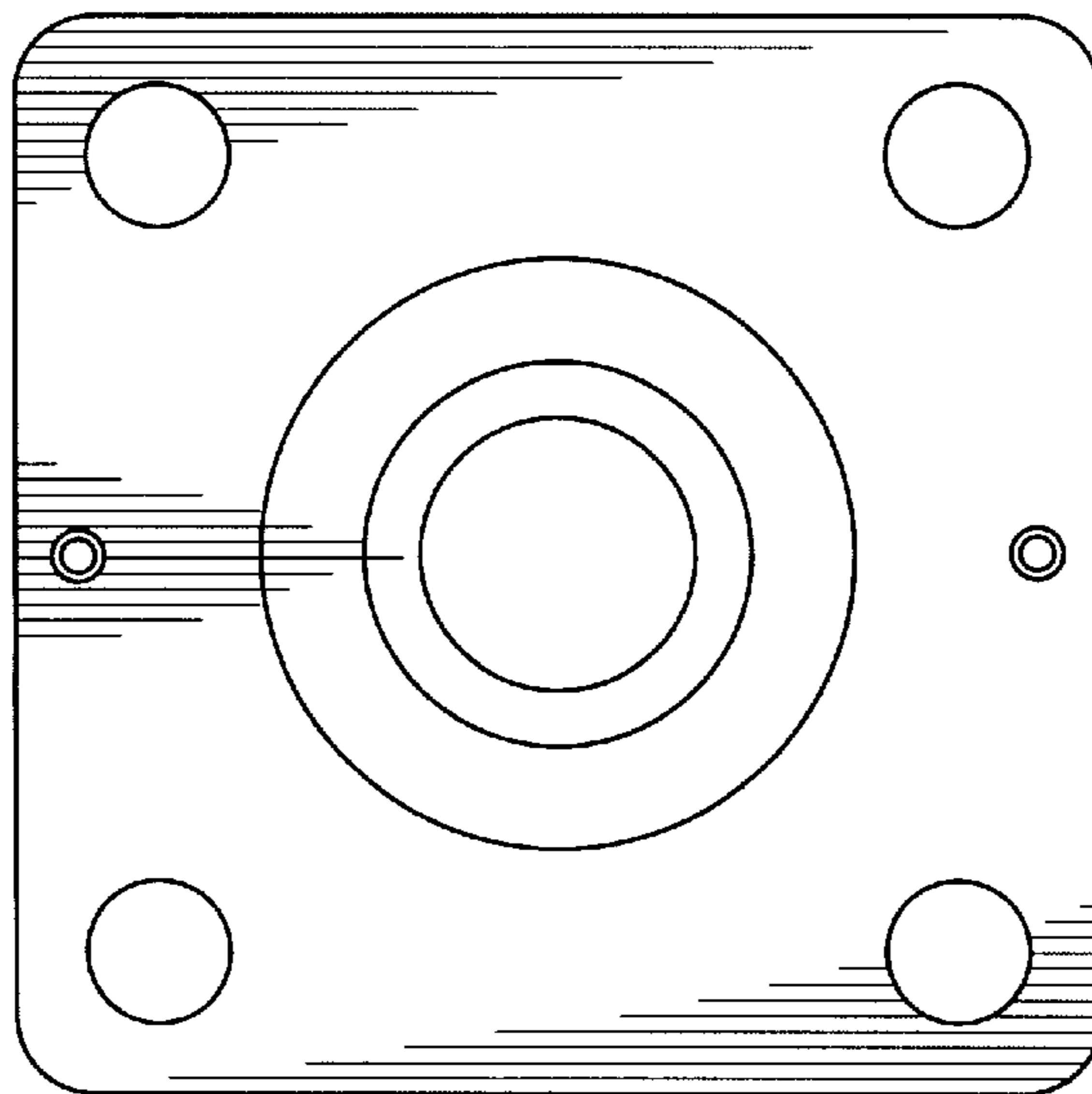


FIG. 7