



US00D418846S

United States Patent [19]
Chen

[11] **Patent Number: Des. 418,846**

[45] **Date of Patent: ** Jan. 11, 2000**

[54] **BRICK CUTTER**

Primary Examiner—Antoine Duval Davis

[76] Inventor: **Yuehting Chen**, No. 56, Min Sheng Street, Feng-Yuan City 420, Taiwan

[57] **CLAIM**

The ornamental design for brick cutter, as shown.

[**] Term: **14 Years**

DESCRIPTION

[21] Appl. No.: **29/096,565**

FIG. 1 is a perspective view of the present design.

[22] Filed: **Nov. 16, 1998**

FIG. 2 is a front view of the present design.

[51] **LOC (7) Cl.** **15-09**

FIG. 3 is a left side view of the present design.

[52] **U.S. Cl.** **D15/127; D15/133**

FIG. 4 is a right side view of the present design.

[58] **Field of Search** **D15/127, 133; 83/13, 168, 425.3, 435, 435.2, 620, 651.1, 23, 56, 155.1, 427**

FIG. 5 is a rear view of the present design.

FIG. 6 is a top view of the present design; and,

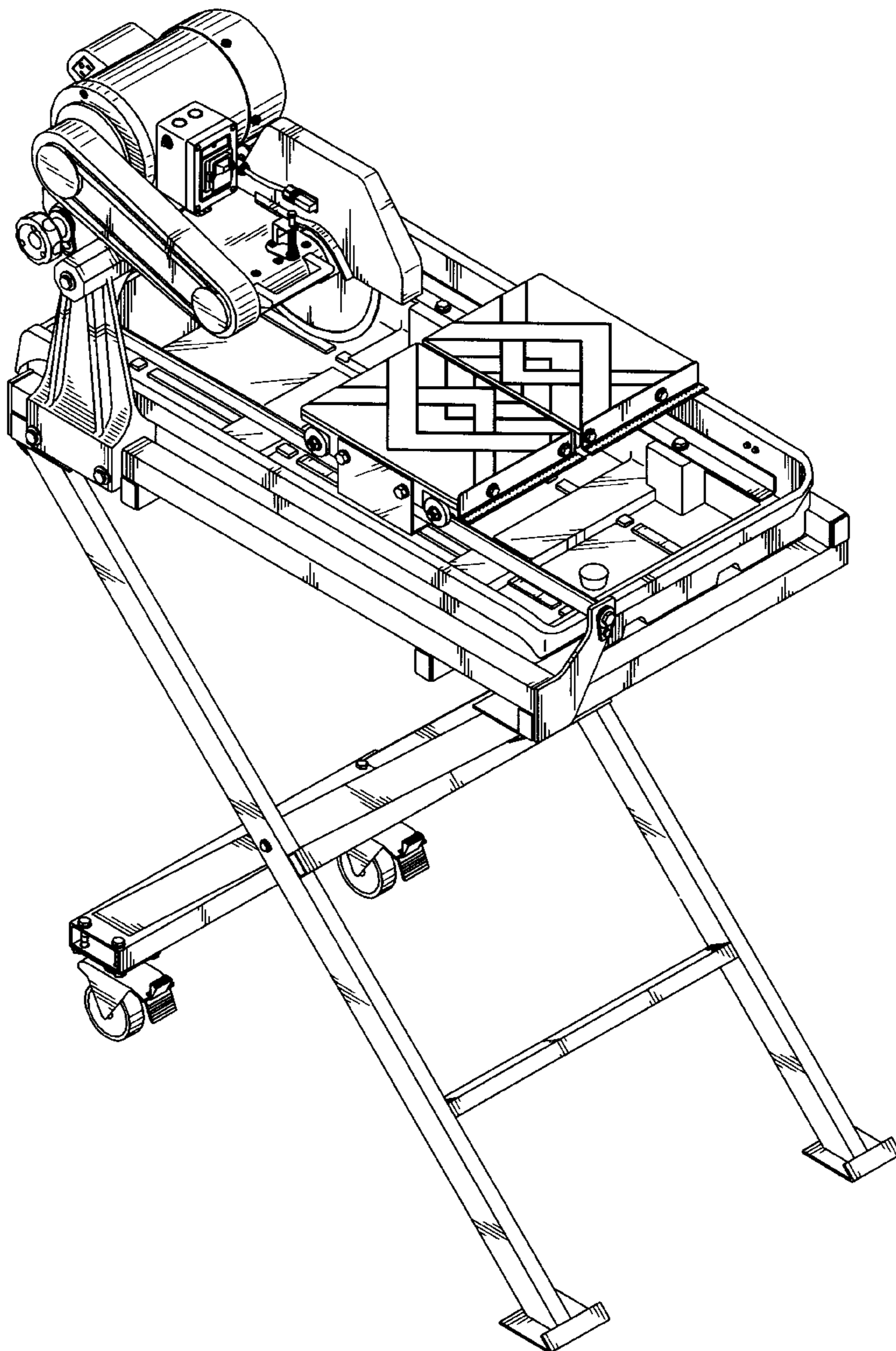
FIG. 7 is a bottom view of the present design.

[56] **References Cited**

U.S. PATENT DOCUMENTS

5,881,619 3/1999 Fregien et al. 83/13

1 Claim, 6 Drawing Sheets



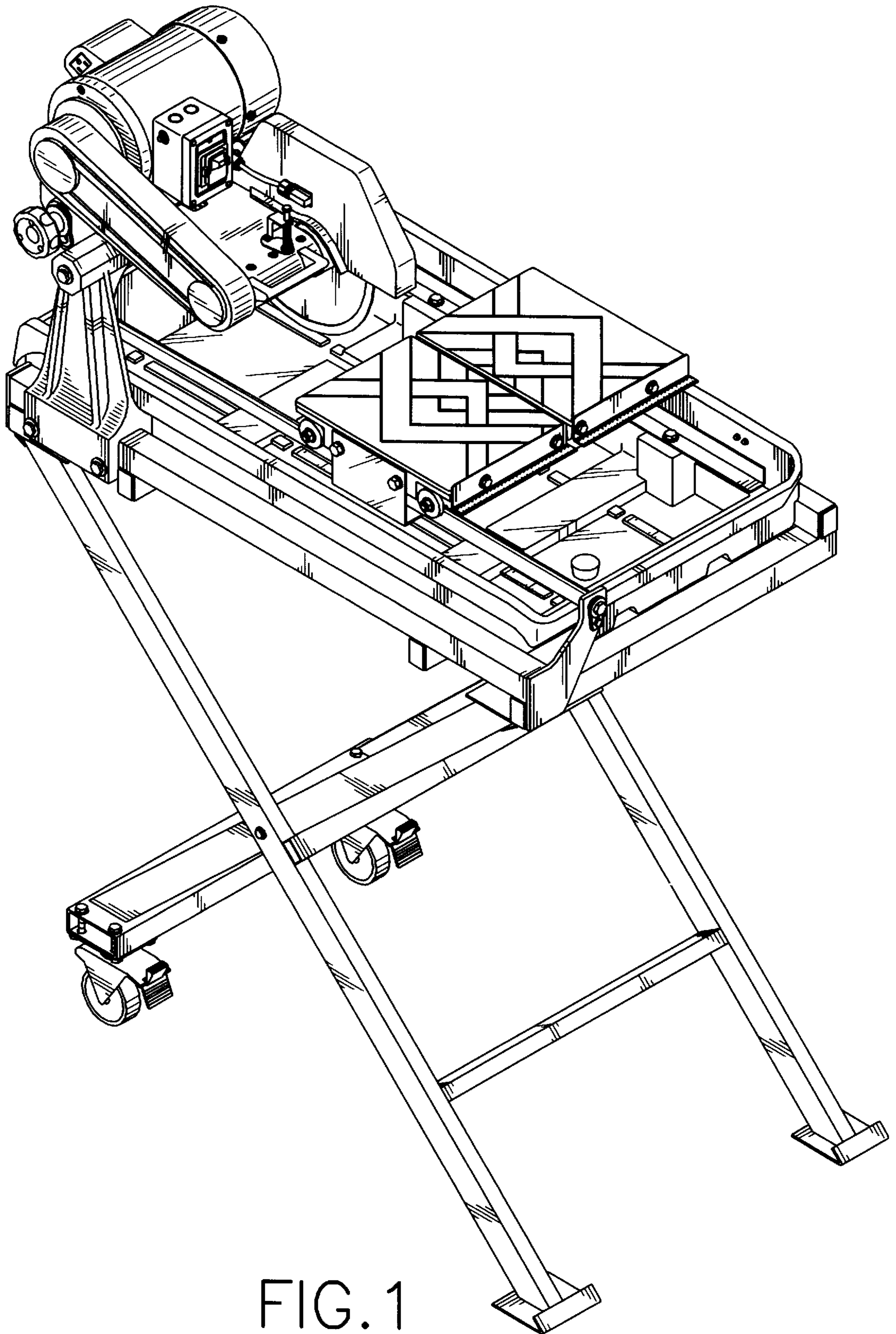


FIG. 1

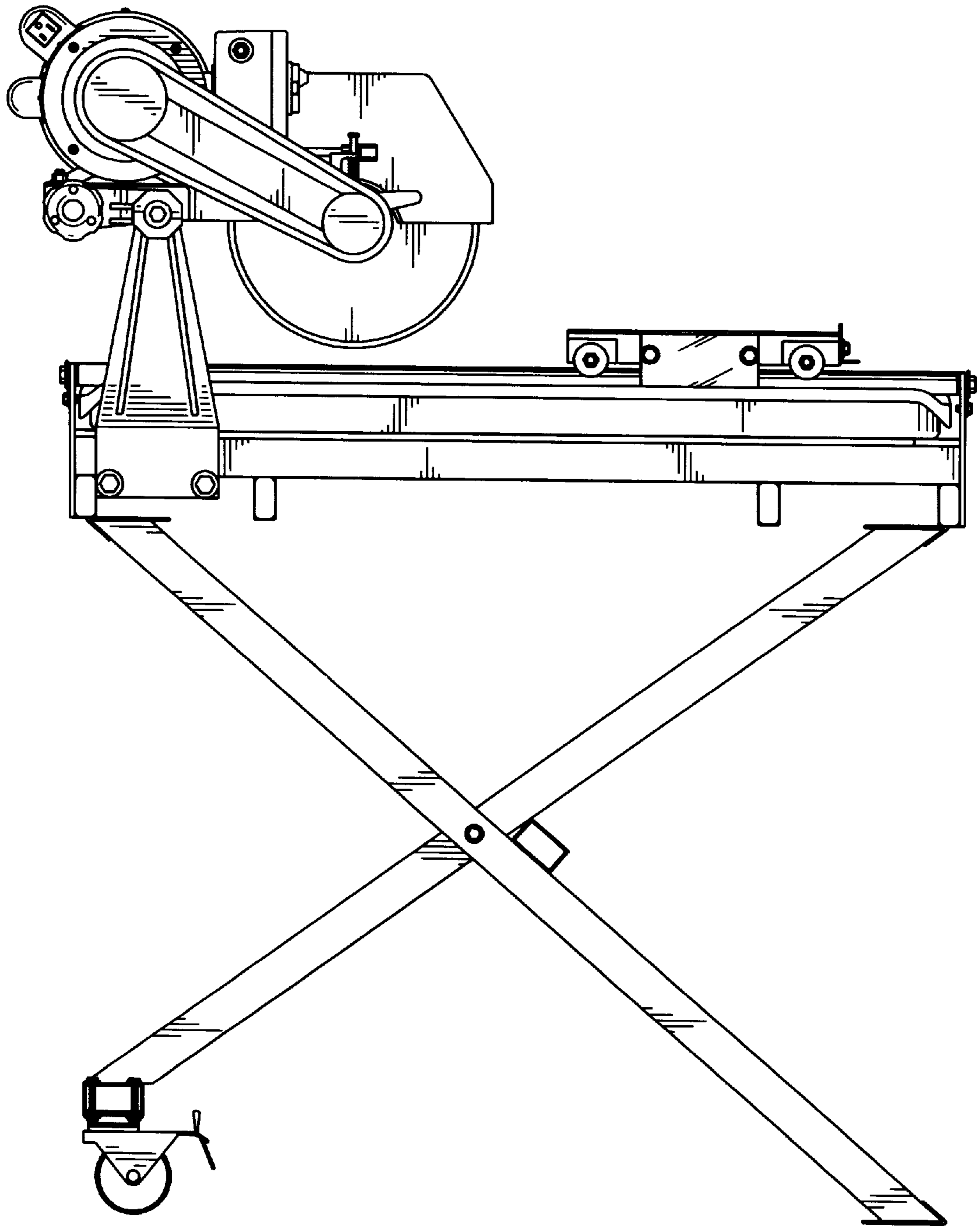


FIG. 2

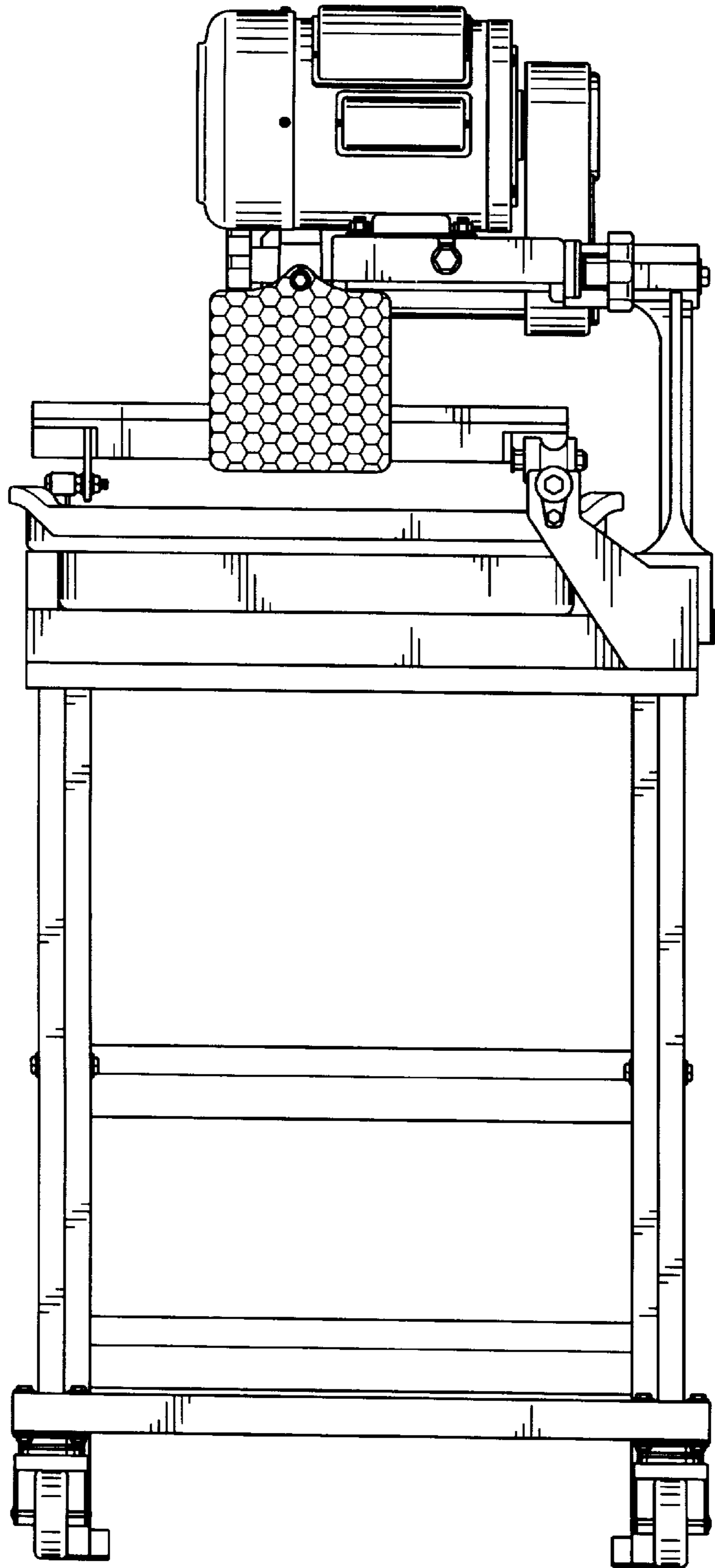


FIG. 3

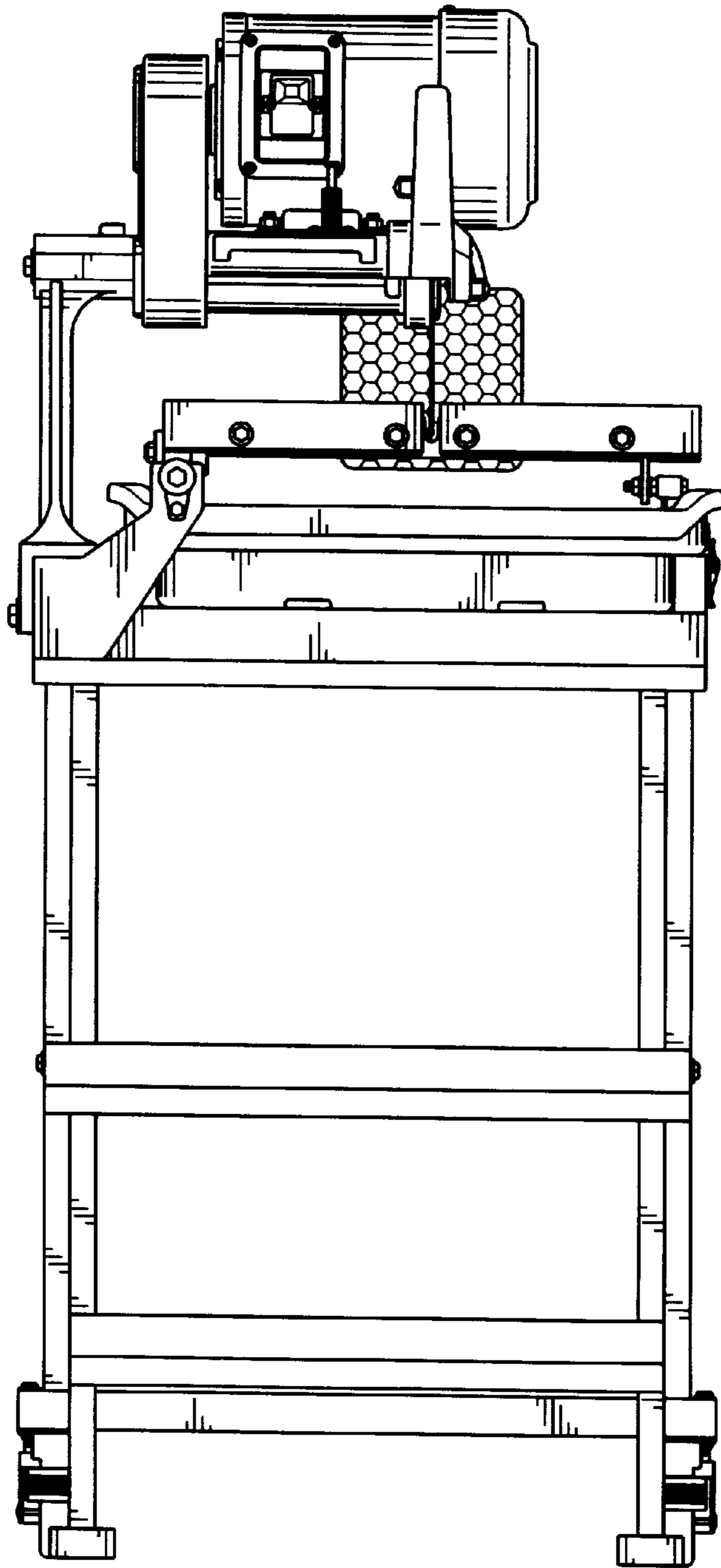


FIG. 4

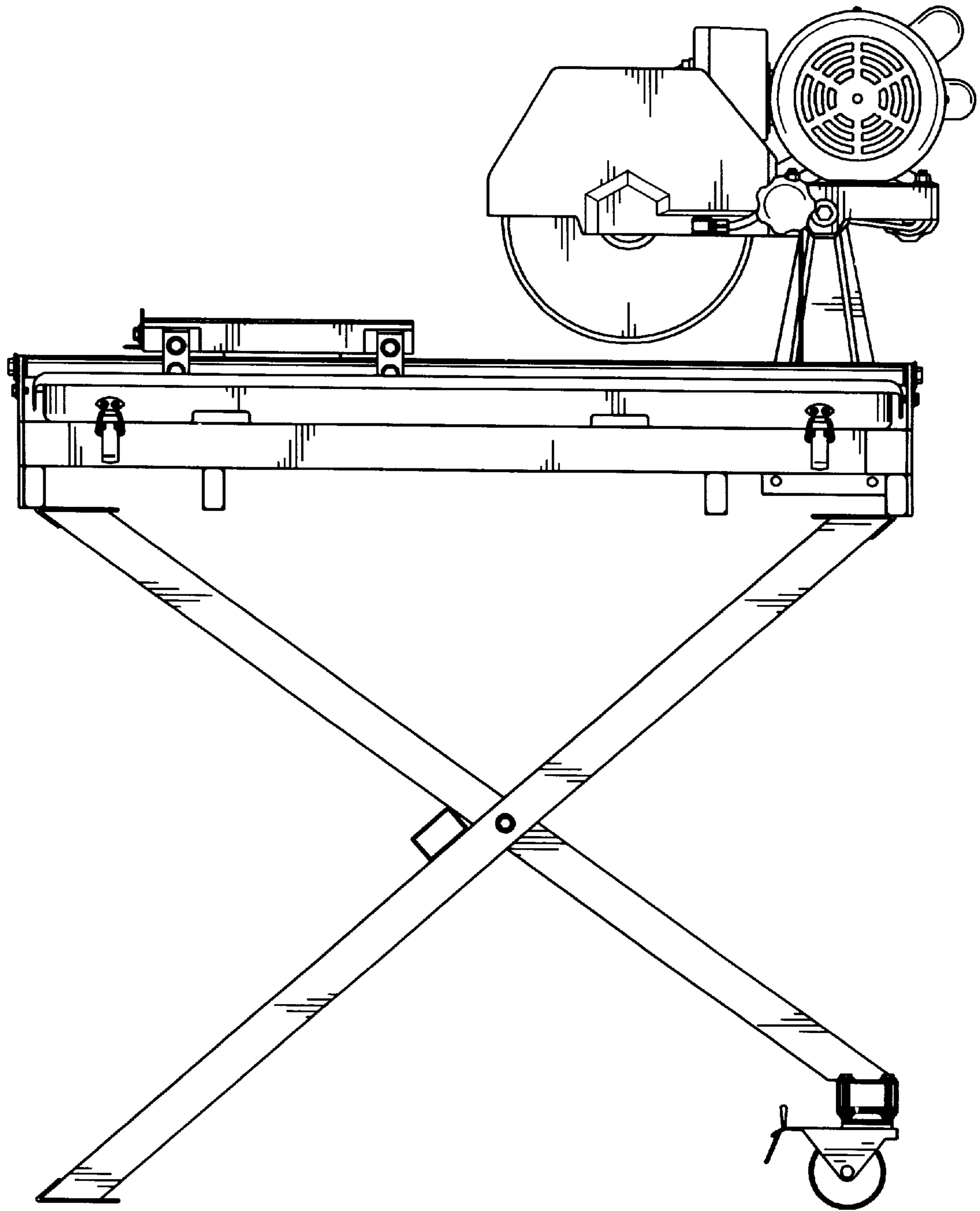


FIG. 5

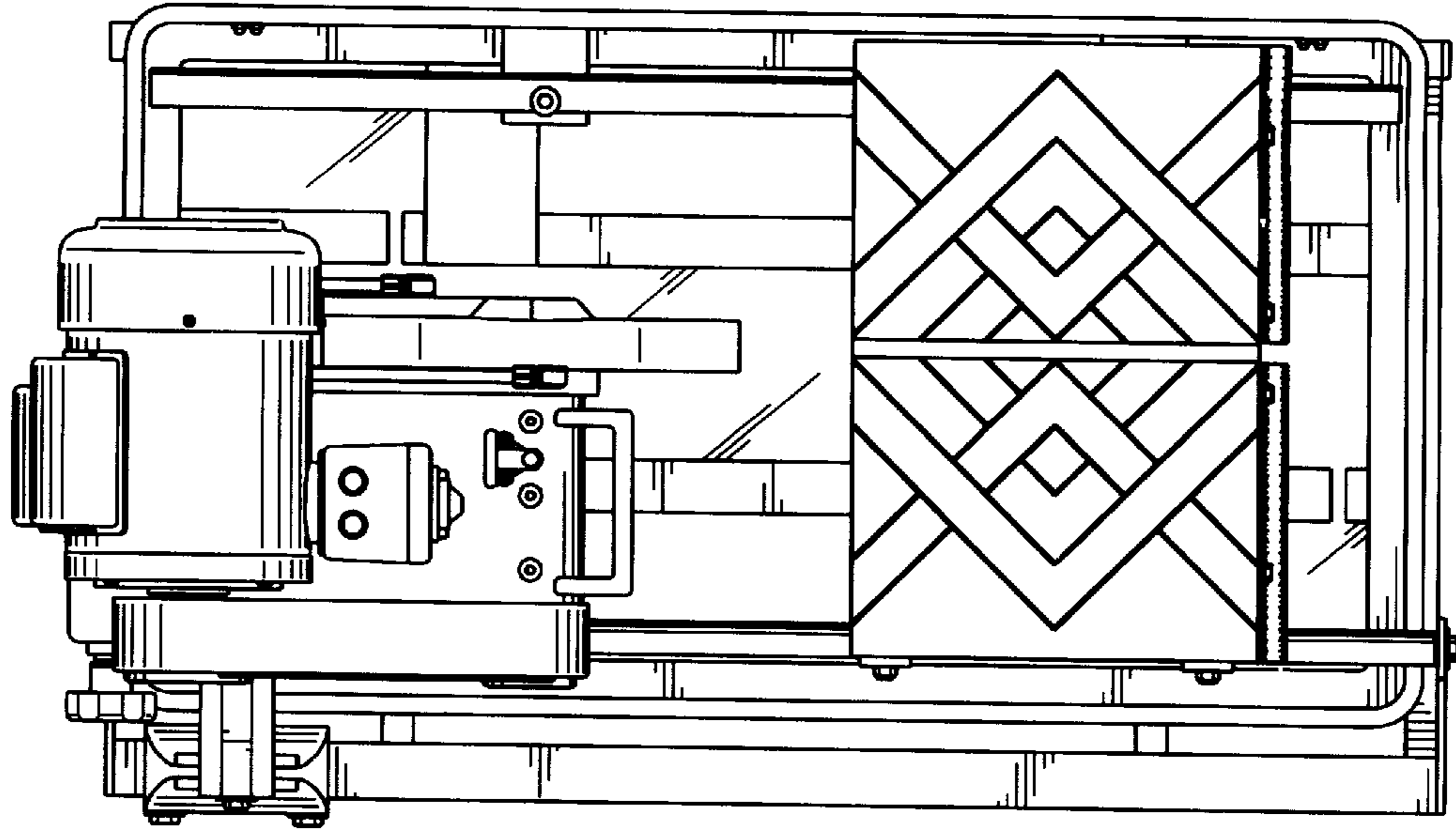


FIG. 6

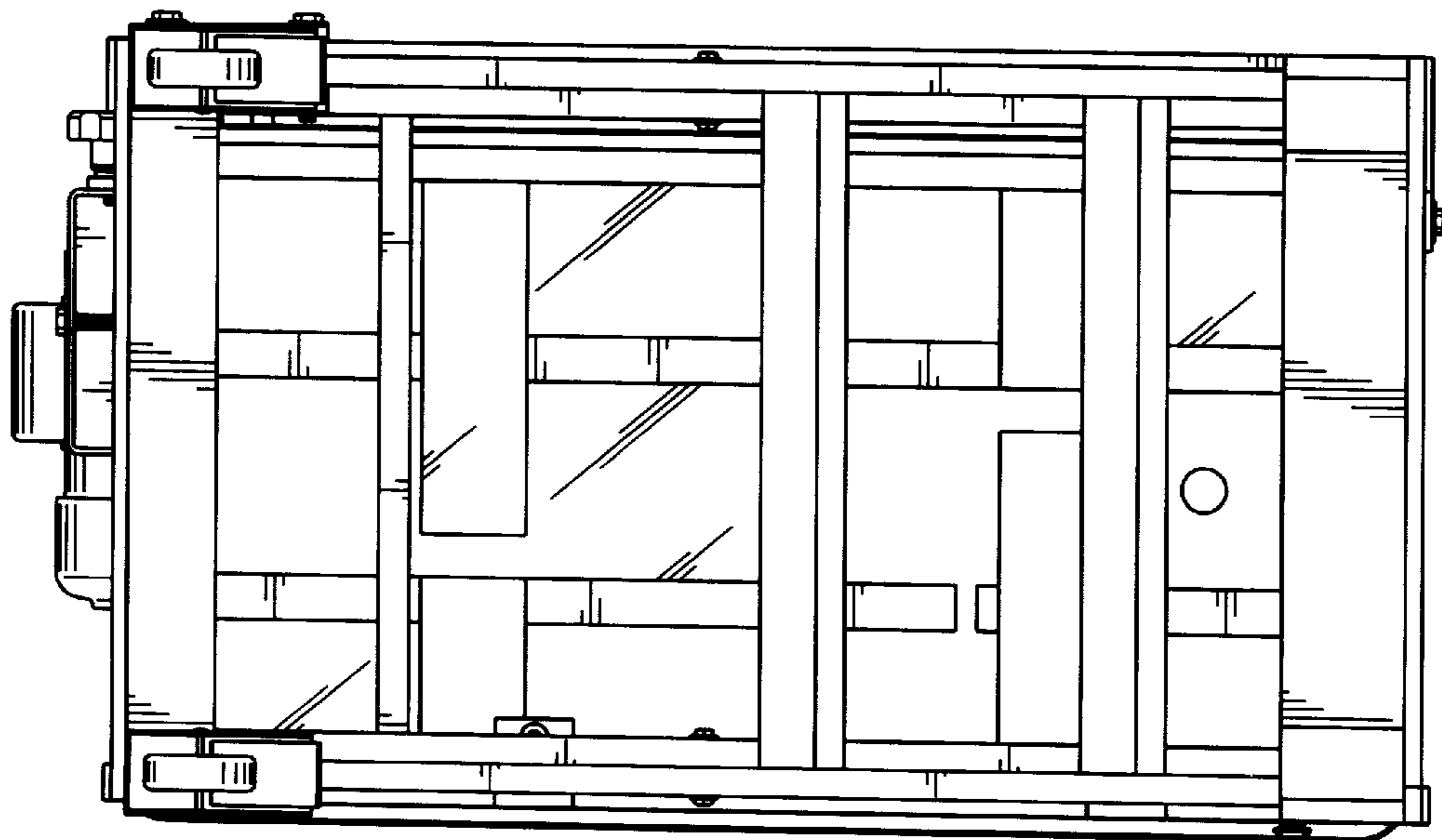


FIG. 7